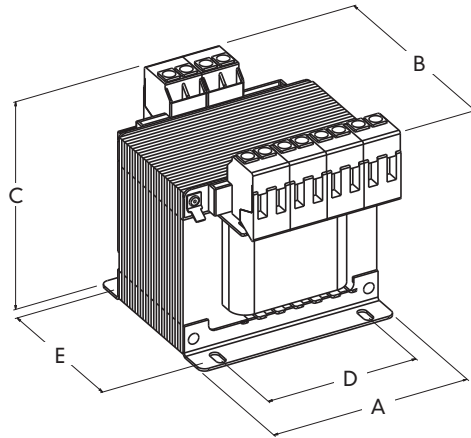


www.meth.it

SINGLE-PHASE UNIVERSAL TRANSFORMERS - CLASS B

INPUT: 208-230-380-400-415-440-460-480-500-525-550V
OUTPUT: 2x12V or 2x115V

Universal input voltage single-phase isolating and safety transformers



TECHNICAL DATA

CODE	POWER	DIMENSIONS (mm)					WEIGHT
	VA	A	B	C	D	E	Kg
T1U-100	100	86	94	96	64	64	2
T1U-150	150	96	92	105	84	75	2,6
T1U-250	250	121	95	125	90	70	3,6
T1U-400	400	121	115	125	90	90	5,7
T1U-500	500	121	135	125	90	110	7
T1U-630	630	151	117	140	120	90	7,4
T1U-800	800	151	137	140	120	110	9,8
T1U-1000	1000	151	157	140	120	130	12,1

METH s.a.s. reserves the right to make changes without notice

TECHNICAL SPECIFICATIONS

Single-phase transformers with:

- primary: 208-230-380-400-415-440-460-480-500-525-550V
- secondary: 2x12V or 2x115V

METH S.A.S. di Lamon Silvio

Via Fondovilla, 84/F - 36010 Carrè (VI) - Italy - tel +39.0445.891799 - fax +39.0445.891841
export@meth.it - www.meth.it

www.ilsegno.it