

# STAINLESS STEEL SOLUTIONS



- AISI 304L stainless steel solutions (AISI 316L upon request)
- suite enclosures ARETX and EGOX
- monobloc cabinets ATB8X and compact enclosures CSX
- PC and modular enclosures
- automation and terminal boxes with sloped roof
- monobloc and modular control desks

# ARETA STAINLESS STEEL



## MAIN ACCESSORIES



ATPA front inserted mounting plate (page 184)  
alternatively ATPL side inserted mounting plate  
(page 186)



ATFX side panels (page 187)



ATZX modular plinth (page 188)



eyebolts (page 190)



lifting brackets (page 190)

## CHARACTERISTICS

### STRUCTURE

- Rails are made up of unique closed profile manufactured from 15/10 AISI 304L stainless steel.
- The frame corners are manufactured with orthogonal joints in AISI 304L stainless steel, laser welded to the rails.
- Only 8 high resistance screws in stainless steel are necessary to mount the structure, while two position pins allow the easy mounting of the two parts of the joint.
- Doors manufactured from 20/10 AISI 304L (AISI 316L on request) satin stainless steel with tubular stiffening frame.
- Hinges are made in zinc alloy, chrome plated, open 180° (hinges manufactured from AISI 316L stainless steel on request).
- Rear panel manufactured from 15/10 AISI 304L (AISI 316L on request) satin stainless steel.
- Roof manufactured from 15/10 AISI 304L (AISI 316L on request) satin stainless steel.
- Bottom manufactured from 15/10 AISI 304L (AISI 316L on request) satin stainless steel.

### DELIVERY

- structure
- door complete with Ø 3mm double bar locking system
- rear panel
- removable roof
- bottom with removable cable entry.

### CONFORMITY AND APPROVAL

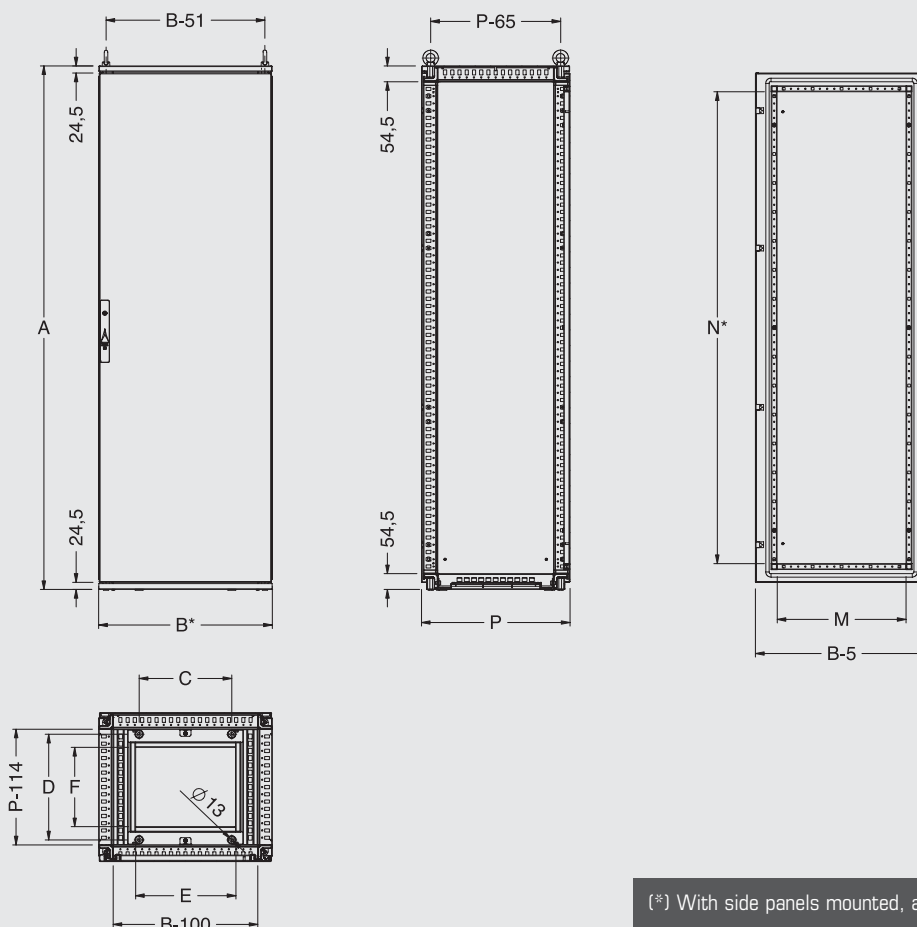


RINA

### PROTECTION RATINGS

- IP 55 complying with IEC EN62208; EN60529
- NEMA 12 complying with UL508A; UL50
- impact resistance IK10 complying with IEC EN62208; EN50102.

ARETA STAINLESS STEEL SINGLE BLANK DOOR



(\*): With side panels mounted, add 16mm.

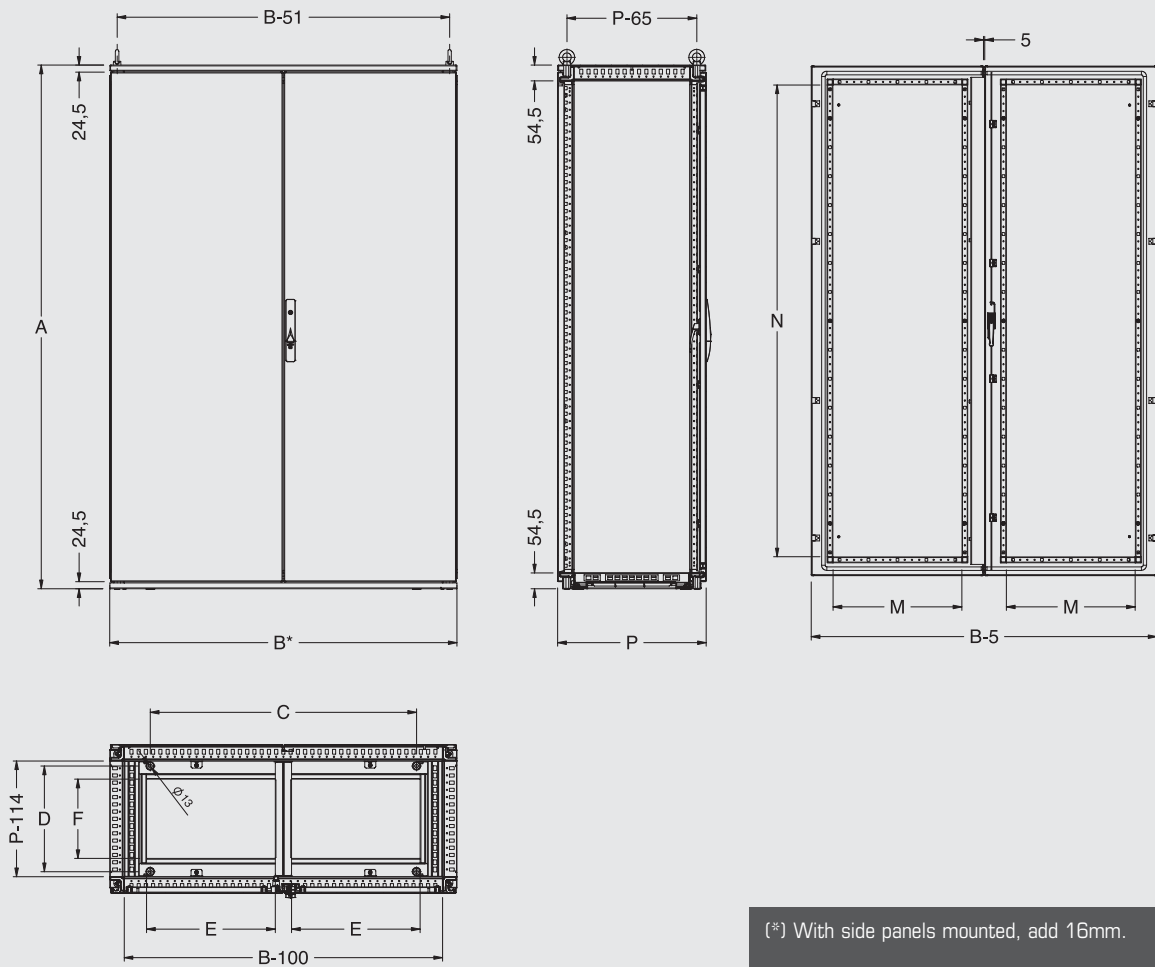
Door stiffening: for W=400 vertical rails only.

ARETA STAINLESS STEEL SINGLE BLANK DOOR

ARETX CODE	DIMENSIONS			CABINET DIMENSIONS			FLOOR FIXING		CABLE ENTRY		DOOR SPACE	
	WIDTH	HEIGHT	DEPTH	B*	A	P	C	D	E	F	M	N
ARETX-061804PR	600	1800	400	600	1809	414	320	265	345	174	445	1630
ARETX-061805PR	600	1800	500	600	1809	514	320	365	345	274	445	1630
ARETX-062005PR	600	2000	500	600	2009	514	320	365	345	274	445	1830
ARETX-062006PR	600	2000	600	600	2009	614	320	465	345	374	445	1830
ARETX-081804PR	800	1800	400	800	1809	414	520	265	545	174	645	1630
ARETX-081805PR	800	1800	500	800	1809	514	520	365	545	274	645	1630
ARETX-082005PR	800	2000	500	800	2009	514	520	365	545	274	645	1830
ARETX-082006PR	800	2000	600	800	2009	614	520	465	545	374	645	1830
ARETX-101805PR	1000	1800	500	1000	1809	514	720	365	745	274	845	1630
ARETX-101806PR	1000	1800	600	1000	1809	614	720	465	745	374	845	1630
ARETX-102005PR	1000	2000	500	1000	2009	514	720	365	745	274	845	1830
ARETX-102006PR	1000	2000	600	1000	2009	614	720	465	745	374	845	1830

To order a stainless steel enclosure in high grade AISI 316L, add the suffix "H" to the code. I.E.: ARETX-082005PRH.

# ARETA STAINLESS STEEL DOUBLE BLANK DOOR



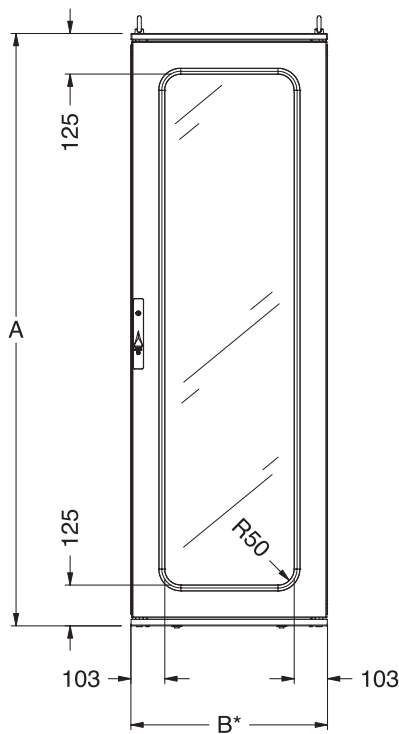
(\*) With side panels mounted, add 16mm.

## ARETA STAINLESS STEEL DOUBLE BLANK DOOR

ARETX CODE	DIMENSIONS			CABINET DIMENSIONS			FLOOR FIXING	CABLE ENTRY		DOOR SPACE		
	WIDTH	HEIGHT	DEPTH	B*	A	P	C	D	E	F	M	N
ARETX-121804PR	1200	1800	400	1200	1809	414	920	265	445	174	445	1630
ARETX-121805PR	1200	1800	500	1200	1809	514	920	365	445	274	445	1630
ARETX-122005PR	1200	2000	500	1200	2009	514	920	365	445	274	445	1830
ARETX-122006PR	1200	2000	600	1200	2009	614	920	465	445	374	445	1830

To order a stainless steel enclosure in high grade AISI 316L, add the suffix "H" to the code. I.E.: ARETX-122005PRH.

# ARETA STAINLESS STEEL WITH GLAZED DOOR



## CHARACTERISTICS

### STRUCTURE

- Rails are made up of unique closed profile manufactured from 15/10 AISI 304L stainless steel.
- The frame corners are manufactured with orthogonal joints in AISI 304L stainless steel, laser welded to the rails.
- Only 8 high resistance screws in stainless steel are necessary to mount the structure, while two position pins allow the easy mounting of the two parts of the joint.
- Door manufactured in 20/10 AISI 304L (AISI 316L on request) satin stainless steel with stiffening frame and plexiglas viewing window.
- Hinges are made in zinc alloy, chrome plated (hinges manufactured from AISI 316L stainless steel on request).
- Rear panel manufactured from 15/10 AISI 304L (AISI 316L on request) satin stainless steel.
- Roof manufactured from 15/10 AISI 304L (AISI 316L on request) satin stainless steel.
- Bottom manufactured from 15/10 AISI 304L (AISI 316L on request) satin stainless steel.

### DELIVERY

- structure
- door with plexiglas complete with  $\varnothing$  3mm double bar locking system
- hinges in zinc alloy, chrome plated
- rear panel
- removable roof
- bottom with removable cable entry.

### CONFORMITY AND APPROVAL



### PROTECTION RATINGS

- IP 54 complying with IEC EN62208; EN60529
- NEMA 12 complying with UL508A; UL50
- impact resistance IK10 complying with IEC EN62208; EN50102.

To be ordered separately:

- eyebolts and/or lifting brackets (see page 190).

## ARETA STAINLESS STEEL WITH GLAZED DOOR

ARETX CODE	CABINET DIMENSIONS			B*	A
	WIDTH	HEIGHT	DEPTH		
ARETX-061804PX	600	1809	414	600	1809
ARETX-061805PX	600	1809	514	600	1809
ARETX-062005PX	600	2009	514	600	2009
ARETX-062006PX	600	2009	614	600	2009
ARETX-081804PX	800	1809	414	800	1809
ARETX-081805PX	800	1809	514	800	1809
ARETX-082005PX	800	2009	514	800	2009
ARETX-082006PX	800	2009	614	800	2009
ARETX-101805PX	1000	1809	514	1000	1809
ARETX-101806PX	1000	1809	614	1000	1809
ARETX-102005PX	1000	2009	514	1000	2009
ARETX-102006PX	1000	2009	614	1000	2009

(\* ) With side panels mounted, add 16mm.

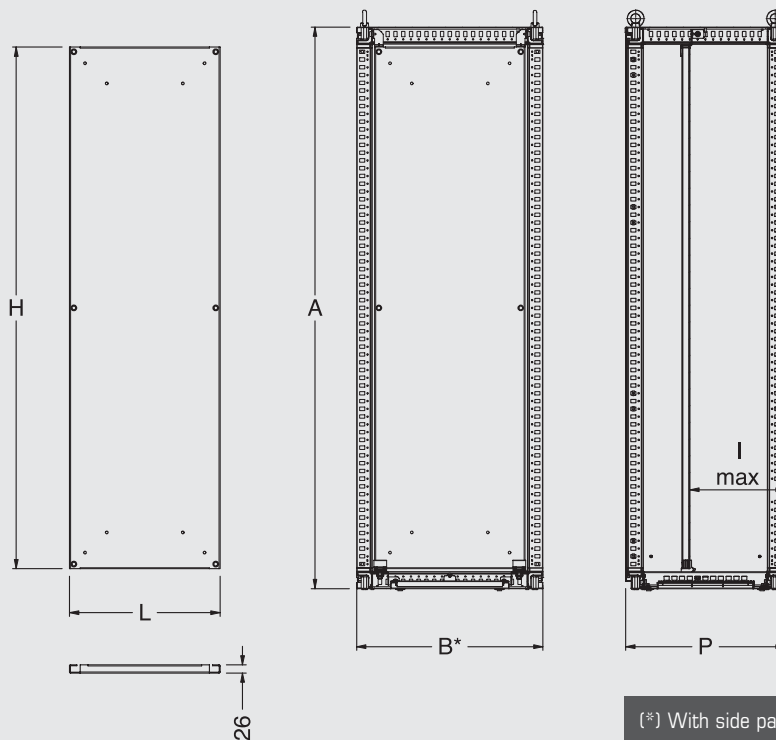
To order a stainless steel enclosure in high grade AISI 316L, add the suffix "H" to the code. I.E.: ARETX-082005PXH.

# ARETA STAINLESS STEEL COMPLEMENTARY ACCESSORIES



## FRONT INSERTED MOUNTING PLATE ATPA

Manufactured from sendzimir sheet steel  
- thickness 25/10 for  $L < 1000$   
- thickness 30/10 for  $L \geq 1000$ .



(\*) With side panels mounted, add 16mm.

## ATPA MOUNTING PLATE W=600

ATPA CODE	CABINET DIMENSIONS			MOUNTING PLATE		
	B	A	P	L	H	I (max)
ATPA-060180	600	1809	414	485	1680	350
ATPA-060180	600	1809	514	485	1680	450
ATPA-060180	600	1809	614	485	1680	550
ATPA-060180	600	1809	814	485	1680	750
ATPA-060200	600	2009	414	485	1880	350
ATPA-060200	600	2009	514	485	1880	450
ATPA-060200	600	2009	614	485	1880	550
ATPA-060200	600	2009	814	485	1880	750
ATPA-060200	600	2009	1014	485	1880	950

## ATPA MOUNTING PLATE W=1000

ATPA CODE	CABINET DIMENSIONS			MOUNTING PLATE		
	B	A	P	L	H	I (max)
ATPA-100180	1000	1809	414	885	1680	350
ATPA-100180	1000	1809	514	885	1680	450
ATPA-100180	1000	1809	614	885	1680	550
ATPA-100180	1000	1809	814	885	1680	750
ATPA-100200	1000	2009	414	885	1880	350
ATPA-100200	1000	2009	514	885	1880	450
ATPA-100200	1000	2009	614	885	1880	550
ATPA-100200	1000	2009	814	885	1880	750



## ATPA MOUNTING PLATE W=800

ATPA CODE	CABINET DIMENSIONS			MOUNTING PLATE		
	B	A	P	L	H	I (max)
ATPA-080180	800	1809	414	685	1680	350
ATPA-080180	800	1809	514	685	1680	450
ATPA-080180	800	1809	614	685	1680	550
ATPA-080180	800	1809	814	685	1680	750
ATPA-080200	800	2009	414	685	1880	350
ATPA-080200	800	2009	514	685	1880	450
ATPA-080200	800	2009	614	685	1880	550
ATPA-080200	800	2009	814	685	1880	750
ATPA-080200	800	2009	1014	685	1880	950

## ATPA MOUNTING PLATE W=1200

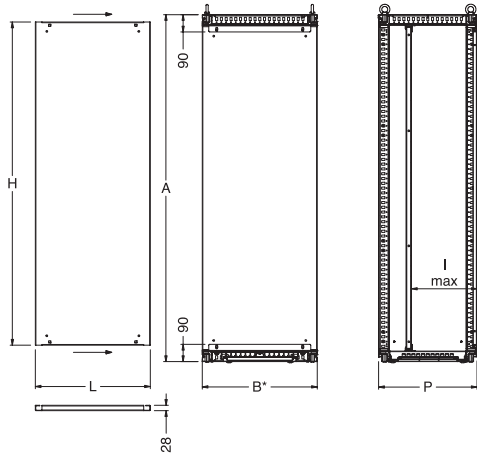
ATPA CODE	CABINET DIMENSIONS			MOUNTING PLATE		
	B	A	P	L	H	I (max)
ATPA-120180	1200	1809	414	1085	1680	350
ATPA-120180	1200	1809	514	1085	1680	450
ATPA-120180	1200	1809	614	1085	1680	550
ATPA-120180	1200	1809	814	1085	1680	750
ATPA-120200	1200	2009	414	1085	1880	350
ATPA-120200	1200	2009	514	1085	1880	450
ATPA-120200	1200	2009	614	1085	1880	550
ATPA-120200	1200	2009	814	1085	1880	750
ATPA-120200	1200	2009	1014	1085	1880	950

To be ordered separately:  
- mounting accessories: WTKB-002.

For the correct use and handling of the mounting plates,  
it is suggested to wear proper gloves  
(complying with the art. 41-42-43 of the decree 626/94).

## SIDE INSERTED MOUNTING PLATE ATPL

Manufactured from 25/10 sendzimir sheet steel.  
Supply includes mounting accessories and sliding guides.



(\* ) With side panels mounted, add 16mm.



### ATPL MOUNTING PLATE W=600

ATPL CODE	CABINET DIMENSIONS			MOUNTING PLATE		
	B	A	P	L	H	I (max)
ATPL-060180	600	1809	414	600	1685	315
ATPL-060180	600	1809	514	600	1685	415
ATPL-060180	600	1809	614	600	1685	515
ATPL-060180	600	1809	814	600	1685	715
ATPL-060200	600	2009	414	600	1885	315
ATPL-060200	600	2009	514	600	1885	415
ATPL-060200	600	2009	614	600	1885	515
ATPL-060200	600	2009	814	600	1885	715
ATPL-060200	600	2009	1014	600	1885	915

### ATPL MOUNTING PLATE W=1000

ATPL CODE	CABINET DIMENSIONS			MOUNTING PLATE		
	B	A	P	L	H	I (max)
ATPL-100180	1000	1809	414	1000	1685	315
ATPL-100180	1000	1809	514	1000	1685	415
ATPL-100180	1000	1809	614	1000	1685	515
ATPL-100180	1000	1809	814	1000	1685	715
ATPL-100200	1000	2009	414	1000	1885	315
ATPL-100200	1000	2009	514	1000	1885	415
ATPL-100200	1000	2009	614	1000	1885	515
ATPL-100200	1000	2009	814	1000	1885	715

For the correct use and handling of the mounting plates,  
it is suggested to wear proper gloves  
(complying with the art. 41-42-43 of the decree 626/94).

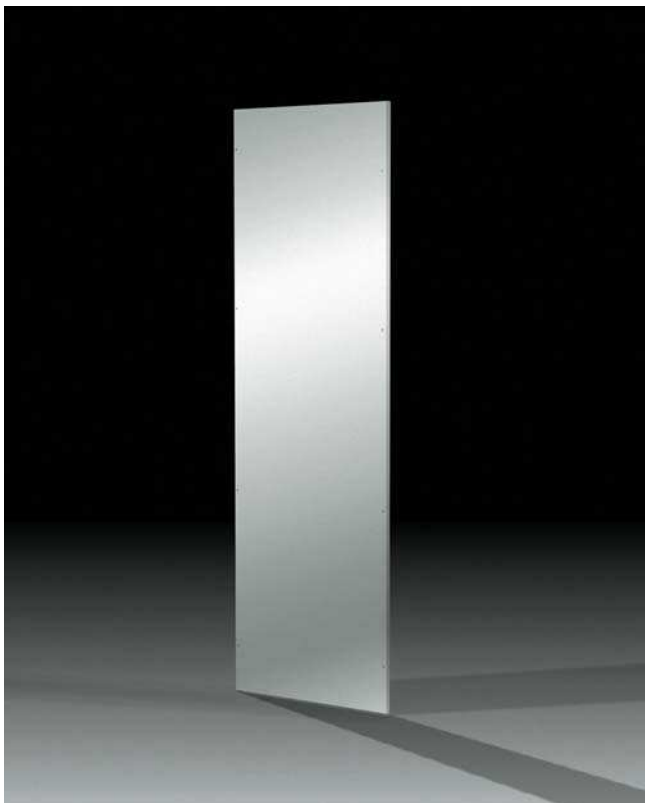
### ATPL MOUNTING PLATE W=800

ATPL CODE	CABINET DIMENSIONS			MOUNTING PLATE		
	B	A	P	L	H	I (max)
ATPL-080180	800	1809	414	800	1685	315
ATPL-080180	800	1809	514	800	1685	415
ATPL-080180	800	1809	614	800	1685	515
ATPL-080180	800	1809	814	800	1685	715
ATPL-080200	800	2009	414	800	1885	315
ATPL-080200	800	2009	514	800	1885	415
ATPL-080200	800	2009	614	800	1885	515
ATPL-080200	800	2009	814	800	1885	715
ATPL-080200	800	2009	1014	800	1885	915

### ATPL MOUNTING PLATE W=1200

ATPL CODE	CABINET DIMENSIONS			MOUNTING PLATE		
	B	A	P	L	H	I (max)
ATPL-120180	1200	1809	414	1200	1685	315
ATPL-120180	1200	1809	514	1200	1685	415
ATPL-120180	1200	1809	614	1200	1685	515
ATPL-120180	1200	1809	814	1200	1685	715
ATPL-120200	1200	2009	414	1200	1885	315
ATPL-120200	1200	2009	514	1200	1885	415
ATPL-120200	1200	2009	614	1200	1885	515
ATPL-120200	1200	2009	814	1200	1885	715
ATPL-120200	1200	2009	1014	1200	1885	915





**SIDE PANELS ATFX**

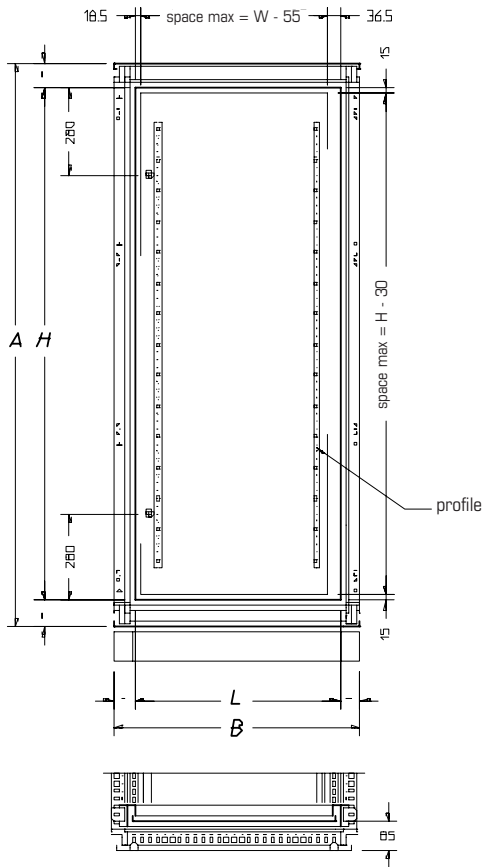
Manufactured from 15/10 press bent AISI 304L stainless steel (AISI 316L on request).

**DELIVERY**

- two side panels
- rapid fasten couplers
- mounting accessories.

SIDE PANELS		
ATFX CODE	CABINET DIMENSIONS	
	HEIGHT	DEPTH
ATFX-040180	1800	400
ATFX-050180	1800	500
ATFX-060180	1800	600
ATFX-050200	2000	500
ATFX-060200	2000	600

To order the item in high grade AISI 316L, add the suffix "H" to the code.  
I.E.: ATFX-050200H.



**INNER DOOR ATPIX**

Manufactured from 20/10 AISI 304L stainless steel material (AISI 316L on request) and supplied complete with vertical uprights and horizontal rails.

**DELIVERY**

- door complete with Ø 3mm double bar locking system
- hinges
- vertical uprights and horizontal rails
- mounting accessories.

INNER DOOR				
ATPIX CODE	CABINET DIMENSIONS		INNER DOOR	
	B	A	L	H
ATPIX-060180	600	1809	467	1667
ATPIX-060200	600	2009	467	1867
ATPIX-080180	800	1809	667	1667
ATPIX-080200	800	2009	667	1867
ATPIX-100180	1000	1809	867	1667
ATPIX-100200	1000	2009	867	1867

To order the item in high grade AISI 316L, add the suffix "H" to the code.  
I.E.: ATPIX-080200H.



### UNIVERSAL CORNER PIECES

ATZX CODE	DESCRIPTION
ATZX-A100	CORNER PIECES FOR PLINTH H=100
ATZX-A200	CORNER PIECES FOR PLINTH H=200

Supply includes 4 pieces with mounting accessories.

To order the corner pieces in high grade AISI 316L, add the suffix "H" to the code. I.E.: ATZX-A100H.

## MODULAR PLINTH ATZX

### CHARACTERISTICS

Corner pieces manufactured from 20/10 AISI 304L stainless steel (AISI 316L on request), with front covers made from stainless steel. Front/side crosspieces manufactured from 15/10 AISI 304L stainless steel (AISI 316L on request).

### DELIVERY

The modular plinth is made up of:

- corner pieces: supply includes 4 pieces complete with front covers and mounting hardware
- front crosspieces: supply includes 2 pieces
- side crosspieces: supply includes 2 pieces

### UNIVERSAL FRONT/SIDE CROSSPIECES ARETX

ATZX CODE	DESCRIPTION	CROSS. LENGTH (mm)
ATZX-T0400	FRONT CROSS. FOR PLINTH W=400	244
ATZX-T0500	FRONT CROSS. FOR PLINTH W=500	344
ATZX-T0600	FRONT CROSS. FOR PLINTH W=600	444
ATZX-T0800	FRONT CROSS. FOR PLINTH W=800	644
ATZX-T1000	FRONT CROSS. FOR PLINTH W=1000	844
ATZX-T1200	FRONT CROSS. FOR PLINTH W=1200	1044

Supply includes 2 pieces.

To order the front/side crosspieces H=200, add the suffix "D" to the code. I.E.: ATZX-T0400D.  
To order the front/side crosspieces in high grade AISI 316L, add the suffix "H" to the code. I.E.: ATZX-T0400H.

**Note: for more information, assembly drawings and dimensional features, please check on page 217.**



## STAINLESS STEEL MOUNTING ACCESSORIES WTAX

### 1. REAR PANEL FIXING BRACKETS WTAX-100H

Manufactured from AISI 316L material.  
Supply includes nr. 8 pieces with mounting accessories.

### 2. SIDE PANELS FIXING BRACKETS WTAX-200H

Manufactured from AISI 316L material.  
Supply includes nr. 16 pieces with mounting accessories.

### 3. DOOR LOCKING POINTS WTAX-300H

Manufactured from AISI 316L material.  
Supply includes nr. 4 pieces with mounting accessories.

Available on request.

For more accessories, check on page 190.

## ARETA MODULAR STAINLESS STEEL



### CONFORMITY AND APPROVAL



### PROTECTION RATINGS

Enclosure with glazed door:

- IP 54 complying with IEC EN62208; EN60529
- NEMA 12 complying with UL508A; UL50
- impact resistance IK10 complying with IEC EN62208; EN50102.

Upon request, power distribution boards in stainless steel are available.  
(Cubicles made in sendzimir sheet steel).

## ARETA PC STAINLESS STEEL WITH SLIDING SHELF



### CHARACTERISTICS/DELIVERY

The pc front with sliding shelf includes:

- structure in AISI 304L material with rear door.  
(AISI 316L on request)
- top glazed door in stainless steel for monitor viewing
- pull-out keyboard drawer with mouse support
- lower door
- hinges in zinc alloy, chrome plated
- sealed box for keyboard
- cable entry box for keyboard and mouse
- adhesive double side tape for keyboard fixing
- monitor support.

### PROTECTION RATINGS

- IP 55.

### ARETA PC STAINLESS STEEL WITH SLIDING SHELF

ATPCX CODE	WIDTH	DIMENSIONS	
		HEIGHT	DEPTH
ATPCX-061806CE	600	1800	600
ATPCX-062006CE	600	2000	600

TO BE ORDERED SEPARATELY:

- SIDE PANELS ATFX (SEE PAGE 187)
- PLINTH H=100, H=200 (SEE PAGE 188).

To order a stainless steel enclosure in high grade AISI 316L,  
add the suffix "H" to the code.  
I.E.: ATPCX-061806CEH.

# ARETX/E.GOX COMMON ACCESSORIES



## 90° STAINLESS STEEL HINGE WTCE-090001XH

Manufactured from AISI 316L stainless steel material.  
Supply includes nr. 4 pieces,  
with pins and clips in AISI 316L material.

Available on request.



## LEVELLING FEET WTPX-005X

They can be applied on the cabinet structure or plinth.  
They make easier the floor cleaning and adjust different heights.

### DELIVERY

Supply includes nr. 4 pieces complete with pin in AISI 304L,  
plastic base, plate and mounting accessories.



## 180° CHROME HINGES WTCE-180001C

Supply includes nr. 4 pieces.

## 180° HINGES AISI 316L STAINLESS STEEL WTCE-180001X

Supply includes nr. 4 pieces.



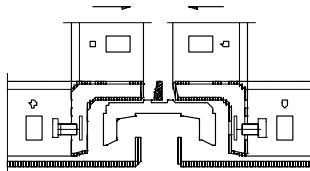
## EYEBOLTS WTGS-001X

M12 lifting eyebolts manufactured from stainless steel.  
Supply includes nr. 4 pieces.



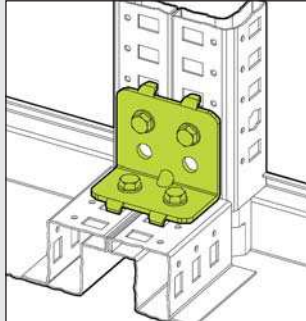
## LIFTING BRACKETS WTSS-001

5mm zincpassivated sheet steel lifting brackets.  
Supply includes nr. 4 pieces.



### JOINING KIT ATKU-002X

Manufactured from chrome plated steel.  
To be used to join two cabinets together.  
It is better to use lifting brackets WTSS-001 instead of lifting eyebolts.  
Supply includes union spacers, fixing accessories and gasket to guarantee IP protection degree.



### REINFORCING BRACKETS ATKU-003

To be used to grant more rigidity to cabinets joined in a suite.  
Manufactured from 40/10 zincpassivated sheet steel.  
Supply includes 4 pieces with mounting accessories.



### SHROUD FOR FILTER FANS

Installing a shroud over a filter fan and exhaust filter, the protection degree of the enclosure is maintained.

#### CHARACTERISTICS

Manufactured from 12/10 stainless steel AISI 304L.

#### DELIVERY

Single piece with mounting accessories.

#### CONFORMITY AND APPROVAL



#### PROTECTION RATINGS

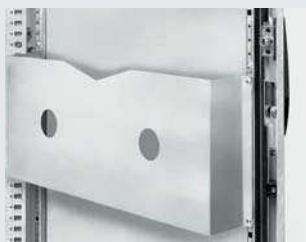
- IP 55
- NEMA 3R with fan or filtering grid

To be ordered separately panel or punched panel.



### SHROUD FOR FILTER FANS

WTCVX CODE	FAN	FILTER
WTCVX-005	WT300B/300VB WI200B/200VB	WT330B
WTCVX-010	WT305B/305VB	WT335B
WTCVX-015	WT310B/310VB	WT340B



### PLAN POCKET WTTs ... X

Large size plan manufactured from 15/10 stainless steel.

#### DELIVERY

Supply includes nr. 1 plan pocket complete with mounting screws.

Width 600mm WTTs - 000600X  
Width 800mm WTTs - 000800X  
Width 1000mm WTTs - 001000X

# ATB8 STAINLESS STEEL

## ATB8



### CHARACTERISTICS

Structure manufactured from 15/10 AISI 304L material with removable rear panel.

Door manufactured from 20/10 AISI 304L material with stiffening frame.

Item available in AISI 316L on request.

Hinges in zinc alloy, chrome plated.

### DELIVERY

- cabinet structure
- door complete with  $\varnothing$  3mm double bar locking system
- adjustable cable entry
- mounting plate manufactured from 25/10 sendzimir sheet steel (for  $W \geq 1000$  mounting plate manufactured from 30/10 sendzimir sheet steel)

### CONFORMITY AND APPROVAL



RINA

### PROTECTION RATINGS

- IP 66 complying with IEC EN62208; EN60529
- NEMA 12 complying with UL508A; UL50
- impact resistance IK10 complying with IEC EN62208; EN50102.

### MAIN ACCESSORIES

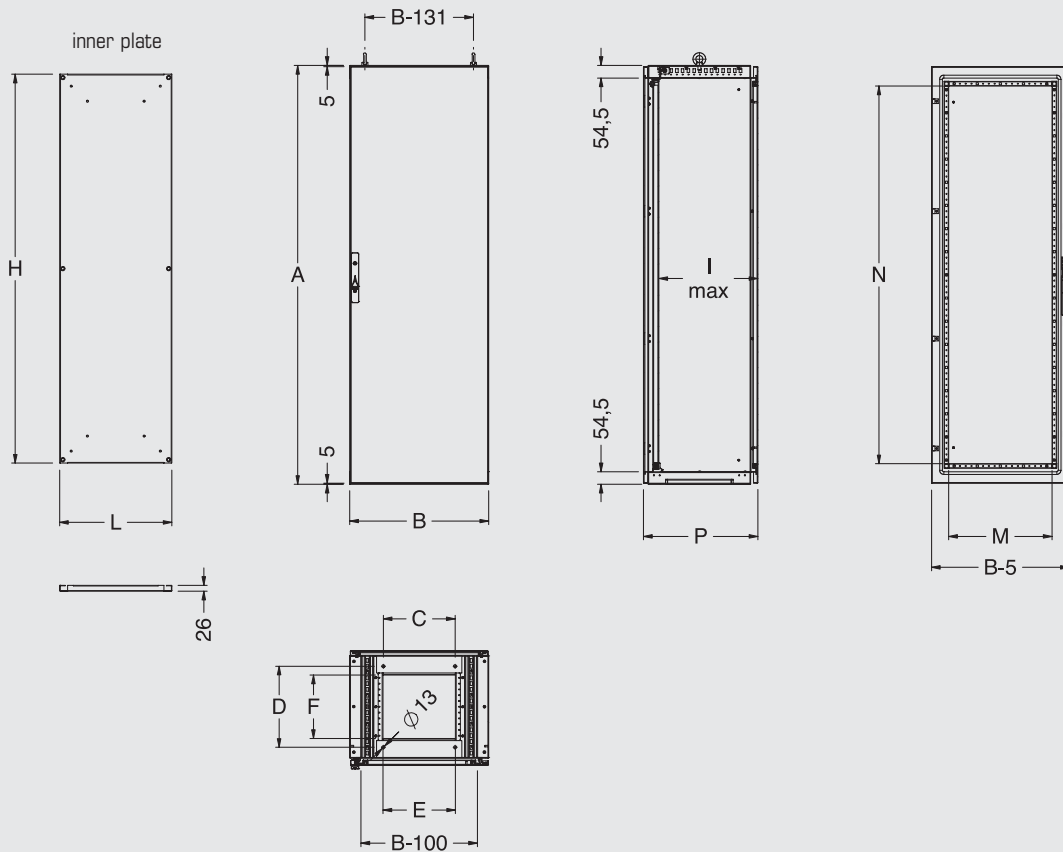


ATZX modular plinth (see page 195)



eyebolts (see page 195)

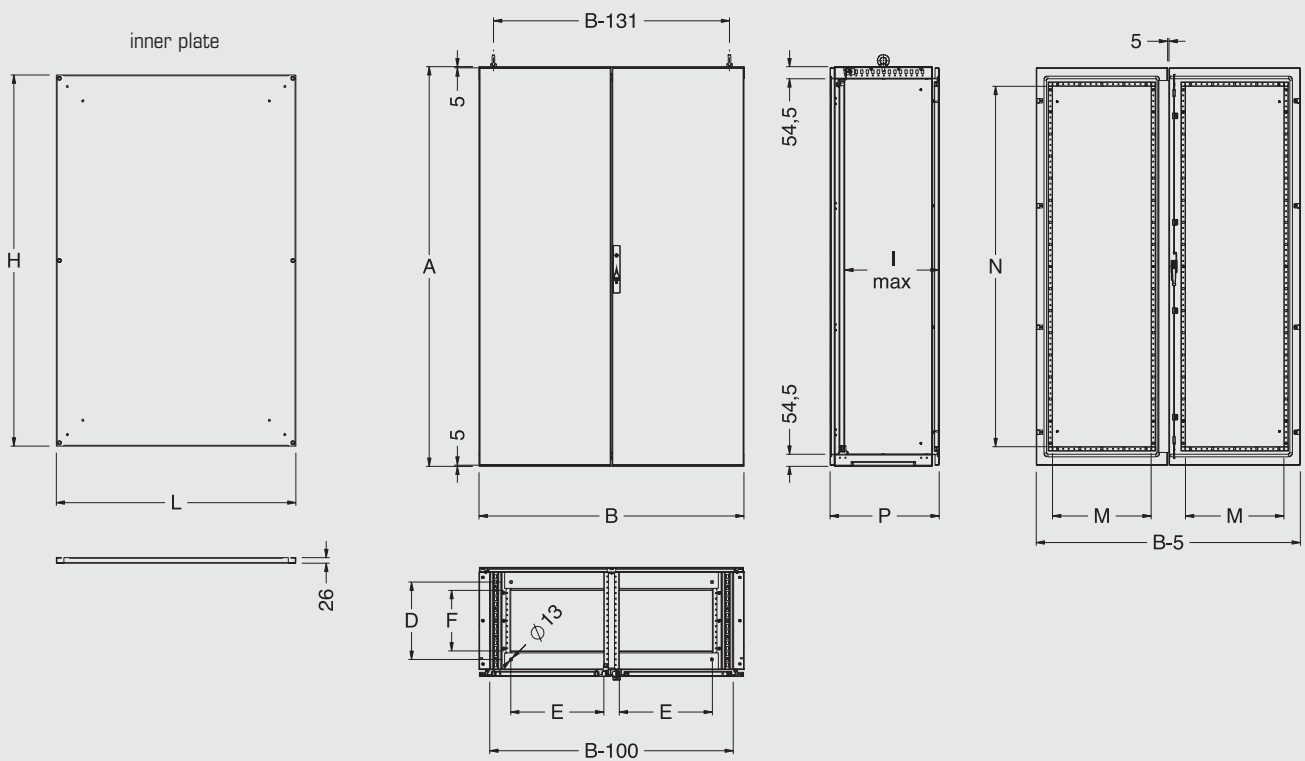
**ATB8 STAINLESS STEEL SINGLE BLANK DOOR**



ATB8 STAINLESS STEEL SINGLE BLANK DOOR												
ATB8X CODE	CABINET DIMENSIONS			FLOOR FIXING		CABLE ENTRY		DOOR SPACE		PLATE DIM.		
	B	A	P	C	D	E	F	M	N	L	H	I (MAX)
ATB8X-061604PR	600	1609	395	310	250	313	174	445	1430	485	1480	350
ATB8X-061804PR	600	1809	395	310	250	313	174	445	1630	485	1680	350
ATB8X-061805PR	600	1809	495	310	350	313	274	445	1630	485	1680	450
ATB8X-062004PR	600	2009	395	310	250	313	174	445	1830	485	1880	350
ATB8X-062005PR	600	2009	495	310	350	313	274	445	1830	485	1880	450
ATB8X-081604PR	800	1609	395	510	250	513	174	645	1430	685	1480	350
ATB8X-081804PR	800	1809	395	510	250	513	174	645	1630	685	1680	350
ATB8X-081805PR	800	1809	495	510	350	513	274	645	1630	685	1680	450
ATB8X-082004PR	800	2009	395	510	250	513	174	645	1830	685	1880	350
ATB8X-082005PR	800	2009	495	510	350	513	274	645	1830	685	1880	450
ATB8X-101804PR	1000	1809	395	710	250	713	174	845	1630	885	1680	350
ATB8X-102004PR	1000	2009	395	710	250	713	174	845	1830	885	1880	350

To order a stainless steel enclosure in high grade AISI 316L, add the suffix "H" to the code.  
 I.E.: ATB8X-062005PRH. Available on request.

# ATB8 STAINLESS STEEL DOUBLE BLANK DOOR



## ATB8 STAINLESS STEEL DOUBLE BLANK DOOR

ATB8X CODE	CABINET DIMENSIONS			FLOOR FIXING		CABLE ENTRY		DOOR SPACE		PLATE DIM.		
	B	A	P	C	D	E	F	M	N	L	H	I (MAX)
ATB8X-121804PR	1200	1809	395	910	250	421	174	445	1630	1085	1680	350
ATB8X-121805PR	1200	1809	495	910	350	421	274	445	1630	1085	1680	450
ATB8X-122004PR	1200	2009	395	910	250	421	174	445	1830	1085	1880	350

To order a stainless steel enclosure in high grade AISI 316L, add the suffix "H" to the code.  
 I.E.: ATB8X-122004PRH. Available on request.





### UNIVERSAL CORNER PIECES

ATZX CODE	DESCRIPTION
ATZX-A100	CORNER PIECES FOR PLINTH H=100
ATZX-A200	CORNER PIECES FOR PLINTH H=200

Supply includes 4 pieces with mounting accessories.

To order the corner pieces in high grade AISI 316L, add the suffix "H" to the code. I.E.: ATZX-A100H.

### UNIVERSAL FRONT CROSSPIECES

ATZX CODE	DESCRIPTION	CROSS. LENGTH (mm)
ATZX-T0600	FRONT CROSS. FOR PLINTH W=600	444
ATZX-T0800	FRONT CROSS. FOR PLINTH W=800	644
ATZX-T1000	FRONT CROSS. FOR PLINTH W=1000	844
ATZX-T1200	FRONT CROSS. FOR PLINTH W=1200	1044

Supply includes 2 pieces.

To order the front crosspieces H=200, add the suffix "D" to the code. I.E.: ATZX-T0600D.

To order the front crosspieces in high grade AISI 316L, add the suffix "H" to the code. I.E.: ATZX-T0600BH.

### WTGS-003

Zincpassivated M 12 lifting eyebolts.  
Supply includes 4 pieces with nuts and washers.

### MODULAR PLINTH ATZX

#### CHARACTERISTICS

Corner pieces manufactured from 20/10 AISI 304L stainless steel (AISI 316L on request), with front covers made from stainless steel. Front/side crosspieces manufactured from 15/10 AISI 304L stainless steel (AISI 316L on request).

#### DELIVERY

The modular plinth is made up of:

- corner pieces: supply includes 4 pieces complete with front covers and mounting hardware
- front crosspieces: supply includes 2 pieces
- side crosspieces: supply includes 2 pieces

### SIDE CROSSPIECES FOR ATB8X CABINET

ATZX CODE	DESCRIPTION	CROSS. LENGTH (mm)
ATZX-T0400B	SIDE CROSS.S FOR PLINTH D=400	206
ATZX-T0500B	SIDE CROSS.S FOR PLINTH D=500	306

Supply includes 2 pieces.

To order the side crosspieces H=200, add the suffix "D" to the code. I.E.: ATZX-T0400BD.

To order the side crosspieces in high grade AISI 316L, add the suffix "H" to the code. I.E.: ATZX-T0400BH.

**Note: for more information, assembly drawings and dimensional features, please check on page 217.**



# CS STAINLESS STEEL

NEW



## CHARACTERISTICS

- structure and door made of AISI 304L stainless sheet steel (AISI 316L upon request), 15/10 thick (for cabinet width 800 the door is made of 20/10 stainless sheet steel)
- 25/10 sendzimir sheet steel mounting plate.

## DELIVERY

The cabinet is supplied complete with:

- 2 sendzimir profiles fixed to the door
- mounting plate
- closing system with rod system and double bar key, diameter 3 mm.

## CONFORMITY AND APPROVAL



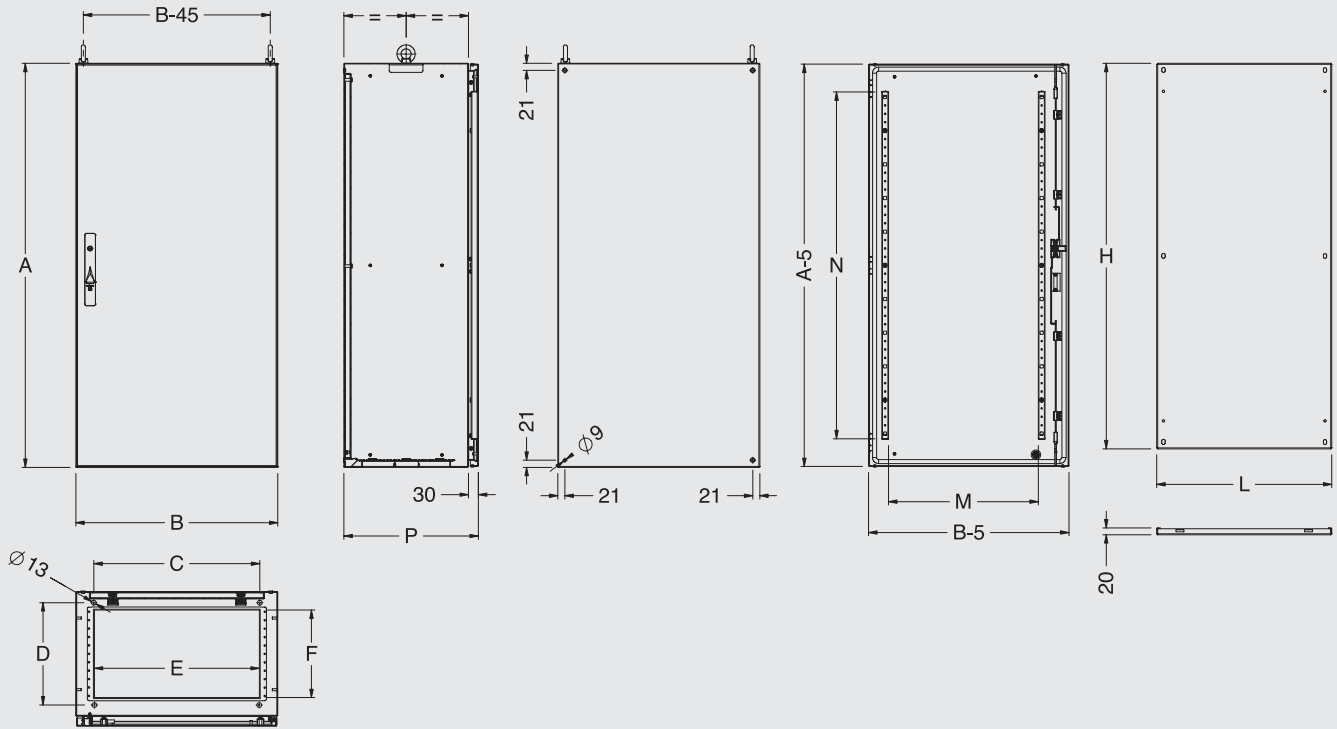
RINA

## PROTECTION RATINGS

- IP 55 complying with IEC EN62208; EN60529
- NEMA 12 complying with UL508A; UL50
- impact resistance IK10 complying with IEC EN62208; EN50102.

Available on request.

**CS STAINLESS STEEL SINGLE BLANK DOOR**

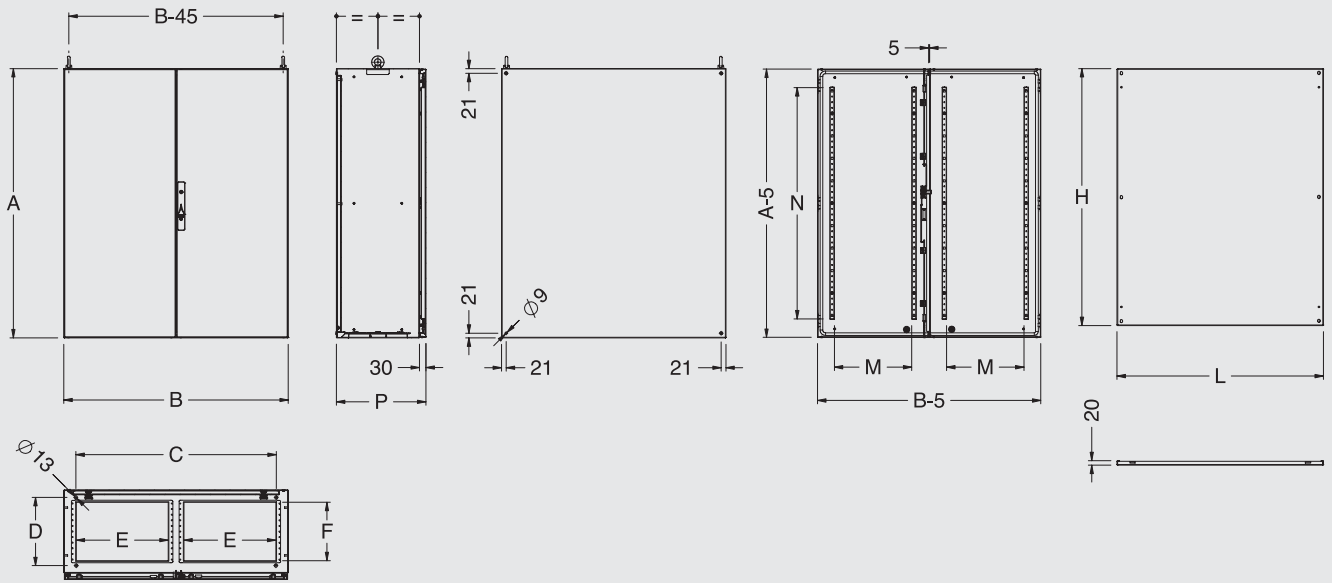


**DIMENSIONAL SPECIFICATIONS**

CODE CSX	CABINET DIMENSIONS			FLOOR FIXING		CABLE ENTRY		DOOR SPACE		MOUNT. PLATE DIM.	
	B	A	P	C	D	E	F	M	N	L	H
CSX6-1240	600	1200	400	493	304	490	260	445	1030	520	1145
CSX6-1430	600	1400	300	493	204	490	160	445	1230	520	1345
CSX6-1440	600	1400	400	493	304	490	260	445	1230	520	1345
CSX8-1240	800	1200	400	693	304	690	260	545	1030	720	1145
CSX8-1430	800	1400	300	693	204	690	160	545	1230	720	1345
CSX8-1440	800	1400	400	693	304	690	260	545	1230	720	1345

To order a stainless steel enclosure in high grade AISI 316L, add the suffix "H" to the product code. I.E.: CSX6-1240H.

## CS STAINLESS STEEL DOUBLE BLANK DOOR



### DIMENSIONAL SPECIFICATIONS

CODE CSX	CABINET DIMENSIONS			FLOOR FIXING		CABLE ENTRY		DOOR SPACE		MOUNT. PLATE DIM.	
	B	A	P	C	D	E	F	M	N	L	H
CSX10-1240	1000	1200	400	893	304	410	260	345	1030	920	1145
CSX10-1430	1000	1400	300	893	204	410	160	345	1230	920	1345
CSX10-1440	1000	1400	400	893	304	410	260	345	1230	920	1345
CSX12-1240	1200	1200	400	1093	304	510	260	445	1030	1120	1145
CSX12-1430	1200	1400	300	1093	204	510	160	445	1230	1120	1345
CSX12-1440	1200	1400	400	1093	304	510	260	445	1230	1120	1345

To order a stainless steel enclosure in high grade AISI 316L, add the suffix "H" to the code. I.E.: CSX12-1240H.

# CSX COMPLEMENTARY ACCESSORIES

## MODULAR PLINTH ATZX

### CHARACTERISTICS

Corner pieces manufactured from 20/10 AISI 304L stainless steel (AISI 316L on request), with front covers made from stainless steel. Front/side crosspieces manufactured from 15/10 AISI 304L stainless steel (AISI 316L on request).

### DELIVERY

The modular plinth is made up of:

- corner pieces: supply includes 4 pieces complete with front covers and mounting hardware
- front crosspieces: supply includes 2 pieces
- side crosspieces: supply includes 2 pieces



### UNIVERSAL CORNER PIECES

ATZX CODE	DESCRIPTION
ATZX-A100	CORNER PIECES FOR PLINTH H=100
ATZX-A200	CORNER PIECES FOR PLINTH H=200

Supply includes 4 pieces complete with mounting accessories.  
To order the corner pieces in high grade AISI 316L, add the suffix "H" to the product code. I.E.: ATZX-A100H.

### UNIVERSAL FRONT CROSSPIECES

ATZX CODE	DESCRIPTION	CROSS. LENGTH (mm)
ATZX-T0600	FRONT CROSS. FOR PLINTH W=600	444
ATZX-T0800	FRONT CROSS. FOR PLINTH W=800	644
ATZX-T1000	FRONT CROSS. FOR PLINTH W=1000	844
ATZX-T1200	FRONT CROSS. FOR PLINTH W=1200	1044

Supply includes 2 pieces.

To order the front crosspieces H=200, add the suffix "D" to the code. I.E.: ATZX-T0600D.

To order the front crosspieces in high grade AISI 316L, add the suffix "H" to the code. I.E.: ATZX-T0600H.

### SIDE CROSSPIECES FOR CSX ENCLOSURE

ATZX CODE	DESCRIPTION	CROSS. LENGTH (mm)
ATZX-T0300S	SIDE CROSS. FOR PLINTH D=300	136
ATZX-T0400A	SIDE CROSS. FOR PLINTH D=400	236

Supply includes 2 pieces.

To order the side crosspieces H=200, add the suffix "D" to the code. I.E.: ATZX-T0300SD.

To order the side crosspieces in high grade AISI 316L, add the suffix "H" to the code. I.E.: ATZX-T0300SH.

**For more information, assembly drawings and dimensional features, please check on page 217.**

**180° HINGES  
WTCE-180008X**

To be mounted on standard doors for 180° opening.

**CHARACTERISTICS**  
Manufactured from AISI 316L stainless steel.

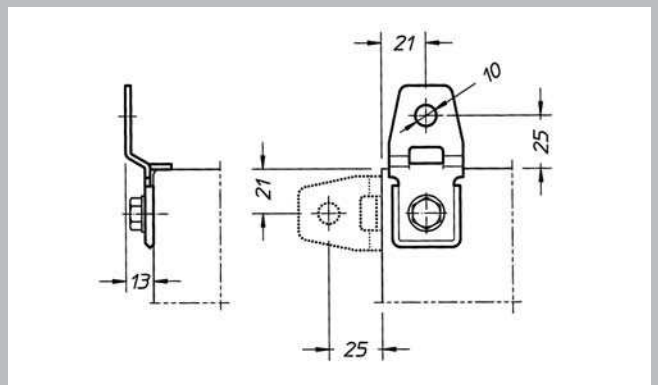
**DELIVERY**  
Supply includes 3 hinges with mounting hardware



**WALL MOUNTING BRACKETS SDWCX-010H**

Manufactured from 25/10 AISI 316L stainless steel.

**DELIVERY**  
Supply includes: 4 pieces.



**EYEBOLTS WTGS-003**

Zincpassivated M12 lifting eyebolts.

**DELIVERY**  
Supply includes 2 pieces with nuts and washers.

**FURTHER ACCESSORIES**

- Vertical rails WTPR-CS (see page 96)
- Fast-fixing brackets WTPR-R (see page 96)
- Sliding rails CSPP (see page 97)

# STX STAINLESS STEEL



## CHARACTERISTICS

Enclosure and door manufactured from AISI 304L 15/10 sheet steel (AISI 316L on request).

Flat mounting plate manufactured from 25/10 sendzimir sheet steel. Hinge in stainless steel.

## DELIVERY

Box complete with:

- mounting plate
- locking system body in zinc alloy and lever in stainless steel with  $\varnothing$  3mm double bar key
- package with hardware for earth connection and screws for mounting plate.

## CONFORMITY AND APPROVAL

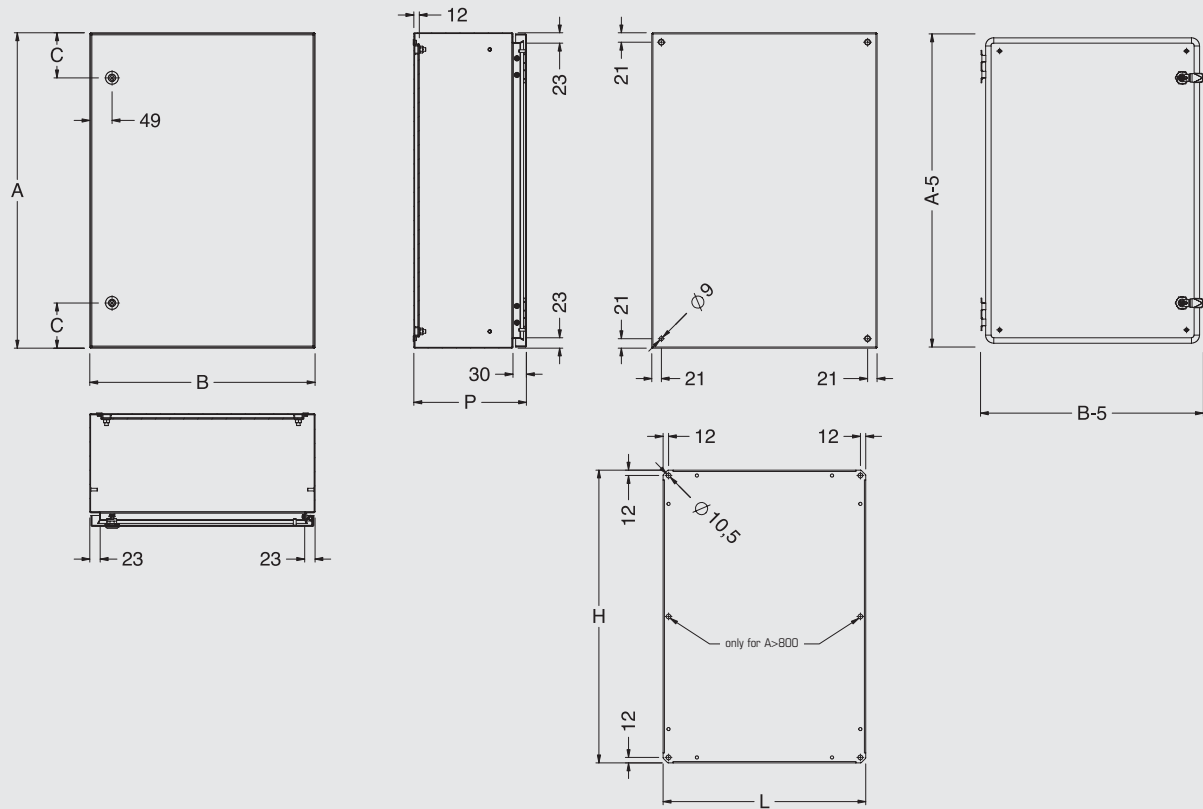


RINA

## PROTECTION RATINGS

- IP 66 complying with IEC EN62208; EN60529
- NEMA 4X complying with UL508A; UL50
- impact resistance IK10 complying with IEC EN62208; EN50102.

## STAINLESS STEEL BOX WITH SINGLE BLANK DOOR



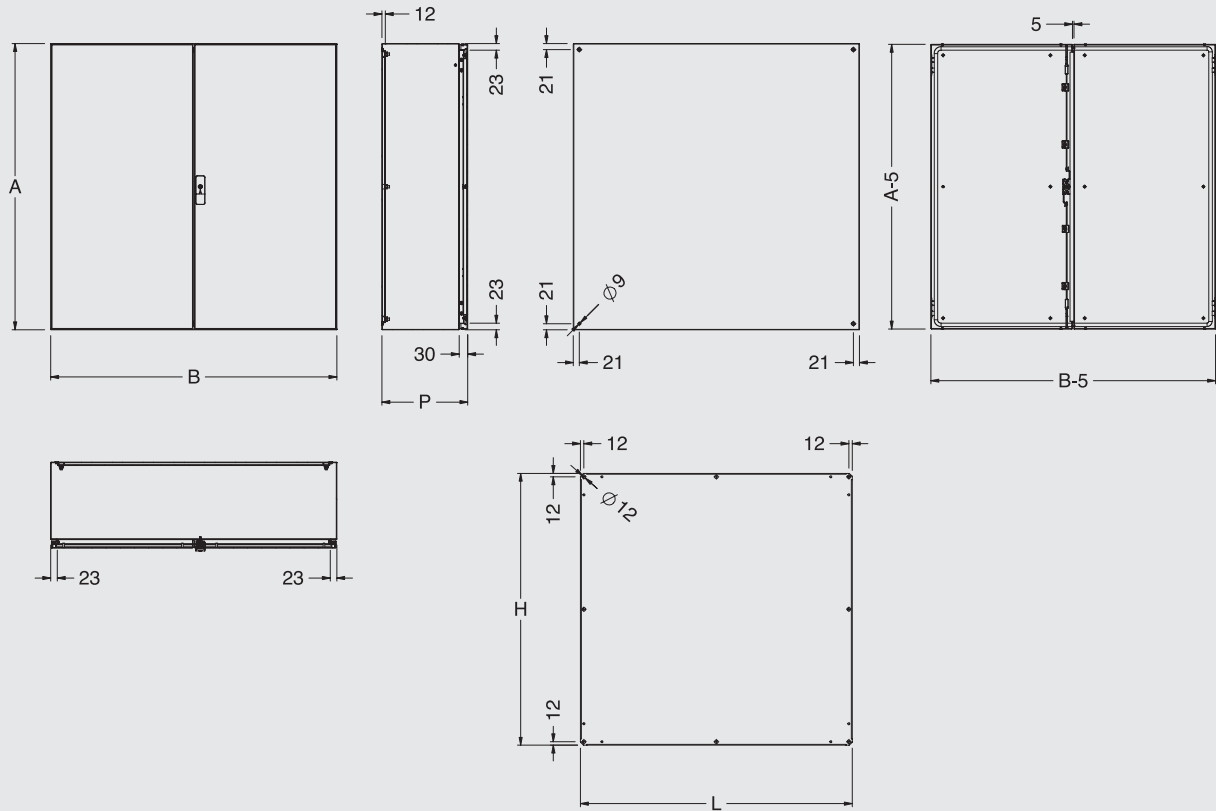
### STAINLESS STEEL BOX WITH SINGLE BLANK DOOR

STX CODE	BOX DIMENSIONS			MOUNTING PLATE DIMENSIONS			NR. OF LOCKS
	B	A	P	C	L	H	
STX2-315	200	300	150	150	150	250	1
STX3-415	300	400	150	200	250	350	1
STX3-420	300	400	200	200	250	350	1
STX4-315	400	300	150	150	350	250	1
STX4-420	400	400	200	200	350	350	1
STX4-520	400	500	200	250	350	450	1
STX4-620	400	600	200	100	350	550	2
STX5-520	500	500	200	250	450	450	1
STX5-725	500	700	250	100	450	650	2
STX6-420	600	400	200	200	550	350	1
STX6-620	600	600	200	100	550	550	2
STX6-625	600	600	250	100	550	550	2
STX6-630	600	600	300	100	550	550	2
STX6-820	600	800	200	100	550	750	2
STX6-825	600	800	250	100	550	750	2
STX6-830	600	800	300	100	550	750	2
STX6-1230	600	1200	300	200	550	1150	3
STX8-830	800	800	300	100	750	750	2
STX8-1030	800	1000	300	200	750	950	2
STX8-1230	800	1200	300	200	750	1150	3

To order a stainless steel enclosure in high grade AISI 316L, add the suffix "H" to the code. I.E.: STX2-315H.  
Available on request.



**STAINLESS STEEL BOX WITH DOUBLE BLANK DOOR**

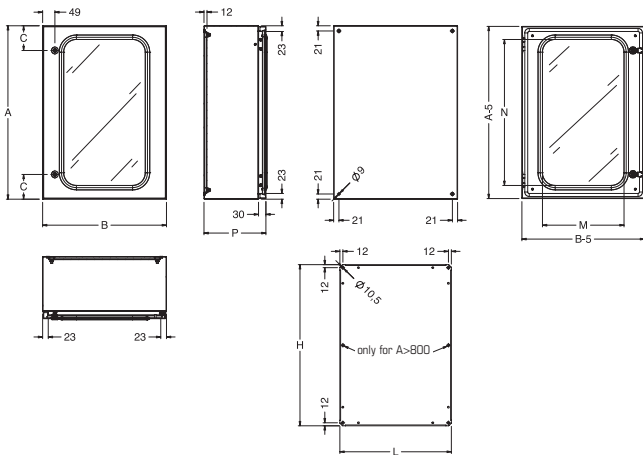


**STAINLESS STEEL BOX WITH DOUBLE BLANK DOOR**

STX CODE	BOX DIMENSIONS			MOUNTING PLATE DIMENSIONS	
	B	A	P	L	H
STX10-1030	1000	1000	300	950	950
STX10-1230	1000	1200	300	950	1150

To order a stainless steel enclosure in high grade AISI 316L, add the suffix "H" to the product code. I.E.: STX10-1030H. Available on request.

# STPX STAINLESS STEEL



## STAINLESS STEEL BOX WITH GLAZED DOOR - STPX

### CHARACTERISTICS

Enclosure manufactured from 15/10 AISI 304L material (AISI 316L on request).

Door manufactured from 15/10 AISI 304L material (AISI 316L on request) with plexiglas viewing window.

Flat mounting plate manufactured from 25/10 sendzimir sheet steel. Hinges in stainless steel.

### DELIVERY

Box complete with:

- mounting plate
- gland plate with sealing gasket
- locking system body in zinc alloy
- lever in stainless steel with  $\varnothing 3$  mm double bar key
- package with hardware for earth connection and screws for mounting plate

### CONFORMITY AND APPROVAL



RINA

### PROTECTION RATINGS

- IP 66 complying with IEC EN62208; EN60529
- NEMA 12 complying with UL508A; UL50
- impact resistance IK10 complying with IEC EN62208; EN50102.

## STAINLESS STEEL BOX WITH GLAZED DOOR

STPX CODE	BOX DIMENSIONS				DOOR SPACE		PLATE DIM.		NR. OF LOCKS
	B	A	P	C	M	N	L	H	
STPX3-420	300	400	200	200	160	285	250	350	1
STPX4-520	400	500	200	250	260	385	350	450	1
STPX4-620	400	600	200	100	260	485	350	550	2
STPX5-725	500	700	250	100	360	585	450	650	2
STPX6-820	600	800	200	100	460	685	550	750	2
STPX6-825	600	800	250	100	460	685	550	750	2

To order a stainless steel enclosure in high grade AISI 316L, add the suffix "H" to the product code. I.E.: STPX4-620H. Available on request.

# STAINLESS STEEL BOXES COMPLEMENTARY ACCESSORIES



## STAINLESS STEEL INNER DOOR

STP01 CODE	DIMENSIONS	
	L	H
STP01-34X	300	400
STP01-45X	400	500
STP01-46X	400	600
STP01-57X	500	700
STP01-68X	600	800

## STAINLESS STEEL INNER DOOR STP01 ... X

### CHARACTERISTICS

Frame and door manufactured from 15/10 AISI 304L material (AISI 316L on request).

### DELIVERY

Supply includes:

- frame
- door
- locking system body in zinc alloy
- lever in stainless steel with  $\varnothing$  3 mm double bar key
- mounting accessories.

### PROTECTION RATINGS

- external: same of the box used
- internal: IP 20.

To order a stainless steel inner door in high grade AISI 316L, add the suffix "H" to the product code.  
I.E.: STP01-46XH.

## STAINLESS STEEL MODULAR KIT MDSTX

### CHARACTERISTICS

Frame and front panels manufactured from 15/10 AISI 304L material (AISI 316L on request)

### DELIVERY

Supply includes:

- frame
- front panel with modular slot complete with mounting accessories and captive screws
- zincpassivated DIN rails
- mounting accessories.

### PROTECTION RATINGS

- external: same of the box
- internal: IP 1X.

## STAINLESS STEEL MODULAR KIT

MDSTX CODE	DIMENSIONS	
	WIDTH	DEPTH
MDSTX4-600	400	600
MDSTX6-800	600	800

To order a stainless steel kit in high grade AISI 316L, add the suffix "H" to the code.  
I.E.: MDSTX4-600H.



## STAINLESS STEEL RAIN CANOPY TTX

To be used for outdoor installation where the boxes are exposed to weather conditions.



### CHARACTERISTICS

Manufactured from 15/10 AISI 304L stainless steel material (AISI 316L available on request).

For outdoor applications, available on request the stainless steel canopy for cabinets.

## STAINLESS STEEL CANOPY TTX

TTX CODE	DIMENSIONS	
	WIDTH	DEPTH
TTX1-04	400	200
TTX1-05	500	200
TTX2-05	500	250
TTX1-06	600	250
TTX2-08	800	300

To order a stainless steel canopy in high grade AISI 316L, please add the suffix "H" to the product code. I.E.: TTX1-04H.

## STAINLESS STEEL WALL MOUNTING BRACKETS SDWCX-010H

Manufactured from 25/10 AISI 316L stainless steel. Supply includes: 4 pieces.



## MODULAR PLINTH ATZX

### CHARACTERISTICS

Corner pieces manufactured from 20/10 AISI 304L stainless steel (AISI 316L on request), with front covers made from stainless steel. Front/side crosspieces manufactured from 15/10 AISI 304L stainless steel (AISI 316L on request).

### DELIVERY

The modular plinth is made up of:

- corner pieces: supply includes 4 pieces complete with front covers and mounting hardware
- front crosspieces: supply includes 2 pieces
- side crosspieces: supply includes 2 pieces



## UNIVERSAL CORNER PIECES

ATZX CODE	DESCRIPTION
ATZX-A100	CORNER PIECES FOR PLINTH H=100
ATZX-A200	CORNER PIECES FOR PLINTH H=200

Supply includes 4 pieces complete with mounting accessories. To order the corner pieces in high grade AISI 316L, add the suffix "H" to the code. I.E.: ATZX-A100H.

## SIDE CROSSPIECES FOR STX BOXES

ATZX CODE	DESCRIPTION	CROSS. LENGTH (mm)
ATZX-T0300S	SIDE CROSS. FOR PLINTH D=300	136

Supply includes 2 pieces.

To order the side crosspieces H=200, add the suffix "D" to the code. I.E.: ATZX-T0300SD.

To order the side crosspieces in high grade AISI 316L, add the suffix "H" to the code. I.E.: ATZX-T0300SH.

## UNIVERSAL FRONT CROSSPIECES

ATZX CODE	DESCRIPTION	CROSS. LENGTH (mm)
ATZX-T0600	FRONT CROSS. FOR PLINTH W=600	444
ATZX-T0800	FRONT CROSS. FOR PLINTH W=800	644
ATZX-T1000	FRONT CROSS. FOR PLINTH W=1000	844

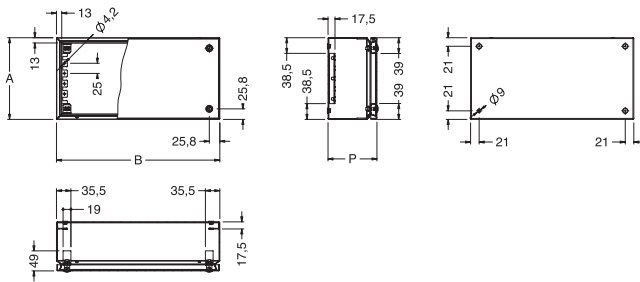
Supply includes 2 pieces.

To order the front crosspieces H=200, add the suffix "D" to the code. I.E.: ATZX-T0600D.

To order the front crosspieces in high grade AISI 316L, add the suffix "H" to the code. I.E.: ATZX-T0600H.

For more information, assembly drawings and dimensional features, please check on page 217.

# SDX STAINLESS STEEL TERMINAL BOXES



## CHARACTERISTICS

Boxes and door manufactured from 12/10 AISI 304L stainless steel (AISI 316L on request).

Lid fixing with stainless steel screws.

Holes for fixing the hinges.

## CONFORMITY AND APPROVAL



## PROTECTION RATINGS

- IP 66 complying with IEC EN62208; EN60529
- NEMA 4X complying with UL508A; UL50
- impact resistance IK10 complying with IEC EN62208; EN50102.

## STAINLESS STEEL TERMINAL BOXES

SDX CODE	DIMENSIONS		
	B	A	P
SDX1-108	150	150	80
SDX2-208	200	200	80
SDX3-208	300	200	80
SDX1-112	150	150	120
SDX4-212	400	200	120
SDX3-312	300	300	120

To be ordered separately:

- mounting plate and/or DIN rails (for DIN rails see page 153).

To order a stainless steel enclosure in high grade AISI 316L, add the suffix "H" to the code.

I.E.: SDX1-108H.

## MOUNTING PLATE

SDPA CODE	BOX DIMENSIONS		B	A	WEIGHT KG.
	WIDTH	HEIGHT			
SDPA-11	150	150	140	140	0.45
SDPA-22	200	200	176	170	0.59
SDPA-32	300	200	276	170	0.92
SDPA-33	300	300	276	270	1.46
SDPA-42	400	200	376	170	1.26

## MOUNTING PLATE SDPA



Manufactured from 2mm sendzimir sheet steel.

Supply includes: single piece.

# FPX STAINLESS STEEL ENCLOSURES WITH SLOPED ROOF

NEW



## FPX STAINLESS STEEL ENCLOSURE WITH SLOPED ROOF

### CHARACTERISTICS

Structure and door made of 15/10 AISI 304L stainless sheet steel (AISI 316L upon request).

Mounting plate made of 25/10 thick sendzimir sheet steel.

Stainless steel hinge.

### DELIVERY

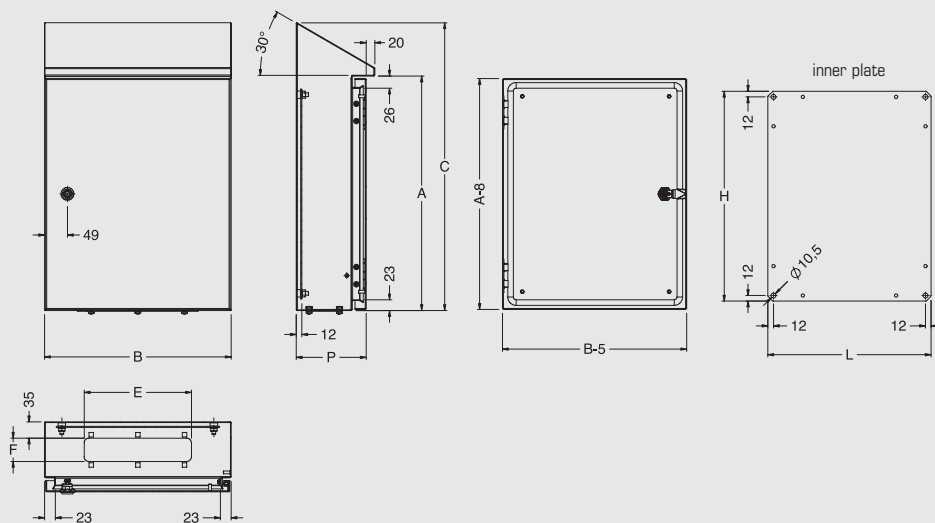
The box is supplied with:

- mounting plate
- closing system with alloyed zinc body and stainless steel lever, with  $\varnothing$  3mm double bar key
- set of screws for grounding and mounting plate assembling
- cable entry plate

### PROTECTION RATINGS

- IP 55
- impact resistance IK10

Available upon request.



## FPX STAINLESS STEEL ENCLOSURE WITH SLOPED ROOF

FPX CODE	BOX DIMENSIONS				CABLE ENTRY		MOUNTING PLATE		NR. OF LOCKS
	B	A	P	C	E	F	L	H	
FPX4-515	400	503	150	617	230	50	350	450	1
FPX4-620	400	603	200	745	230	100	350	550	2
FPX5-730	500	703	300	903	330	100	450	650	2
FPX6-825	600	803	250	974	530	100	550	750	2
FPX8-1025	800	1003	250	1174	530	100	750	950	2
FPX8-1030	800	1003	300	1203	530	100	750	950	2
FPX8-1230	800	1203	300	1403	530	100	750	1150	3

To order the item in high grade AISI 316L, add the suffix "H".  
I.E.: FPX6-825H.

# ZBX STAINLESS STEEL MONOBLOC CONTROL DESKS



## CHARACTERISTICS

Structure manufactured from 15/10 AISI 304L press bent stainless steel material.

Mounting plate manufactured from 25/10 sendzimir sheet steel mounted on the rear cover.

Upper cover manufactured from 15/10 AISI 304L material with sendzimir profiles and mechanical stop.

Adjustable cable entry. Item in AISI 316L available on request.

## DELIVERY

- control desk
- doors complete with  $\varnothing$  3mm double bar key locking system
- mounting plate
- upper cover complete with locking system
- adjustable cable entry.

## CONFORMITY AND APPROVAL



## PROTECTION RATINGS

- IP 55.
- NEMA 12 complying with UL508A; UL50.

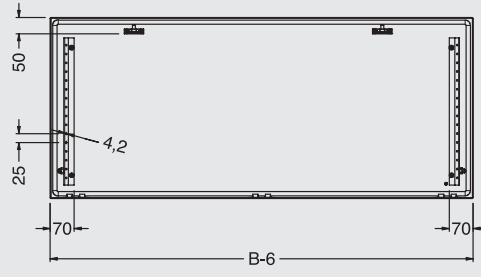
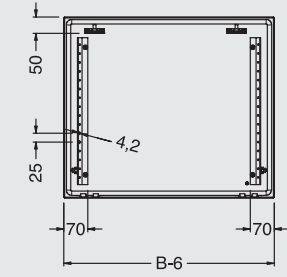
## STAINLESS STEEL MONOBLOC CONTROL DESKS

ZBX CODE	DIMENSIONS			FLOOR FIXING		CABLE ENTRY		DOOR SPACE		INNER PLATE	
	B	A	P	C	D	E	F	M	L	H	
ZBX6-01	600	1000	400	489	303	490	260	445	520	918	
ZBX8-01	800	1000	400	689	303	690	260	645	720	918	
ZBX0-01	1000	1000	400	889	303	410 (x2)	260	345	920	918	
ZBX2-01	1200	1000	400	1089	303	510 (x2)	260	445	1120	918	

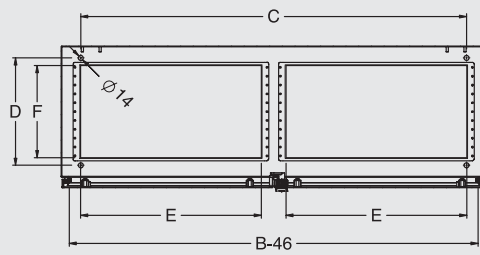
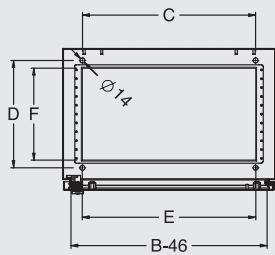
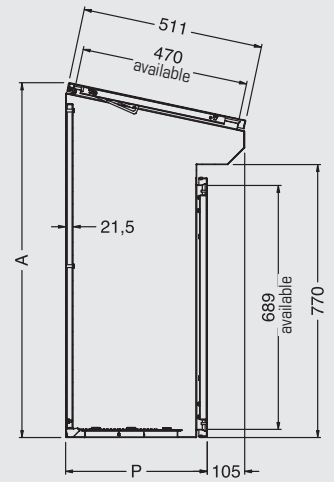
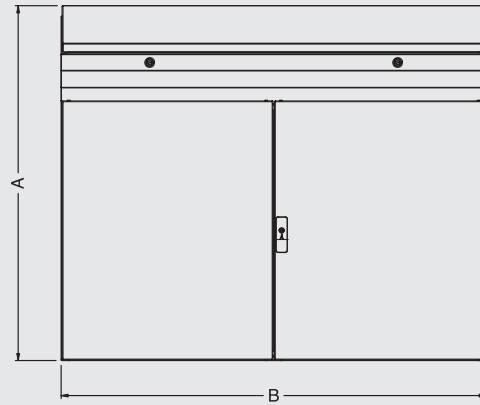
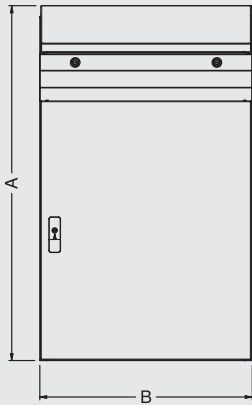
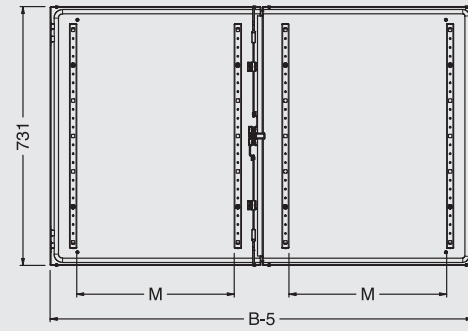
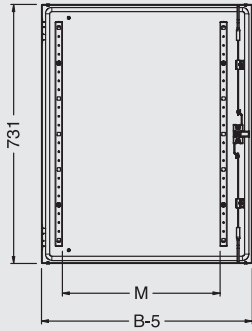
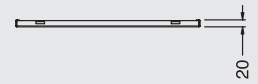
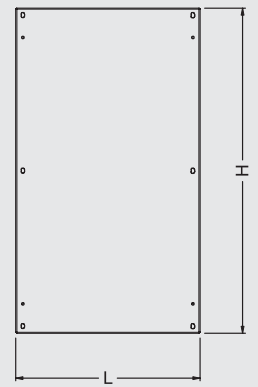
To order a stainless steel enclosure in high grade AISI 316L, add the suffix "H" to the product code.  
I.E.: ZBX6-01H.

W=600/800

W=1000/1200



inner plate





**MODULAR PLINTH ATZX****CHARACTERISTICS**

Corner pieces manufactured from 20/10 AISI 304L stainless steel (AISI 316L on request), with front covers made from stainless steel. Front/side crosspieces manufactured from 15/10 AISI 304L stainless steel (AISI 316L on request).

**DELIVERY**

The modular plinth is made up of:

- corner pieces: supply includes 4 pieces complete with front covers and mounting hardware
- front crosspieces: supply includes 2 pieces
- side crosspieces: supply includes 2 pieces

**UNIVERSAL CORNER PIECES**

ATZX CODE	DESCRIPTION
ATZX-A100	CORNER PIECES FOR PLINTH H=100
ATZX-A200	CORNER PIECES FOR PLINTH H=200

Supply includes 4 pieces complete with mounting accessories.  
To order the corner pieces in high grade AISI 316L, please add the suffix "H" to the code. I.E.: ATZX-A100H.

**SIDE CROSSPIECES FOR ZBX CONTROL DESK**

ATZX CODE	DESCRIPTION	CROSS. LENGTH (mm)
ATZX-T0400A	SIDE CROSS. FOR PLINTH D=400	236

Supply includes 2 pieces.

To order the side crosspieces H=200, add the suffix "D" to the code. I.E.: ATZX-T0400AD.

To order the side crosspieces in high grade AISI 316L, add the suffix "H" to the code. I.E.: ATZX-T0400AH.

**For more information, assembly drawings and dimensional features, please check on page 217.**

**UNIVERSAL FRONT CROSSPIECES**

ATZX CODE	DESCRIPTION	CROSS. LENGTH (mm)
ATZX-T0600	FRONT CROSS. FOR PLINTH W=600	444
ATZX-T0800	FRONT CROSS. FOR PLINTH W=800	644
ATZX-T1000	FRONT CROSS. FOR PLINTH W=1000	844
ATZX-T1200	FRONT CROSS. FOR PLINTH W=1200	1044

Supply includes 2 pieces.

To order the front crosspieces H=200, add the suffix "D" to the code. I.E.: ATZX-T0600D.

To order front crosspieces in high grade AISI 316L, add the suffix "H" to the code. I.E.: ATZX-T0600H.

# STAINLESS STEEL MODULAR CONTROL DESKS D=400



## BOX AEX

### CHARACTERISTICS

Structure manufactured from 15/10 AISI 304L press bent material.  
Mounting plate manufactured from 25/10 sendzimir sheet steel.  
Door manufactured from 15/10 AISI 304L material  
with lateral stiffening cover. Item in AISI 316L available on request.

### DELIVERY

- box
- door complete with  $\varnothing$  3mm double bar closing system
- mounting plate
- adjustable cable entry.

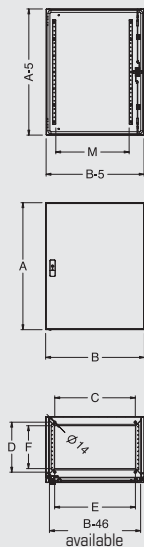
### CONFORMITY AND APPROVAL



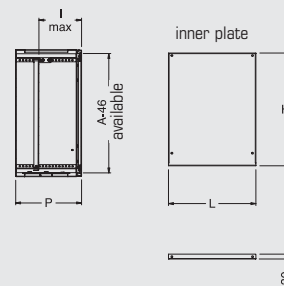
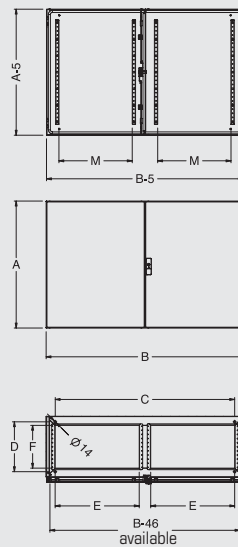
### PROTECTION RATINGS

- IP 55
- NEMA 12 complying with UL508A; UL50.

## W=600/800



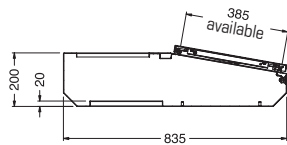
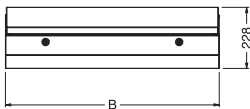
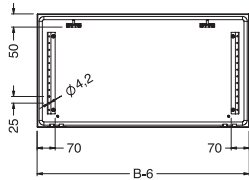
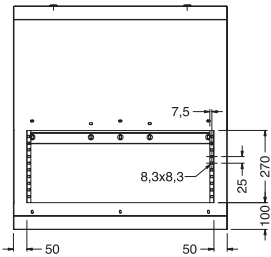
## W=1200/1600



## BOX AEX

AEX CODE	DIMENSIONS			FLOOR FIXING		CABLE ENTRY		DOOR SPACE		INNER PLATE	
	B	A	P	C	D	E	F	M	L	H	I (MAX)
AEX6-01	600	770	400	489	303	490	260	445	530	684	358
AEX8-02	800	770	400	689	303	690	260	645	730	684	358
AEX1-23	1200	770	400	1089	303	510 (x2)	260	445	1130	684	358
AEX1-64	1600	770	400	1489	303	710 (x2)	260	645	1530	684	358

To order a stainless steel enclosure in high grade AISI 316L,  
add the suffix "H" to the code.  
I.E.: AEX6-01H.



**SHELF LEX**

**CHARACTERISTICS**

Structure manufactured from 15/10 AISI 304L press bent material. Upper panel manufactured from 20/10 AISI 304L material with sendzimir rails and gas springs to support lid and avoid accidental closing. Item in AISI 316L available on request.

**DELIVERY**

- shelf
- lid complete with Ø 3mm double bar closing system
- rails to mount supplementary mounting plate
- sealing gasket
- mounting accessories.

**CONFORMITY AND APPROVAL**

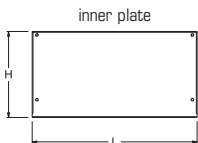
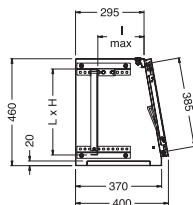
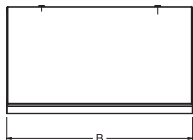
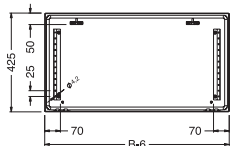
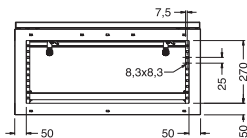


**PROTECTION RATINGS**

- IP 55.

SHELF LEX		
LEX CODE	B	NR. OF LOCKS
LEX6-01	600	2
LEX8-02	800	2
LEX1-23	1200	2
LEX1-64	1600	3

To order a stainless steel enclosure in high grade AISI 316L, add the suffix "H" to the code. I.E.: LEX6-01H.



**UPPER PART PEX**

**CHARACTERISTICS**

Structure manufactured from 15/10 AISI 304L press bent material. Mounting plate manufactured from 25/10 zincpassivated rails for mounting plate adjustment. Hinged front panel manufactured from 20/10 AISI 304L material complete with sendzimir vertical rails and mechanical stop. Item in AISI 316L available on request.

**DELIVERY**

- upper part
- hinged front cover with Ø 3mm double bar locking system
- mounting plate
- sealing gasket
- mounting accessories.

**CONFORMITY AND APPROVAL**

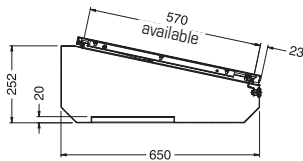
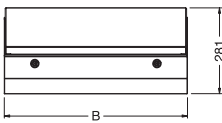
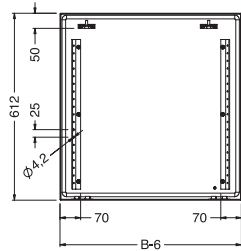
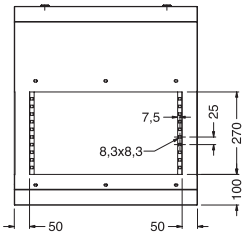


**PROTECTION RATINGS**

- IP 55.

UPPER PART PEX				
PEX CODE	B	PLATE DIM.		
		L	H	I (MAX)
PEX6-01	600	510	370	250
PEX8-02	800	710	370	250
PEX1-23	1200	1110	370	250
PEX1-64	1600	1510	370	250

To order a stainless steel enclosure in high grade AISI 316L, add the suffix "H" to the code. I.E.: PEX6-01H.



## SHELF MEX

### CHARACTERISTICS

Structure manufactured from 15/10 AISI 304L press bent material. Upper panel manufactured from 20/10 AISI 304L material with sendzimir rails and gas springs to support lid and avoid accidental closing. Item in AISI 316L available on request.

### DELIVERY

- shelf
- lid complete with  $\varnothing$  3mm double bar closing system
- sealing gasket
- mounting accessories.

### CONFORMITY AND APPROVAL



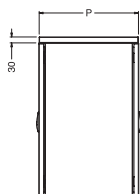
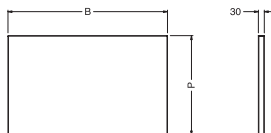
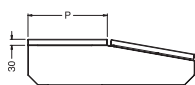
### PROTECTION RATINGS

- IP 55
- NEMA 12 complying with UL508A; UL50.

SHELF MEX		
MEX CODE	B	NR. OF LOCKS
MEX6-01	600	2
MEX8-02	800	2
MEX1-23	1200	2
MEX1-64	1600	3

To order a stainless steel enclosure in high grade AISI 316L, add the suffix "H" to the code. I.E.: MEX6-01H.

# ST. STEEL MODULAR CONTROL DESKS COMPLEMENTARY ACCESSORIES



## UNIVERSAL CORNER PIECES

ATZX CODE	DESCRIPTION
ATZX-A100	CORNER PIECES FOR PLINTH H=100
ATZX-A200	CORNER PIECES FOR PLINTH H=200

Supply includes 4 pieces complete with mounting accessories.  
To order the corner pieces in high grade AISI 316L, add the suffix "H" to the code. I.E.: ATZX-A100H.

## SIDE CROSS. FOR MODULAR CONTROL DESK

ATZX CODE	DESCRIPTION	CROSS. LENGTH (mm)
ATZX-T0400A	SIDE CROSS. FOR PLINTH D=400	236

Supply includes 2 pieces.

To order the side crosspieces H=200, add the suffix "D" to the code. I.E.: ATZX-T0400AD.

To order the side crosspieces in high grade AISI 316L, add the suffix "H" to the code. I.E.: ATZX-T0400AH.

## COVER TLX

Manufactured from 15/10 AISI 304L material (AISI 316L on request).

To be used as top cover of the LEX shelf.

## DELIVERY

Supply includes single piece with mounting accessories.

## COVER TLX

TLX CODE	B	P
TLX6-01	600	398
TLX8-02	800	398
TLX1-23	1200	398
TLX1-64	1600	398

To order a stainless steel enclosure in high grade AISI 316L, please add H to the product code. E.g.: TLX6-01H.

## MODULAR PLINTH ATZX

### CHARACTERISTICS

Corner pieces manufactured from 20/10 AISI 304L stainless steel (AISI 316L on request), with front covers made from stainless steel. Front/side crosspieces manufactured from 15/10 AISI 304L stainless steel (AISI 316L on request).

### DELIVERY

The modular plinth is made up of:

- corner pieces: supply includes 4 pieces complete with front covers and mounting hardware
- front crosspieces: supply includes 2 pieces
- side crosspieces: supply includes 2 pieces

## UNIVERSAL FRONT CROSSPIECES

ATZX CODE	DESCRIPTION	CROSS. LENGTH (mm)
ATZX-T0600	FRONT CROSS. FOR PLINTH W=600	444
ATZX-T0800	FRONT CROSS. FOR PLINTH W=800	644
ATZX-T1200	FRONT CROSS. FOR PLINTH W=1200	1044
ATZX-T1600	FRONT CROSS. FOR PLINTH W=1600	1244

Supply includes 2 pieces.

To order the front crosspieces H=200, add the suffix "D" to the code. I.E.: ATZX-T0600D.

To order the front crosspieces in high grade AISI 316L, add the suffix "H" to the code. I.E.: ATZX-T0600H.

**For more information, assembly drawings and dimensional features, please check on page 217.**