 ConnectSafe

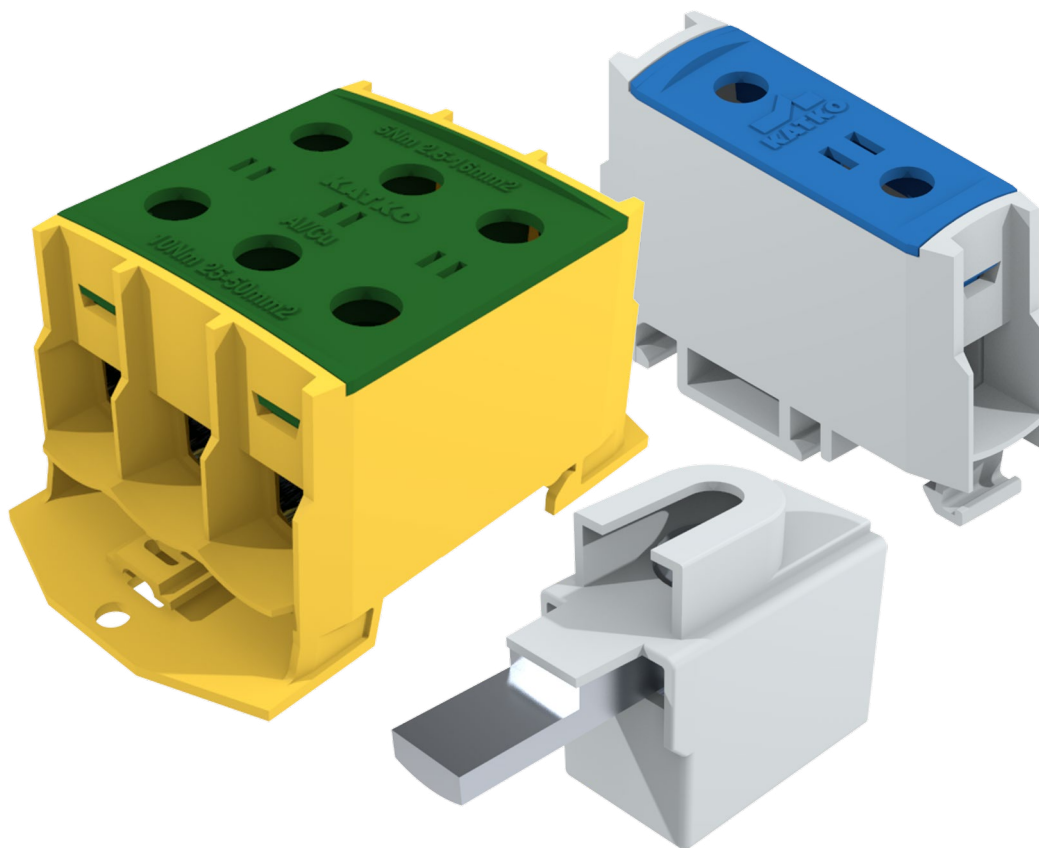


 ConnectSafe

TERMINAL BLOCKS & CONNECTORS

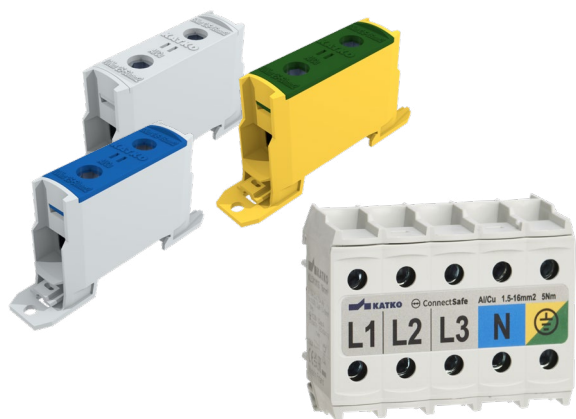
TABLE OF CONTENTS

KC & KL TERMINAL BLOCKS (AC)	4
KL TERMINAL BLOCKS (DC)	5
POLYCARBONATE AND STAINLESS STEEL ENCLOSED TERMINAL BLOCKS	6
KKL CABLE CONNECTORS	7
KKL VERTICAL CABLE CONNECTORS	8
KLH CABLE CONNECTORS	8
TERMINAL SHROUDS	9
SPREADERS	9
FIXING ACCESSORIES	9
KLH CABLE CONNECTORS UL 486A-486B	10
KL TERMINAL BLOCKS - UL 1059	11
DIMENSIONAL DRAWINGS KC & KL TERMINAL BLOCKS	12
DIMENSIONAL DRAWINGS ENCLOSED TERMINAL BLOCKS	15
DIMENSIONAL DRAWINGS KKL CABLE CONNECTORS	18
DIMENSIONAL DRAWINGS CABLE CONNECTORS & KKL VERTICAL CABLE CONNECTORS	23
DIMENSIONAL DRAWINGS KKL VERTICAL CABLE CONNECTORS & KLH CABLE CONNECTORS	24
DIMENSIONAL DRAWINGS OF SPREADERS	25
DIMENSIONAL DRAWINGS OF TERMINAL SHROUDS	26
NUMBER OF CONDUCTORS SIMULTANEOUSLY CONNECTABLE TO THE TERMINAL	27
KATKO SWITCHES AND CABLE CONNECTORS COMPATIBILITY TABLE	29



Extensive selection of KATKO terminal blocks and connectors suitable for both aluminium and copper conductors. Easy to install directly onto a DIN rail or with screws.

KC & KL TERMINAL BLOCKS (AC)



- For Al/Cu conductors: Al 2.5 - 300 mm² / Cu 1.5 - 300 mm²
- KL 1X16 & KC-terminals 16 - 35 mm² for DIN-rail mounting and KL-terminals 50 - 300 mm² for DIN-rail or base mounting
- Available in grey, blue (N) and yellow/green (PE)
- Operating temperature is -25 °C ... +80 °C
- 1000 VAC and 1500 VDC
- Touchproof, IP20
- Available as 1-pole connector (1x) and 1-pole branching connector (2x)
- 50 and 95 mm² connectors also available as 1-pole branching connector (3x) and 3-pole connector (3x1x)
- Environmentally friendly materials (halogen and phosphorus free)
- Terminal material tin-coated, greased aluminium
- Durable laser markings
- KL terminal blocks compatible with markers
- Certified according to IEC 61238-1 Class A and IEC 60947-7-1

UL certified terminal blocks available, see UL section of this catalogue

Type	Un (VAC)	In (Al) (A)	In (Cu) (A)	Al/Cu mm ²	Torque Al/Cu (Nm)	No of conductors	Key size	Mounting	EAN code 6419410...	Weight kg	Package size PCS
KC1X16									...357200		
KC1X16N	800	-	63	1.5-16*	1.8	2	PZ2	DIN	...357217	0.021	100
KC1X16PE									...357224		
KC2X16									...357507		
KC2X16N	800	-	125	1.5-16*	1.8	4	PZ2	DIN	...357514	0.047	50
KC2X16PE									...357521		
KC1X35									...357231		
KC1X35N	800	-	135	2.5-35*	2.5	2	PZ2	DIN	...357248	0.03	84
KC1X35PE									...357255		
KC2X35									...357538		
KC2X35N	800	-	270	2.5-35*	2.5	4	PZ2	DIN	...357545	0.069	42
KC2X35PE									...357552		
KL1X16									...484364		
KL1X16N	1000	75	76	1.5 - 16	5	2	Hex 4	DIN	...484371	0.022	60
KL1X16PE									...484562		
KL5X1X16						6			...484364		20
KL1X50									...378250		
KL1X50N	1000	160	160	2.5 - 50	5 (2.5 - 16 mm ²) 10 (25 - 50 mm ²)	2	Hex 5	Screw / DIN	...378267	0.060	32
KL1X50PE									...378274		
KL2X50									...378281		
KL2X50N	1000	200	320	2.5 - 50	5 (2.5 - 16 mm ²) 10 (25 - 50 mm ²)	4	Hex 5	Screw / DIN	...378298	0.104	18
KL2X50PE									...378304		
KL3X50									...205587		
KL3X50N	1000	160	160	2.5 - 50	5 (2.5 - 16 mm ²) 10 (25 - 50 mm ²)	6	Hex 5	Screw / DIN	...205594	0.098	10
KL3X50PE									...205600		
KL3X1X50									...205617		
KL3X1X50N	1000	160	160	2.5 - 50	5 (2.5 - 16 mm ²) 10 (25 - 50 mm ²)	6	Hex 5	Screw / DIN	...205624	0.098	10
KL3X1X50PE									...205631		
KL1X95									...378311		
KL1X95N	1000	200	245	16 - 95	12 (16 - 50 mm ²) 22 (70 - 95 mm ²)	2	Hex 6	Screw / DIN	...378328	0.096	22
KL1X95PE									...378335		
KL2X95									...378342		
KL2X95N	1000	400	490	16 - 95	12 (16 - 50 mm ²) 22 (70 - 95 mm ²)	4	Hex 6	Screw / DIN	...378359	0.169	12
KL2X95PE									...378366		
KL3X95									...205648		
KL3X95N	1000	200	245	16 - 95	12 (16 - 50 mm ²) 22 (70 - 95 mm ²)	6	Hex 6	Screw / DIN	...205655	0.202	6
KL3X95PE									...205662		
KL3X1X95									...205679		
KL3X1X95N	1000	200	245	16 - 95	12 (16 - 50 mm ²) 22 (70 - 95 mm ²)	6	Hex 6	Screw / DIN	...205686	0.202	6
KL3X1X95PE									...205693		
KL1X150									...378373		
KL1X150N	1000	250	320	25 - 150	12 (25 - 50 mm ²) 22 (70 - 95 mm ²) 38 (120 - 150 mm ²)	2	Hex 6	Screw / DIN	...378380	0.181	18
KL1X150PE									...378397		
KL2X150									...378403		
KL2X150N	1000	500	640	25 - 150	12 (25 - 50 mm ²) 22 (70 - 95 mm ²) 38 (120 - 150 mm ²)	4	Hex 6	Screw / DIN	...378410	0.317	10
KL2X150PE									...378427		
KL1X240									...378434		
KL1X240N	1000	315	425	35 - 240	25 (35 - 120 mm ²) 55 (150 - 240 mm ²)	2	Hex 8	Screw / DIN	...378441	0.293	14
KL1X240PE									...378458		
KL2X240									...378465		
KL2X240N	1000	630	850	35 - 240	25 (35 - 120 mm ²) 55 (150 - 240 mm ²)	4	Hex 8	Screw / DIN	...378472	0.522	8
KL2X240PE									...378489		
KL1X300									...484388		
KL1X300N	1000	400	520	95 - 300	45 (95-120 mm ²) 75 (150-300 mm ²)	2	Hex 12	Screw / DIN	...484395	0.491	12
KL1X300PE									...378816		
KL2X300									...484401		
KL2X300N	1000	800	1040	95 - 300	45 (95-120 mm ²) 75 (150-300 mm ²)	4	Hex 12	Screw / DIN	...484418	0.901	6
KL2X300PE									...378823		

KL TERMINAL BLOCKS (DC)



- For Al/Cu conductors: Al 2.5 - 300 mm² / Cu 1.5 - 300 mm²
- KL-terminals 50 - 300 mm² for DIN-rail or base mounting
- Available in red (P) and black (M)
- Operating temperature is -25 °C ... +80 °C
- Environmentally friendly materials (halogen and phosphorus free)
- Terminal material tin-coated, greased aluminium
- KL terminal blocks compatible with markers
- Durable laser markings
- Certified according to IEC 61238-1 Class A and IEC 60947-7-1

Type	Un (VDC)	In (Al) (A)	In (Cu) (A)	Al/Cu mm ²	Torque Al/Cu (Nm)	Number of conductors	Key size	Mounting	EAN code 6419410...	Weight kg	Package size PCS
KL1X50P	1500	160	160	2.5 - 50	5 (2.5 - 16 mm ²)	2	Hex 5	Screw / DIN338087	0.060	32
KL1X50M					10 (25 - 50 mm ²)			338094		
KL2X50P	1500	200	320	2.5 - 50	5 (2.5 - 16 mm ²)	4	Hex 5	Screw / DIN338124	0.104	18
KL2X50M					10 (25 - 50 mm ²)			338131		
KL1X95P	1500	200	245	16 - 95	12 (16 - 50 mm ²)	2	Hex 6	Screw / DIN338148	0.096	22
KL1X95M					22 (70 - 95 mm ²)			338155		
KL2X95P	1500	400	490	16 - 95	12 (16 - 50 mm ²)	4	Hex 6	Screw / DIN338162	0.169	12
KL2X95M					22 (70 - 95 mm ²)			338179		
KL1X150P	1500	250	320	25 - 150	12 (25 - 50 mm ²)	2	Hex 6	Screw / DIN338186	0.181	18
KL1X150M					22 (70 - 95 mm ²)			338193		
KL2X150P	1500	500	640	25 - 150	12 (25 - 50 mm ²)	4	Hex 6	Screw / DIN338209	0.317	10
KL2X150M					22 (70 - 95 mm ²)			338216		
KL1X240P	1500	315	425	35 - 240	25 (35 - 120 mm ²)	2	Hex 8	Screw / DIN338223	0.293	14
KL1X240M					55 (150 - 240 mm ²)			338230		
KL2X240P	1500	630	850	35 - 240	25 (35 - 120 mm ²)	4	Hex 8	Screw / DIN338247	0.522	8
KL2X240M					55 (150 - 240 mm ²)			338254		
KL1X300P	1500	400	520	95 - 300	45 (95-120 mm ²)	2	Hex 12	Screw / DIN338261	0.491	12
KL1X300M					75 (150-300 mm ²)			338278		
KL2X300P	1500	800	1040	95 - 300	45 (95-120 mm ²)	4	Hex 12	Screw / DIN338285	0.901	6
KL2X300M					75 (150-300 mm ²)			338292		

P = Red, M = Black

DISCOVER MORE



Dimensional drawings:

Dimensional drawings section of this catalogue

3D STEP and DWG files available:

www.katko.com/3d-models

Accessories available:

www.katko.com/products/accessories/

KL terminal blocks have a place for attaching a marker

(Suitable markers: Weidmüller DEK 5/5
Available in blank, standard or custom printing)



POLYCARBONATE AND STAINLESS STEEL ENCLOSED TERMINAL BLOCKS



- Suitable for Cu conductors 1.5 - 300 mm² and Al conductors 2.5 - 300 mm²
- The enclosed connectors can be flexibly customized to meet the requirements of different applications.
- Terminal material: tin-coated aluminium
- IP66: M3, M4, RA4, RA5, KCS1397PC, KCS13137PC, KCS19139PC & KCS271910PC
- IP65: MF01, MF03 & R6
- All models include:
 - L1, L2 ja L3 terminal blocks, grey (single or double)
 - N- terminal block (single or double)
 - PE-terminal block (single or double)
- Cable glands included
- Environmentally friendly materials
- Durable laser markings
- Certified according to IEC 61238-1 Class A
- Available as EMC

Polycarbonate enclosures

Type	Un (V)	In (Al) (A)	In (Cu) (A)	Al/Cu mm ²	Torque Al/Cu (Nm)	No of conductors	Key size	Enclosure	Cable glands	EAN code 6419410...	Weight kg
KLM5X1X16 KCS1397PC V	1000	75	76	1.5-16	5	2	Hex 4	KCS1397PC	*	...350638	0.6
KLM5X1X16 KCS13137PC	1000	75	76	1.5-16	5	2	Hex 4	KCS13137PC	*	...350645	0.8
KLM5X1X16 KCS19139PC V	1000	75	76	1.5-16	5	2	Hex 4	KCS19139PC	*	...350652	0.9
KLM5X1X16 KCS19139PC H	1000	75	76	1.5-16	5	2	Hex 4	KCS19139PC	*	...350669	1.0
KLM5X1X16 KCS271910PC V	1000	75	76	1.5-16	5	2	Hex 4	KCS271910PC	*	...350324	1.0
KLM5X1X16 KCS271910PC H	1000	75	76	1.5-16	5	2	Hex 4	KCS271910PC	*	...350676	1.0
KLM5X1X50 KCS271910PC V	1000	160	160	2.5 - 50	5 (2.5 - 16 mm ²) / 10 (25 - 50 mm ²)	2	Hex 5	KCS271910PC	*	...350683	1.9
KLM2X16 M3 4XM32P	800	-	125	1.5-16 (Cu)	1.8	4	PZ2	M3	M32 x4	...391815	0.8
KLM1X50 M4 2XM40P	1000	160	160	2.5 - 50	5 (2.5 - 16 mm ²) / 10 (25 - 50 mm ²)	2	Hex 5	M4	M40 x2	...391846	1.1
KLM2X50 M4 4XM40P	1000	200	320	2.5 - 50	5 (2.5 - 16 mm ²) / 10 (25 - 50 mm ²)	4	Hex 5	M4	M40 x4	...391853	1.3
KLM1X95 MF01 2XM63P	1000	200	245	16 - 95	12 (16 - 50 mm ²) / 22 (70 - 95 mm ²)	2	Hex 6	MF01	M63 x2	...391860	2.3
KLM2X95 MF01 4XM63P	1000	400	490	16 - 95	12 (16 - 50 mm ²) / 22 (70 - 95 mm ²)	4	Hex 6	MF01	M63 x4	...391877	3.0
KLM2X150 MF03 4XM63P	1000	500	640	25 - 150	12 (25 - 50 mm ²) / 22 (70 - 95 mm ²) / 38 (120 - 150 mm ²)	4	Hex 6	MF03	EPA 2260 x2	...391891	5.0

* Different cable glands available on request

Stainless steel enclosures, ACID PROOF (RA4, RA5: AISI 316L & R6: AISI 304)

Type	Un (V)	In (Al) (A)	In (Cu) (A)	Al/Cu mm ²	Torque Al/Cu (Nm)	No of conductors	Key size	Enclosure	Cable glands	EAN code 6419410...	Weight kg
KLR1X16 RA4 2XM32M	800	-	125	1.5 - 16 (Cu)	1.8	4	PZ2	RA4	4 x M32	...391921	2.4
KLR2X16 RA4 4XM32M	800	-	125	1.5-16 (Cu)	1.8	4	PZ2	RA4	4 x M32	...391938	2.4
KLR1X50 RA4 2XM40M	1000	160	160	2.5 - 50	5 (2.5 - 16 mm ²) / 10 (25 - 50 mm ²)	2	Hex 5	RA4	2 x M40	...391969	2.6
KLR2X50 RA4 4XM40M	1000	200	320	2.5 - 50	5 (2.5 - 16 mm ²) / 10 (25 - 50 mm ²)	4	Hex 5	RA5	4 x M40	...391976	6.2
KLR1X95 RA5 2XM63M	1000	200	245	16 - 95	12 (16 - 50 mm ²) / 22 (70 - 95 mm ²)	2	Hex 6	RA5	2 x M63	...391983	6.0
KLR2X95 RA5 4XM63M	1000	400	490	16 - 95	12 (16 - 50 mm ²) / 22 (70 - 95 mm ²)	4	Hex 6	RA5	4 x M63	...391990	6.8
KLR2X150 R6 4XM63LM	1000	500	640	25 - 150	12 (25 - 50 mm ²) / 22 (70 - 95 mm ²) / 38 (120 - 150 mm ²)	4	Hex 6	R6	2 x EPA 2260	...392010	15.5

Sheet steel enclosures

Type	Un (V)	In (Al) (A)	In (Cu) (A)	Al/Cu mm ²	Torque Al/Cu (Nm)	No of conductors	Key size	Enclosure	Cable glands	EAN code 6419410...	Weight kg
KLT1X95	1000	200	245	16 - 95	12 (16 - 50 mm ²) / 22 (70 - 95 mm ²)	2	Hex 6	T5	2 x M50M	...267103	7.5
KLT2X95	1000	400	490	16 - 95	12 (16 - 50 mm ²) / 22 (70 - 95 mm ²)	4	Hex 6	T5	4 x M50M	...267110	7.5
KLT1X150	1000	250	320	25-150	12 (25 - 50 mm ²) / 22 (70 - 95 mm ²) / 38 (120 - 150 mm ²)	2	Hex 6	T6	2 x M63M	...267141	15.3
KLT2X150	1000	500	640	25-150	12 (25 - 50 mm ²) / 22 (70 - 95 mm ²) / 38 (120 - 150 mm ²)	4	Hex 6	T6	4 x M63M	...267158	15.3
KLT1X240	1000	315	425	35-240	25 (35 - 120 mm ²) / 55 (150 - 240 mm ²)	2	Hex 8	T6	2 x M63LM	...267189	15.3
KLT2X240	1000	800	1040	95-300	45 (95-120 mm ²) / 75 (150-300 mm ²)	4	Hex 12	T7	2 x HIK4	...267196	29.3

DISCOVER MORE



Dimensional drawings:

Dimensional drawings section of this catalogue

3D STEP and DWG files available:

www.katko.com/3d-models

Accessories available:

www.katko.com/products/accessories/

KKL CABLE CONNECTORS



- For 1.5-300 mm² Al/Cu conductors
- Available in 1x and 2x models
- 2x versions in both horizontal and vertical versions
- Environmentally friendly materials (halogen and phosphorus free)
- Material: tin-coated aluminium
- Durable laser markings
- Certified according to IEC 61238-1 Class A

Type	Un (V)	In (Al) (A)	In (Cu) (A)	Al mm ²	Cu mm ²	Torque Al/Cu (Nm)	Number of conductors	Key size	Mounting	EAN code 6419410...	Weight kg	Package size PCS
KKL1X16	690	63	63	1.5-16	1.5-16	2,2 (1,5-16mm ²)	1	Hex 3	Direct	...378496	0.01	30
KKL3X1X16T	690	63	63	1.5-16	1.5-16	5	3	Hex 4	Direct	... 292945	0.020	10
KKL1X50T1	690	125	125	16-50	2.5-50	5 (2,5-16mm ²) / 10 (25-50mm ²)	1	Hex 5	Direct	...378717	0.019	12
KKL1X50T2	690	125	125	16-50	2.5-50	5 (2,5-16mm ²) / 10 (25-50mm ²)	1	Hex 5	Direct	...378502	0.019	12
KKL1X50T2E	690	125	125	16-50	2.5-50	5 (2,5-16mm ²) / 10 (25-50mm ²)	1	Hex 5	Direct	... 378717	0.019	12
KKL1X50T3	690	125	125	16-50	2.5-50	5 (2,5-16mm ²) / 10 (25-50mm ²)	1	Hex 5	Direct	...378724	0.019	12
KKL1X50M	690	125	125	16-50	2.5-50	5 (2,5-16mm ²) / 10 (25-50mm ²)	1	Hex 5	Direct	...378519	0.017	12
KKL1X50N	690	125	125	16-50	2.5-50	5 (2,5-16mm ²) / 10 (25-50mm ²)	1	Hex 5	Direct	...378670	0.014	25
KKL1X50	690	160	160	16-50	2.5-50	5 (2,5-16mm ²) / 10 (25-50mm ²)	1	Hex 5	Bolt	...378571	0.011	25
KKL2X50	690	200	320	16-50	16-50	5 (2,5-16mm ²) / 10 (25-50mm ²)	2	Hex 5	Bolt M8	...378588	0.023	12
KKL2X50M	690	200	320	16-50	16-50	5 (2,5-16mm ²) / 10 (25-50mm ²)	2	Hex 5	Bolt M8	...378663	0.023	12
KKL1X95	690	200	245	25-95	25-95	12 (16-50 mm ²) / 22 (70-95 mm ²)	1	Hex 6	Bolt M10	... 200230	0.03	48
KKL1X95M	690	200	245	25-95	25-95	12 (16-50 mm ²) / 22 (70-95 mm ²)	1	Hex 6	Bolt M8	...378953	0.03	48
KKL2X95	690	400	490	25-95	25-95	12 (16-50 mm ²) / 22 (70-95 mm ²)	2	Hex 6	Bolt M10	...378601	0.061	48
KKL2X95LR	690	400	490	25-95	25-95	12 (16-50 mm ²) / 22 (70-95 mm ²)	2	Hex 6	Bolt M10	...205853	0.061	48
KKL1X120T1	690	200	245	16-120	16-120	12 (16-50 mm ²) / 22 (70-120 mm ²)	1	Hex 6	Direct	...378526	0.037	20
KKL1X120T2	690	200	245	16-120	16-120	12 (16-50 mm ²) / 22 (70-120 mm ²)	1	Hex 6	Direct	...378533	0.037	20
KKL1X120T3	690	200	245	16-120	16-120	12 (16-50 mm ²) / 22 (70-120 mm ²)	1	Hex 6	Direct	...378540	0.037	20
KKL1X120T	690	200	245	16-120	16-120	12 (16-50 mm ²) / 22 (70-120 mm ²)	1	Hex 6	Direct	...378700	0.037	20
KKL1X120TM	690	200	245	16-120	16-120	12 (16-50 mm ²) / 22 (70-120 mm ²)	1	Hex 6	Direct	...378557	0.037	20
KKL1X120RS	690	200	245	16-120	16-120	12 (16-50 mm ²) / 22 (70-120 mm ²)	1	Hex 6	Bolt M8	...378687	0.044	20
KKL1X120RSY	690	200	245	16-120	16-120	12 (16-50 mm ²) / 22 (70-120 mm ²)	1	Hex 6	Bolt M8	...378694	0.044	20
KKL1X150	690	250	320	25-150	25-150	12 (25-50 mm ²) / 22 (70-95 mm ²) / 38 (120-150 mm ²)	1	Hex 6	Bolt M10	...378618	0.073	20
KKL1X150T2	690	250	320	25-150	25-150	12 (25-50 mm ²) / 22 (70-95 mm ²) / 38 (120-150 mm ²)	1	Hex 6	Direct	...378748	0.073	20
KKL2X150	690	500	640	25-150	25-150	12 (25-50 mm ²) / 22 (70-95 mm ²) / 38 (120-150 mm ²)	2	Hex 6	Bolt M12	...378625	0.15	20
KKL2X150LR	690	500	640	25-150	25-150	12 (25-50 mm ²) / 22 (70-95 mm ²) / 38 (120-150 mm ²)	2	Hex 6	Bolt M12	...300459	0.15	20
KKL1X240	690	315	425	35-240	35-240	25 (35-120 mm ²) / 55 (150-240 mm ²)	1	Hex 8	Bolt M12	...378632	0.113	16
KKL1X240M8	690	315	425	35-240	35-240	25 (35-120 mm ²) / 55 (150-240 mm ²)	1	Hex 8	Bolt M8	...229149	0.113	16
KKL2X240	690	630	850	35-240	35-240	25 (35-120 mm ²) / 55 (150-240 mm ²)	2	Hex 8	Bolt M12	...378649	0.245	16
KKL1X240TM	690	400	425	35-240	35-240	25 (35-120 mm ²) / 40 (150-240 mm ²)	1	Hex 8	Bolt M8	...378656	0.113	20
KKL1X240TE	690	400	400	35-240	35-240	25 (35-120 mm ²) / 40 (150-240 mm ²)	1	Hex 8	Bolt M8	...378731	0.113	20
KKL2X240LR	690	630	850	35-240	35-240	25 (35-120 mm ²) / 55 (150-240 mm ²)	2	Hex 8	Bolt M12	...378755	0.245	16
KKL1X300	690	400	520	95-300	95-300	45 (95-120 mm ²) / 75 (150-300 mm ²)	1	Hex 12	Bolt M12	...484289	0.262	10
KKL2X300	690	800	1040	95-300	95-300	45 (95-120 mm ²) / 75 (150-300 mm ²)	2	Hex 12	Bolt M12	...484296	0.501	3

DISCOVER MORE



Dimensional drawings:

Dimensional drawings section of this catalogue

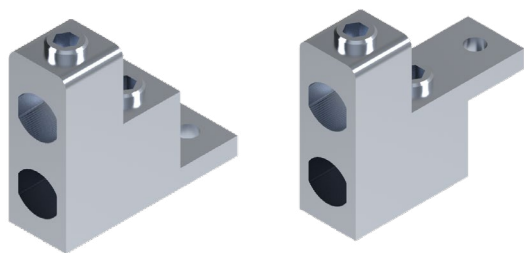
3D STEP and DWG files available:

www.katko.com/3d-models

Accessories available:

www.katko.com/products/accessories/

KKL VERTICAL CABLE CONNECTORS



- For 25-300 mm² Al/Cu conductors
- Blade middle (VM) and blade bottom (VB) models
- Environmentally friendly materials
- Material: tin-coated aluminium
- Durable laser markings
- Certified according to IEC 61238-1 Class A

Type	Un (V)	In (Al) (A)	In (Cu) (A)	Al mm ²	Cu mm ²	Torque Al/Cu (Nm)	Number of conductors	Allen key size	Mounting	EAN code 6419410...	Weight kg	Package size PCS
KKL2X150VB	690	500	640	25-150	25-150	12 (25-50 mm ²) / 22 (70-95 mm ²) / 38 (120-150 mm ²)	2	Hex 6	Bolt M12	...484319	0.18	3
KKL2X150VM	690	500	640	25-150	25-150	12 (25-50 mm ²) / 22 (70-95 mm ²) / 38 (120-150 mm ²)	2	Hex 6	Bolt M12	...484302	0.18	3
KKL2X240VB	690	630	850	35-240	35-240	25 (35-120 mm ²) / 40 (150-240 mm ²)	2	Hex 8	Bolt M12	...484333	0.339	3
KKL2X240VM	690	630	850	35-240	35-240	25 (35-120 mm ²) / 40 (150-240 mm ²)	2	Hex 8	Bolt M12	...484326	0.339	3
KKL2X300VB	690	800	1040	95-300	95-300	45 (95-120 mm ²) / 75 (150-300 mm ²)	2	Hex 12	Bolt M12	...484357	0.572	3
KKL2X300VM	690	800	1040	95-300	95-300	45 (95-120 mm ²) / 75 (150-300 mm ²)	2	Hex 12	Bolt M12	...484340	0.572	3

DISCOVER MORE



Dimensional drawings:

Dimensional drawings section of this catalogue

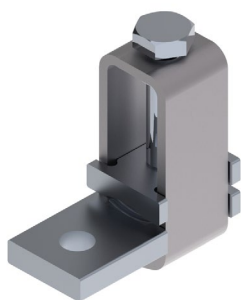
3D STEP and DWG files available:

www.katko.com/3d-models

Accessories available:

www.katko.com/products/accessories/

KLH CABLE CONNECTORS



- Connector with an intermediate part for applying pressure to the conductor
- Suitable for 2 x 50-300 mm² Al/Cu conductors
- Narrow profile when installed vertically
- Suitable for various conductor types (for example fine stranded and solid)
- Material:
 - Frame: stainless steel
 - Connection bar: tin-plated copper

UL certified cable connectors available, see UL section of this catalogue

Type	Al/Cu mm ²	Torque Al/Cu (Nm)	No of conductors	Key size	EAN code 6419410...	Weight kg	Package size PCS
KLH2X150	2 x 50 - 150	44	4	Hex 17	...358580	0.26	3
KLH2X240	2 x 95 - 240	75	4	Hex 19	...358597	0.37	3
KLH2X300	2 x 185 - 300	75	4	Hex 19	...358603	0.49	3

DISCOVER MORE



Dimensional drawings:

Dimensional drawings section of this catalogue

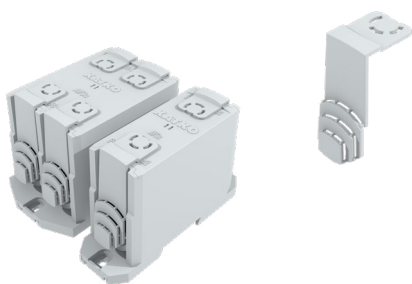
3D STEP and DWG files available:

www.katko.com/3d-models

Accessories available:

www.katko.com/products/accessories/

TERMINAL SHROUDS



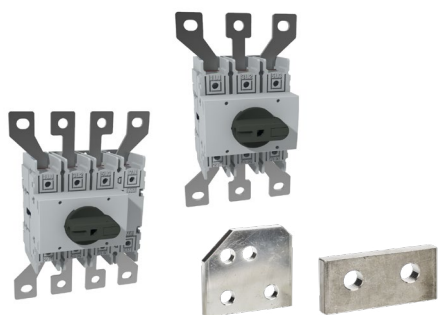
- Terminal shrouds for KL terminals
- Cut-outs for the general conductor sizes
- IP20

Type	Description	For	EAN code 6419410...	Package size PCS
KLTS50	cut-outs for 2,5-10, 16-25 and 35-50 mm ² conductors	KL 50 mm ² terminal blocks (1x, 2x, 3x and 3x1x models)	... 260173	1
KLTS95	cut-outs for 16-25, 35-50 and 70-95 mm ² conductors	KL 95 mm ² terminal blocks (1x, 2x, 3x and 3x1x models)	... 260180	1
KLTS150	cut-outs for 25-50, 70-95 and 120-150 mm ² conductors	KL 150 mm ² terminal blocks (1x and 2x models)	...293874	1
KLTS240	cut-outs for 35-50, 70-120 and 150-240 mm ² conductors	KL 240 mm ² terminal blocks (1x and 2x models)	...293881	1
KLTS300	cut-outs for 95-120, 150-185 and 240-300 mm ² conductors	KL 300 mm ² terminal blocks (1x and 2x models)	...293898	1



[DISCOVER MORE](#)

SPREADERS



- For fitting cable connectors to switches

Type	Description	For	EAN code 6419410...	Package size PCS
ALK3160	8 mm bolt, 1 package contains spreaders for all terminals of switch	EVA & VKA 125-160A 3-pole	...225301	1
ALK4160	8 mm bolt, 1 package contains spreaders for all terminals of switch	EVA & VKA 125-160A 4-pole	...225400	1
ALK800	13 mm bolt, 1 package contains 1 spreader	KU 800A, 3 & 4-pole	...205884	1
ALK800C	13 mm bolt, 1 package contains 1 spreader	KU 800A, 3-pole	...205877	1



[DISCOVER MORE](#)

FIXING ACCESSORIES



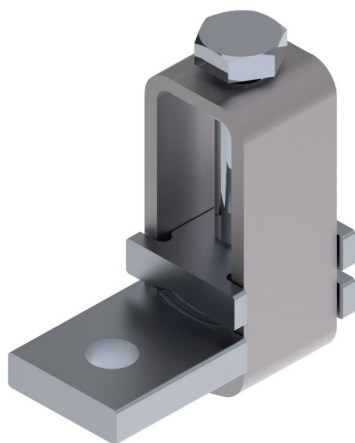
- For bolt mountable KKL connectors
- One package for 3- or 4-pole switches contains all necessary bolts, nuts and washers

Type	Description	For	EAN code 6419410...
M12PP3P	Fixing bolts for connectors	M12, 3 pole	...288368
M10PP3P	Fixing bolts for connectors	M10, 3 pole	...288351
M8PP3P	Fixing bolts for connectors	M8, 3 pole	...288344
M8PP4P	Fixing bolts for connectors	M8, 4 pole	...287804
M10PP4P	Fixing bolts for connectors	M10, 4 pole	...287811
M12PP4P	Fixing bolts for connectors	M12, 4 pole	...287828



[DISCOVER MORE](#)

KLH CABLE CONNECTORS UL 486A-486B



- UL 486A-486B
- CSA C22.2 No.65.
- Connector with an intermediate part for applying pressure to the conductor
- Suitable for various conductor types (for example fine stranded and solid)
- Narrow profile when installed vertically
- Suitable for 2 x 1/0 AWG - 600 kcmil wires
- Material:
 - Frame: stainless steel
 - Connection bar: tin-plated copper

Type	EAN code 6419410...	Line/Load Wire Size-Str (kcmil/AWG)	Torque Cu lb-in	Key size	Weight kg	Package size PCS
KLH2X150	...358580	2 x 300 - 1/0	390	Hex 17	0.26	3
KLH2X240	...358597	2 x 500 - 3/0	660	Hex 19	0.37	3
KLH2X300	...358603	2 x 600 - 300	660	Hex 19	0.49	3

DISCOVER MORE



Dimensional drawings:

Dimensional drawings section of this catalogue

3D STEP files available:

www.katko.com/3d-models

Accessories available:

www.katko.com/products/accessories/

KL TERMINAL BLOCKS - UL 1059



- UL conductors: 500 kcmil - 6 AWG
- IEC conductors: 2.5 - 240 mm²
- Available in grey, blue (N) and yellow/green (PE)
- Housing and cover in polyamide
- Terminal material tin-coated, greased aluminium
- For DIN-rail or base mounting
- Environmentally friendly materials
- UL 1059, CAN/CSA C22.2 No. 158-10

Type	EAN code 6419410...	Voltage (V)	Ampere Al (A)	Ampere Cu (A)	Line/Load Wire Size-Str Cu/Al (kcmil/AWG)	Torque Al/Cu lb-in	Key size	Mounting	Weight kg	Package size PCS
KL1X50	...378250	1000V	120A	150A	1/0 - 6	90 lb in	Hex 5	Screw / DIN	0.060	32
KL1X50N	...378267									
KL1X50PE	...378274									
KL2X50	...378281	1000V	240A	300A	1/0 - 6	90 lb in	Hex 5	Screw / DIN	0.104	18
KL2X50N	...378298									
KL1X95	...378311									
KL1X95N	...378328	1000V	155A	200A	3/0 - 4	110 lb in (1/0 - 4 AWG) / 200 lb in (3/0 - 2/0 AWG)	Hex 6	Screw / DIN	0.096	22
KL1X95PE	...378335									
KL2X95	...378342									
KL2X95N	...378359	1000V	360A	460A	4/0 - 4	110 lb in (1/0 - 4 AWG) / 200 lb in (4/0 - 2/0 AWG)	Hex 6	Screw / DIN	0.169	12
KL1X150	...378373									
KL1X150N	...378380									
KL2X150	...378403	1000V	460A	570A	300 - 2	110 lb in (1/0 - 2 AWG) / 200 lb in (4/0 - 2/0 AWG) / 340 lb in (300 - 250 kcmil)	Hex 6	Screw / DIN	0.181	18
KL2X150N	...378410									
KL1X240	...378434									
KL1X240N	...378441	1000V	310A	380A	500 - 3/0	220 lb in (250 kcmil - 3/0 AWG) / 490 lb in (500 - 300 kcmil)	Hex 8	Screw / DIN	0.293	14
KL2X240	...378465									
KL2X240N	...378472									

-- Grey, N = Blue, PE = Yellow/Green

DISCOVER MORE



Dimensional drawings:

Dimensional drawings section of this catalogue

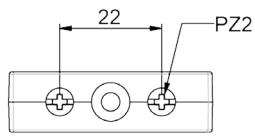
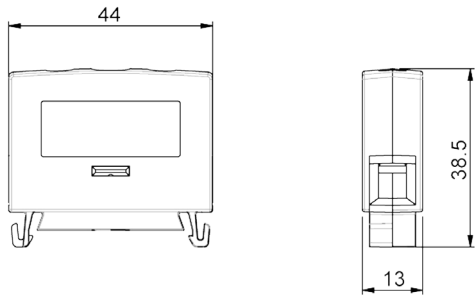
3D STEP files available:

www.katko.com/3d-models

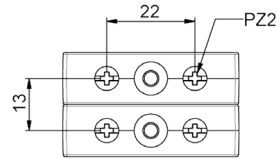
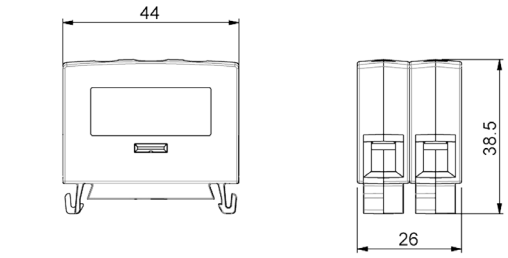
Accessories available:

www.katko.com/products/accessories/

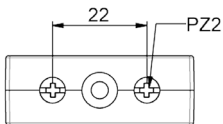
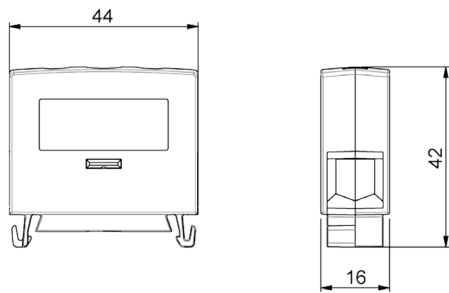
DIMENSIONAL DRAWINGS KC & KL TERMINAL BLOCKS



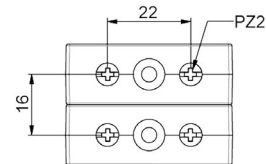
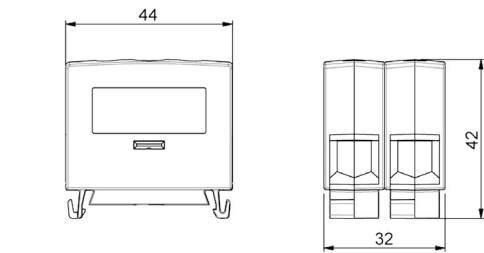
KC1X16



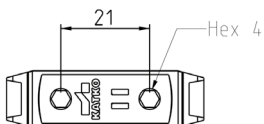
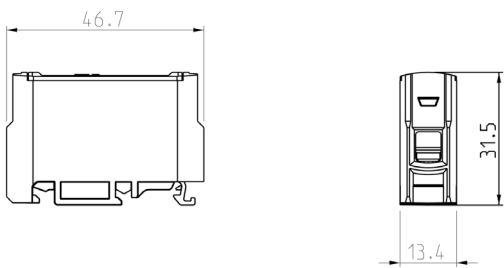
KC2X16



KC1X35

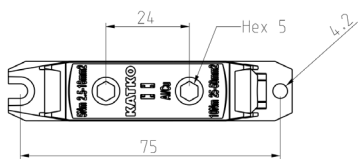
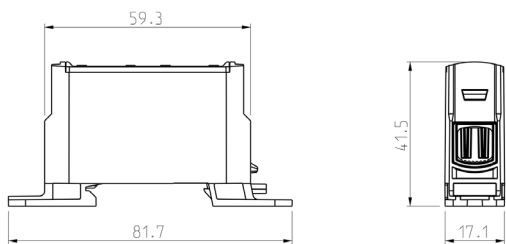


KC2X35

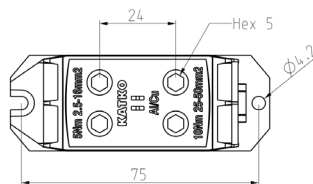
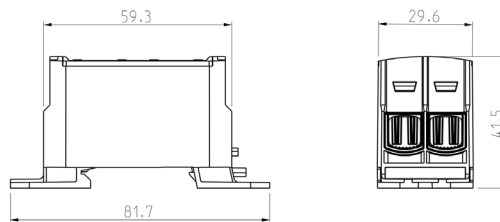


KL1X16

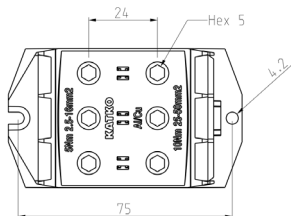
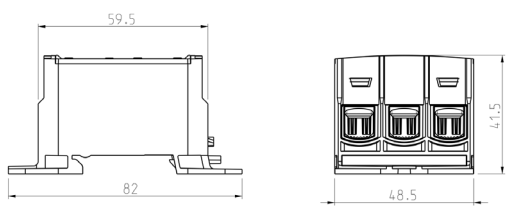
KL5X1X16



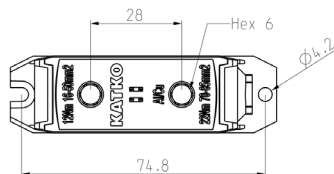
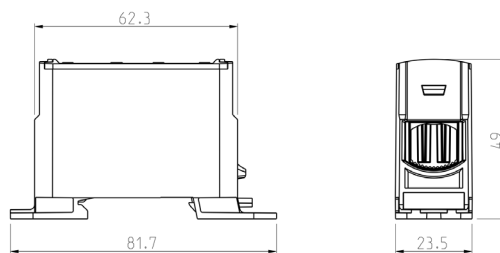
KL1X50



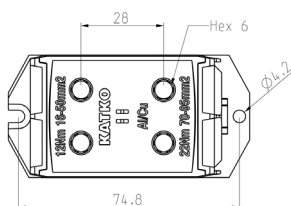
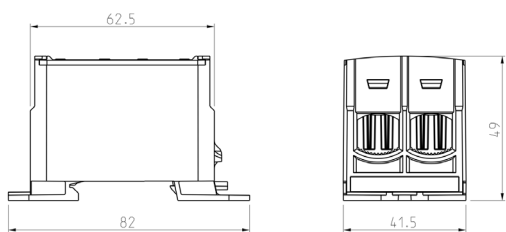
KL2X50



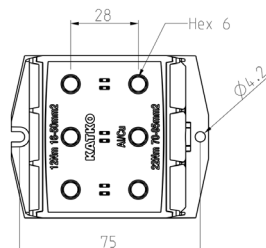
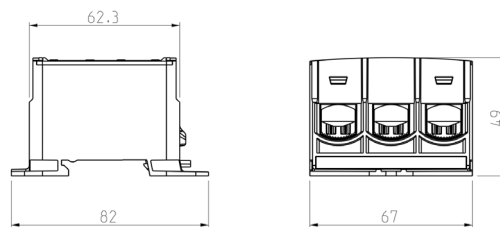
KL3X50 / 3X1X50



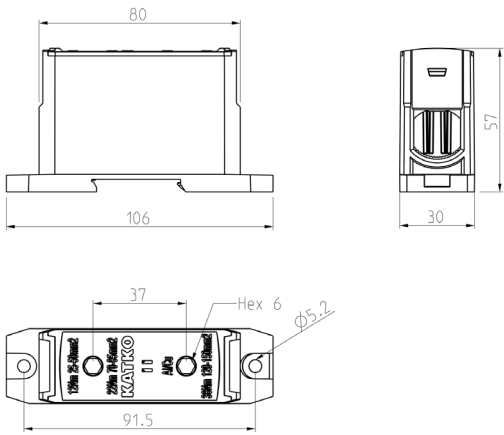
KL1X95



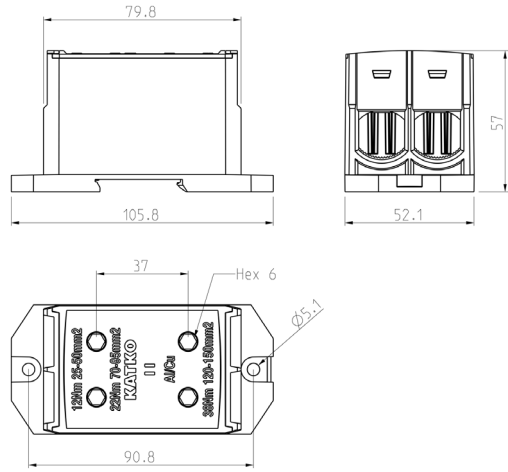
KL2X95



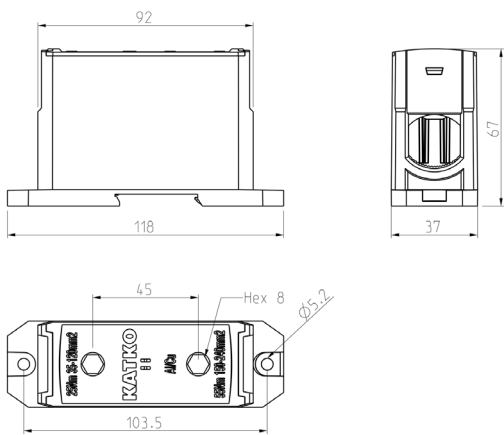
KL3X95 / 3X1X95



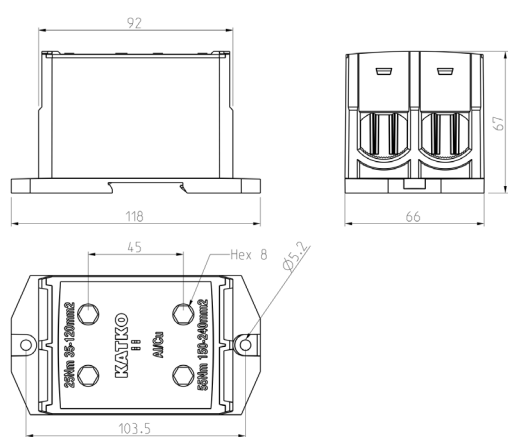
KL1X150



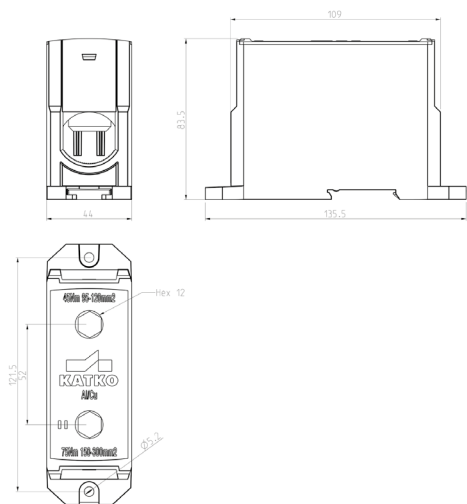
KL2X150



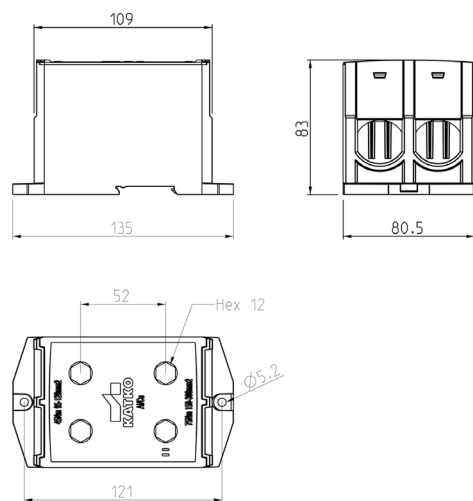
KL1X240



KL2X240

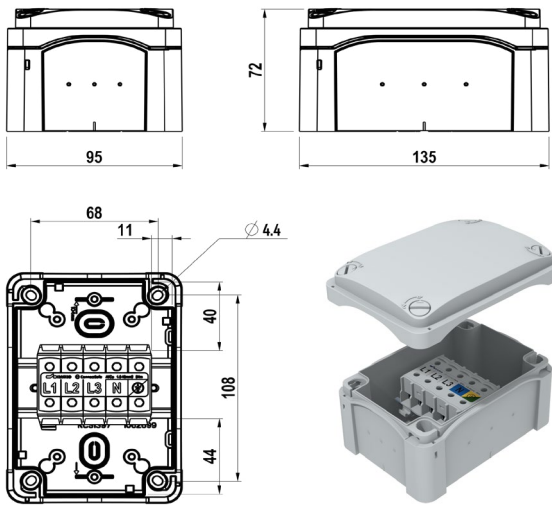


KL1X300

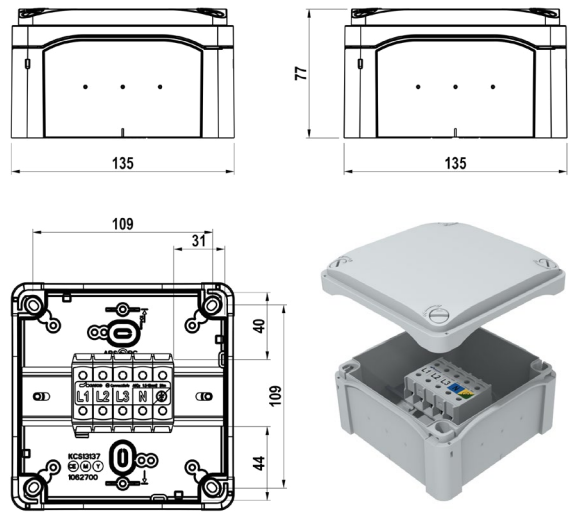


KL2X300

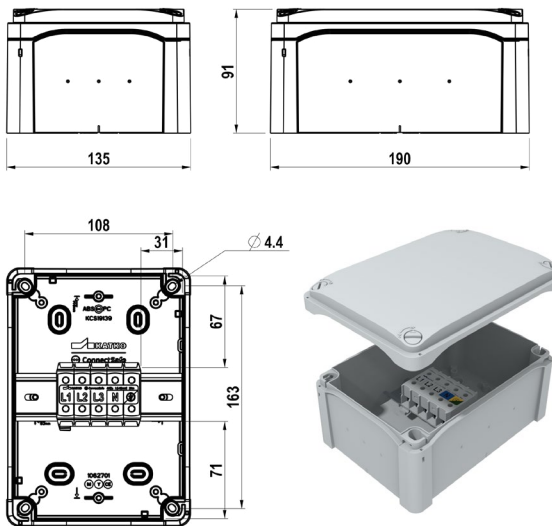
DIMENSIONAL DRAWINGS ENCLOSED TERMINAL BLOCKS



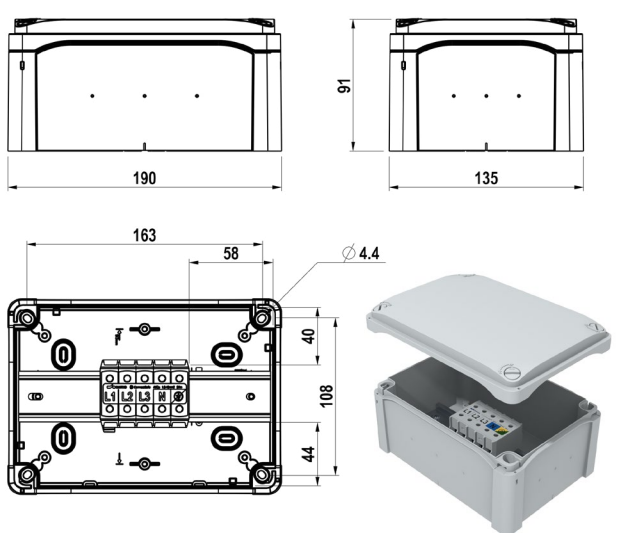
KLM5X1X16 KCS1397PC V



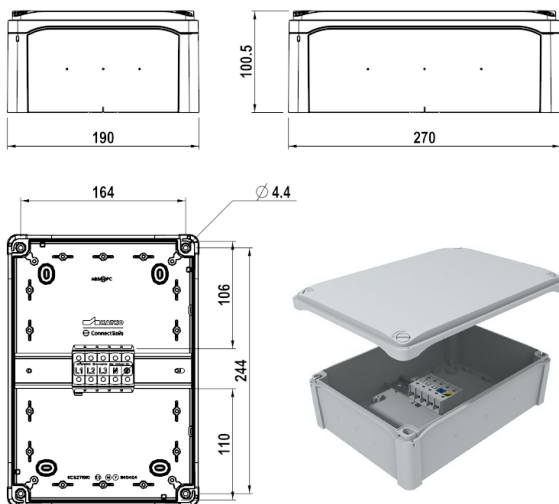
KLM5X1X16 KCS13137PC



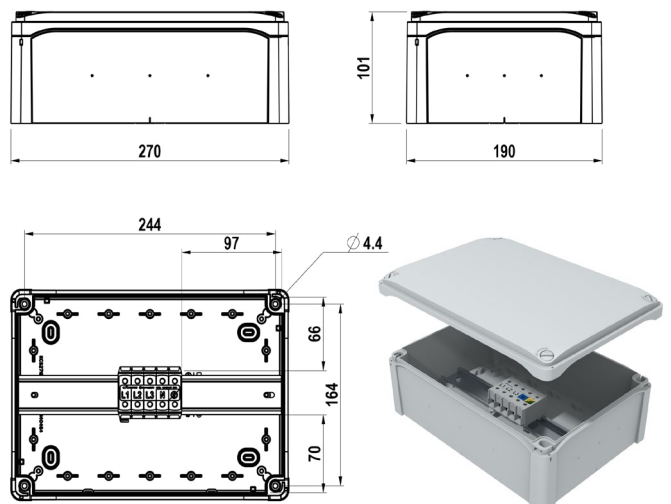
KLM5X1X16 KCS19139PC V



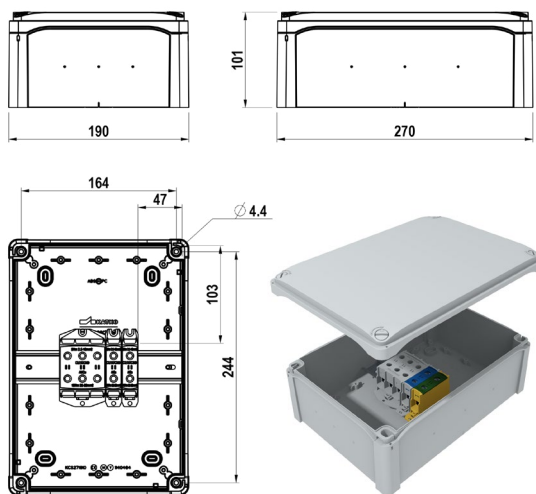
KLM5X1X16 KCS19139PC H



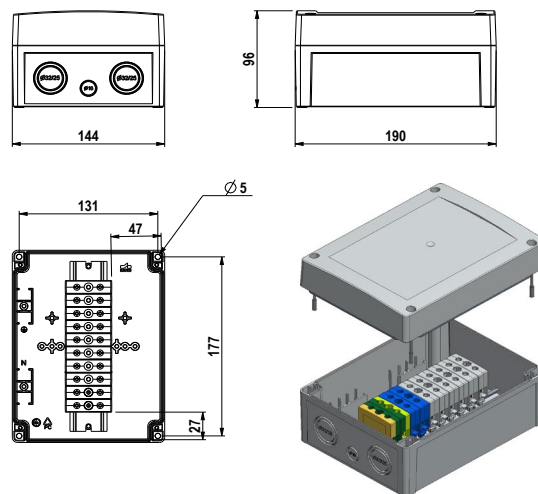
KLM5X1X16 KCS271910PC V



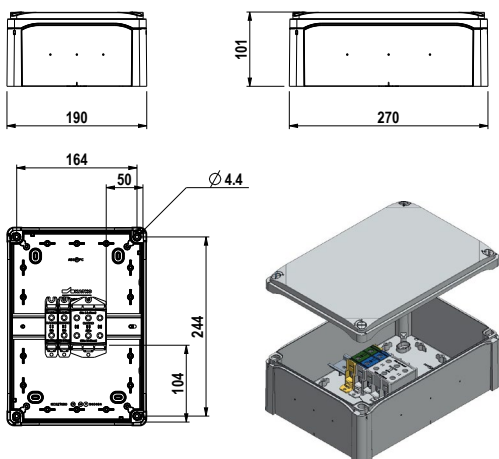
KLM5X1X16 KCS271910PC H



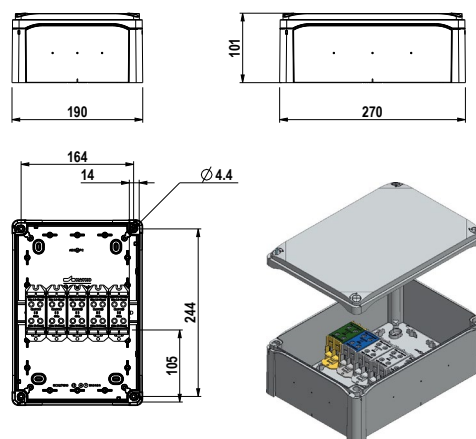
KLM5X1X50 KCS271910PC V



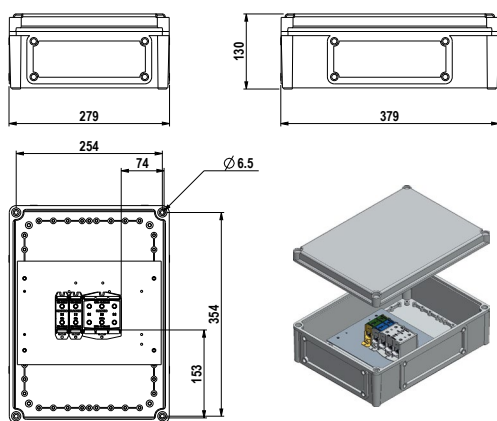
KLM2X16 M3 4XM32P



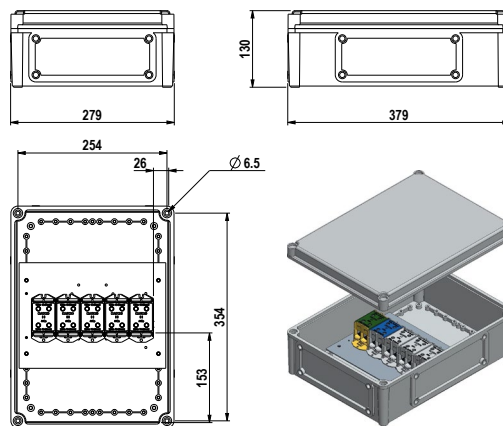
KLM1X50 M4 2XM40P



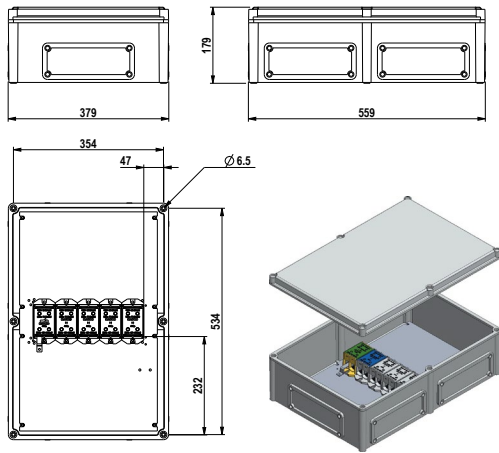
KLM2X50 M4 4XM40P



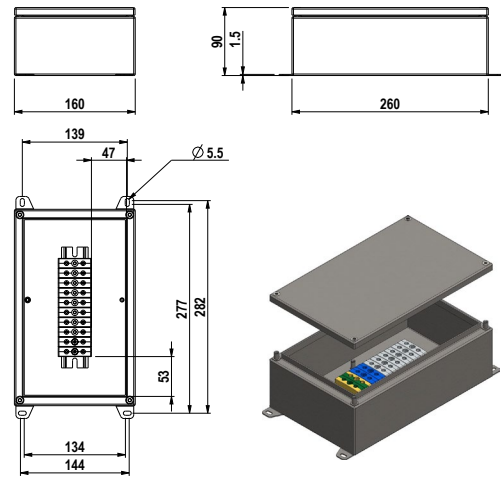
KLM1X95 MF01 2XM63P



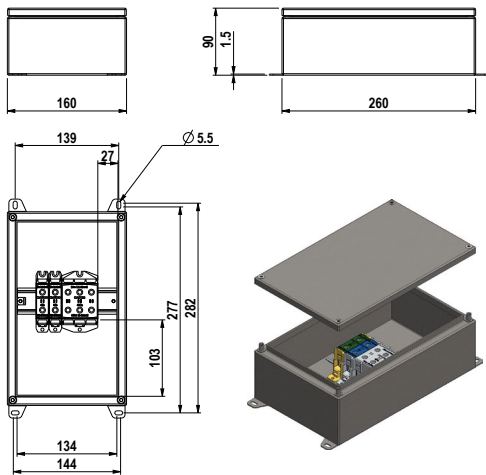
KLM2X95 MF01 4XM63P



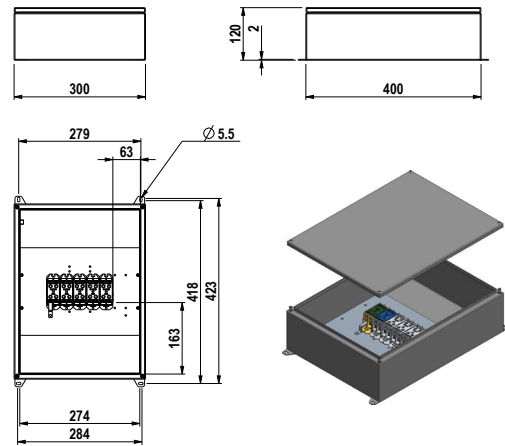
KLM2X150 MF03 4XM63P



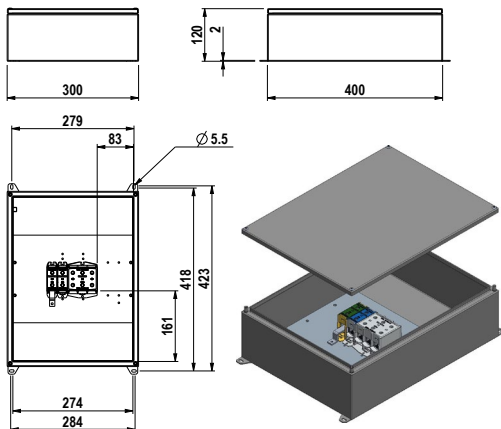
KLR2X16 RA4 4XM32M



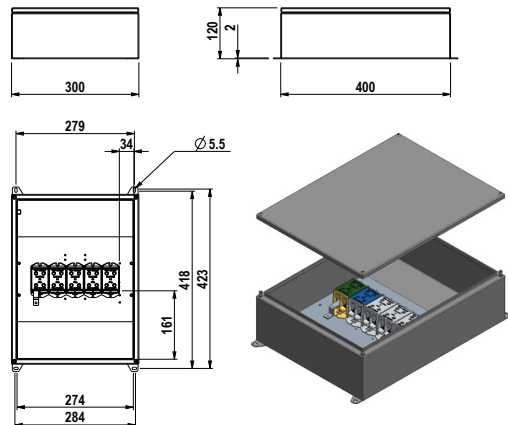
KLR1X50 RA4 2XM40M



KLR2X50 RA4 4XM40M

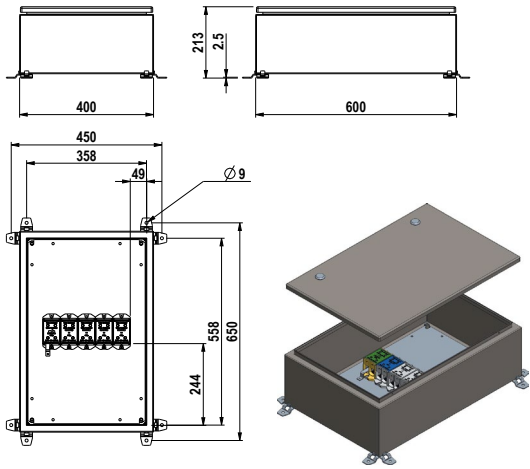


KLR1X95 RA5 2XM63M

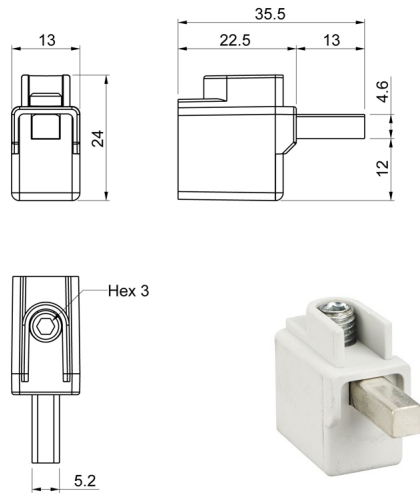


KLR2X95 RA5 4XM63M

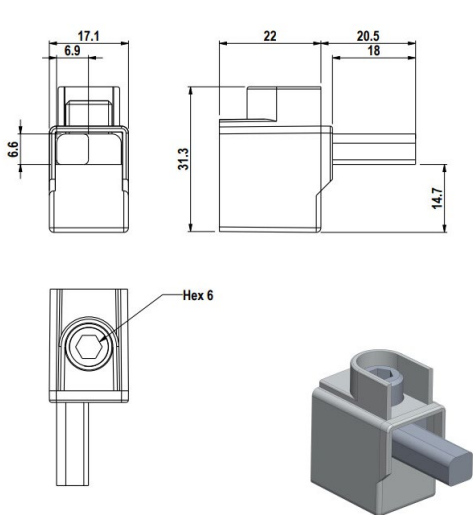
DIMENSIONAL DRAWINGS KKL CABLE CONNECTORS



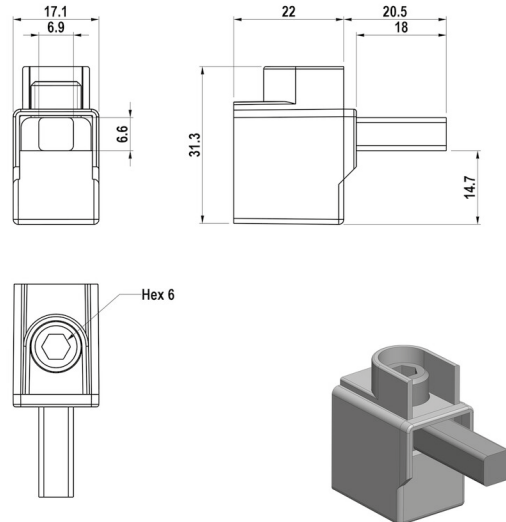
KLR2X150 R6 4XM63LM



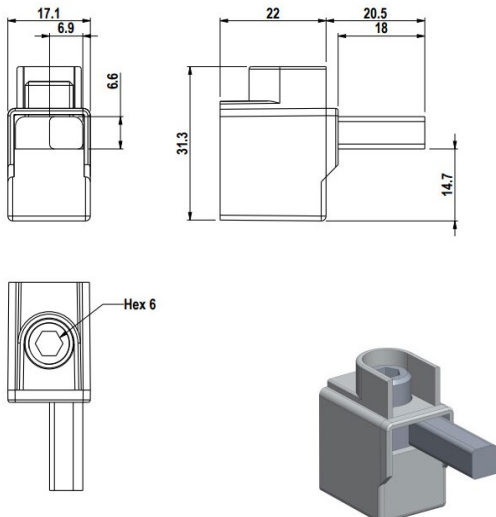
KKL1X16



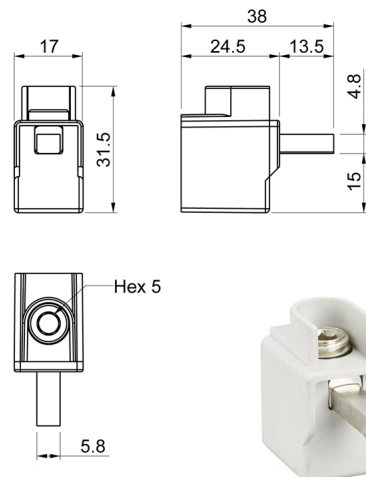
KKL1X50T1



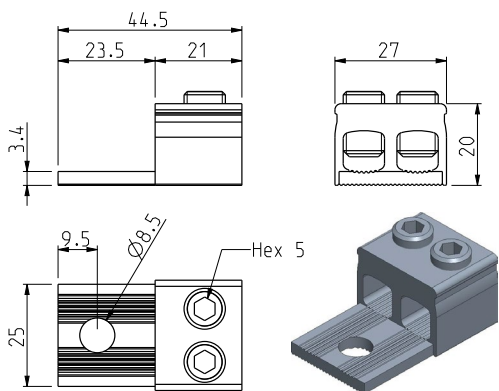
KKL1X50T2



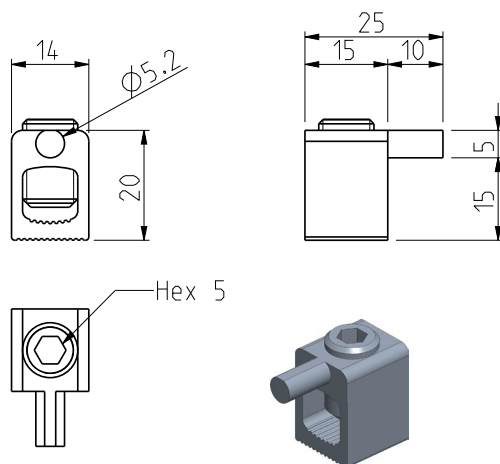
KKL1X50T3



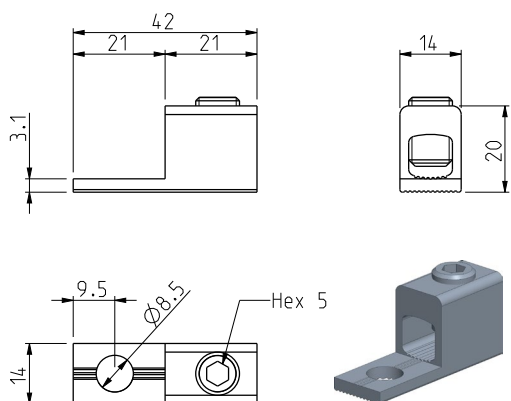
KKL1X50M



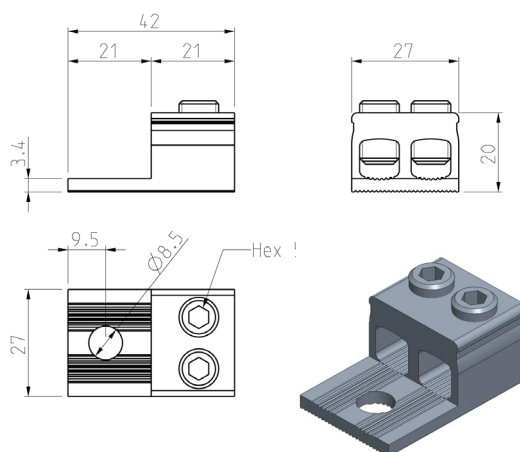
KKL2X50M



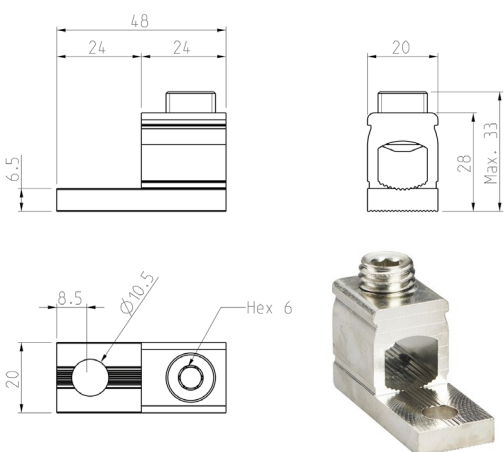
KKL1X50N



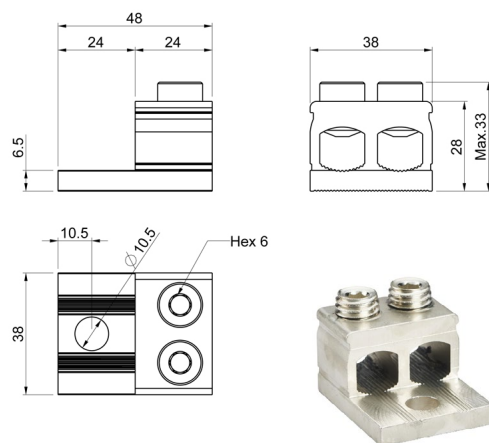
KKL1X50



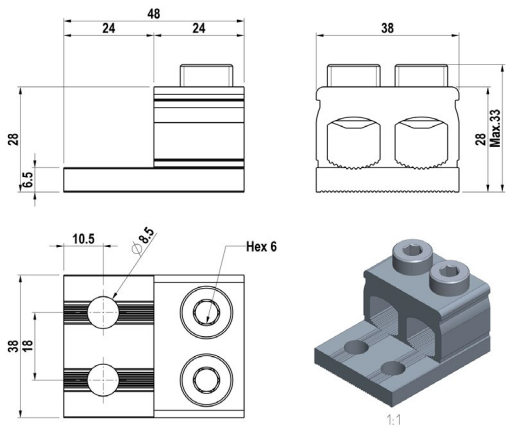
KKL2X50



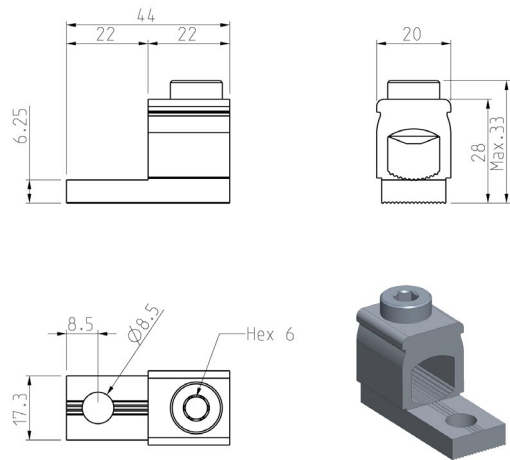
KKL1X95



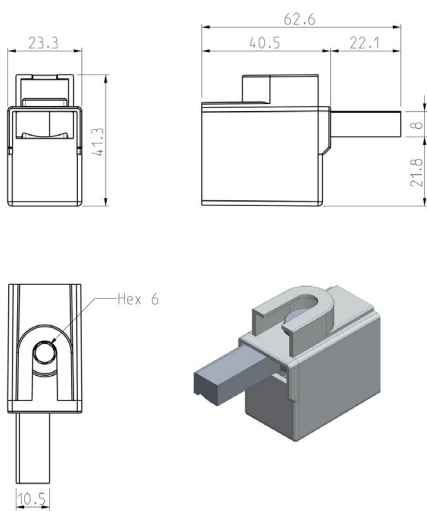
KKL2X95



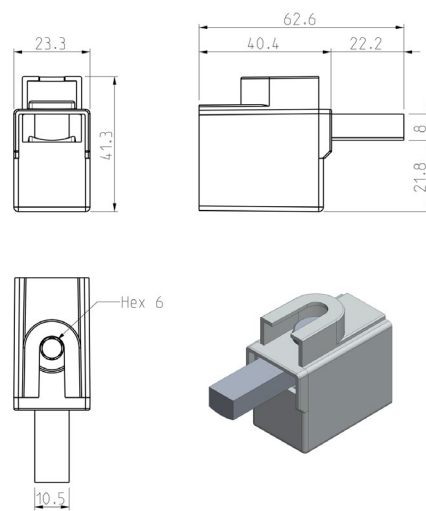
KKL2X95LR



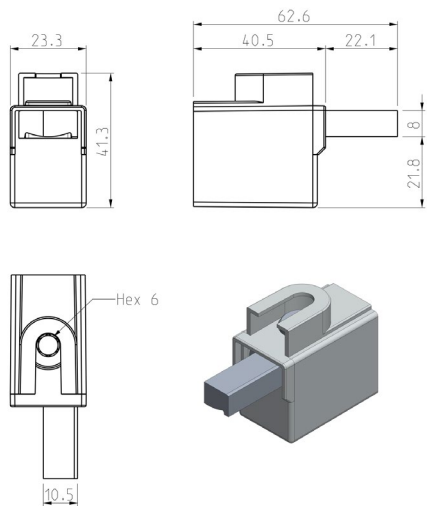
KKL1X95M



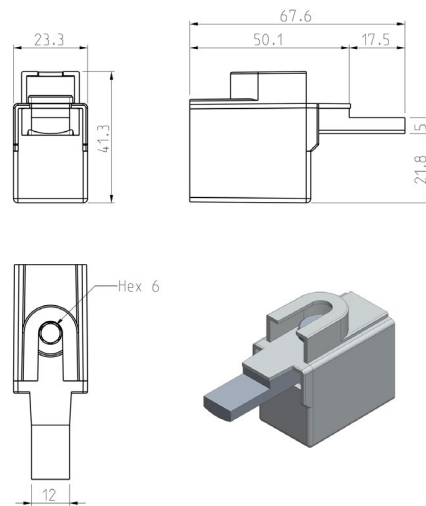
KKL1X120T1



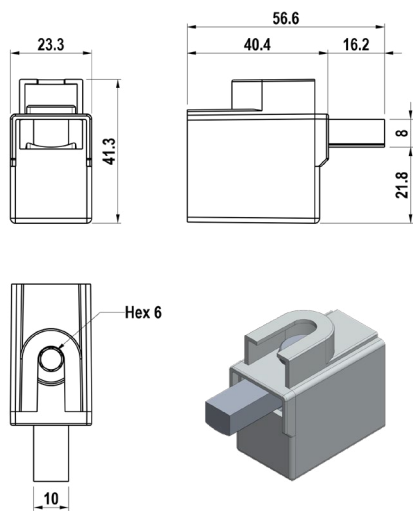
KKL1X120T2



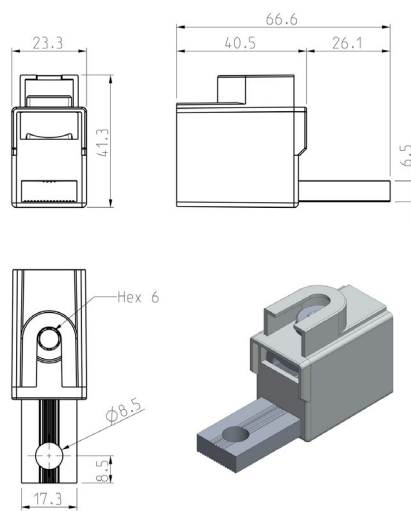
KKL1X120T3



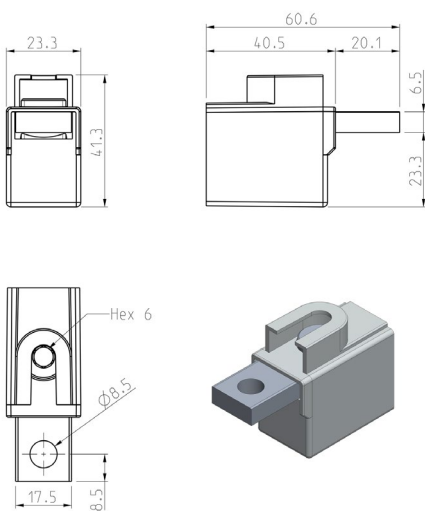
KKL1X120T



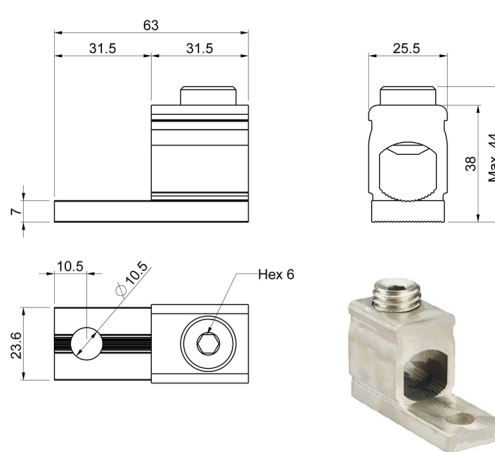
KKL1X120TM



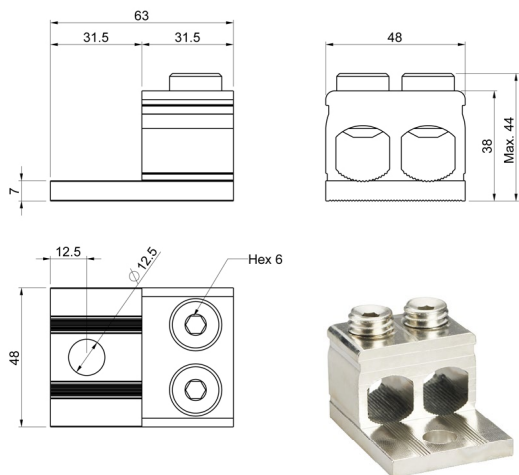
KKL1X120RS



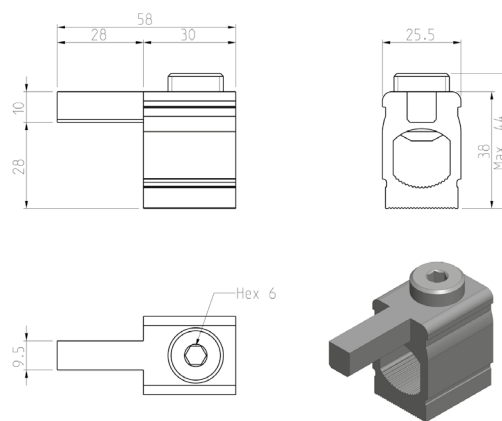
KKL1X120RSY



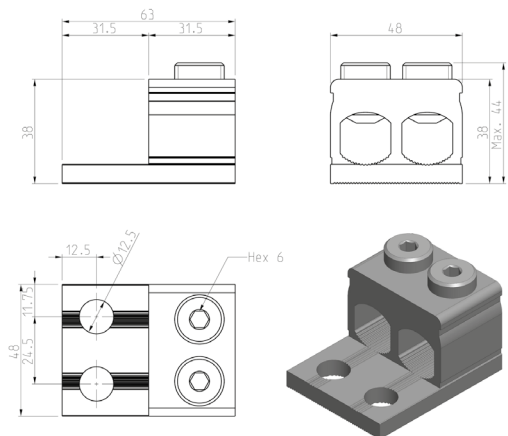
KKL1X150



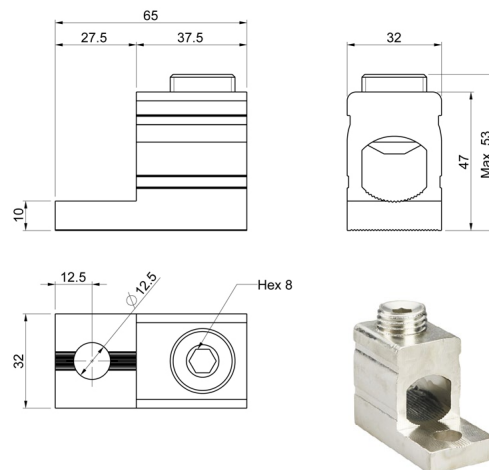
KKL2X150



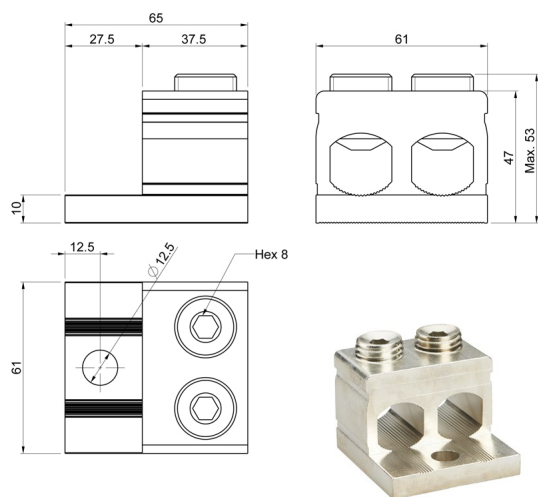
KKL1X150T2



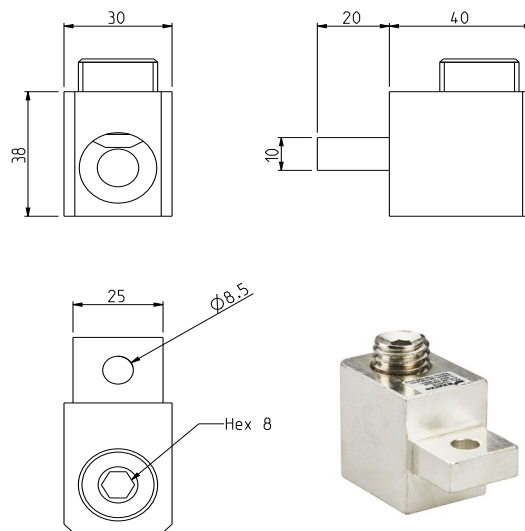
KKL2X150LR



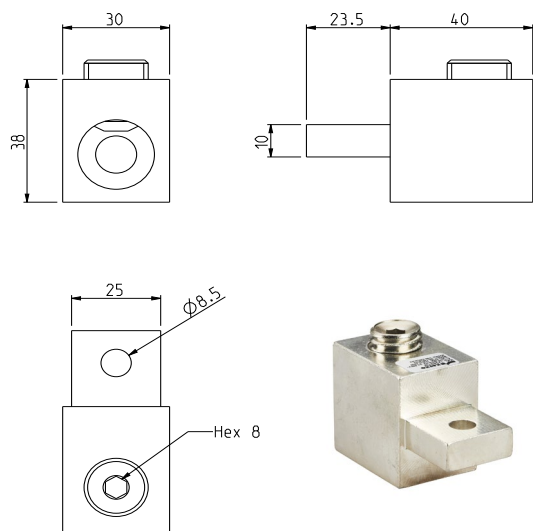
KKL1X240



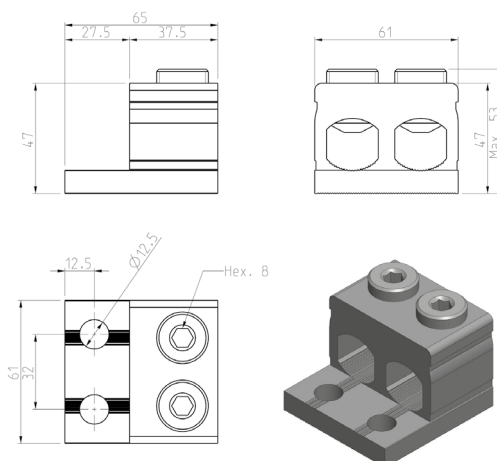
KKL2X240



KKL1X240TE

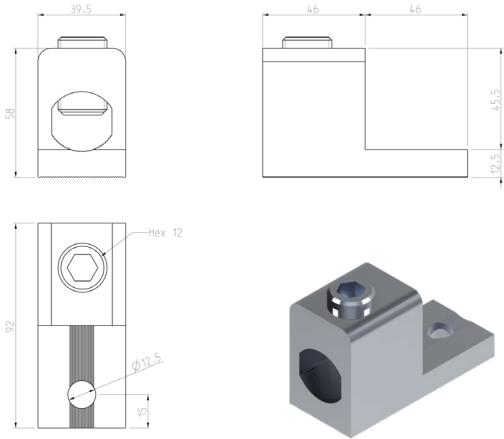


KKL1X240TM

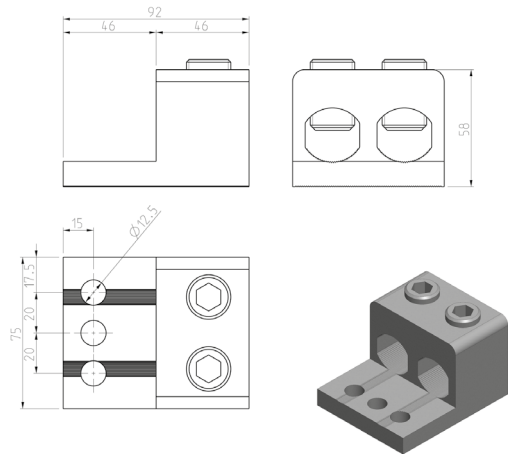


KKL2X240LR

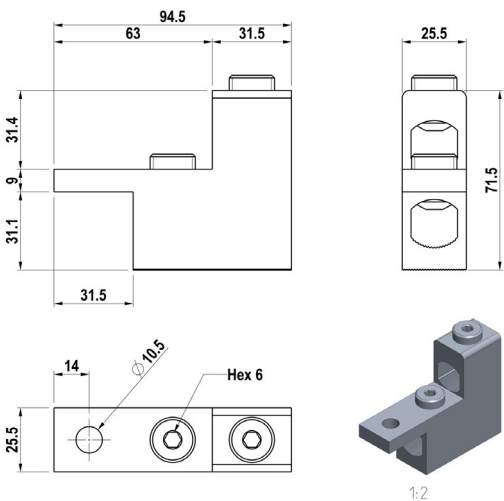
DIMENSIONAL DRAWINGS CABLE CONNECTORS & KKL VERTICAL CABLE CONNECTORS



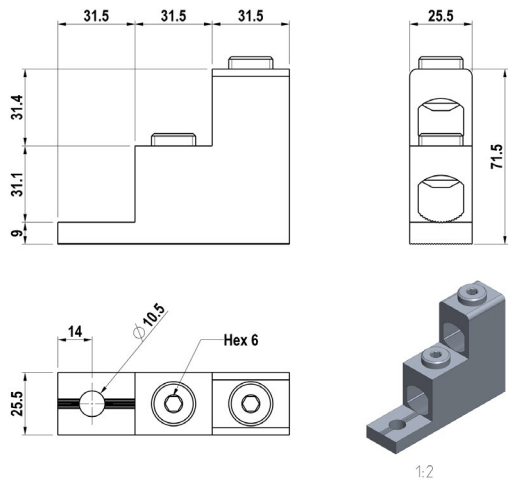
KKL1X300



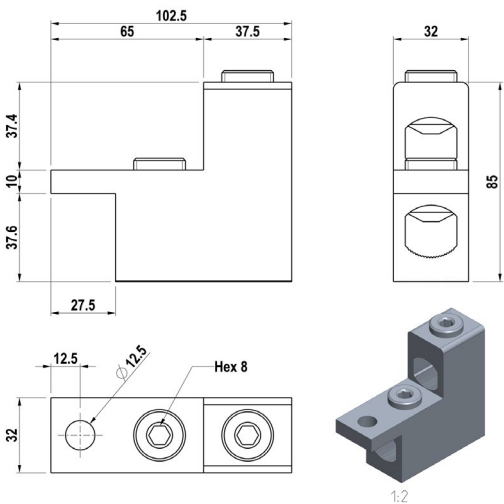
KKL2X300



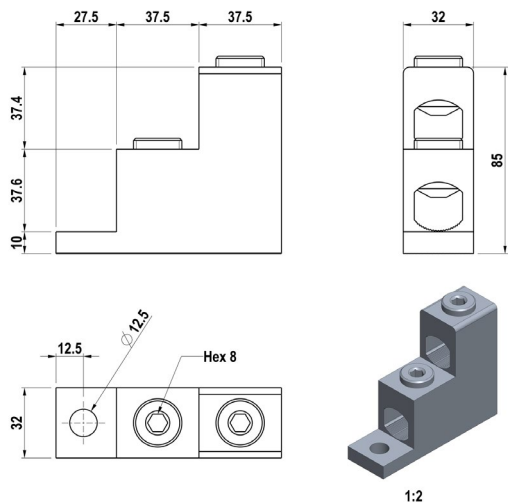
KKL2X150VM



KKL2X150VB

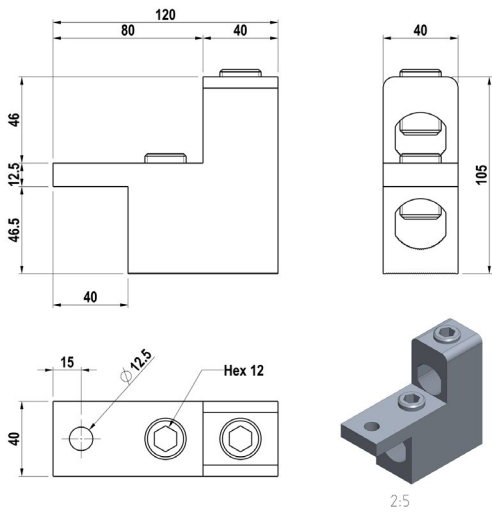


KKL2X240VM

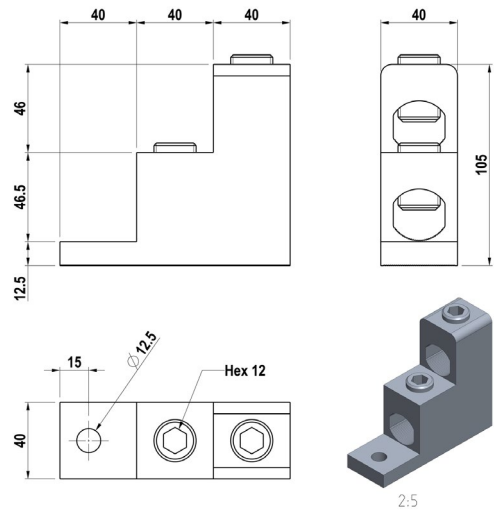


KKL2X240VB

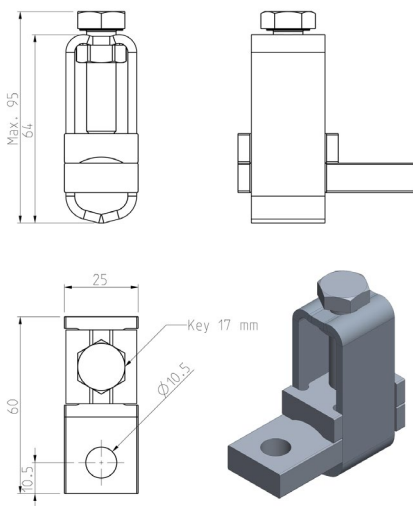
DIMENSIONAL DRAWINGS KKL VERTICAL CABLE CONNECTORS & KLH CABLE CONNECTORS



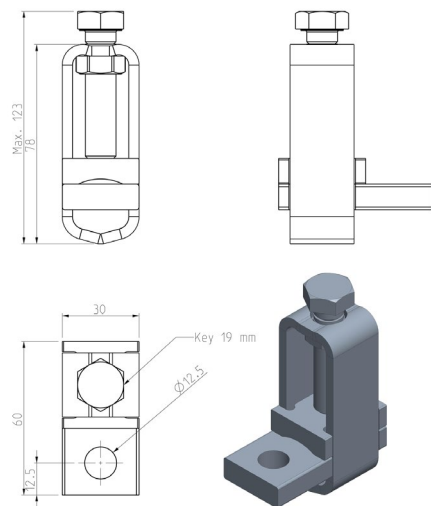
KKL2X300VM



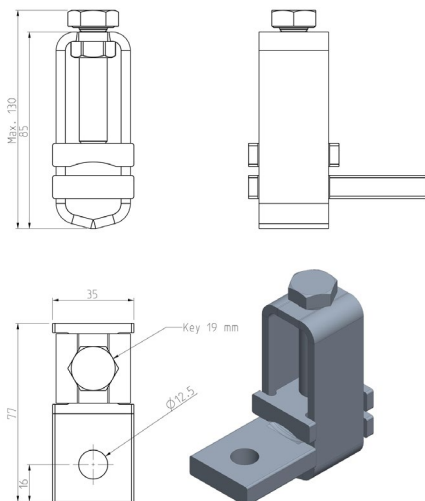
KKL2X300VB



KLH2X150

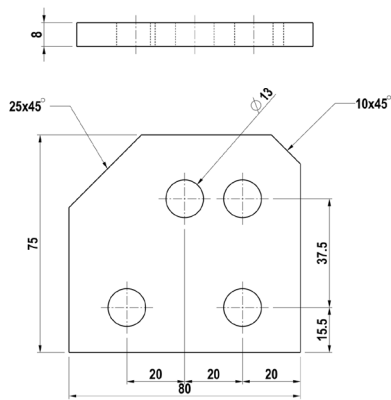


KLH2X240

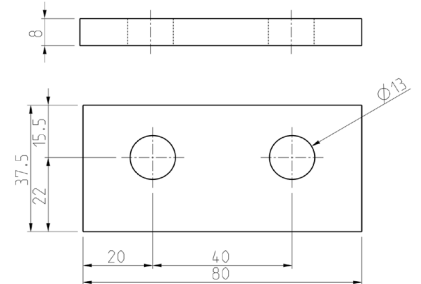


KLH2X300

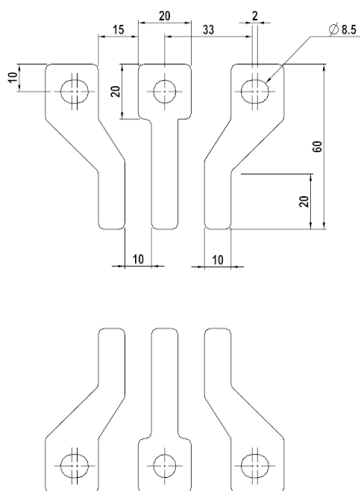
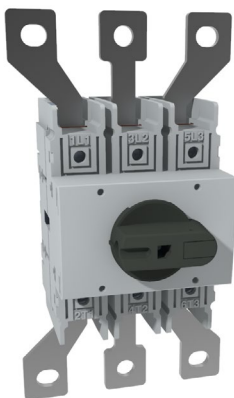
DIMENSIONAL DRAWINGS OF SPREADERS



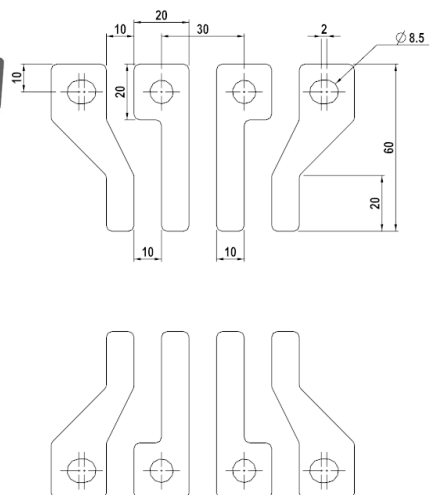
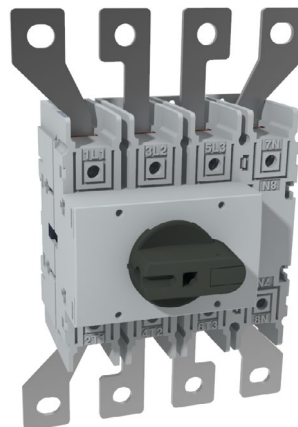
ALK800



ALK800C

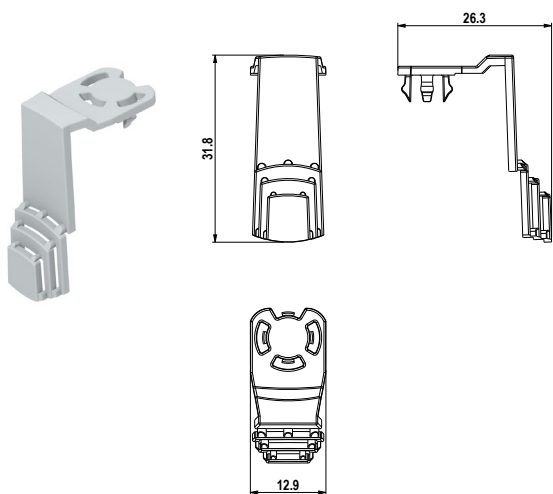


ALK3160 (model installation)

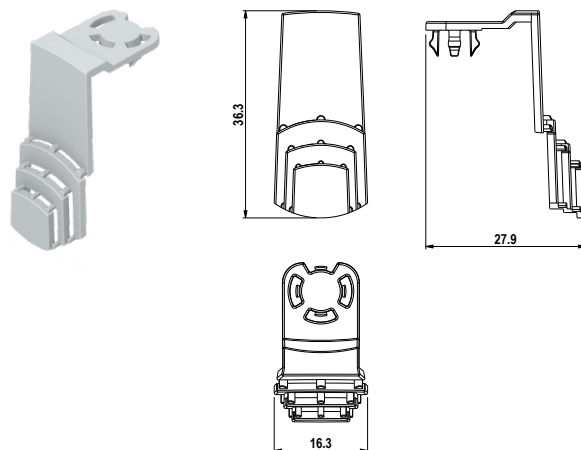


ALK4160 (model installation)

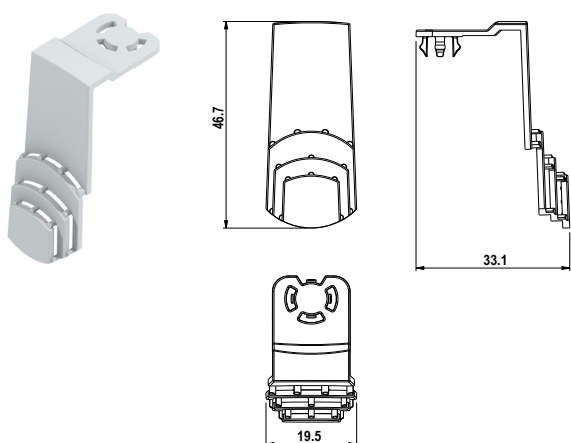
DIMENSIONAL DRAWINGS OF TERMINAL SHROUDS



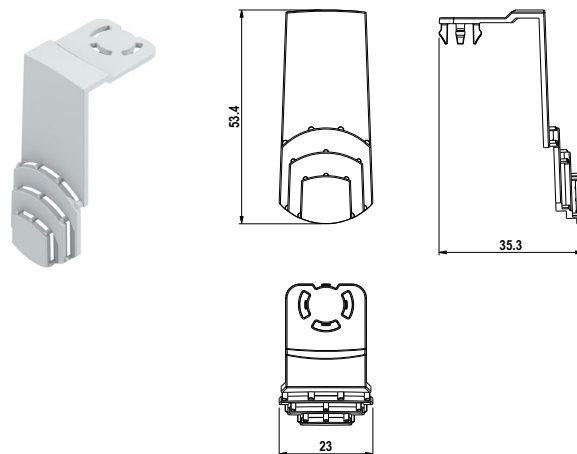
KLTS50



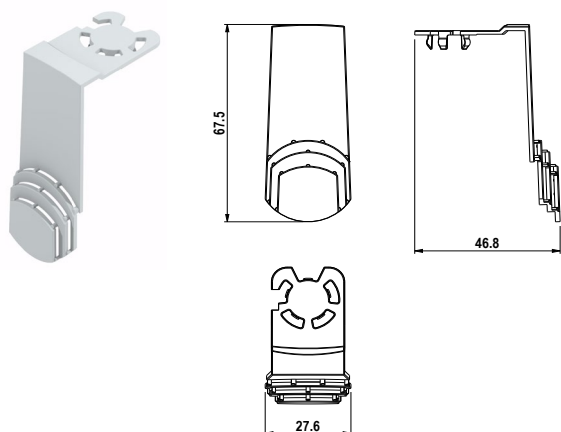
KLTS95



KLTS150



KLTS240



KLTS300

NUMBER OF CONDUCTORS SIMULTANEOUSLY CONNECTABLE TO THE TERMINAL

				Cross section (mm ²)/ number of conductors simultaneously connectable to the terminal																
Type	In [A]	Torque [Nm]																		
				1,5	2,5	4	6	10	16	25	35	50	70	95	120	150	185	240	300	
1X16*	75	5 Nm (2,5-16 mm ²)	Al	-	1	1	1	1	1	-	-	-	-	-	-	-	-	-	-	
	76		Cu	3	3	3	2	1	1	-	-	-	-	-	-	-	-	-	-	
1X50* 3X50* 3X1X50*	160	5Nm (2,5-16mm ²) 10Nm (25-50mm ²)	Al	-	1	1	1	1	1	1	1	1	1	-	-	-	-	-	-	
			Cu	-	3	3	3	3	2	1	1**	1	-	-	-	-	-	-	-	
2X50*	200	5Nm (2,5-16mm ²) 10Nm (25-50mm ²)	Al	-	1	1	1	1	1	1	1	1	1	-	-	-	-	-	-	
	320		Cu	-	3	3	3	3	2	1	1**	1	-	-	-	-	-	-	-	
1X95* 3X95* 3X1X95*	200	12Nm (16-50mm ²) 22Nm (70-95mm ²)	Al	-	-	-	-	-	-	1	1	1	1	1	1	-	-	-	-	
	245		Cu	-	-	-	-	-	-	3	2	2	1	1**	1	-	-	-	-	
2X95*	400	12Nm (16-50mm ²) 22Nm (70-95mm ²)	Al	-	-	-	-	-	-	1	1	1	1	1	1	-	-	-	-	
	490		Cu	-	-	-	-	-	-	3	2	2	1	1**	1	-	-	-	-	
1X150*	250	12Nm (25-50mm ²) 22Nm (70-95mm ²) 38Nm (120-150mm ²)	Al	-	-	-	-	-	-	-	-	-	1	1	1	1	1	1	-	
	320		Cu	-	-	-	-	-	-	-	-	-	3	3	2	1	1	1**	1	
2X150*	500	12Nm (25-50mm ²) 22Nm (70-95mm ²) 38Nm (120-150mm ²)	Al	-	-	-	-	-	-	-	-	-	1	1	1	1	1	1	-	
	640		Cu	-	-	-	-	-	-	-	-	-	3	3	2	1	1	1**	1	
1X240*	315	25Nm (35-120mm ²) 55Nm (150-240mm ²)	Al	-	-	-	-	-	-	-	-	-	-	1	1	1	1	1	1	
	425		Cu	-	-	-	-	-	-	-	-	-	-	3	3	2	1	1	1**	1
2X240*	630	25Nm (35-120mm ²) 55Nm (150-240mm ²)	Al	-	-	-	-	-	-	-	-	-	-	1	1	1	1	1	1	
	850		Cu	-	-	-	-	-	-	-	-	-	-	3	3	2	1	1	1**	1
1X300*	400	45 Nm (95-120 mm ²) 75 Nm (150-300 mm ²)	Al	-	-	-	-	-	-	-	-	-	-	-	1	1	1	1	1	
	520		Cu	-	-	-	-	-	-	-	-	-	-	-	2	2	1	1	1**	1
2X300*	800	45 Nm (95-120 mm ²) 75 Nm (150-300 mm ²)	Al	-	-	-	-	-	-	-	-	-	-	-	1	1	1	1	1	
	1040		Cu	-	-	-	-	-	-	-	-	-	-	-	2	2	1	1	1**	1

				Cross section (mm ²)/ number of conductors simultaneously connectable to the terminal																
Type	In [A]	Torque [Nm]																		
				1,5	2,5	4	6	10	16	25	35	50	70	95	120	150	185	240	300	
2X150	455	44 Nm (50-150 mm ²)	Al	-	-	-	-	-	-	-	-	-	-	1	1	1	1	1	-	
	579		Cu	-	-	-	-	-	-	-	-	-	-	2	1	1	1	1	-	
2X240	631	75 Nm (95-240 mm ²)	Al	-	-	-	-	-	-	-	-	-	-	-	1	1	1	1	1	
	806		Cu	-	-	-	-	-	-	-	-	-	-	-	2	2	1	1	1	
2X300	810	75 Nm (185-300 mm ²)	Al	-	-	-	-	-	-	-	-	-	-	-	-	-	-	1	1	
	1035		Cu	-	-	-	-	-	-	-	-	-	-	-	-	-	-	1	1	

* N = Blue = only for one neutral conductor

* PE = Yellow/green = only for one protective conductor

* P = Red

* M = Black

** Biggest fine-stranded conductor with end sleeve

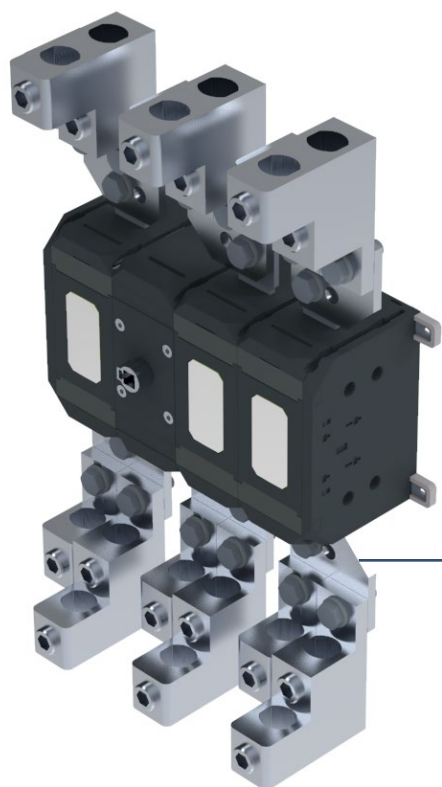
Al conductors may be solid or multi-strand conductors. Cu conductors may be solid, multi-strand or fine-strand conductors. With fine strand Cu conductors use of cable end sleeve is recommended but not required.

Type	In [A]	Torque [Nm]		Cross section (mm ²) / number of conductors simultaneously connectable to the terminal															
				1,5	2,5	4	6	10	16	25	35	50	70	95	120	150	185	240	300
1X16	63	2,2Nm (1,5-16mm ²)	Al	1	1	1	1	1	1	-	-	-	-	-	-	-	-	-	
			Cu	3	3	3	2	1**	1	-	-	-	-	-	-	-	-	-	-
1X50 / 1X50N / 1X50M / 1X50T1 / 1X50T2 / 1X50T3	160	5Nm (2,5-16mm ²) 10Nm (25-50mm ²)	Al	-	-	-	-	-	1	1	1	1	-	-	-	-	-	-	
	Cu		-	3	3	3	3	2	1	1**	1	-	-	-	-	-	-	-	
2X50 2X50M	200	5Nm (2,5-16mm ²) / 10Nm (25-50mm ²)	Al	-	1	1	1	1	1	1	1	1	-	-	-	-	-	-	
	320		Cu	-	3	3	3	3	2	1	1**	1	-	-	-	-	-	-	
1X95 1X95M	200	12Nm (16-50mm ²) 22Nm (70-95mm ²)	Al	-	-	-	-	-	1	1	1	1	1	1	-	-	-	-	
	245		Cu	-	-	-	-	-	3	2	2	1	1**	1	-	-	-	-	
2X95 2X95LR	400	12Nm (16-50mm ²) 22Nm (70-95mm ²)	Al	-	-	-	-	-	1	1	1	1	1	1	-	-	-	-	
	490		Cu	-	-	-	-	-	3	2	2	1	1**	1	-	-	-	-	
1X120 / 1X120RS / 1X120RSY / 1X120T / 1X120T1 / 1X120T2 / 1X120T3 / 1X120TM	200	12Nm (16-50mm ²) 22Nm (70-120mm ²)	Al	-	-	-	-	-	1	1	1	1	1	1	1	-	-	-	
	245		Cu	-	-	-	-	-	3	2	2	1	1**	1	1	-	-	-	
1X150 / 1X150T2	250	12Nm (25-50mm ²) 22 Nm (70-95 mm ²) 38Nm (120-150mm ²)	Al	-	-	-	-	-	-	1	1	1	1	1	1	1	-	-	
	320		Cu	-	-	-	-	-	-	3	3	2	1	1	1**	1	-	-	
2X150 / 2X150VB / 2X150VM / 2X150LR	500	12 Nm (25-50 mm ²) 22 Nm (70-95 mm ²) 38 Nm (120-150 mm ²)	Al	-	-	-	-	-	-	1	1	1	1	1	1	1	-	-	
	640		Cu	-	-	-	-	-	-	3	3	2	1	1	1**	1	-	-	
1X240 / 1X240TM / 1X240TE	315	25Nm (35-120mm ²) 55Nm (150-240mm ²)	Al	-	-	-	-	-	-	-	1	1	1	1	1	1	1	1	
	425		Cu	-	-	-	-	-	-	-	3	3	2	1	1	1	1**	1	
2X240 / 2X240MB / 2X240VB / 2X240VM / 2X240LR	630	25Nm (35-120mm ²) 55Nm (150-240mm ²)	Al	-	-	-	-	-	-	-	1	1	1	1	1	1	1	1	
	850		Cu	-	-	-	-	-	-	-	3	3	2	1	1	1	1**	1	
1X300	400	45 Nm (95-120 mm ²) 75 Nm (150-300 mm ²)	Al	-	-	-	-	-	-	-	-	-	-	1	1	1	1	1	
	520		Cu	-	-	-	-	-	-	-	-	-	-	2	2	1	1	1**	
2X300 2X300VB 2X300VM	800	45 Nm (95-120 mm ²) 75 Nm (150-300 mm ²) 45 Nm (95-120 mm ²) 75 Nm (150-300 mm ²) 45 Nm (95-120 mm ²) 75 Nm (150-300 mm ²)	Al	-	-	-	-	-	-	-	-	-	-	1	1	1	1	1	
	1040		Cu	-	-	-	-	-	-	-	-	-	-	2	2	1	1	1**	

** Biggest fine-stranded conductor with end sleeve

Al conductors may be solid or multi-strand conductors. Cu conductors may be solid, multi-strand or fine-strand conductors. With fine strand Cu conductors use of cable end sleeve is recommended but not required.

KATKO SWITCHES AND CABLE CONNECTORS COMPATIBILITY TABLE

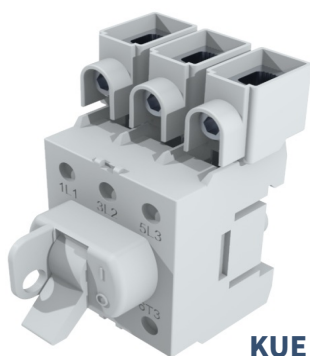
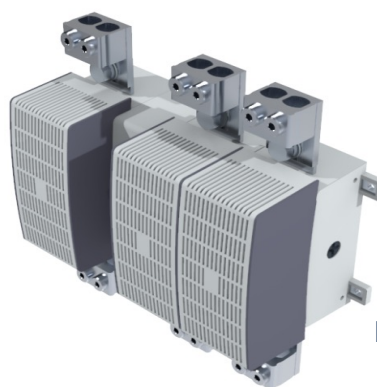


- Following tables show compatibility of KATKO switches and cable connectors and most common combinations
- With spreaders it is possible to mount different combinations of connectors and switches that are not shown in these tables. Ask your local sales person for more information.

SPREADER (ALK800)

KU 3800 + 3 x KKL2X300VB (TOP) + 3 x KKL1X300 (TOP) + 3 x KKL2X300VB (BOTTOM) + 3 x KKL1X300 (BOTTOM)

Switch	KU								
	16 - 40 (3-pole)	16 - 40 N (3-pole)	16 - 40 N (4-pole)	63 - 80 N (3-pole)	63 - 80 N (4-pole)	100 - 160 (3-pole)	160P + 200 - 250	315 - 400	630 - 800 (3-pole)
16 mm ²	KKL3X1X16T	KKL1X16 (only top)	KKL1X16 (only top)	KKL1X16 (only top)	KKL1X16 (only top)	-	-	-	-
50 mm ²	-	KKL1X50M (only top)	KKL1X50M (only top)	KKL1X50T1+T2+T3 (top) KKL1X50T1+T2E+T3 (bottom)	KKL1X50T1+2x T2+T3 (only top)	KKL1X50T2	KKL2X50	-	-
95 mm ²	-	-	-	-	-	-	KKL1X95	-	-
120 mm ²	-	-	-	-	-	KKL1X120T	-	-	-
150 mm ²	-	-	-	-	-	-	KKL1X150, KKL2X150VM, KKL2X150VB KLH2X150	KKL1X150, KKL2X150VM, KKL2X150VB KLH2X150	KKL2X150, KKL2X150VB, KKL2X150VM, KLH2X150
240 mm ²	-	-	-	-	-	-	KKL2X240, KKL2X240VM, KKL2X240VB, KKL 2x240M8, KLH2X240	KKL2X240, KKL2X240VM, KKL2X240VB, KLH2X240	KKL2X240, KKL2X240VB, KKL2X240VM, KLH2X240
300 mm ²	-	-	-	-	-	-	-	-	KKL2X300, KKL2X300VB, KKL2X300VM, KLH2X300

**KUE 363 + 3 x KKL1X50T2****KVKE 3630 + 6 x KKL2X150**

Switch	KUE					EVA		VKA
A	16-40 N (3-pole)	16-40 N (4-pole)	63-80 N (3-pole)	63-80 N (4-pole)	63 - 125 (3-pole)	125 - 160	200 - 250	200 - 250
16 mm ²	KKL1X16 (only top)	KKL1X16 (only top)	KKL1X16 (only top)	KKL1X16 (only top)	KKL1X16 (only top)	-	-	-
50 mm ²	KKL1X50M (only top)	KKL1X50M (only top)	KKL1X50T1+T2+T3 (top) KKL1X50T1+T2E+T3 (bottom)	KKL1X50T1+2x T2+T3 (only top)	KKL 1X50T2E	KKL1X50T2	KKL2X50	KKL2X50
95 mm ²	-	-	-	-	-	-	KKL1X95	KKL1X95
120 mm ²	-	-	-	-	-	KKL1X120T1 + KKL1X120T2 + KKL1X120T3	KKL1X120RS	KKL1X120RS
150 mm ²	-	-	-	-	-	-	-	-
240 mm ²	-	-	-	-	-	-	-	-
300 mm ²	-	-	-	-	-	-	-	-

Switch	KVKE			
A	63 - 160 (3 pole)	200 - 250 (3 pole)	315 - 400	630
16 mm ²	-	-	-	-
50 mm ²	KKL1X50T2	KKL2X50	KKL2X50	-
95 mm ²	-	KKL1X95, KKL2X95	KKL1X95, KKL2X95	-
120 mm ²	KKL1X120T2	KKL1X120RS	-	-
150 mm ²	KKL1X150T2 + LS125	KKL1X150, KKL2X150LR, KKL2X150VM, KKL2X150VB, KLH2X150	KKL1X150, KKL2X150LR, KKL2X150VM, KKL2X150VB, KLH2X150	KKL2X150, KKL2X150VB, KKL2X150VM
240 mm ²	-	KKL1X240, KKL2X240LR, KKL2X240VB, KKL2X240VM, KLH2X240	KKL1X240, KKL2X240LR, KKL2X240VB, KKL2X240VM, KLH2X240	KKL2X240, KKL2X240VB, KKL2X240VM, KLH2X240
300 mm ²	-	-	-	KKL2X300, KKL2X300VB, KKL2X300VM, KLH2X300



ConnectSafe

Katko is a Finnish electrical industry company, specializing in designing, manufacturing, and delivering leading solutions for the electrical installation sector. At Katko, we are pioneering high-quality electrical switches and other installation products. Our commitment to sustainability and installer-friendly solutions sets us apart in the industry. Supported by our extensive network of distribution partners and manufacturing facilities in Finland and Poland, we are able to ensure the availability of our solutions in over 70 countries around the globe.

KATKO Oy

Ruosilantie 2
00390, Helsinki, Finland

info@katko.com

+358 (0)9 849 600

www.katko.com