

GENERAL CATALOGUE

LOW VOLTAGE POWER CONNECTION
FOR INDUSTRIAL AND Ex APPLICATIONS



MARECHAL ELECTRIC

THE GROUP, OUR TECHNOLOGY, STANDARDS, REFERENCING

EVO

SEPARABLE
SWITCH-DISCONNECTOR

EVO40 40 A



DECONTACTOR™ & INDUSTRIAL SOCKET-OUTLET

PNC 16 A



DSN 20 A ▶▶▶ 63 A



PN 30 A



PNHT 30 A



SINGLE POLE POWER CONNECTORS

CS 250 A



DSP400 400 A



CS1000 500 A



MULTICONTACT CONNECTORS

PN7C 7 CONTACTS



DS7C3/6 7 CONTACTS



DN9C 9 CONTACTS



MOBILE APPLICATIONS

ELECTROMAGNETIC SELF-EJECTION



MECHANICAL SELF-EJECTING



JUNCTION AND DISTRIBUTION BOXES

DISTRIBUTION AND JUNCTION



CUSTOMISED SOLUTIONS



CONNECTORS

DECONTACTOR™ AND INDUSTRIAL SOCKET-OUTLET



SINGLE POLE



JUNCTION AND DISTRIBUTION BOXES

DISTRIBUTION AND JUNCTION



CONTROL



LIGHTING

LINEAR



FLOODLIGHT



ACCESSORIES AND SPARE PARTS

DS
30 A >>> 400 A



FC
50 A



DSHT
125 A



PFQ
400 A



PFC
600 A



SP
750 A



DSP1250
1250 A



PN12C
12 CONTACTS



DSN12C
12 CONTACTS



DN20C
20 CONTACTS



DSN24C
24 CONTACTS



DSN37C
37 CONTACTS



ANTI ENGINE START UP



DISTRIBUTION BOXES



SOLUTIONS
FOR TUNNELS



MULTICONTACTS



BOXES
AND CABINETS



SIGNAL





THE MARECHAL ELECTRIC GROUP

1954

DECONTACTOR™
DN SERIES



1976

SAFETY SHUTTER
DS SERIES



1998

WATERTIGHTNESS AND COMPACTNESS
DSN SERIES
DXN SERIES



HISTORY

Founded in 1952, the MARECHAL ELECTRIC group was born to enhance electrical safety in industrial environments. Our main product DECONTACTOR and unique silver-nickel butt-contact technology offer a safe and innovative solution that allows break under load up to 250 A and reduces the risk of accidents. The group counts among the major players in **Low Voltage LT electrical connection systems** in industrial environments with or without the presence of an EX explosive atmosphere.

MEANS

Since its inception, MARECHAL ELECTRIC Group's R&D has filed nearly 100 patents in more than 50 countries. The laboratory is approved by LCIE (Central Laboratory of Electrical Industries in France) Bureau Veritas for pre-testing and qualification of products. 5% of the turnover is invested every year in R&D to create, develop and adapt.

With a total surface area of almost 34,000 m², 9 sites are dedicated to production, assembly, inspection and shipment: France (3), Germany, Italy, Singapore, Australia, South Africa and the United States.

Our sites are certified:

- ISO 9001 (France),
- DIN EN ISO 9001 (Germany),
- UL (QLHN.E145931 for power sockets/plugs and QLIW.E85952 for bases/connectors - United States).
- ATEX and IECEx (France, Italy)
- ISO 14001 (Italy).

Its operational and/or sales subsidiaries in Europe, America, Asia, the Middle East, Africa and Australia, offer the best products and local services to the most demanding customers such as Technip, Total, Nestlé, Pepsi, Aramco, Sasol, SNCF, EDF, CEPSA, Actavis, Transnet, Arcelor, Universal Studios, Airbus, Boeing, McDonald's, Rio Tinto and BHP Billiton.

A workforce of nearly 500 worldwide includes R&D, manufacturing and commercial development skills. The product range is intended for all sectors of industrial activity where **safety** and **endurance** are required.

MARECHAL ELECTRIC Group has a recognised expertise in the global industry, it actively participates in **standardization** work by providing the Secretariat for the technical committees SC 23H of the IEC - "Power sockets for industrial uses" and SC 31-2 of the CENELEC - "Explosion-proof "d" casing", as well as chairing the French UF 23H research committee.

MARECHAL® also participates in the work of **study committees** (IEC and CENELEC) such as TC64, TC18 and TC69.



**MANUFACTURED
IN FRANCE**

70 years of expertise

2006

SINGLE POLE POWER CONNECTORS

SERIES SP
SERIES SPEX



2019

SEPARABLE SWITCH-DISCONNECTOR EVO SERIES



MARKETS AND REFERENCES

MARECHAL® and TECHNOR® products are ideal for the most demanding users, installers, integrators (EPC, OEM, etc.) where safety, reliability and endurance are required. Each year, our teams provide advice, technical follow-up and design of customised solutions as part at sites projects or sites in more than 100 countries.

The offer is segmented by areas of activity and by types of site/project: NEW or RENOVATION, industrial or ATEX areas. In order to meet the requirements of the multiple configurations of electrical installations, more than 40,000 products references are supplied every year. MARECHAL ELECTRIC Group provides solutions for critical areas or processes of the industry where reliability, strength and safety are essential.

The main industries using our products are:

- the agri-food industry (safety),
- water treatment (reliability),
- chemicals and refineries (safety and reliability),
- heavy industry (strength),
- construction and building (strength and safety),
- energy (reliability),
- transport and airports (safety and reliability),
- entertainment and medias (safety),
- fire emergency services (safety and reliability),
- mines and quarries (safety and toughness),
- ports, marinas, offshore and shipyards (toughness and safety),
- tunnels (safety),
- towns and infrastructure (safety).

MARECHAL®

Over the past 70 years, MARECHAL® has been the brand of low voltage electrical connectors designed, manufactured and controlled in France in strict compliance with the requirements of international standards (IEC and UL). Thanks to the butt-contact technology, the dozens of patents (filed in more than 50 countries) and the choice of the highly advanced materials, MARECHAL® connectors are the most reliable in the world. They guarantee the best safety for users and equipment in accordance with the requirements of the European Low Voltage Directive (LVD no. 2014/35/EU since April 20, 2016).

They are available for non-ATEX or ATEX environments (IECEx) Areas 1, 21, 2, 22:

- Separable switch disconnector (from 2 to 6 poles - 40 A).
- DECONTACTOR™ = plug + industrial switch (up to 250 A),
- multi-contact sockets (up to 37 contacts),
- industrial connectors (up to 600 A),
- single pole connectors (up to 1250 A with pilots),
- socket, distribution, break-out, junction, boxes.

TECHNOR®

Part of the Marechal Group since 2013, this brand dedicated to ATEX/IECEx products has built its reputation over more than 30 years on exceptional product quality. All the products are designed, manufactured and tested in France and Italy.

A wide range of products conforming to the ATEX or/and IECEx standards:

- explosion-proof distribution and control boxes,
- explosion-proof cast aluminium, steel, stainless steel or GRP/thermoset,
- lighting (luminaires, spot lights with fluorescent or LEDs),
- stainless steel or GRP control and junction units,
- warning/indicator lights,
- earthing systems,

These products comply with European, international (IEC) and North American (UL, CSA) standards and regulations.



ENERGY EFFICIENCY

ENERGY EFFICIENCY AND SUSTAINABLE DEVELOPMENT

By choosing MARECHAL ELECTRIC, you select a technology that combines energy efficiency and sustainable development.

REDUCE YOUR ENERGY CONSUMPTION

Industry requires energy. A running machine produces heat and therefore, energy. The optimisation of the energy consumption is key to reduce operation costs and enhance processes cost efficiency.

LIMIT YOUR CARBON FOOTPRINT BY INVESTING IN LONG-LASTING SOLUTIONS

Sustainable development will not happen without sustainable products. MARECHAL ELECTRIC products have often been installed for more than 30 years in extreme environments such as offshore oil platforms, mines, docksides, water treatment sites and industrial sites in chemicals, food and beverage or aeronautics sectors.

SAFETY & ENVIRONMENT CHARTER

MARECHAL ELECTRIC is committed to safety and the environment:

1. SAFETY FIRST AND FOREMOST

- Goal: 0 accident.
- To prevent potential risks related to our business.
- To raise awareness among employees to acquire and develop ecological reflexes.
- To promote well-being at work to establish a lasting trusting relationship with our employees.

3. DESIGN FOR AN ENERGY-EFFICIENT PRODUCT

- To choose technical solutions and high-performance materials for a durable product.
- To propose spare parts to increase the lifespan of our products.
- To improve energy efficiency and reduce the users' energy consumption thanks to MARECHAL ELECTRIC butt-style contact technology.

2. RATIONAL AND REASONABLE USE OF RESOURCES TO REDUCE OUR FOOTPRINT

- To control our water, and energy.
- To encourage good practices for the environment.
- To reduce our paper printing.
- To sort our waste to facilitate recycling.
- To favour local distribution channels, as close as possible to our suppliers.





DECONTACTOR™, CONNECTIVITY TO REDUCE YOUR ENVIRONMENTAL FOOTPRINT

DECONTACTOR™, has been developed in response to a need to limit the heating of the contacts being an excellent compensation of the thermal cycle thanks to the butt-contact technology. The quality of the materials used and especially the silver-nickel tips on the end of our contacts guarantee little contact resistance and excellent environmental performances in extreme environments.

Investing in MARECHAL ELECTRIC's solutions is therefore the guarantee of a measurable return on investment at all stages of the life cycle of the products :

- **investment:** the DECONTACTOR™ is an industrial socket with an integrated switch, it is not a simple plug.
- **installation :** our 5 A to 250 A DECONTACTOR™ break under load, hence do not require a contactor-fed pilot.,
- **use:** the DECONTACTOR™ with its silver-nickel butt-contact technology reduces heat dissipation compared with pins and sleeves solutions, generating less energy consumption,
- **maintenance:** spare parts are available for repairing damaged components, thus avoiding waste and pollution.

MARECHAL ELECTRIC products are internationally recognised for their durability which can reach more than 40 years.

THE REPAIRABILITY INDEX



The Repairability Index* aims to reduce obsolescence by providing information on whether a product is repairable or not at the time of purchase and thus extending its life and use. It is based on the following criteria:

availability of spare parts, availability of documentation, accessibility of after-sales service, ease of repair, price of spare parts.

* Decree n°2020-1757 of 27 December 2020 (France).

KEY FEATURES OF OUR DECONTACTOR™



Energy saving



Cost saving



Less cooling needed (in the data center case)



Less carbon footprint



Complementary saving dual voltage construction

SPARE PARTS CAN BE FOUND IN THE ACCESSORIES SECTION OF OUR CATALOGUE. PAGE 324





APPLICABLE STANDARDS AND DIRECTIVES

EUROPEAN REGULATION

Created in 1993, the European Union internal market is a single market where, among others, goods can circulate freely between the different countries of the Union. Furthermore, the safety and the protection of persons and of the environment is one of the main purposes of the European Regulation.

For this reason any manufacturer of potentially risky products for the end user has to affix the CE marking (meaning "European Conformity") previously to place the product on the single market complying with the requirements of the applicable European Regulation.

For the products intended to be used in potentially explosive atmospheres, the ATEX Directive 2014/34/UE is applicable.

For products intended for industrial purposes, the Low Voltage Directive (LVD) 2014/35/UE is applicable.

The ATEX and LVD directives require that a product complies with the essential safety requirements:

"Electrical equipment may be made available on the Union market only if, [...] it does not endanger the health and safety of persons [...] or property."

To reach this aim, the manufacturer can use the applicable harmonized European standards (EN standards) conferring a presumption of conformity of the product regarding the requirements of the applicable European Directive. Then the manufacturer can affix the CE marking on the product and place it on the single market .

In the case MARECHAL® devices would be associated with devices or spare parts other than from MARECHAL®, MARECHAL ELECTRIC S.A.S.'s responsibility cannot be engaged, and the **CE** marking is invalidated.

All MARECHAL® appliances are consistent with the LVD and are manufactured within the framework of an ISO 9001 quality control system.

Compliance with the French Labour Code, article R.4226-12, in accordance with the decree Royal Spanish 842/2002 REBT, ITC- BT-19, in conformity with the American standard NFPA70E

**MINISTERIAL
DECREE DATED
20/12/2011**

Order relating to removable electrical devices and their conditions of connection and use.

This Order was published in the Official Journal on 27 January 2012. It stipulates:

Art. 6. - The joining or separation of the two parts of power sockets, extension cords and current connectors with a rating **higher than 32 amps**, must only be able to be performed off load.

All MARECHAL® appliances comply with this order.

IEC/EN INTERNATIONAL STANDARDS

MARECHAL® devices comply with the following standards:

- IEC/EN 60309-1 : power outlets for industrial uses - Part 1: General rules
- IEC/EN 60309-4 : Power outlets for industrial uses - Part 4: Switched socket-outlets and connectors with or without interlock.

The break capacity of the MARECHAL® DECONTACTOR™ is tested according to the following standard:

- IEC/EN 60947-3 : low voltage appliances - Part 3: Switches, disconnectors, switch-disconnectors and fuse-combination units.

For specific uses, the MARECHAL® appliances comply with the following standard:

- IEC/EN 61984 : connectors.

All MARECHAL products for ATEX comply with the following standard:

- IEC/EN 60079.





UL/CSA AMERICAN STANDARDS

MARECHAL® devices comply with the following standards:


- UL 1682 (United States) and CSA C22.2 N° 182.1-07 (Canada) : power sockets and connectors.
- UL 2682 (United States) : power sockets with break capacity for motor connection.



DEFINITIONS

 Ingress protection according to IEC/EN 60529	1st digit: protection against solid foreign objects 2 = protection against dangerous live parts with a finger 4 = protection against dangerous live parts with a wire of a diameter superior or equal to 1mm 5 = protection against dust 6 = dustproof	2nd digit: protection against ingress of water 4 = protection against water splashes 5 = protection against water jets 6 = protection against powerful water jets (fire hose) 7 = protection against a 30-minutes immersion up to 1m 8 = protection against a prolonged immersion for a determined period 9 = protection against high pressure water jets at high temperature
 Index of resistance to mechanical shocks according to IEC/EN 62262	IK08 = withstands a shock of 1.7 kg to 30 cm (5 joules) IK09 = withstands a shock of 5 kg to 20 cm (10 joules) IK10 = withstands a shock of 5 kg to 40 cm (20 joules)	
 Switching capacity according to IEC/EN 60947-3	AC-21 = Resistive on load breaking (simple switchgear, lighting) AC-22 = Mix resistive and inductive on load breaking AC-23 = High inductive on load breaking (motor) AC-3 = Start And Switching Off - Squirrel Cage Motors	
 Pilot and auxiliary	Pilot A pilot circuit is meant to electrically control a switchgear that energizes/ de-energizes a socket-outlet after plugging, and before unplugging an apparatus, to protect the operator. This switchgear is controlled: <ul style="list-style-type: none"> • by means of a microswitch located inside the socket-outlet (non-crossing pilot circuit), mechanically operated by the plug; • by means of a contact or a pair of contacts, plug side and socket-outlet side (crossing pilot circuit), that make last and break first (LIFO: last-in/first-out), integrated in the control circuit. Auxiliaries Additional to the main contacts, auxiliary contacts are located plug side and socket-outlet side, and are intended for signal, communication, thermistor, etc...	

HAZARDOUS AREA CERTIFICATION

ATEX 	Certification according to European directive 2014/34/EU on all equipments used in or related to explosive atmospheres.		
IECEX	Complying with international standards for electrical and non-electrical equipment for use in potentially explosive atmosphere areas.		

Presence of potentially explosive atmosphere	Permanent	Occasional	Rare
Zoning for gas & vapours	Zone 0	Zone 1	Zone 2
Zoning for dust & fiber	Zone 20	Zone 21	Zone 22

■ Performance level of MARECHAL® devices.



DECONTACTOR™ TECHNOLOGY



DECONTACTOR™, A ONE OF A KIND DESIGN IN THE WORLD

The DECONTACTOR™ is a device which combines

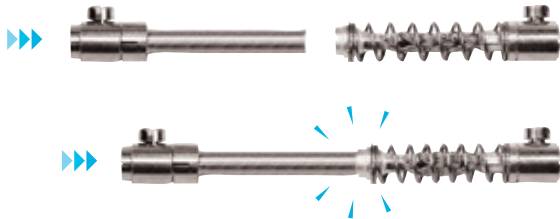
- the advantages of a **power socket**,
- and the performance of a **switch**.

With 70 years of research and innovation, the DECONTACTOR™ range offers a level of reliability and safety not yet equalled anywhere in the world.

It allows devices to be connected and disconnected thousands of times and in the most severe environments in perfect **safety** for the user!

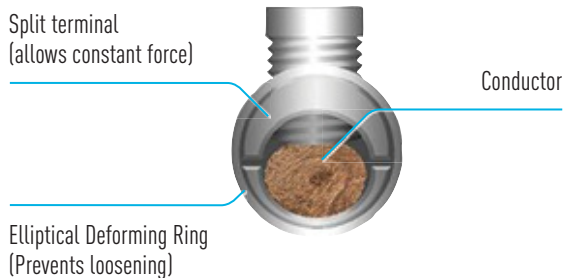
BUTT CONTACT WITH A SILVER-NICKEL TIP

The MARECHAL® DECONTACTOR™ and connectors are all fitted **with butt contacts with silver-nickel tips**. They provide exceptional connection quality by eliminating the damage due to electric arcs and wear seen with pin and sleeve sockets. Silver is an excellent conductor of current even when oxidized. Conductivity is optimal even in the presence of vibration and temperature variation thanks to the **pressure of the springs**.



CRIMPED BRAIDS

The MARECHAL® contact uses a **crimped braid with a spring** which provides contact performance and tolerances superior to pin and sleeve contacts. The flexibility of the braid and the spring allows the base contact tip to always be perfectly aligned with the plug contact tip. These contacts, which are silver and anti-corrosion treated, **offer very good corrosion resistance**.



ELASTIC LOCK TERMINALS

MARECHAL® contacts are fitted with «elastic lock» connection terminals. The wire clamp is split and surrounded by an elliptical deforming ring. This method allows the tightening force on the wire to be constant. Hence despite the creep of the conductor, the variations of temperature and vibration, the conductor wire is perfectly connected to the contact terminal.

SAFETY SHUTTER

DECONTACTOR™ sockets are fitted with an interlocked safety shutter which prevents access to live contacts. This shutter only unlocks at the time of connection of the plug into the socket which avoids any risk of electric shock.

CASING MADE FROM ADVANCED MATERIALS

MARECHAL® range connectors and DECONTACTOR™ have casings made from **glass fibre reinforced polyester GRP**, or **metal** depending on the models. This choice of material contributes to the excellent mechanical performance and **longevity** of the socket.





MARECHAL® TECHNOLOGY	ADVANTAGES	
DECONTACTOR™ , Socket-outlet with integrated switch up to 250A		Saves you from buying and installing a contactor or wiring pilots. Guarantees disconnection on load.
Safety shutter		No access to the live parts of the socket-outlet.
Breaking capacity AC-22/AC-23		Local disconnection possible, fast maintenance or repair, reduction of downtimes.
Padlocking facility		Prevents unintentional connections and disconnections while keeping the operator safe from any hazard.
Automatic IP66/IP67/IP69 ingress protection, once the socket-outlet lid is shut or once the inlet has mated with the socket-outlet		Resistance to high pressure cleaning up to +80°C.
ATEX/IECEX		Disconnection and padlocking are possible in hazardous areas. This simplifies maintenance in hazardous locations.
T _{amb} -40 °C/+60 °C		Materials resist harsh weather conditions.
Dual voltage 230 V/400 V		A 5-pole socket-outlet can be mated with 2-pole, 3-pole, 4-pole and 5-pole inlet plugs.
GRP IK09 Metal IK09/IK10		Materials with high mechanical endurances.
Butt contact with silver-nickel plated tip		Better conductivity. No corrosion, unlike copper or brass contacts. Low resistance = lower current consumption.
Further certification schemes and bodies: LCIE, VDE, UL, CSA, BV Marine, EAC...		No hassle exporting your machines all over the world.
Up to 24 keying positions		Identify and secure dedicated circuits.
Auxiliaries Pilots		Signal & control transmission. Electrical Interlocking.

ECONOMY OF INSTALLATION: DUAL-VOLTAGE

With a single socket-outlet base (e.g.: 3 PNE - 230/400 V) it is possible to accommodate 3 different plugs:

- a 3 PNE - 400 V plug,
- a 3 PE - 400 V plug,
- a 1 PNE - 230 V.

This compatibility provides real savings on the installation of these sockets for the user.

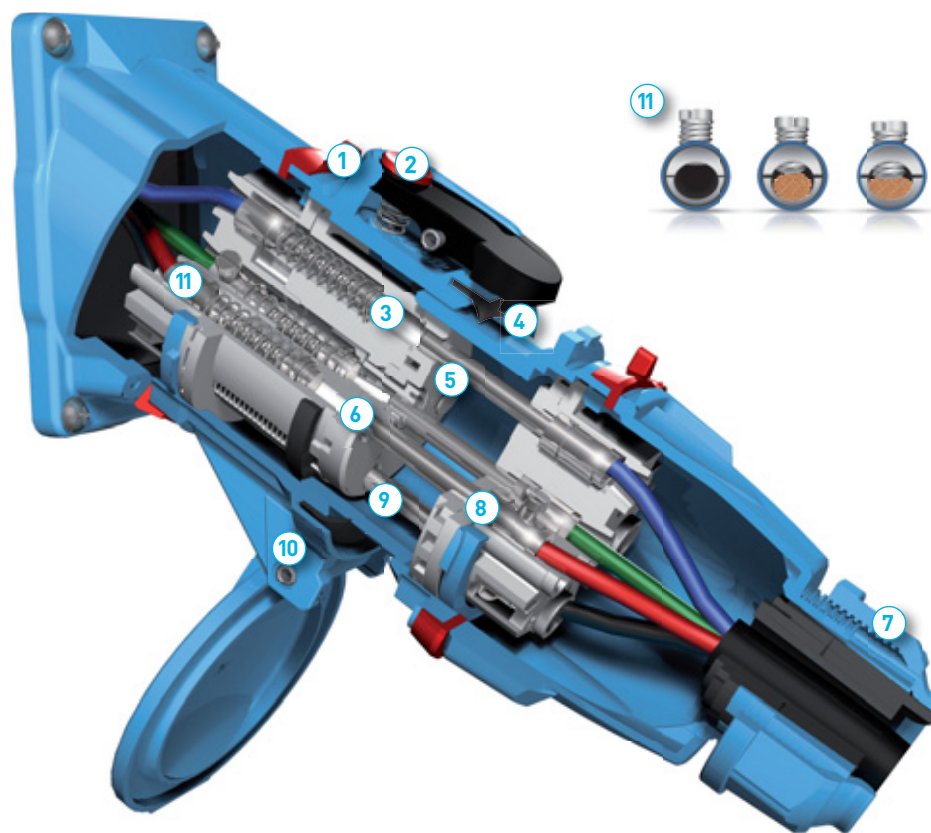




DECONTACTOR™ TECHNOLOGY

DESIGNED FOR EFFICIENCY AND SAFETY

The quality of the material, the design, the assembly and the inspection of each component are at the core of our know-how and the MARECHAL® technology. They each provide a precise function that optimizes the **performance, safety and sustainability** of our sockets and your installations.



1 Gasket colour confirms voltage rating: **as per standards**

2 Load break release button:
The plug ejects when acting on the latch

3 Arc chamber

4 Automatic watertightness: **up to IP69**

5 Safety shutter prevents unwanted access to contacts: **user safety (IP4X/IPXXD)**

11 Spring-loaded terminals: **resistance to vibration and copper creep**

6 Silver-nickel contacts:
excellent electrical conductivity and performance

7 Integral cable gland with adaptable range-take and cable anchoring: **up to IP69**

8 Central earth contact:
no danger of mis-wiring

9 Silver-plated contacts:
anti-corrosion treatment

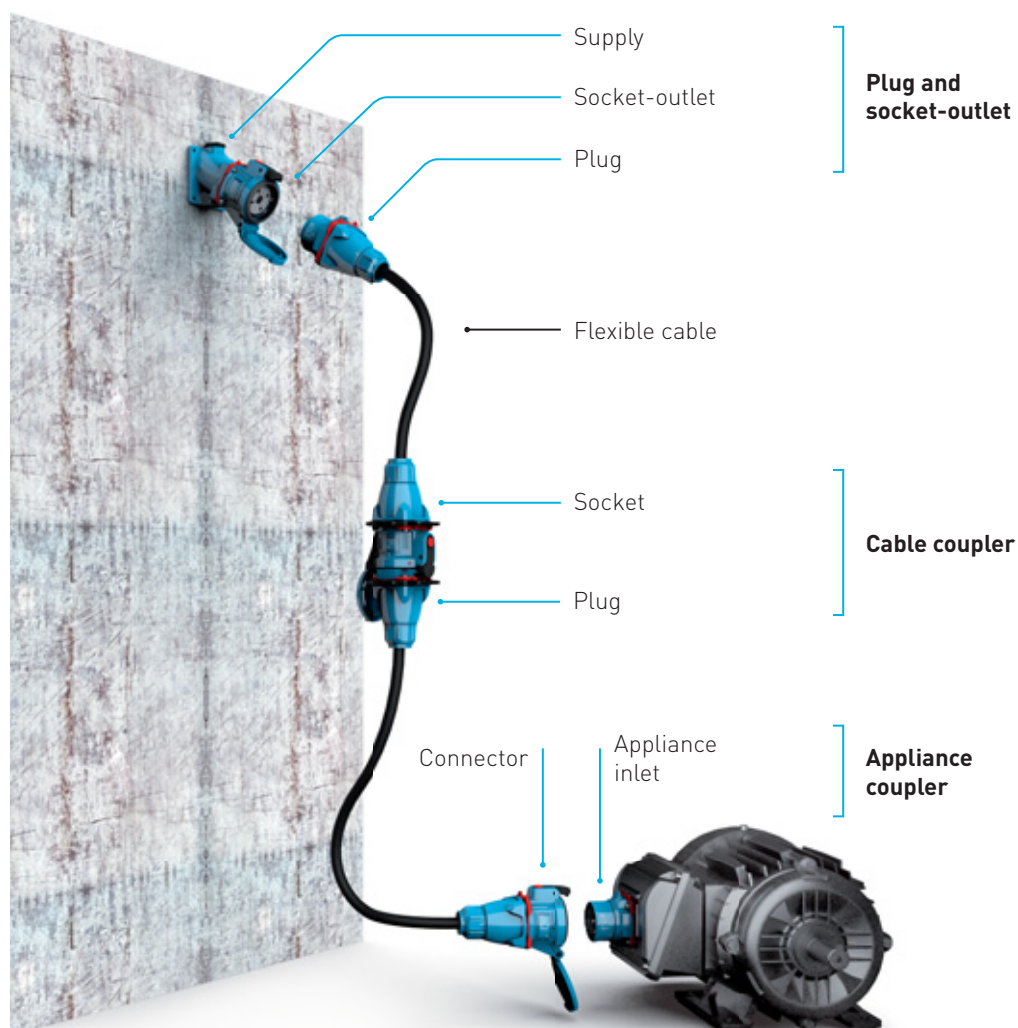
10 Glass fibre reinforced polyester (GRP) or metal casing: **excellent mechanical strength**



MARECHAL MODULARITY

	Socket-outlet	Inclined socket	Wall mounting socket	Coupler socket	Plug	Appliance inlet	Wall mounting appliance inlet	Inclined appliance inlet
Active part	Socket-outlet	Socket-outlet	Socket-outlet	Socket-outlet	Appliance inlet	Appliance inlet	Appliance inlet	Appliance inlet
Mounting accessories	/	Inclined sleeve	Wall box	Handles	Handles	/	Wall box	Inclined sleeve

IEC 60309-1 NORM TERMINOLOGY

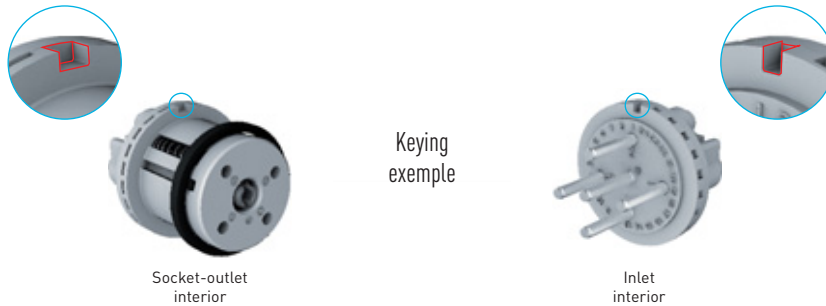




DECONTACTOR™ TECHNOLOGY

24 POSSIBILITIES FOR VOLTAGE/FREQUENCY INTERLOCKING

The interlock device is associated with coding positions on the electrical connectors. It enables 24 different positions that are distinguished by voltage/frequency. This is achieved by machining the relevant 'notch' on the coding ring. The colours in the rows of the table below correspond to the international voltage standard. These are the colours of the rings and labels on the bases and connectors.



Keying positions				Keying positions			
20-24 V AC	AC	2P, 2P+N 3P, 3+N	08	220-250 V	AC	1P+N+E	01
20-24 V AC	AC 60 Hz	2P, 2P+N 3P, 3+N	02	220-250 V 380-440 V	AC	2P+N+E, 3P+N+E	01
25-28 V	AC	2P, 2P+N 3P, 3+N	06	220-250 V	AC 60 Hz	2P+E, 3P+E	07
40-48 V	AC	2P, 2P+N 3P, 3+N	13	220-250 V	DC	2P+E	20
110-125 V	AC 60 Hz	1P+N+E	07	255-277 V	AC 60 Hz	1P+N+E	04
110-125 V 220-250 V	AC 60 Hz	2P+N+E, 3P+N+E	07	255-277 V 440-480 V	AC 60 Hz	2P+N+E, 3P+N+E	04
110-130 V	AC	1P+N+E	03	347 V	AC 60 Hz	1P+N+E	14
110-130 V 190-230 V	AC	2P+N+E, 3P+N+E	03	347 V 600 V	AC 60 Hz	2P+N+E, 3P+N+E	14
110-130 V	DC	2P+E	10	380-400 V 660-690 V	AC	2P+N+E, 3P+N+E	19
115-127 V	AC 200 Hz	1P+N+E	12	380-440 V	AC	2P+E, 3P+E	01
115-127 V 200-220 V	AC 200 Hz	2P+N+E, 3P+N+E	12	380-440 V	AC	1P+N+E	19
115-127 V	AC 400 Hz	1P+N+E	11	440-480 V	AC 60 Hz	2P+E, 3P+E	04
115-127 V 200-220 V	AC 400 Hz	2P+N+E, 3P+N+E	11	480-500 V	AC	2P+E, 3P+E	09
120-127 V	AC 60 Hz	1P+N+E	16	600 V	AC 60 Hz	2P+E, 3P+E	14
120-127 V 208-220 V	AC 60 Hz	2P+N+E, 3P+N+E	16	660-690 V	AC	2P+E, 3P+E	19
190-230 V	AC	2P+E, 3P+E	03	1 000 V	AC	1P+N+E, 2P+E, 2P+N+E, 3P+E, 3P+N+E	22
200-220 V	AC 200 Hz	2P+E, 3P+E	12				
200-220 V	AC 400 Hz	2P+E, 3P+E	11				
208-220 V	AC 60 Hz	2P+E, 3P+E	16				

AC = 50/60 Hz



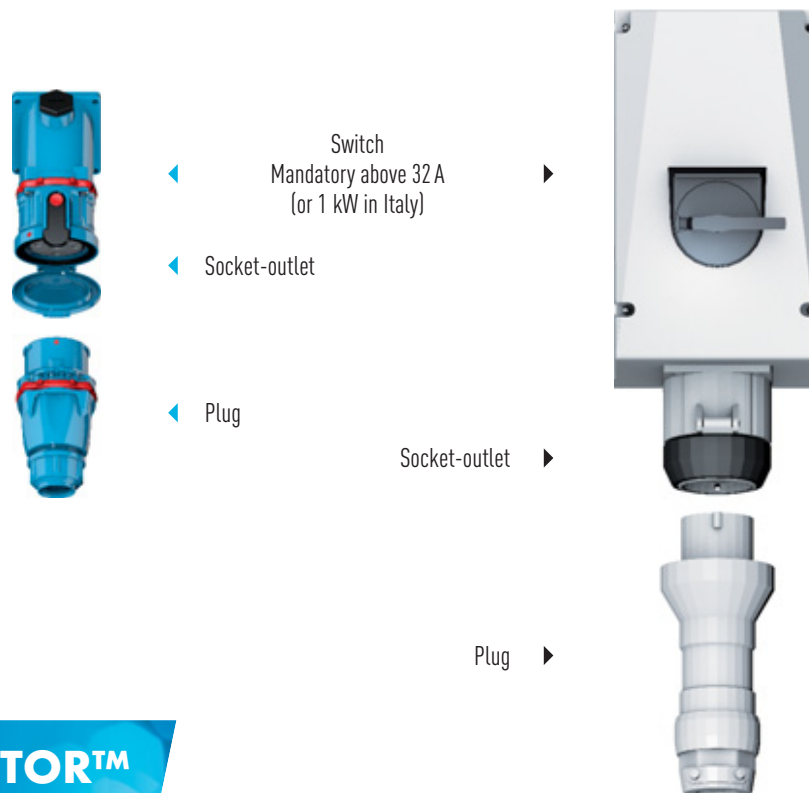
DECONTACTOR™

socket outlet + integrated switch

ALTERNATIVE SOLUTION

Industrial socket with external switch

63 A product (identical scale)

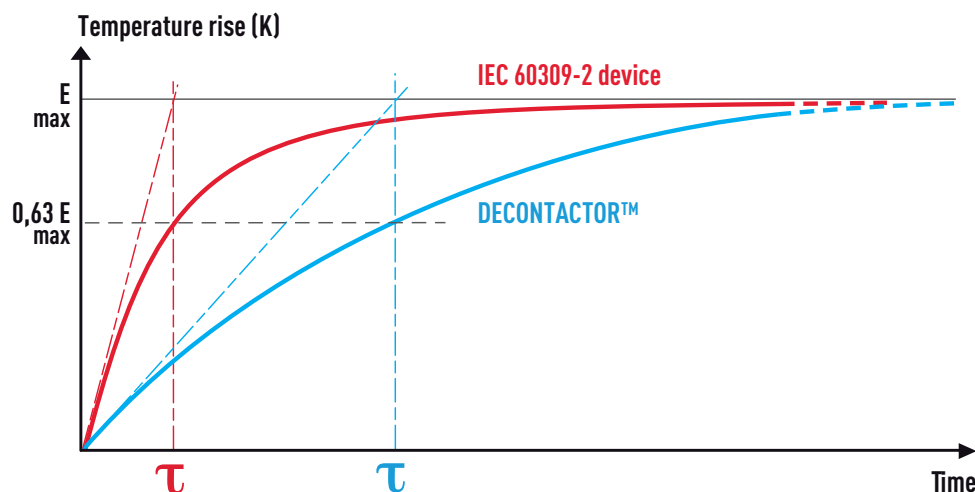


DECONTACTOR™

ADVANTAGES

- Ease of installation : no pilot conductor or upstream contactor.
- No compulsory switch required, even beyond 32 A.
- More compact.
- Cable extension possibility.

COMPARATIVE HEATING CURVE

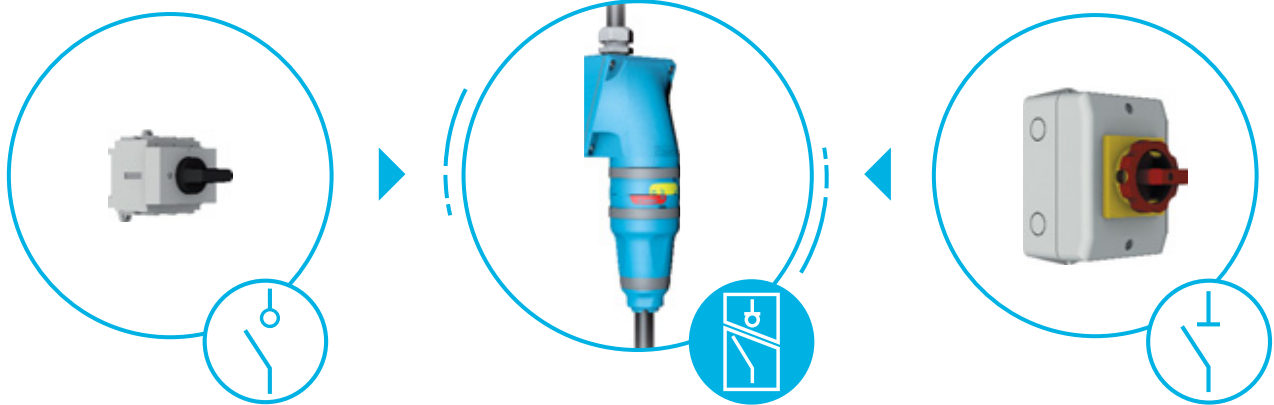


- Thanks to their low internal resistance, our DECONTACTOR have a long time constant: they slowly reach the equilibrium temperature and can withstand temporary overcurrent with no excessive heating.
- Electrical appliances which comply with IEC 60309-2 will reach critical temperature much quicker in case of overcurrent.



EVO TECHNOLOGY

A DUAL FUNCTION FOR A SINGLE PRODUCT



SWITCH

THE FIRST
SEPARABLE SWITCH-
DISCONNECTOR

DISCONNECTOR

EVO

CLEAR BREAKING AND SEPARABILITY FOR 100% VISUAL ISOLATION

IP66/IP67/IP69 WATERPROOFING IN THE ON AND OFF POSITIONS

COMPACT DESIGN

STANDARD PADLOCKING

ELECTRICAL ENDURANCE > 15 000 CYCLES





SEPARABLE SWITCH-DISCONNECTOR

Cage terminals improving conductivity and vibration resistance

Double break
AC-22A/AC-23A (18,5 kW)
AC-3 (11 kW)

Colour Coded terminals
1, 2, 3, 4/N, 5, 6

Ergonomic handle
Screwless fixings

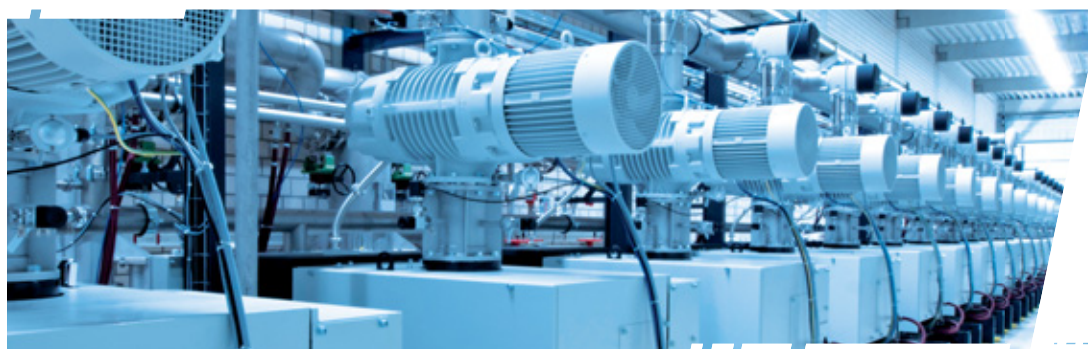
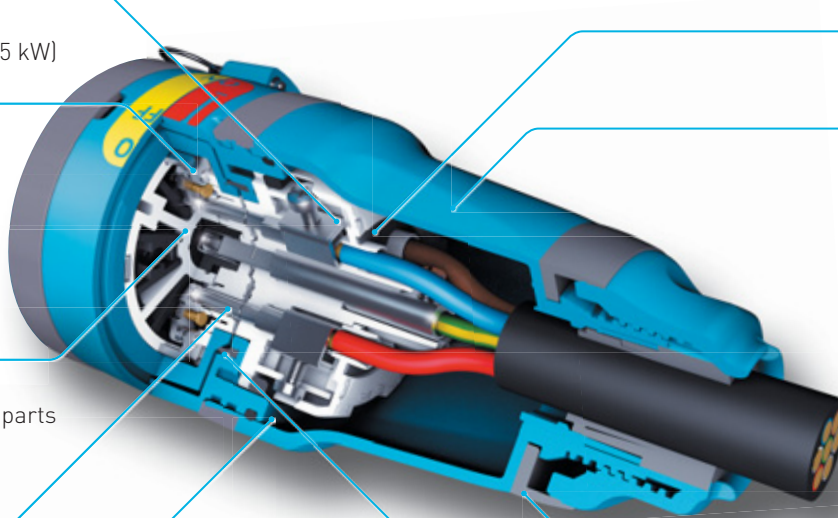
IP4X safety shutter
Protection from live parts

Contacts on silver alloy tips
(anti-corrosion treatment)

Protective cover

Glass reinforced poly enclosure

IP66/IP67/IP69 automatic waterproofing
in ON and OFF positions



STANDARDS AND TECHNOLOGY

In some environments, the occurrence of potentially explosive atmospheres may result from the presence of combustible gases, vapors, aerosols, or dusts.
 In case of ignition, the effects can be destructive (devastating) for both workers and facilities.

KNOW ITS ATMOSPHERE

In the workplace, explosive atmospheres may occur due to the presence of:

- gases and vapors: fuels for heating or drying installations, storage of combustible gases, vapors of flammable solvents stored or handled ;
- combustible dusts likely to form explosive clouds within the air during routine operations (loading or unloading of powdery products, dust removal from filters...) such as flour, sugar, wood dusts, cereal dusts, metal dusts...

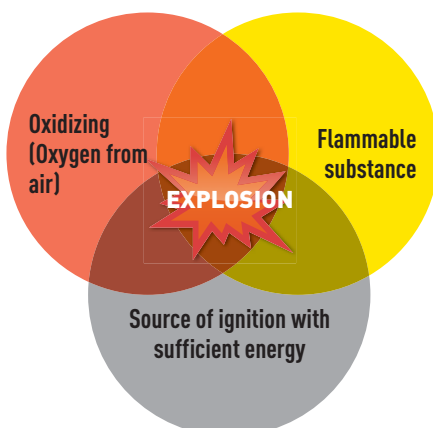
From potentially explosive atmosphere to explosion

An explosion results from:

- a mixture of air (oxidizing),
- combustible substances in sufficient proportions (flammable substance),
- an ignition source: high temperature, electrical arcing, static electricity, lightning, flames,
- and finally ideal atmospheric conditions (pressure, temperatures, etc...).

This is how we refer to the explosion triangle.

Triangle of explosion



Identification of Substances

The danger of an explosive atmosphere depends on its concentration of flammable substances, but also on the characteristics of these substances. It is necessary to divide these substances according to two classifications of hazardous properties:

1. gas groups and dust groups,
2. self-ignition temperature (temperature classes for gases).

The lower the energy it is necessary to ignite a substance, the more dangerous the substance is said to be.

GAS GROUP SUBDIVISIONS

DANGEROUSNESS	Propane	IIA
	Ethylene	IIB
	Acetylene	IIC
	Hydrogen	IIC

Group IIB classified devices are suitable for applications requiring Group IIA devices. Similarly, group IIC classified devices are suitable for applications requiring Group IIA or Group IIB devices.

DUST GROUP SUBDIVISIONS

Combustible particles suspended in the air	IIIA
Non-conductive dust	IIIB
Conductive dust	IIIC

Group IIIB classified devices are suitable for applications requiring Group IIA devices. Similarly, group IIIC classified devices are suitable for applications requiring Group IIIA or Group IIIB devices.

The lower the ignition temperature, the more dangerous the substance is. Therefore, equipment are classified from T1 to T6 according to the **maximum surface temperature** (or temperature of the hottest point depending on the type of protection).

Equipment classified T6 is suitable for an atmosphere with an ignition temperature of T5, T4, T3, T2 or T1.

Note: the ignition temperature of a gas is not related to its danger. Even though hydrogen is an extremely explosive gas (necessary energy to ignite hydrogen atmosphere is about 10 times less than a natural gas atmosphere), it is T1 classified as its self-ignition temperature is very high (560 °C).

MAXIMUM SURFACE TEMPERATURE		
	TEMPERATURE CLASS	MAXIMUM VALUE °C
DANGEROUSNESS	T1	450 °C
	T2	300 °C
	T3	200 °C
	T4	135 °C
	T5	100 °C
	T6	85 °C

EXAMPLES OF IGNITION TEMPERATURES		
	FLAMMABLE SUBSTANCES	IGNITION TEMPERATURE
Gaz/Vapeur	Hydrogène	560 °C (T1)
	Méthane	537 °C (T1)
	Ethylène	425 °C (T2)
	Acétylène	305 °C (T2)
	Kérosène	210 °C (T3)
	Ether	175 °C (T4)
Poussières/fibres	Disulphite de Carbone	95 °C (T6)
	Fibre de papier	570 °C (T1)
	Aluminium	560 °C (T1)
	Blé	510 °C (T1)
	Bois	500 °C (T1)
	Sucre	490 °C (T1)
	Polyéthylène	440 °C (T1)

IDENTIFY ITS ZONES

HAZARDOUS AREAS



Certification according the European Directive 2014/34/EU related potentially explosive atmospheres

IECEx

Certification according international standards related to equipment used in hazardous areas

Presence of potentially explosive atmosphere	Permanent	Occasional	Rare
Zoning applicable to gas and vapors	Zone 0	Zone 1	Zone 2
Choice of equipment protection level	Ga	Ga - Gb	Ga - Gb - Gc
Zoning applicable to dusts and fibers	Zone 20	Zone 21	Zone 22
Choice of equipment protection level	Da	Da - Db	Da - Db - Dc

MARECHAL® offer.

STANDARDS AND TECHNOLOGY

AVOID IGNITION

Products intended to operate in potentially explosive atmosphere must :

- **Prevent the formation of an arc** likely to cause an explosion or contain inflammation,
- **Resist shocks**, to a higher degree than usually is required for normal industrial products,
- **Not to be likely to accumulate electrostatic charges that may generate a spark**,
- **Have a maximum temperature below the self-ignition temperature of the surrounding atmosphere.**

From the design of the equipment, it is necessary to consider the type(s) of protection adapted to the equipment intended to be installed in potentially explosive atmospheres by acting on one of the following actions:

- **deletion of the potentially explosive atmosphere**
- **deletion of the source of ignition**,
- **non-propagation of ignition.**

The design and verification rules for these types of protection are regulated by international standards and the devices are identified by letters (see table).

ACTION	DESCRIPTION OF TYPE OF PROTECTION	APPLICABLE STANDARD	IDENTIFICATION	APPLICATION
DELETION OF THE POTENTIALLY EXPLOSIVE ATMOSPHERE	Pressurized enclosure: a protective gas maintains a pressure higher than the one of the external atmosphere.	EN/IEC 60079-2	Ex pxb	Zone 1, Zone 21
			Ex pyb	
			Ex pzc	
	Restricted breathing enclosure: in normal operation, to restrict the entry of gases, vapours and mists	EN/IEC 60079-15	Ex nR	Zone 2
	Liquid immersion : explosive gas atmosphere which may be above the liquid or outside the enclosure cannot be ignited	EN/IEC 60079-6	Ex ob	Zone 1
			Ex oc	Zone 2
	Encapsulated: hazardous parts completely enclosed in a resin	EN/IEC 60079-18	Ex ma	Zone 0, Zone 20
			Ex mb	Zone 1, Zone 21
			Ex mc	Zone 2, Zone 22
	Hermetically-sealed device: in normal operation, device which cannot be opened and is sealed	EN/IEC 60079-15	Ex nC	Zone 2
	Dust ignition protection by enclosure: limitation of dusts ingress (IP5X or IP6X)	EN/IEC 60079-31	Ex ta	Zone 20
			Ex tc	Zone 22

ACTION	DESCRIPTION OF TYPE OF PROTECTION	APPLICABLE STANDARD	IDENTIFICATION	APPLICATION
DELETION OF THE SOURCE OF IGNITION	Increased safety: measures to prevent excessive temperature and occurrence of arcs or sparks	EN/IEC 60079-7	Ex eb	Zone 1
			Ex ec	Zone 2
	Intrinsically safe: limitation of electrical energy at a level below that which may cause ignition	EN/IEC 60079-11	Ex ia	Zone 0, Zone 20
			Ex ib	Zone 1, Zone 21
			Ex ic	Zone 2, Zone 22
Non-incendive component: in normal operation, component having contacts for making or breaking a specified circuit in which the mechanism is constructed so that the component is not capable of causing ignition	EN/IEC 60079-15	Ex nC	Zone 2	
NON-PROPAGATION OF IGNITION	Flameproof enclosure: the ignition can occur inside the enclosure but can be transmitted to the external atmosphere.	EN/IEC 60079-1	Ex da	Zone 0
			Ex db	Zone 1
			Ex dc	Zone 2
	Powder filling: the parts capable of igniting an explosive gas atmosphere completely surrounded by filling material (example glass beads)	EN/IEC 60079-5	Ex q	Zone 1

Other types of protection exist: Protection of equipment and transmission systems using optical radiation (op pr, op is,...), ventilated rooms (v),...
 Non-electrical equipment can also create potential sources of ignition and to address this problem, there are types of protection for these devices

STANDARDS AND TECHNOLOGY

FOCUS ON MAIN TYPES OF PROTECTION

Flameproof enclosure: Ex da, db or dc

Flameproof equipment is an enclosure in which devices/components capable of igniting an explosive gas atmosphere are enclosed.

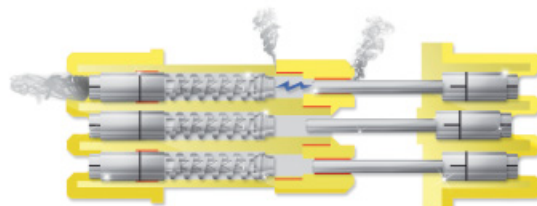
Flameproof enclosures must:

- contain an internal explosion without casing deformation (withstand of explosion pressure),
- ensure that ignition is not transmitted to the surrounding atmosphere,
- have an external temperature lower than the self-ignition temperature of the atmosphere.



The construction parameters for flameproof equipment depending on the gas group for which the equipment is intended, are essential in order to meet all three criteria:

- type of flamepath : thread, flat surface, sealed path, cylindrical,...
- the length of flamepath,
- the space between the 2 surfaces of the flamepath (=gap),
- thickness of walls.



In order to guarantee the properties of the types of protection, it is necessary to:

- check the tightness of all screws for the closing of the lids and cable entries,
- check the screwing of blanking devices, if present,
- never modify the equipment.



Example of an explosion-proof enclosure with a flat flame passage.

Increased safety: Ex eb or ec

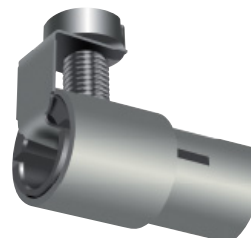
Increased safety equipment must, by design and with a high level of safety, provide the possibility of excessive temperature and occurrence of arcs or sparks during normal operation or under specified abnormal conditions.

In difference to flameproof enclosure, all devices or components installed in the increased safety enclosure must, in advance, be ATEX/IECEx certified for the appropriate application (or assessed with the enclosure) and must also be listed in the certificate.



These enclosures must be at least IP54. The electrical parameters are defined by the temperature rise and the clearances and creepage distances, which are different than the ones defined in industrial standards. The quality of the connection is essential in the protection of the increased safety equipment.

MARECHAL sockets are equipped with elastic connections terminals with thread protection tabs, in order to prevent the deterioration of the threads and to ensure a uniform pressure on the strands (heating control).



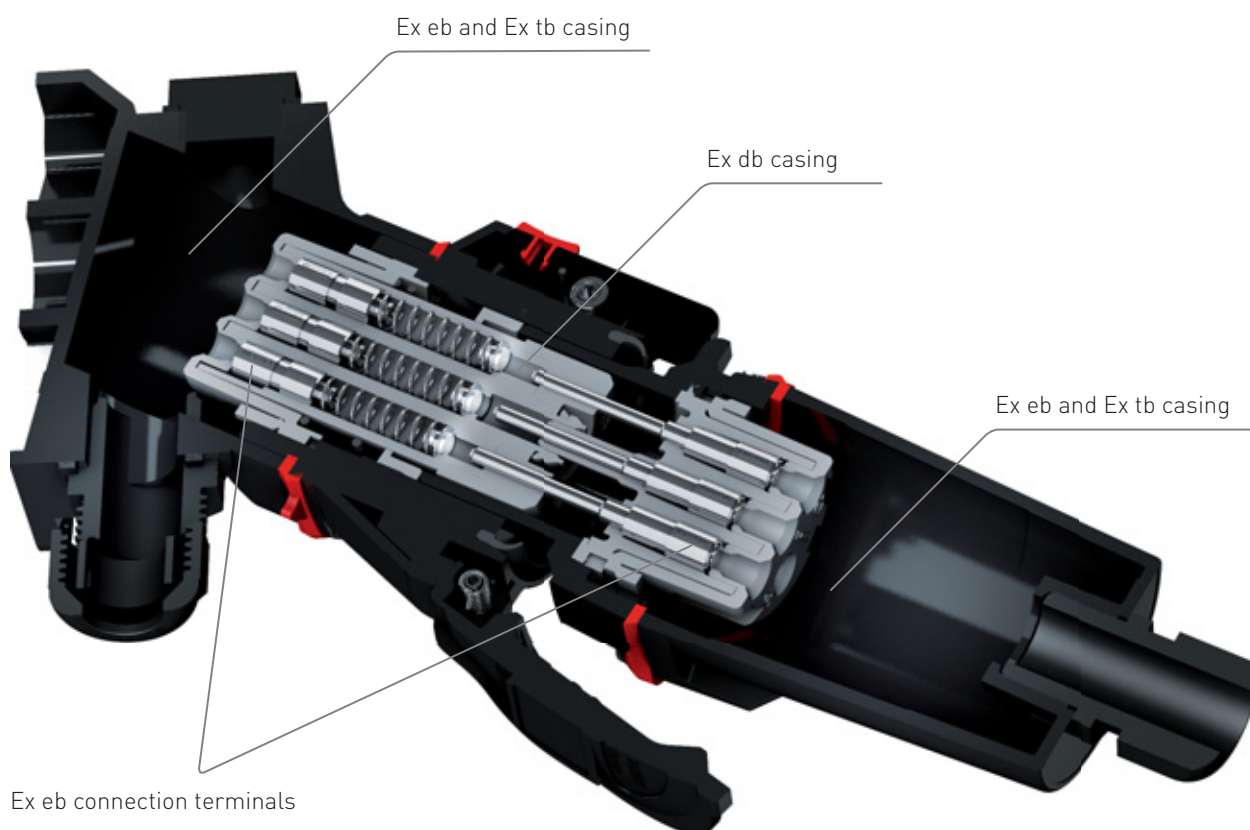
Terminals for connecting to a MARECHAL® Ex socket.

Combinaison: Ex db eb/db eb mb

To design safe equipment that can be installed in a potentially explosive atmosphere, it is essential to apply the most appropriate type of protection. The DECONTACTOR™ combines several modes of protection.

Example of an ATEX and IECEx certified DECONTACTOR™

⚠ II 2 G D Ex db eb IIC T6 ou T5 Gb
Ex tb IIC T70 °C ou T90 °C Db





ITEM REFERENCING

7 DIGITS FOR BASIC PRODUCTS + 3 DIGITS FOR SPECIALS PRODUCTS

Main option combination suffixes page 317.

1 ST DIGIT	2 ND DIGIT	3 RD DIGIT
▼	▼	▼
<p>PRODUCT LINE</p> <ul style="list-style-type: none"> 0 = PN - PNC 1 = DN 2 = DX - DXN - DXA 3 = DS 4 = PF - SP - CS- SPeX 5 = ACCESSORIES 6 = DSN 8 = EVO 9 = BOXES 	<p>CASING</p> <p>IEC :</p> <ul style="list-style-type: none"> 1 = BLUE POLY 5 = BLACK POLY 9 = METAL <p>UL :</p> <ul style="list-style-type: none"> 3 = BLUE POLY 7 = METAL 6 = BLACK METAL 	<p>RATING</p> <ul style="list-style-type: none"> 16 A E = PNC 30 A N/2 = PN 20 A 8 30 A 1 50 A 3 90 A 6 30 A 1 50 A 3 90 A 6 150 A 9 250 A 2 400 A 4 20 A 1 32 A 3 63 A 6 315 A 3 400 A 4 500 A 5 600 A 6 40 A 4 = EVO 500 A 3 = CS1000 680 A 4 = SPeX 750 A 4 = SP

OUR CONFIGURATOR IS AVAILABLE ON OUR WEBSITE
marechal.com/configurator



4TH DIGIT

5TH & 6TH DIGIT

7TH DIGIT

TYPE

Male

- 1 = Plug (with handle)
- 6 = Wall mounting appliance inlet (with box)
- 8 = Appliance inlet (male) semi-recessed
- 9 = Inclined appliance inlet (with sleeve)

Female

- 0 = Wall mounting socket (with box)
- 3 = Coupler socket (with handle)
- 7 = Inclined socket (with sleeve)
- 4 = Socket-outlet (female) semi-recessed

VOLTAGE

- 08 = 20-24 V AC
- 06 = 25-28 V AC
- 13 = 40-48 V AC
- 03 = 110-130/190-230 V AC
- 01 = 220-250/380-440 V AC
- 09 = 480-500 V AC
- 19 = 400/690 V AC
- 22 = 1 000 V AC

- 02 = 20-24 V 60 Hz
- 16 = 120-208 V 60 Hz
- 07 = 110-125/220-250 V 60 Hz
- 04 = 255-277/440-480 V 60 Hz
- 14 = 347-600 V 60 Hz

- 12 = 115-127/200-220 V 200 Hz
- 11 = 115-127/200-220 V 400 Hz

- 10 = 110-130 V DC
- 20 = 220-250 V DC

- 03 = 220-250 V AC
- 01 = 380-480 V AC
- 05 = 500-690 V AC

Other voltages and frequencies are available on request, see table page 14.

POLARITY

Alternative current (AC)

- 5 = 1P+N+E
- 3 = 3P+E
- 4 = 4P+E (EVO)
- 7 = 3P+N+E
- D = 1P+N
- A = 2P (L1, L2)
- E = 2P (L1, L3)
- G = 2P+N
- B = 3P
- C = 3P+N
- L = 2P+2P
- H = 1P+E
- 2 = 2P+E
- 6 = 2P+N+E
- 6 = 6P+E (EVO)
- M = 2P+2P+E

Direct current (DC)

- 8 = 2P+E Double breaking point
- 9 = 2P+E
- J = 3P (-/+/0 V)
- K = 3P+E (-/+/0 V/T)
- N = 2P+2P
- P = 2P+2P+E
- Z = 2P

MAIN FEATURES

40 A

EVO SEPARABLE SWITCH-DISCONNECTOR



KEY FEATURES

- Up to 6 poles + earth
- Smooth sleek design, no visible fastening screws
- Surface mounting dimension restricted to 120 mm
- IP4X on supply side
- IP66/IP67/IP69 tightness in ON and OFF positions when supply and load parts are connected, including when separated using plug caps
- Visible and distinctly obvious breaking
- Manœuvring speed independent of the operator's applied force
- Padlockable in OFF position

A UNIQUE PRODUCT

EVO40 is a manually operated separable switch-disconnector, with configurations from 2 to 6 poles + Earth.

Certified by LCIE BUREAU VERITAS to IEC/EN 60947-1 and 60947-3 standards. **EVO40** allows for frequent making and breaking on load, while ensuring safe isolation of any low voltage electrical circuit: resistive (AC-21A), mixed resistive/inductive (AC-22A) or inductive (AC-23A). **EVO40** also allows for on load making & breaking of all electric motors (AC-3), as per IEC/EN 60943-3 standard requirements.

Equipped with self-cleaning silver alloy contact tips and a unique and patented **mechanism**, our new technological concept combines the functionalities of a switch and an isolator.

The design facilitates successive double breaking pole by pole, which ensures optimal safety during any maintenance operation.

EVO FACILITATES THE COMPLIANCE OF:

- electrical machinery to the "Machinery" European Directive on isolating device, and to standards EN 12100 and EN 60204-1,
- electrical installations to installation standards: IEC/HD 60364 and NF C 15-100 (French) or other national transposition.

Once the supply and load parts have been separated, a safety shutter prevents any risk of electric shock (IP4X/IPXXD). The **robust mechanism** allows **distinctly and visibly separated** disconnection and separation even in the event of overload currents.

Thanks to the compact design, **EVO40** can be configured to be panel-mounted or flush-mounted on a wall box with varying angles. Other standard features include: **padlockable** accessory, hidden screws, and a smooth, crevice-free design.

The quality of **EVO40** materials offers flexibility in the most demanding of applications in terms of hygiene, robustness and reliability (IP66/IP67/IP69 and IK09): Halogen-free; UL94-Standard compliant self-extinguishing materials; resistant to hot vapours (tropicalisation as per IEC 60068-2) as well as UVs (class f1), corrosion and chemical agents.

EVO is certified by LCIE BUREAU VERITAS to standard :

- EC/EN 60947-1/-3/: Low-voltage switchgear and controlgear - Part 3: Switches, disconnectors, switch-disconnectors and fuse-combination units.



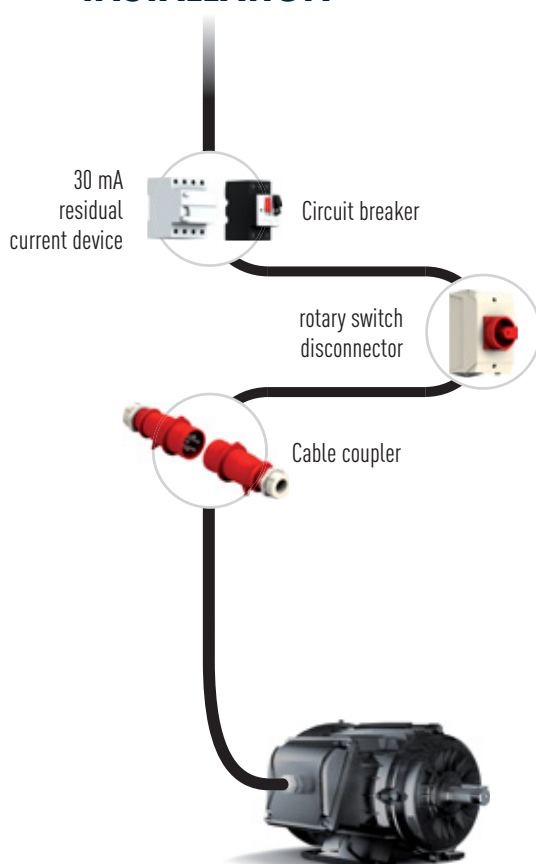
OUR CERTIFICATIONS

EVO is a switch-disconnector with visible and fully apparent breaking. As such, it is not subject to the obligation of a 30 mA residual current device (RCD).

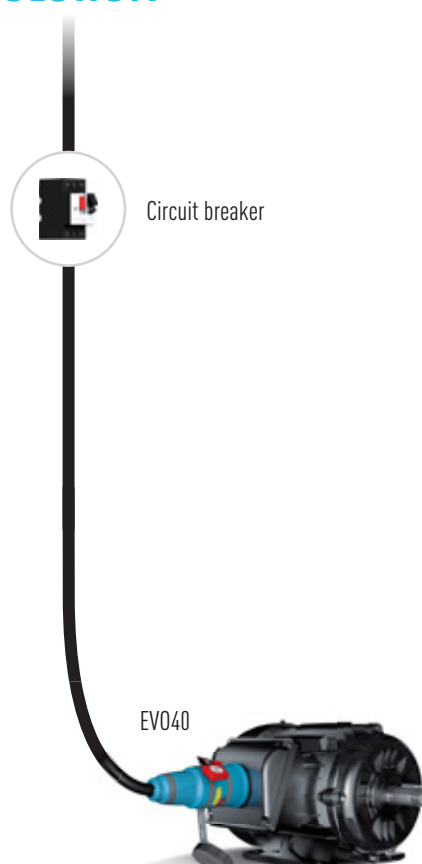
EVO allows:

- continuity of service: no unwanted tripping, no production loss;
- space saving and cost reduction;
- securing and simplifying interventions: for maintenance or replacement of an equipment, EVO can be separated in two parts, by means of a tool, and padlocked. When separated, EVO has an IP4X/IPXXD rating. It is therefore not necessary to use authorized personnel or protection procedures.

STANDARD INSTALLATION



EVO40 SOLUTION



MAIN FEATURES

40 A

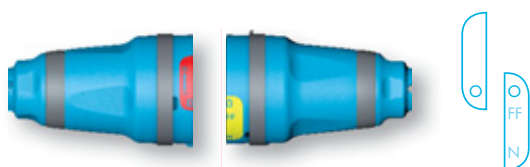
EVO SEPARABLE SWITCH-DISCONNECTOR



LOAD BREAK ROTARY SWITCH

- Simple operation
- Automatic IP in ON and OFF positions

SEPARATED POSITION



POSITION 00

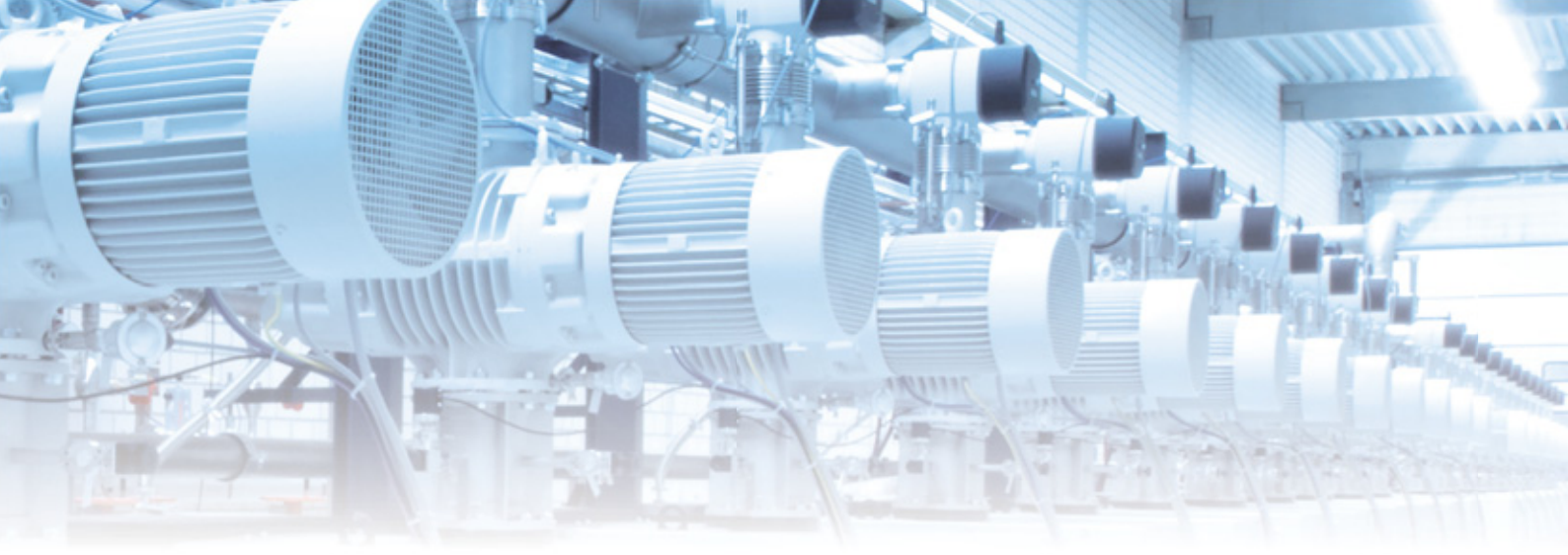


POSITION OFF



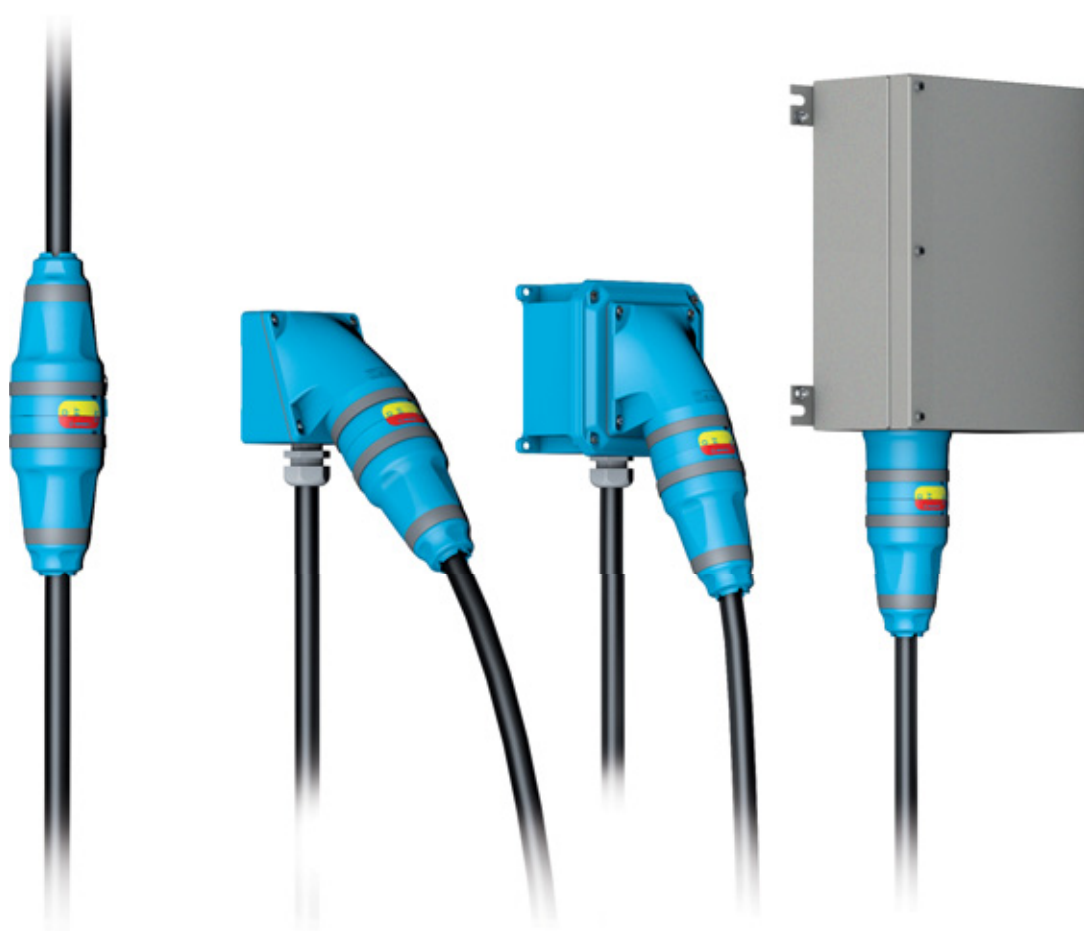
POSITION ON





POSSIBLE INSTALLATIONS

- Inclined sleeve or wall box
- Inclined sleeve on box
- Straight sleeve under box
- Coupler



6 POLES

18,5 kW

690 V
U_{MAXI}

SEPARABLE SWITCH-DISCONNECTOR EVO40



IP66
IP67/IP69



2,5-10 mm² (1)
2,5-16 mm² (2)



GRP



IK09



-25 °C
+60 °C



See table



60947-1/-3

(1) Flexible wiring (min.-max.).
(2) Stranded wiring (min.-max.).



A padlock key is provided with each source

SWITCHING CAPACITY


kW/V	230 V	400 V	690 V
AC-21 A/AC-22 A	40 A	40 A	40 A
AC-23 A	11 kW	18,5 kW	18,5 kW
AC-3	7,5 kW	11 kW	11 kW

OTHER FEATURES

Electrical Load cycles	15 000 cycles*
U _i : Rated insulation voltage	1 000 V AC
U _{max} : Operational voltage	690 V
I _{the} : Conventional enclosed thermal current	40 A
U _{imp} : Rated impulse withstand voltage	8 kV
I _{cc} : Rated short-circuit breaking current capacity with gG fuses and aM fuse	100 kA
I _{cm} : Rated short-circuit making current capacity	1 kA

* In AC-23A 690 V AC/40A service operation.

REFERENCES

Voltage	Poles	Supply	Load	Straight sleeve	70° inclined sleeve	Handle ⁽¹⁾	90° wall box ⁽²⁾
200-250 V AC	2P+E	8144032	8148032	51LM0	51LM7	51LP0D21	51LC9000
	3P+E	8144033	8148033				
	4P+E	8144034	8148034				
	6P+E	8144036	8148036				
380-480 V AC	2P+E	8144012	8148012	51LM0	51LM7	51LP0D21	51LC9000
	3P+E	8144013	8148013				
	4P+E	8144014	8148014				
	6P+E	8144016	8148016				
500-690 V AC	2P+E	8144052	8148052	51LM0	51LM7	51LP0D21	51LC9000
	3P+E	8144053	8148053				
	4P+E	8144054	8148054				
	6P+E	8144056	8148056				
Umax 690 V AC	2P+E	8144122	8148122	51LM0	51LM7	51LP0D21	51LC9000
	3P+E	8144123	8148123				
	4P+E	8144124	8148124				
	6P+E	8144126	8148126				
Load side cap IP66/IP67 padlockable	Included	814A426G					

(1) Gland size 5-21 mm.

(2) Without drilling, top entry. Reversible wall box for 50° angle with bottom entry.

ADDITIONAL PADLOCKING KEYS



Packaging = 10

814A541

SAFETY HASP FOR UP TO 6 PADLOCKS



613A541

PRODUCT WITH ANTI-BACTERIAL TREATMENT ●

NEW

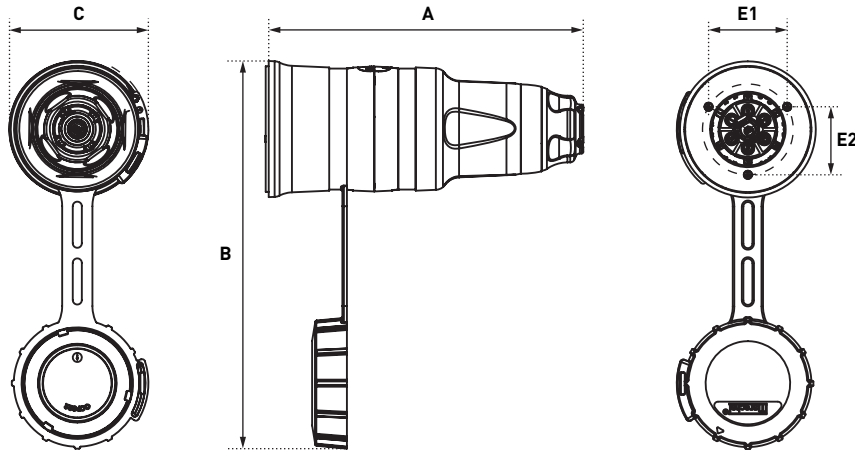
This sticker means that the product is also available with an antibacterial treatment. Add the suffix AG to the reference. For more information on antibacterial treated handles please consult us.



DRAWINGS AND DIMENSIONS

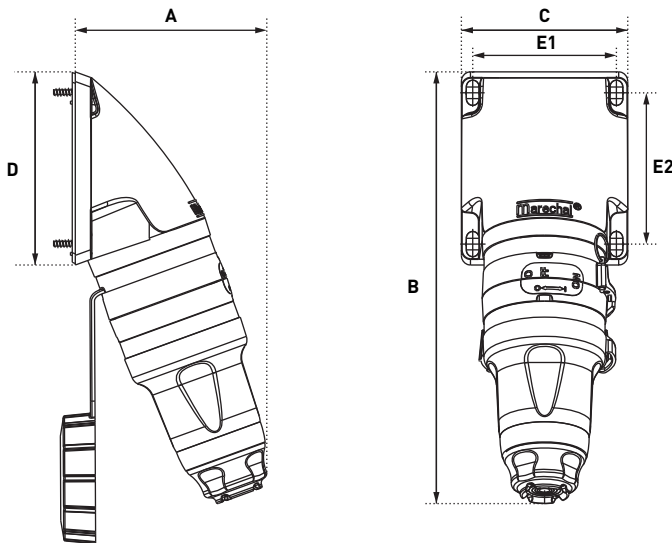
Dimensions are in millimeters.

STRAIGHT SLEEVE



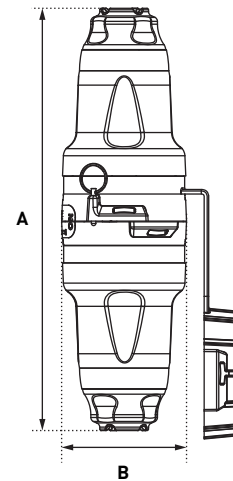
A	B	C	E1	E2
209	256	94	52	45

INCLINED SLEEVE 70°



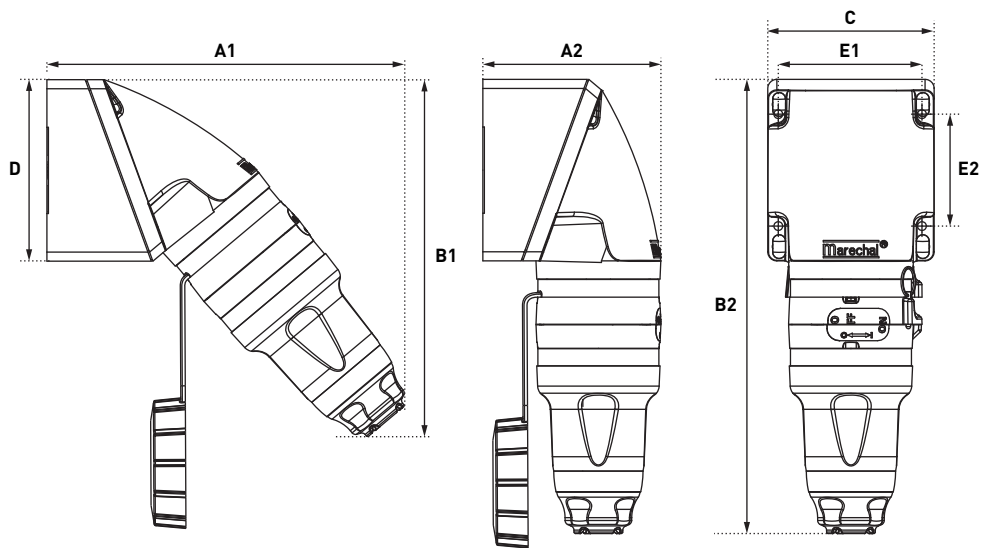
A	B	C	D	E1	E2
127	286	110	128	95	100

ON FLEXIBLE CABLE



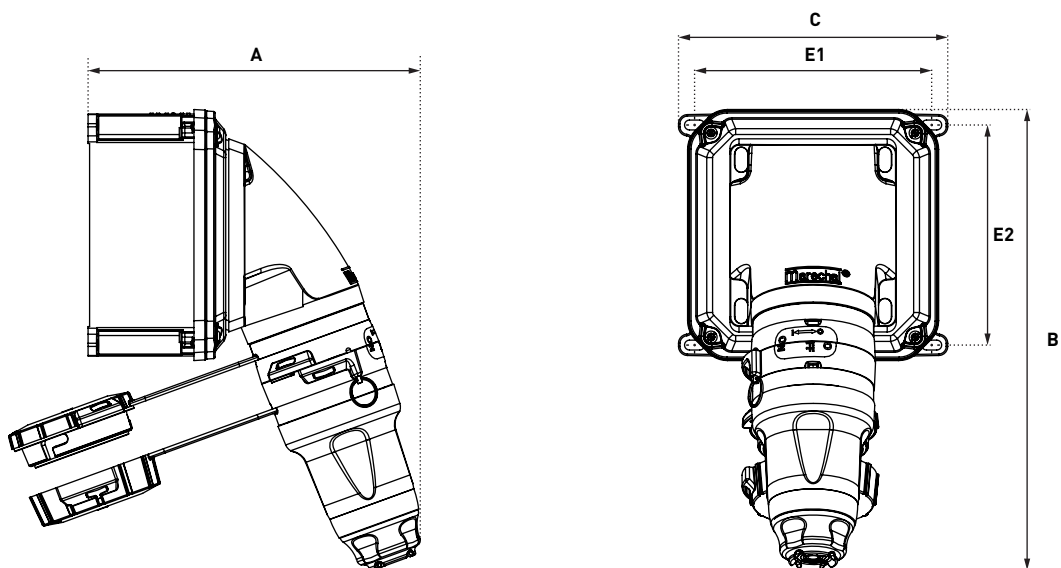
A	B
279	81

REVERSIBLE WALL BOX 50° AND 90°



A1	A2	B1	B2	C	D	E1	E2
236	118	236	301	110	120	95	74

MANCHON 70° SUR BOITIER B2



A	B	C	E1	E2
220	305	178	157	145,5

DECONTACTOR™ & INDUSTRIAL SOCKET-OUTLET

MODEL	CURRENT	U MAX AC	MAX NB OF CONTACTS	MAX NUMBER OF AUX./PIL.	DECONTACTOR™ (BREAK: AC)
PNC	16 A	480 V	4+E	/	/
DSN1	20 A	500 V	4+E	2 PIL.	AC-22/AC-23
PN	30 A	500 V	4+E	/	/
PNHT	30 A	500 V	4+E	/	/
DS1	30 A	690 V	4+E	2 AUX.	AC-22/AC-23
DSN3	32 A	690 V	4+E	2 AUX.	AC-22/AC-23
DS3	50 A	1 000 V	4+E	4 AUX.	AC-22/AC-23
FC	50 A	500 V	4+E	/	/
DSN6	63 A	1 000 V	4+E	4 AUX.	AC-22/AC-23
DS6	90 A	1 000 V	4+E	4 AUX.	AC-22/AC-23
DSHT	125 A	440 V	4+E	2 AUX.	/
DS9	150 A	1 000 V	4+E	6 AUX.	AC-22/AC-23
DS2	250 A	1 000 V	4+E	6 AUX.	AC-22/AC-23
DS2	350 A	1 000 V	4+E	2 PIL.	/
DS4	400 A	1 000 V	3+E	2 PIL.	/
PFQ4	400 A	690 V	4+E	6 AUX. + 2 PIL.	/
PFC6	600 A	1 000 V	4+E	2 AUX. + 2 PIL.	/

Other currents, voltages, frequencies and contacts configurations are available (see page 14).

DOWNLOAD ALL TECHNICAL SHEETS ON OUR WEBSITE **MARECHAL.COM**

SELECTION GUIDE

DECONTACTOR™
& INDUSTRIAL
SOCKET-OUTLETS

MATERIAL	IP	EMC	IK	PAGE
POLY	IP66/IP67/IP69	/	IK08	40
POLY	IP66/IP67/IP69	/	IK09	42
POLY/METAL	IP66/IP67	Yes (metal)	IK09	46
METAL	IP44	/	IK09	50
POLY	IP55	/	IK09	52
POLY	IP66/IP67/IP69	/	IK09	56
POLY	IP55	/	IK09	60
POLY	IP54	/	IK09	64
POLY	IP66/IP67/IP69	/	IK09	66
POLY/METAL	IP66/IP67	Yes (metal)	IK09	70/74
METAL	IP44	/	IK09	78
POLY/METAL	IP66/IP67/IP69	Yes (metal)	IK09/IK10	80/84
METAL	IP66/IP67	Yes	IK10	88
METAL	IP66/IP67	Yes	IK10	92
METAL	IP66/IP67	Yes	IK10	96
METAL	IP66/IP67	/	IK10	102
METAL	IP66/IP67	/	IK10	106

MAIN FEATURES

16 A

PNC CONNECTORS

IP66/IP67/IP69
GRP casing



PNC CONNECTORS FACILITATE THE COMPLIANCE OF ELECTRICAL INSTALLATION TO:

- the national regulations relating to the improvement of safety and health of workers at work in France, Italy, Spain, Belgium,
- the installation standards IEC/HD 60364 and NF C 15-100.

PNC connectors comply with :

- the European Directives Low Voltage, RoHS (affixing of CE marking), REACH European Regulation,
- the IEC/EN 61984, IEC/EN 60529, IEC/EN 62262 standards.

30 A

PN INDUSTRIAL PLUG AND SOCKET-OUTLET

IP66/IP67
GRP or metal casing



PN PLUGS AND SOCKET-OUTLETS FACILITATE THE COMPLIANCE OF:

- electrical machinery to the Machinery European Directive regarding isolation device,
- the national regulations relating to the improvement of safety and health of workers at work in France, Italy, Spain, Belgium,
- the installation standards IEC/HD 60364 and NF C 15-100.

PN plugs and socket-outlets comply with :

- the European Directives Low Voltage, RoHS (affixing of CE marking), REACH European Regulation,
- the IEC/EN 60309-1, IEC/EN 60309-4 standards (essential requirements) ; UL 1682 (USA) and CSA C22.2 N°182.1-07 (Canada) standards.

50 A

NEW

FC FLAT CONNECTORS

IP54
GRP casing
For flat cables



FC FLAT CONNECTORS FACILITATE THE COMPLIANCE OF ELECTRICAL INSTALLATION TO:

- the national regulations relating to the improvement of safety and health of workers at work in France, Italy, Spain, Belgium,
- the installation standards IEC/HD 60364 and NF C 15-100.

FC flat connectors comply with :

- the European Directives Low Voltage, RoHS (affixing of CE marking), REACH European Regulation,
- the IEC/EN 61984, IEC/EN 60529, IEC/EN 62262 standards.

20 A » 63 A

DSN DECONTACTOR™

IP66/IP67/IP69

GRP casing

Breaking capacity AC-22 and AC-23

Up to 4 auxiliaries



30 A » 250 A

DS DECONTACTOR™

IP54/55 (IP66/IP67 from 90 A)

GRP casing up to 150 A

Metal casing from 90 A to 250 A

Breaking capacity AC-22 and AC-23



DECONTACTOR™ DSN AND DS FACILITATE THE COMPLIANCE OF:

- electrical machinery to the Machinery European Directive,
- electrical installation to French decree of 30 aout 2010 and 22 septembre 2010 relating to health and safety at work when using electrical installations,
- electrical installation to national regulation relating to the improvement of the safety and health of workers at work in Italy, Spain, Belgium,
- electrical installation to IEC/HD 603064, NF C 15-100 and NFPA70 standards.

DSN and DS DECONTACTOR™ comply with :

- the European Directives Low Voltage, RoHS (affixing of CE marking), REACH European Regulation,
- IEC/EN 60309-1, IEC/EN 60309-4, IEC/EN 60947-3 (dealing with the load breaking capacities AC-22 and AC-23) standards,
- UL 1682, UL 2682 (USA), CSA C22.2 N° 182.1-07 (Canada) standards,
- BV Marine specifications (DSN series, DS9, DS2).

OUR CERTIFICATIONS



France and
International
Europe



Germany



USA and
North
America



Canada



Australia



Russia
and Eurasia



Marine



Military
(Mil-S-901D)



China

MAIN FEATURES

30 A

PNHT HIGH TEMPERATURE PLUG AND SOCKET-OUTLET

High-temperature environment up to 240 °C
Metal casing



PNHT PLUGS AND SOCKET-OUTLETS FACILITATE THE COMPLIANCE TO:

- electrical machinery to the Machinery European Directive regarding isolation device,
- electrical installation to national regulation relating to the improvement of the safety and health of workers at work in Italy, Spain, Belgium,
- electrical installation to IEC/HD 603064 and NF C 15-100 standards.

PNHT plugs and socket-outlets comply with:

- the European Directives Low Voltage, RoHS (affixing of CE marking), REACH European Regulation.

125 A

NEW

DSHT HIGH TEMPERATURE PLUG AND SOCKET-OUTLET

High-temperature environment up to 150 °C
Metal casing



DSHT PLUGS AND SOCKET-OUTLETS FACILITATE THE COMPLIANCE OF:

- electrical machinery to the Machinery European Directive regarding isolation device,
- electrical installation to French decree of August 30, 2010 and September 22, 2010 relating to health and safety at work when using electrical installations,
- electrical installation to national regulation relating to the improvement of the safety and health of workers at work in Italy, Spain, Belgium,
- electrical installation to IEC/HD 603064 and NF C 15-100 standards.

DSHT plugs and socket-outlets comply with:

- the European Directives Low Voltage, RoHS (affixing of CE marking), REACH European Regulation.

350 A » 400 A

DS INDUSTRIAL PLUGS AND SOCKET-OUTLETS

IP66/IP67

Metal casing



DS PLUGS AND SOCKET-OUTLETS FACILITATE THE COMPLIANCE TO:

- electrical machinery to the Machinery European Directive regarding isolation device,
- electrical installation to IEC/HD 603064 and NF C 15-100 standards.

DS plugs and socket-outlets comply with:

- the European Directives Low Voltage, RoHS (affixing of CE marking), REACH European Regulation.

400 A » 600 A

PF INDUSTRIAL PLUGS AND SOCKET-OUTLETS

IP66/IP67

Plug and socket-outlet casing in painted aluminium and box in stainless steel AISI 316L



PF PLUGS AND SOCKET-OUTLETS FACILITATE THE COMPLIANCE ELECTRICAL INSTALLATIONS TO:

- electrical installation to French decree of 30 aout 2010 and 22 septembre 2010 relating to health and safety at work when using electrical installations,
- electrical installation to IEC/HD 603064 and NF C 15-100 standards.

PF plugs and socket-outlets comply with:

- the European Directives Low Voltage, RoHS (affixing of CE marking), REACH European Regulation.
- UL 1682 (USA) and CSA C22.2 N° 182.1-07 (Canada) standards.

OUR CERTIFICATIONS



USA and North America



Canada



Russia and Eurasia



Military (Mil-S-901D)

16 A

480 V
U_{MAXI}

CONNECTOR PNC



IP66
IP67
IP69



0,75 mm²
2,5 mm²



GRP



IK08



-40 °C
+100 °C

OTHER FEATURES

Permitted current range	4-20 mA/16 A
Impulse withstand voltage	5 kV
Contact resistance	< 2 mΩ
Polarity	4P+E
Casing/insulator	Glass reinforced thermoplastics UL94 V-0
Vibrations	Frequency range 5-1 000 Hz, 1 g (1 h 30 on each critical frequency) according to IEC/EN 60068-2-6
Load cycles	> 2 000 cycles
IP (socket-outlet with cap)	IP66/IP67/IP69
IP (connected plug)	IP66/IP67 IP68 test at 10m deep during 15 days (contact us for these references) IP69
Salt mist	50 000 hours

REFERENCES AND ACCESSORIES

SOCKET-OUTLET

female
(with M25 lock nut)
PNC



INLET male
(with M25 lock nut)
PNC



480 V AC	4+E	01E4007	01E8007
----------	-----	---------	---------

COUPLER

socket female
PNC






PLUG
male
PNC



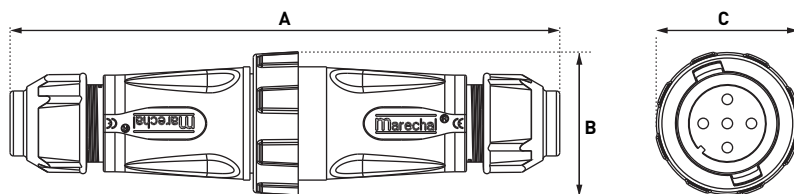
480 V AC	4+E	01E3007	01E1007
----------	-----	---------	---------

Cable diameter 11-15 mm (smaller diameter available according to specification).

ACCESSORIES		Reference
INLET CAP		
	Socket-outlet cap	01EA125
	Inlet cap	01EA126
ADAPTER PLATE FOR DSN1 OR DXN1 ACCESSORIES		
		251A457-E
STRAIGHT SLEEVE		
		01EA127

HANDLE	Input/Cable outer Ø	Reference
HANDLE WITHOUT CABLE GLAND		
	M20	01EA253417
CABLE GLAND		
	5-12 mm	9PEM20POLY+J
	3-9 mm	9PEM20RNPOL+J

DRAWINGS AND DIMENSIONS



A	B	C
165	45	45

20 A

500 V
U_{MAXI}

DECONTACTOR™ DSN1



IP66
IP67
IP69



1-2,5 mm² (1)
1,5-4 mm² (2)



GRP



IK09



-40 °C
+60 °C



AC-22
AC-23



60309-1
60309-4
60947-3



2 PIL. (3)

(1) Flexible wiring (min.-max.).
(2) Stranded wiring (min.-max.).
(3) Flexible wiring 0.8 mm².



Other configurations
on request



For a black colour
housing replace the
second reference
character with 5.

LOAD-BREAK CAPABILITY OF THE DECONTACTOR™

Comply with IEC/EN 60309-1 and IEC/EN 60309-4 standards	20 A/500 V
Load-break capability according to IEC/EN 60947-3/AC-22	20 A/500 V
Load-break capability according to IEC/EN 60947-3/AC-23	20 A/500 V
Short-circuit current I _{cc}	10 kA
Power kW AC-22/AC-23	10 kW

SOCKET-OUTLET

female
DSN1



INLET male
DSN1



Dual-voltage
socket-outlet
(see p. 11)

20-24 V AC	2P	611408A	611808A
220-250 V AC	1P+N+E	6114015	6118015
380-440 V AC	3P+E	6114013	6118013
220-250 V AC 380-440 V AC	3P+N+E	6114017	6118017
480-500 V AC	3P+E	6114093	6118093
480-500 V AC	3P+N+E	6114097	6118097
Pilotes 2A/250 V AC	+ 2 pilots*	Ref. + 972	NA

► Other currents, voltages, frequencies and contact configurations are available (see page 14).

* Unlike the rest of the DSN range, DSN1 auxiliaries are located on the female side only and are shunted. Electrical continuity is only ensured when the inlet and the socket-outlet are connected and when the pilot circuit is closed.

OPTIONS Reference

INDUSTRIAL/DOMESTIC ADAPTERS

Industrial inlet MARECHAL® 1P+N+E and domestic socket-outlet 10/16 A 230 V fuse protection 10A and 16 A (with integrated fuse). All these plug adapters are available to local standards: replace D11 by D40 for UK, D30 for Germany/Netherlands/Luxembourg, D06 for Italy.



6118015D11

LOCKING PIN FOR 2 PADLOCKS Ø 4 TO 8 mm (PADLOCK NOT SUPPLIED)



Socket-outlet ref. +843

SAFETY HASP FOR UP TO 6 PADLOCKS



613A541

LARGER RELEASE BUTTON



Ref. socket +453

INLET CAP IP66/IP67



611A426

IN-LINE CONNECTIONS (A PAIR OF FINGER DRAW PLATES TO AID CLOSING)



611A346

IP40 SELF RETURNING LID (MANUAL CLOSING)



Socket-outlet ref.+R

SELF-EJECTING



See page 192

PRODUCTS AVAILABLE IN BLACK ●

The black dot means these products are also available in black color. Replace the second character of the product reference with 5

PRODUCT WITH ANTI-BACTERIAL TREATMENT ● NEW

This sticker means that the product is also available with an antibacterial treatment. Add the suffix AG to the reference. For more information on anti-bacterial treated handles please consult us.

SLEEVE Reference

POLY SLEEVE ●



30°

511M3



70°

511M7

METAL SLEEVE



0° (Straight)

591M0



30°

591M3

BOXES Input Reference

POLY BOX ●



30°

M20

511B3M20

30°

M25

511B3M25

POLY BOX + POLY SLEEVE (BLACK VERSION SEE ACCESSORIES DXN1 PAGE 239)

70°

Without hole

511C7000



70°

Hole Ø 20

511C7M20

Earth bar ref.: 51AA089

70°

Hole Ø 25

511C7M25

70°

Hole Ø 32

511C7M32

METAL BOX (+ EARTHING WIRE) + POLY SLEEVE



30°

M20

511C3M20

Cable glands are not delivered with the boxes.

HANDLE Input/
Cable outer Ø Reference Self-ejection

POLY HANDLE WITH GLAND ●●



9-18 mm

511P0D18

/



5-21 mm

511P0D21

/



60°

9-18 mm

511P6D18

/

POLY HANDLE + POLY CABLE GLAND ●●

5-12 mm

511P020P

Ref. +443
(10-14 mm)



9-18 mm

511P025P

Ref. +443
(12-18 mm)

14-25 mm

511P032P

Ref. +443

POLY HANDLE (WITHOUT CABLE GLAND) ●

M20

511P0M20

/



M25

511P0M25

/

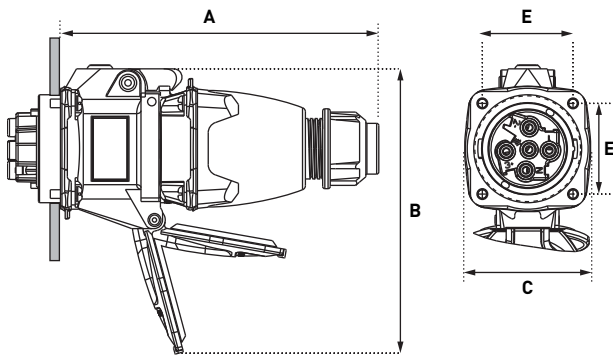
M32

511P0M32

/

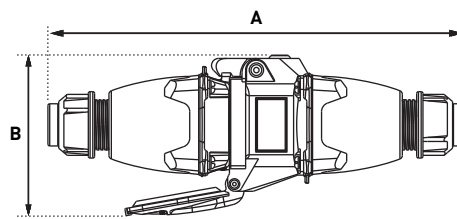
DRAWINGS AND DIMENSIONS

PLUG ON SOCKET-OUTLET



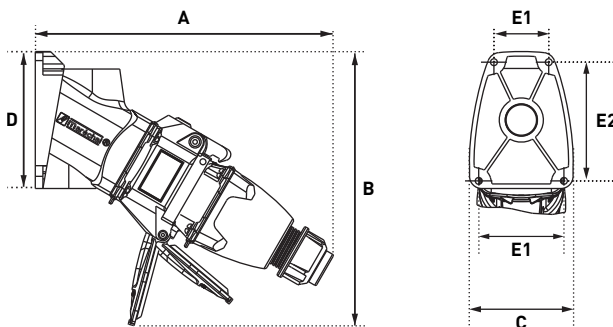
A	B	C	E
147	134	58	42

COUPLER



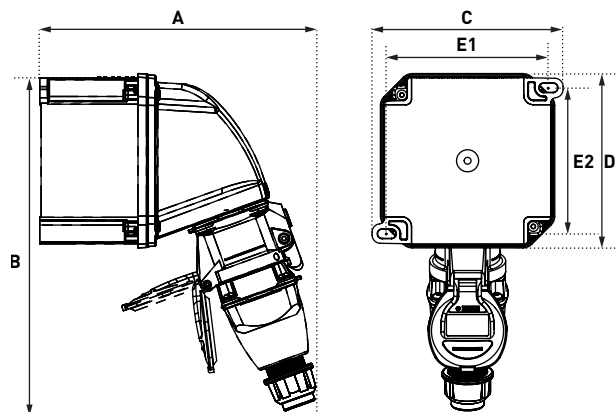
A	B
231	89

PLUG ON 30° WALL-MOUNTED SOCKET-OUTLET



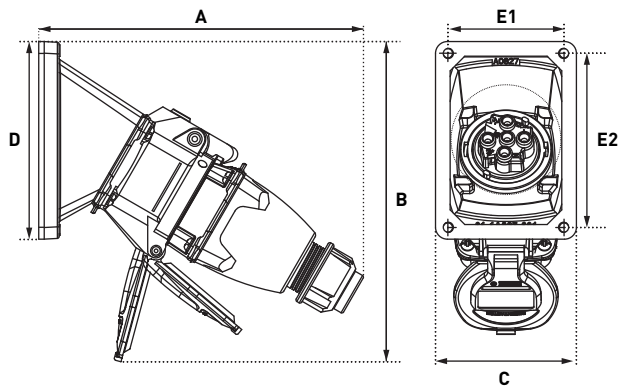
A	B	C	D	E1	E2
196	180	68	90	36/56	78

PLUG ON 70° WALL-MOUNTED SOCKET-OUTLET



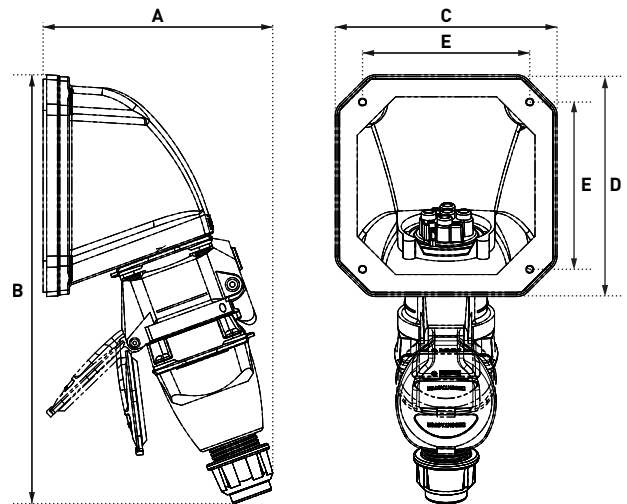
A	B	C	D	E1	E2
200	244	138	126	117	106

PLUG ON 30° INCLINED SOCKET-OUTLET



A	B	C	D	E1	E2
177	175	77	108	64	95

PLUG ON 70° INCLINED SOCKET-OUTLET



A	B	C	D	E
131	244	126	126	95



30 A

500 V
U MAXI

INDUSTRIAL PLUG PN



IP66
IP67



1-6 mm² (1)
1,5-10 mm² (2)



GRP
METAL



IK09



-40 °C
+60 °C



EMC
METAL

(1) Flexible wiring (min.-max.).
(2) Stranded wiring (min.-max.).



Other configurations
on request

GRP devices are not
compatible with metal
devices.



For a black colour
GRP housing replace
the second reference
character with 5.

Dual-voltage
socket-outlet
(see p. 11)



20-24 V AC	2P	01N408A	01N808A
220-250 V AC	1P+N+E	01N4015	01N8015
380-440 V AC	3P+E	01N4013	01N8013
220-250 V AC 380-440 V AC	3P+N+E	01N4017	01N8017
480-500 V AC	3P+E	01N4093	01N8093
480-500 V AC	3P+N+E	01N4097	01N8097

► Other currents, voltages, frequencies and contact configurations are available (see page 14).



20-24 V AC	2P	09N408A	09N808A
220-250 V AC	1P+N+E	09N4015	09N8015
380-440 V AC	3P+E	09N4013	09N8013
220-250 V AC 380-440 V AC	3P+N+E	09N4017	09N8017
480-500 V AC	3P+E	09N4093	09N8093
480-500 V AC	3P+N+E	09N4097	09N8097

► Other currents, voltages, frequencies and contact configurations are available (see page 14).

OPTIONS Reference

INDUSTRIAL/DOMESTIC ADAPTERS

Industrial inlet MARECHAL® 1P+N+E and domestic socket-outlet 10/16A 230 V fuse protection 10A and 16A (with integrated fuse). All these plug adapters are available to local standards: replace D11 by D40 for UK, D30 for Germany/Netherlands/Luxembourg, D06 for Italy.



01N8015D11

LOCKING FOR 1 PADLOCK Ø 4 mm (WITHOUT SHAFT)



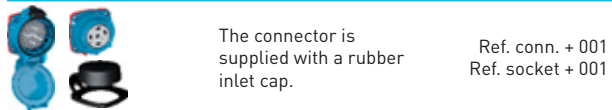
Ref. + 843

SCREW LOCKING IMPRINT BTR 2,5



Ref. socket + 22

REVERSED INTERIOR AND CONTACTS



The connector is supplied with a rubber inlet cap.

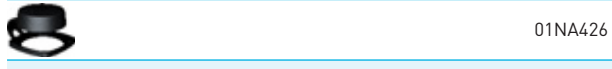
Ref. conn. + 001
Ref. socket + 001

IP55 SOCKET-OUTLET SELF-CLOSING LID



Replace N by S
Ex: 400 V 3P+N+E
poly = 01S4017

INLET CAP IP66/IP67



01NA426

180° OPENING LID



Ref. socket +10

SELF CLOSING/SELF RETURNING LID



Socket-outlet ref.+R

180° OPENING + SELF-RETURNING LID



Ref. socket +18

ELECTROMAGNETIC COMPATIBILITY (EMC) ● NEW

Please order a metal threaded accessory herewith, together with a EMC cable gland to be found on page 318.

PRODUCTS AVAILABLE IN BLACK ●

The black dot means these products are also available in black color. Replace the second character of the product reference with 5

PRODUCT WITH ANTI-BACTERIAL TREATMENT ● NEW

This sticker means that the product is also available with an antibacterial treatment. Add the suffix AG to the reference. For more information on anti-bacterial treated handles please consult us.

SLEEVE	$\angle x^\circ$	Ref.	EMC Option
POLY SLEEVE ●			
	30°	511M3	/
	70°	511M7	/
METAL SLEEVE ●			
	0° (Straight)	591M0	Ref. +EMC
	30°	591M3	Ref. +EMC
	45°	591M4	Ref. +EMC

BOXES $\angle x^\circ$ Input Ref.

POLY BOX

	0° (Straight)	M20	511B0M20
	0° (Straight)	M25	511B0M25
	30°	M20	511B3M20
	30°	M25	511B3M25

METAL BOX (+ EARTHING WIRE) ●

	0° (Straight)	M20	591B0M20
	0° (Straight)	M25	591B0M25

POLY BOX + POLY SLEEVE

	70°	Without hole	511C7000
	70°	Hole Ø 20	511C7M20
	70°	Hole Ø 25	511C7M25
	70°	Hole Ø 32	511C7M32

Earth bar ref. : 51AA089

METAL BOX (+ EARTHING WIRE) + POLY SLEEVE ●

	30°	M20	511C3M20
--	-----	-----	----------

METAL BOX (+ EARTHING WIRE) + METAL SLEEVE ●

	45°	M20	591C4M20
	45°	M25	591C4M25
	45°	M32	591C4M32

Table of cable glands on page 318.

HANDLE Input/Cable outer Ø Ref.

POLY HANDLE WITH GLAND ● ●

	9-18 mm	511P0D18
	5-21 mm	511P0D21
	60° 9-18 mm	511P6D18

POLY HANDLE + POLY CABLE GLAND ● ●

	5-12 mm	511P020P
	9-18 mm	511P025P
	14-25 mm	511P032P

METAL HANDLE WITH METAL GLAND (+ EARTHING WIRE)

	7-13 mm	591P020M
	8-16 mm	591P025M
	16-24 mm	591P032M

POLY HANDLE (PE PAGE 318) ●

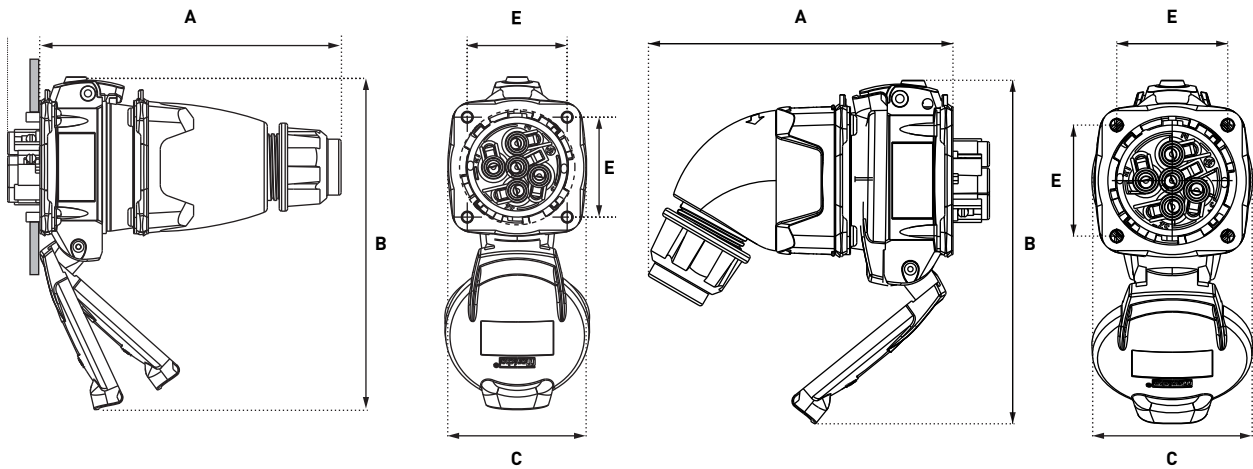
	M20	511P0M20
	M25	511P0M25
	M32	511P0M32

METAL HANDLE METRIC THREAD ENTRY (PE PAGE 318) ● ●

	M20	591P0M20
	M25	591P0M25
	M32	591P0M32

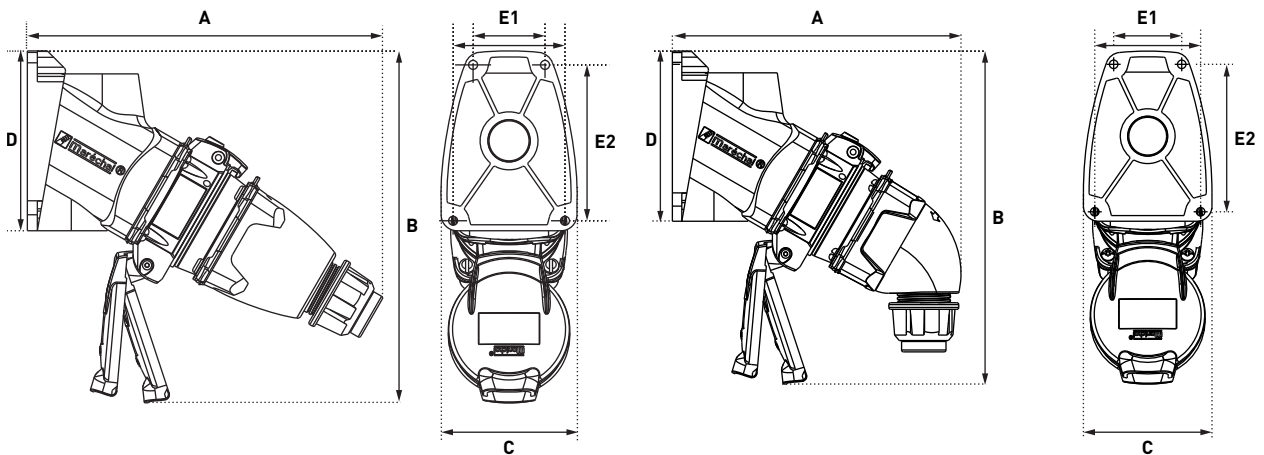
DRAWINGS AND DIMENSIONS

PLUG ON SOCKET-OUTLET



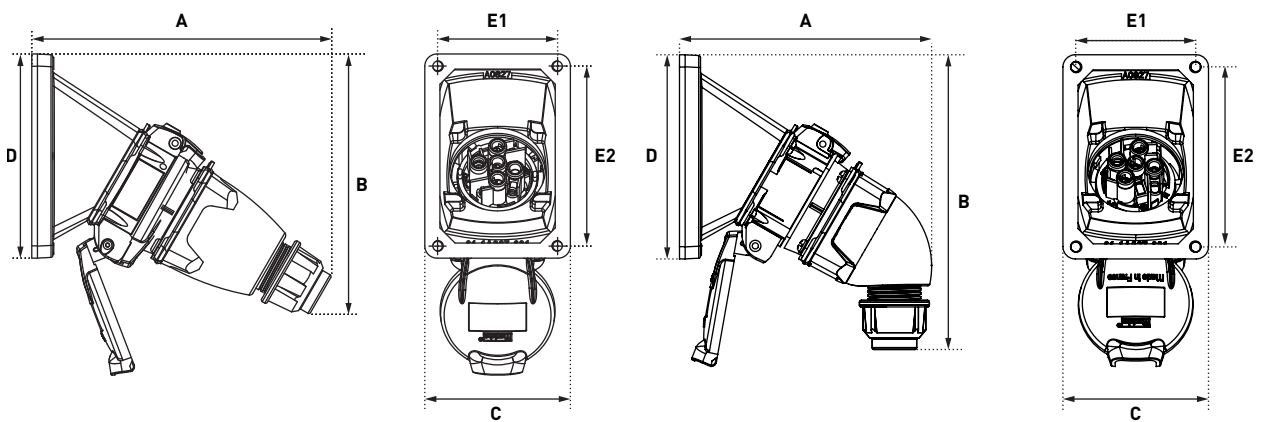
	A	B	C	E
Straight handle	127	140	58	42
Angled handle	117	138	61	42

PLUG ON 30° WALL MOUNTED SOCKET OUTLET



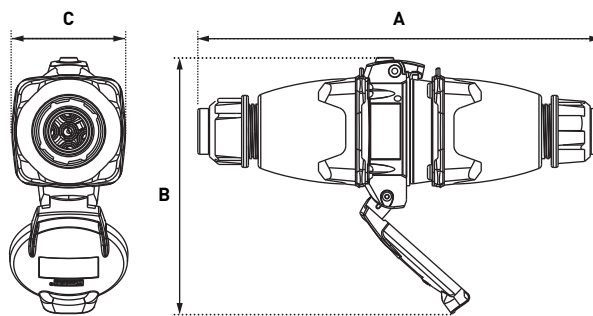
	A	B	C	D	E1	E2
Straight handle	178	176	68	90	36/56	78
Angled handle	153	176	68	90	36/56	78

PLUG ON 30° INCLINED SOCKET-OUTLET



	A	B	C	D	E1	E2
Straight handle	160	170	77	108	64	95
Angled handle	133	165	77	108	64	95

COUPLER



	A	B	C
Straight handle	208	132	58

30 A

500 V
U MAXI

HIGH-TEMPERATURE PLUG PNHT



240 °C



IP44



1-6 mm²
1,5-10 mm²



METAL



IK09



Self-closing lid as a standard

OTHER FEATURES

Flexible wiring (min.-max.)	1-6 mm ²
Stranded wiring (min.-max.)	1,5-10 mm ²



SOCKET-OUTLET
female
PNHT



INLET male
PNHT



20-24 V AC	2P	092408A185	092808A185
220-250 V AC	1P+N+E	0924015185	0928015185
380-440 V AC	3P+E	0924013185	0928013185
220-250 V AC	3P+N+E	0924017185	0928017185

BOXES		Input	Reference
METAL BOX (+ EARTHING WIRE)			
	0° (Straight)	M20	571B0M20185
	0° (Straight)	M25	571B0M25185
METAL BOX (+ EARTHING WIRE) + METAL SLEEVE			
	45°	M20	571C4M20185
	45°	M25	571C4M25185
	45°	M32	571C4M32185

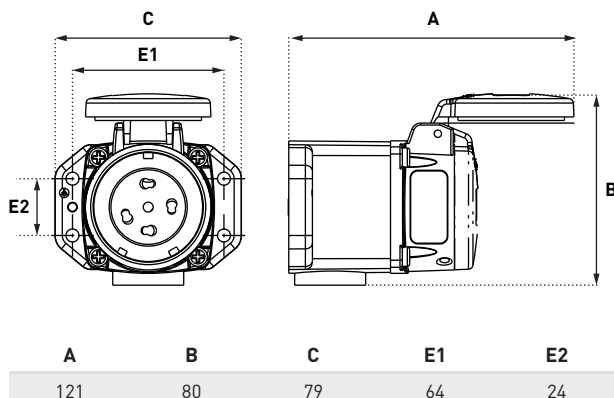
Cable glands are not delivered with the boxes.

SLEEVE		Reference
METAL SLEEVE		
	45°	571M4185

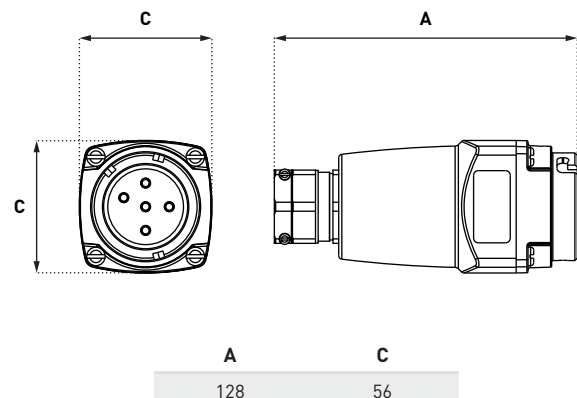
HANDLE	Input/ Cable outer Ø	Reference
METAL HANDLE WITH METAL GLAND (+ EARTHING WIRE)		
	8-13 mm	571P020M185
	12-20 mm	571P025M185
	18-28 mm	571P032M185
METAL HANDLE METRIC THREAD ENTRY (WITHOUT CABLE GLAND)		
	M25	571P0M25185
	M32	571P0M32185

DRAWINGS AND DIMENSIONS

SOCKET ON STRAIGHT WALL BOX



PLUG



30 A

690 V

U MAXI

DECONTACTOR™ DS1



IP54⁽¹⁾
IP55⁽²⁾



2,5-6 mm² ⁽³⁾
2,5-10 mm² ⁽⁴⁾



GRP



IK09



-40 °C
+60 °C



AC-22
AC-23



60309-1
60309-4
60947-3



2 AUX⁽⁵⁾

- [1] IP protection plug connected
- [2] IP protection lid closed
- [3] Flexible wiring (min.-max.).
- [4] Stranded wiring (min.-max.).
- [5] Flexible wiring : 2,5-6 mm²,
stranded : 2,5-10 mm²

LOAD-BREAK CAPABILITY OF THE DECONTACTOR™

Comply with IEC/EN 60309-1 and IEC/EN 60309-4 standards	30 A/690 V
Load-break capability according to IEC/EN 60947-3/AC-22	30 A/690 V
Load-break capability according to IEC/EN 60947-3/AC-23	30 A/480 V
Short-circuit current I _{cc}	10 kA
Power kW AC-22/AC-23	15 kW



Other cable sections:
please contact us



For a black colour
housing replace the second
reference character with 5.

**SOCKET-
OUTLET** female
DS1



INLET male
DS1



Dual-voltage
socket-outlet
(see p. 11)

20-24 V AC	2P	311408A	311808A
220-250 V AC	1P+N+E	3114015	3118015
380-440 V AC	3P+E	3114013	3118013
220-250 V AC 380-440 V AC	3P+N+E	3114017	3118017
660-690 V AC	3P+E	3114193	3118193
380-400 V AC 660-690 V AC	3P+N+E	3114197	3118197
Up to 500 V AC - Auxiliaries 30 A*	+ 2 contacts	Ref. + 972	Ref. + 972

► Other currents, voltages, frequencies and contact configurations are available (see page 14).

* When ordering the auxiliary option, the maximum tolerated voltage is reduced to 500 V AC.

OPTIONS Reference

INDUSTRIAL/DOMESTIC ADAPTERS

Industrial inlet MARECHAL® 1P+N+E and domestic socket-outlet 10/16A 230 V fuse protection 10A and 16A (with integrated fuse). All these plug adapters are available to local standards: replace D11 by D40 for UK, D30 for Germany/Netherlands/Luxembourg, D06 for Italy.



3118015D11

COUPLER FITTED WITH A DIFFERENTIAL BREAKER

Coupler fitted with a domestic plug (IP44 - 10/16A 250V 2P+E), a mobile socket-outlet (DS1 type - IP55-230V 1P+N+E) and a differential circuit breaker (IP55-10 or 30mA - nominal current 16A) with reset button.



3114015ID3 (30 mA)

LOCKING PIN FOR 2 PADLOCKS Ø 4 TO 8 mm (PADLOCK NOT SUPPLIED)



Socket-outlet ref. +843

SAFETY HASP FOR UP TO 6 PADLOCKS



613A541

LARGER RELEASE BUTTON



Ref. socket +453

INLET CAP IP66/IP67



311A426

IN-LINE CONNECTIONS (A PAIR OF FINGER DRAW PLATES TO AID CLOSING)



613A346

IP55 SELF-RETURNING LID



Socket-outlet ref.+R

IP55 METAL LOCKABLE SELF-CLOSING LID FOR INLET



311A226

SELF-EJECTING



See page 192

PRODUCTS AVAILABLE IN BLACK ●

The black dot means these products are also available in black color. Replace the second character of the product reference with 5

PRODUCT WITH ANTI-BACTERIAL TREATMENT ●

NEW

This sticker means that the product is also available with an antibacterial treatment. Add the suffix AG to the reference. For more information on anti-bacterial treated handles please consult us.

SLEEVE Reference

POLY SLEEVE ●



30°

512M3



70°

512M7

METAL SLEEVE



0° (Straight)

592M0



30°

592M3

BOXES Input Reference

POLY BOX ●



30°

M20

512B3M20

30°

M25

512B3M25

METAL BOX (+ EARTHING WIRE)



20°

M20

592B2M20

20°

M25

592B2M25

POLY BOX + POLY SLEEVE

70°

Without hole

512C7000

70°

Hole Ø 20

512C7M20

70°

Hole Ø 25

512C7M25

Earth bar ref. : 51AA089

70°

Hole Ø 32

512C7M32

70°

Hole Ø 40

512C7M40

METAL BOX (+ EARTHING WIRE) + POLY SLEEVE

30°

M20

512C3M20

30°

M25

512C3M25

30°

M32

512C3M32

30°

M40

512C3M40

METAL BOX (+ EARTHING WIRE) + METAL SLEEVE

30°

M20

592C3M20

30°

M25

592C3M25

30°

M32

592C3M32

0° (Straight)

M20

592C0M20

0° (Straight)

M25

592C0M25

0° (Straight)

M32

592C0M32

Cable glands are not delivered with the boxes.

HANDLE Input/
Cable outer Ø Reference Self-ejection

POLY HANDLE WITH GLAND ● ●



5-21 mm

512P0D21

/

POLY HANDLE + POLY CABLE GLAND ● ●

5-12 mm

512P020P

Ref. +443

9-18 mm

512P025P

Ref. +443

14-25 mm

512P032P

Ref. +443

18-32 mm

512P040P

Ref. +443

POLY HANDLE (WITHOUT CABLE GLAND) ●

M20

512P0M20

Ref. +443

M25

512P0M25

Ref. +443

M32

512P0M32

Ref. +443

M40

512P0M40

Ref. +443

METAL HANDLE WITH METAL GLAND (+ EARTHING WIRE)

7-13 mm

592P020M

/

8-16 mm

592P025M

/

16-24 mm

592P032M

/

METAL HANDLE METRIC THREAD ENTRY (WITHOUT CABLE GLAND)

M20

592P0M20

/

M25

592P0M25

/

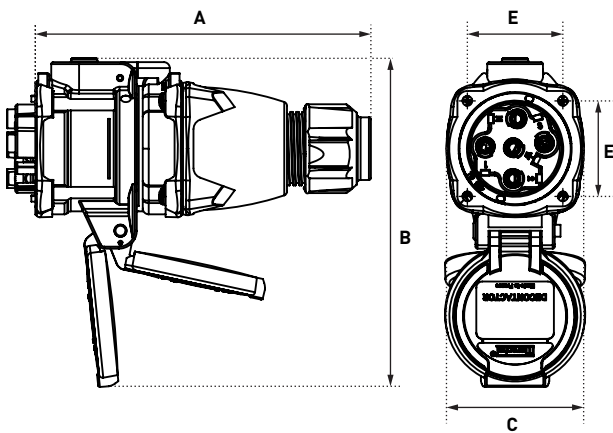
M32

592P0M32

/

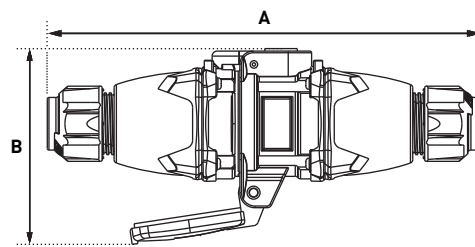
DRAWINGS AND DIMENSIONS

PLUG ON SOCKET-OUTLET



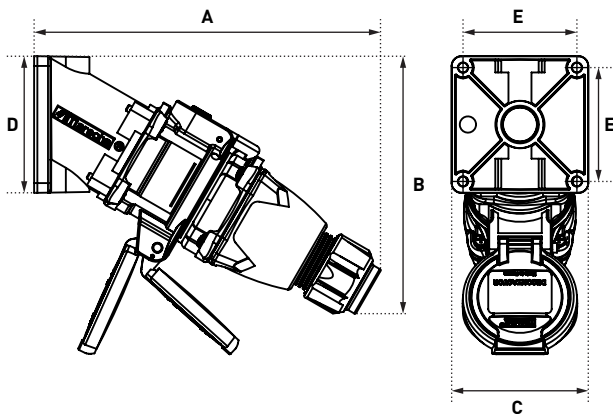
A	B	C	E
166	163	69	48

COUPLER



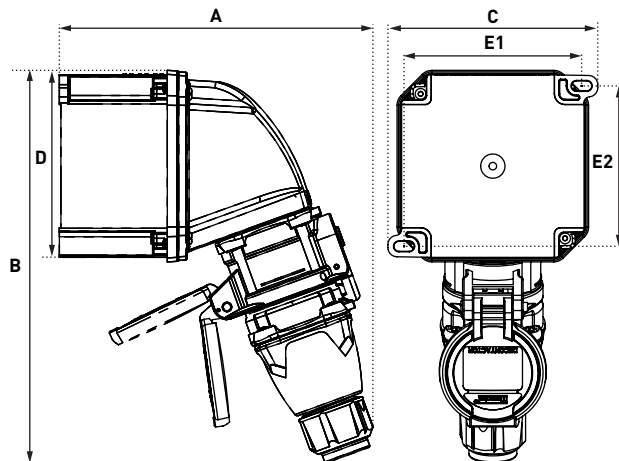
A	B	C
259	117	69

PLUG ON 30° WALL MOUNTED SOCKET OUTLET



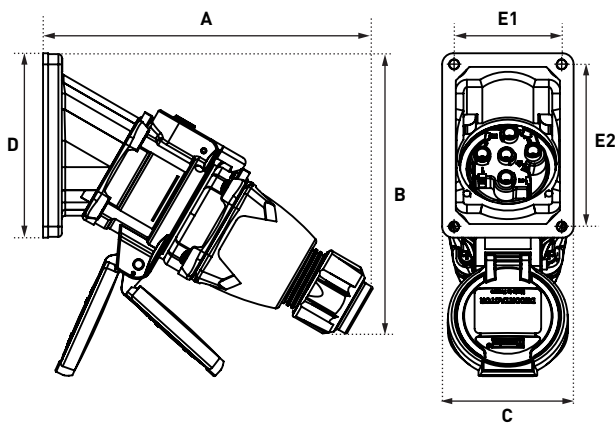
A	B	C	D	E
209	157	84	84	70

PLUG ON 70° WALL-MOUNTED SOCKET-OUTLET



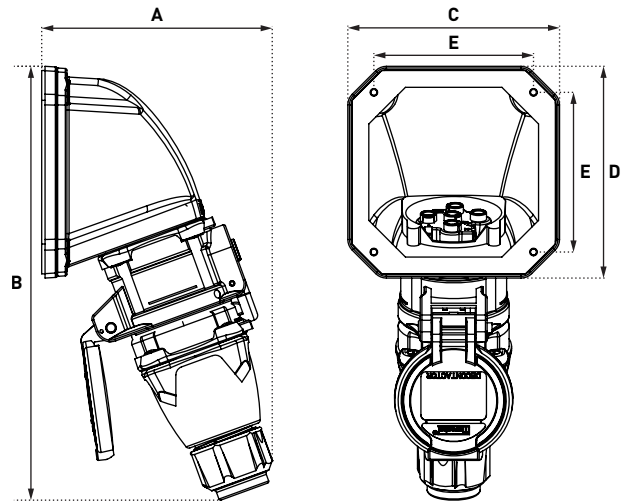
A	B	C	D	E1	E2
206	259	138	126	117	106

PLUG ON 30° INCLINED SOCKET-OUTLET



A	B	C	D	E1	E2
193	200	77	108	63	95

PLUG ON 70° INCLINED SOCKET-OUTLET



A	B	C	D	E
138	259	126	126	95



32 A

690 V

U MAXI

DECONTACTOR™ DSN3



IP66
IP67
IP69



2,5-6 mm² (1)
2,5-10 mm² (2)



GRP



IK09



-40 °C
+60 °C



AC-22
AC-23



60309-1
60309-4
60947-3



2 AUX. (3)

(1) Flexible wiring (min.-max.).
(2) Stranded wiring (min.-max.).
(3) Flexible wiring : 2,5-6 mm²,
stranded : 2,5-10 mm²



Other cable sections:
please contact us

LOAD-BREAK CAPABILITY OF THE DECONTACTOR™

Comply with IEC/EN 60309-1 and IEC/EN 60309-4 standards	32 A/690 V
Load-break capability according to IEC/EN 60947-3/AC-22	32 A/690 V
Load-break capability according to IEC/EN 60947-3/AC-23	32 A/480 V
Short-circuit current I _{cc}	10 kA
Power kW AC-22/AC-23	18,5 kW



For a black colour
housing replace the second
reference character with 5.

**SOCKET-
OUTLET** female
DSN3



INLET male
DSN3



Dual-voltage
socket-outlet
(see p. 11)



20-24 V AC	2P	613408A	613808A
220-250 V AC	1P+N+E	6134015	6138015
380-440 V AC	3P+E	6134013	6138013
220-250 V AC 380-440 V AC	3P+N+E	6134017	6138017
660-690 V AC	3P+E	6134193	6138193
380-400 V AC 660-690 V AC	3P+N+E	6134197	6138197
Auxiliaries 30 A/500 V AC	+ 2 contacts	Ref. + 972	Ref. + 972


► Other currents, voltages, frequencies and contact configurations are available (see page 14).

* When ordering the auxiliary option, the maximum tolerated voltage is reduced to 500 V AC.


OPTIONS Reference

INDUSTRIAL/DOMESTIC ADAPTERS

Industrial inlet MARECHAL® 1P+N+E and domestic socket-outlet 10/16A 230 V fuse protection 10A and 16A (with integrated fuse).
All these plug adapters are available to local standards: replace D11 by D40 for UK, D30 for Germany/Netherlands/Luxembourg, D06 for Italy.

		6138015D11
---	---	------------

LOCKING PIN FOR 2 PADLOCKS Ø 4 TO 8 mm (PADLOCK NOT SUPPLIED)

	Socket-outlet ref. +843
---	-------------------------

SAFETY HASP FOR UP TO 6 PADLOCKS

	613A541
---	---------

LARGER RELEASE BUTTON

	Ref. socket +453
---	------------------

INLET CAP IP66/IP67

	613A426
---	---------

IN-LINE CONNECTIONS (A PAIR OF FINGER DRAW PLATES TO AID CLOSING)

	613A346
---	---------

IP40 SELF RETURNING LID (MANUAL CLOSING)

	Socket-outlet ref.+R
---	----------------------

IP55 METAL LOCKABLE SELF-CLOSING LID FOR INLET

	613A226
---	---------

SELF-EJECTION

	See page 192
---	--------------

PRODUCTS AVAILABLE IN BLACK ●



The black dot means these products are also available in black color. Replace the second character of the product reference with 5

PRODUCT WITH ANTI-BACTERIAL TREATMENT ● NEW



This sticker means that the product is also available with an antibacterial treatment. Add the suffix AG to the reference. For more information on anti-bacterial treated handles please consult us.

SLEEVE Reference

POLY SLEEVE ●


	30°	512M3
	70°	512M7

METAL SLEEVE


	0° (Straight)	592M0
	30°	592M3

BOXES Input Reference


POLY BOX ●

	30°	M20	512B3M20
	30°	M25	512B3M25


METAL BOX (+ EARTHING WIRE)

	20°	M20	592B2M20
	20°	M25	592B2M25



POLY BOX + POLY SLEEVE (BLACK VERSION SEE ACCESSORIES DXN3 PAGE 253)

	70°	Without hole	512C7000
	70°	Hole Ø 20	512C7M20
	70°	Hole Ø 25	512C7M25
Earth bar ref.: 51AA089	70°	Hole Ø 32	512C7M32
	70°	Hole Ø 40	512C7M40

METAL BOX (+ EARTHING WIRE) + POLY SLEEVE

	30°	M20	512C3M20
	30°	M25	512C3M25
	30°	M32	512C3M32
	30°	M40	512C3M40


METAL BOX (+ EARTHING WIRE) + METAL SLEEVE

	30°	M20	592C3M20
	30°	M25	592C3M25
	30°	M32	592C3M32
	0° (Straight)	M20	592C0M20
	0° (Straight)	M25	592C0M25
	0° (Straight)	M32	592C0M32

Cable glands are not delivered with the boxes.

HANDLE Input/Cable outer Ø Reference Self-ejection

POLY HANDLE WITH GLAND ●●

	5-21 mm	512P0D21	/
---	---------	----------	---


POLY HANDLE + POLY CABLE GLAND ●●

	5-12 mm	512P020P	Ref. +443
	9-18 mm	512P025P	Ref. +443
	14-25 mm	512P032P	Ref. +443
	18-32 mm	512P040P	Ref. +443

METAL HANDLE WITH METAL GLAND (+ EARTHING WIRE)

	7-13 mm	592P020M	/
	8-16 mm	592P025M	/
	16-24 mm	592P032M	/

POLY HANDLE (WITHOUT CABLE GLAND) ●

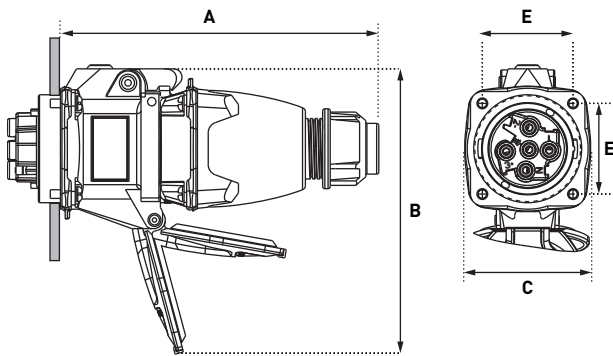
	M20	512P0M20	Ref. +443
	M25	512P0M25	Ref. +443
	M32	512P0M32	Ref. +443
	M40	512P0M40	Ref. +443

METAL HANDLE METRIC THREAD ENTRY (WITHOUT CABLE GLAND)

	M20	592P0M20	/
	M25	592P0M25	/
	M32	592P0M32	/

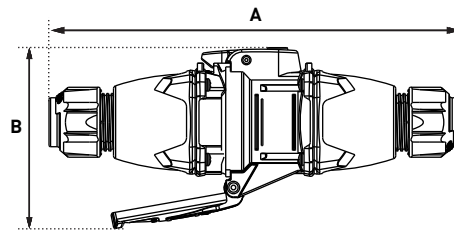
DRAWINGS AND DIMENSIONS

PLUG ON SOCKET-OUTLET



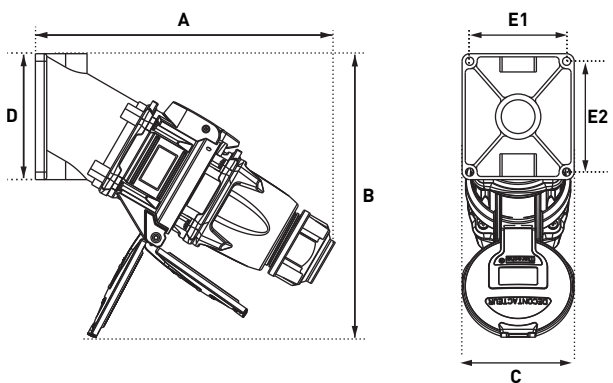
A	B	C	E
171	171	77	48

COUPLER



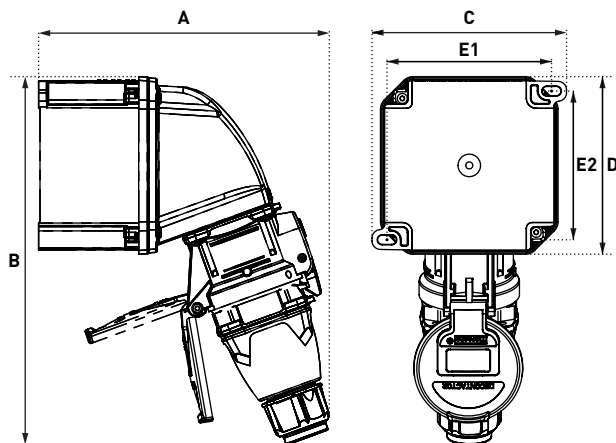
A	B
265	116

PLUG ON 30° WALL MOUNTED SOCKET OUTLET



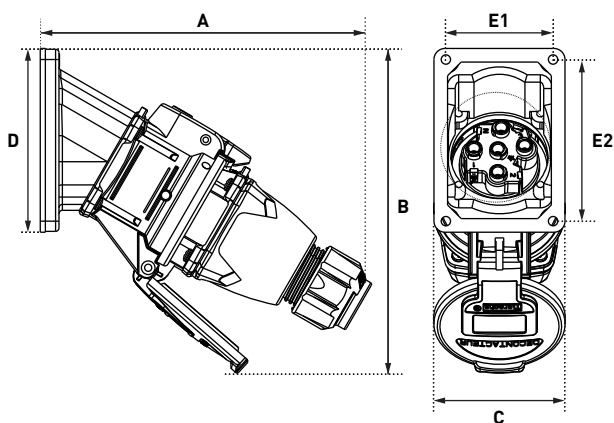
A	B	C	D	E1	E2
213	191	84	84	70	70

PLUG ON 70° WALL-MOUNTED SOCKET-OUTLET



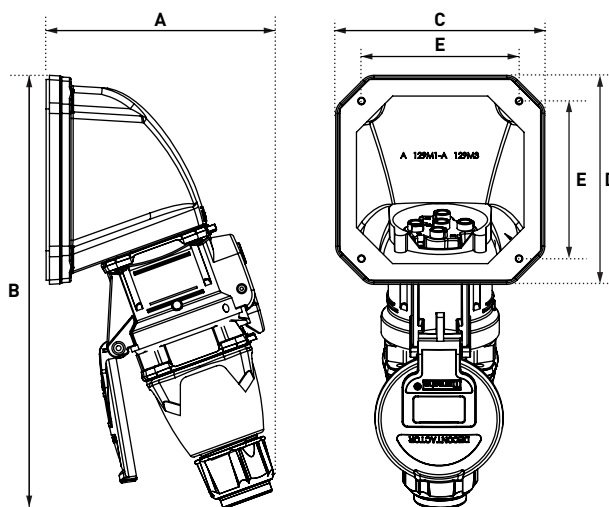
A	B	C	D	E1	E2
207	262	138	126	117	105.5

PLUG ON 30° INCLINED SOCKET-OUTLET



A	B	C	D	E1	E2
195	165	77	191	63	95

PLUG ON 70° INCLINED SOCKET-OUTLET



A	B	C	D	E
138	262	126	126	95



50 A

1 000 V
U MAXI

DECONTACTOR™ DS3



IP54⁽¹⁾
IP55⁽²⁾



6-16 mm² ⁽³⁾
10-25 mm² ⁽⁴⁾



GRP



IK09



-40 °C
+60 °C



AC-22
AC-23



60309-1
60309-4
60947-3



4 AUX. ⁽⁵⁾

- (1) IP protection plug connected
- (2) IP protection lid closed
- (3) Flexible wiring (min.-max.).
- (4) Stranded wiring (min.-max.).
- (5) Flexible wiring : 1-2,5 mm², stranded : 1,5-4mm²



**Other cable sections:
please contact us**



**For a black colour
housing replace the second
reference character with 5.**

LOAD-BREAK CAPABILITY OF THE DECONTACTOR™

Comply with IEC/EN 60309-1 and IEC/EN 60309-4 standards	(50 A/690 V) or (45 A/1000 V)
Load-break capability according to IEC/EN 60947-3/AC-22	40 A/690 V
Load-break capability according to IEC/EN 60947-3/AC-23	50 A/400 V
Short-circuit current I _{cc}	10 kA
Power kW AC-22/AC-23	30 kW

SOCKET-OUTLET

female
DS3











INLET male
DS3






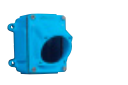
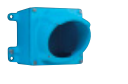

**Dual-voltage
socket-outlet
(see p. 11)**

20-24 V AC	2P	313408A	313808A
220-250 V AC	1P+N+E	3134015	3138015
380-440 V AC	3P+E	3134013	3138013
220-250 V AC 380-440 V AC	3P+N+E	3134017	3138017
660-690 V AC	3P+E	3134193	3138193
380-400 V AC 660-690 V AC	3P+N+E	3134197	3138197
1 000 V AC	3P+E	3134223	3138223
Auxiliaries 16 A/400 V AC	+ 2 contacts	Ref. + 972	Ref. + 972
Auxiliaries 16 A/400 V AC	+ 4 contacts	Ref. + 264	Ref. + 264






► Other currents, voltages, frequencies and contact configurations are available (see page 14).

OPTIONS	Reference
LOCKING PIN FOR 2 PADLOCKS Ø 4 TO 8 mm (PADLOCK NOT SUPPLIED)	
	Socket-outlet ref. +843
SAFETY HASP FOR UP TO 6 PADLOCKS	
	613A541
LARGER RELEASE BUTTON	
	Ref. socket +453
INLET CAP IP66/IP67	
	313A426
IN-LINE CONNECTIONS (A PAIR OF FINGER DRAW PLATES TO AID CLOSING)	
	616A346
IP55 SELF-RETURNING LID	
	Socket-outlet ref.+R
IP55 METAL LOCKABLE SELF-CLOSING LID FOR INLET	
	313A226
SELF-EJECTING	
	See page 192
PRODUCTS AVAILABLE IN BLACK ●	
The black dot means these products are also available in black color. Replace the second character of the product reference with 5	
PRODUCT WITH ANTI-BACTERIAL TREATMENT ●	NEW
This sticker means that the product is also available with an antibacterial treatment. Add the suffix AG to the reference. For more information on anti-bacterial treated handles please consult us.	

HANDLE	Input/ Cable outer Ø	Reference	Self-ejection
POLY HANDLE WITH GLAND ●●			
	10-30 mm	513P0D30	/
POLY HANDLE + POLY CABLE GLAND ●●			
	9-18 mm	513P025P	Ref. +443
	14-25 mm	513P032P	Ref. +443
	18-32 mm	513P040P	Ref. +443
POLY HANDLE (WITHOUT CABLE GLAND) ●			
	M20	513P0M20	Ref. +443
	M25	513P0M25	Ref. +443
	M32	513P0M32	Ref. +443
	M40	513P0M40	Ref. +443
METAL HANDLE WITH METAL GLAND (+ EARTHING WIRE)			
	7-13 mm	593P020M	/
	8-16 mm	593P025M	/
	16-24 mm	593P032M	/
	22-32 mm	593P040M	/
METAL HANDLE METRIC THREAD ENTRY (WITHOUT CABLE GLAND)			
	M20	593P0M20	/
	M25	593P0M25	/
	M32	593P0M32	/
	M40	593P0M40	/

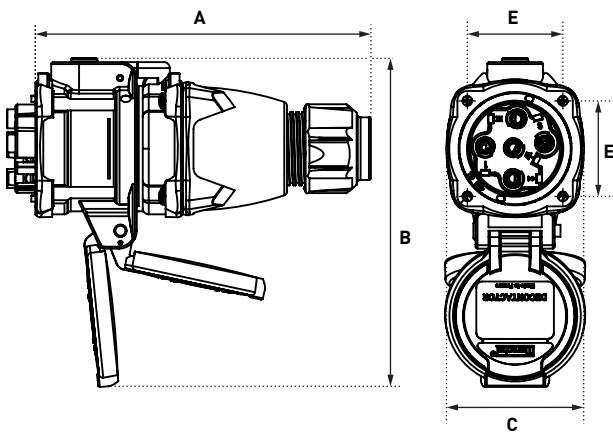
BOXES	∠x°	Input	Reference
POLY BOX ●			
	30°	M25	513B3M25
METAL BOX (+ EARTHING WIRE)			
	20°	M20	593B2M20
	20°	M25	593B2M25
	20°	M32	593B2M32
POLY BOX + POLY SLEEVE			
	70°	Without hole	513C7000
	70°	Hole Ø 25	513C7M25
	70°	Hole Ø 32	513C7M32
	70°	Hole Ø 40	513C7M40
Earth bar ref. : 51AA089			
METAL BOX (+ EARTHING WIRE) + POLY SLEEVE			
	30°	M20	513C3M20
	30°	M25	513C3M25
	30°	M32	513C3M32
	30°	M40	513C3M40
METAL BOX (+ EARTHING WIRE) + METAL SLEEVE			
	30°	M20	593C3M20
	30°	M25	593C3M25
	30°	M32	593C3M32
	30°	M40	593C3M40
	0° (Straight)	M20	593C0M20
	0° (Straight)	M25	593C0M25
	0° (Straight)	M32	593C0M32
	0° (Straight)	M40	593C0M40
	70°	M20	593C7M20
	70°	M25	593C7M25
	70°	M32	593C7M32
	70°	M40	593C7M40

Cable glands are not delivered with the boxes.

SLEEVE	∠x°	Reference
POLY SLEEVE ●		
	30°	513M3
	70°	513M7
METAL SLEEVE		
	0° (Straight)	593M0
	30°	593M3
	70°	593M7

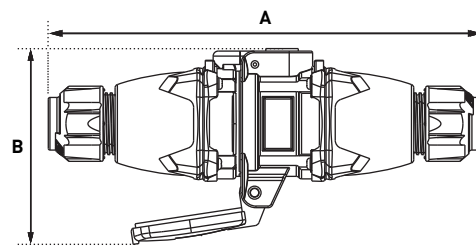
DRAWINGS AND DIMENSIONS

PLUG ON SOCKET-OUTLET



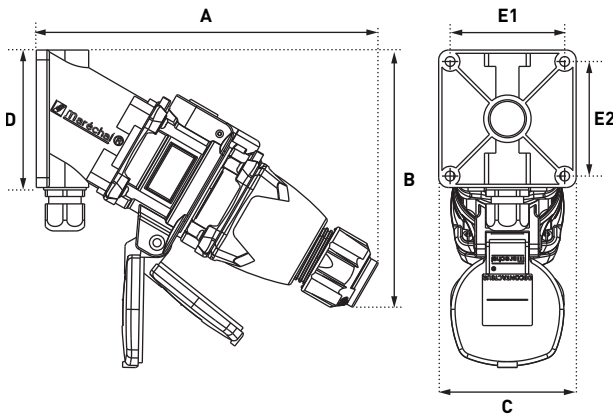
A	B	C	E
179	184	80	55

COUPLER



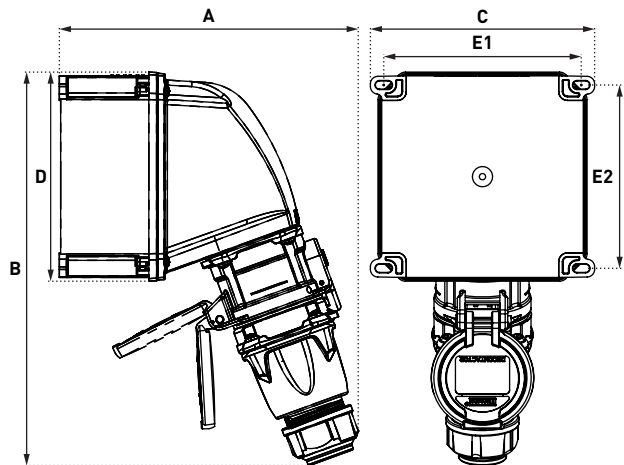
A	B
277	145

PLUG ON 30° WALL MOUNTED SOCKET OUTLET



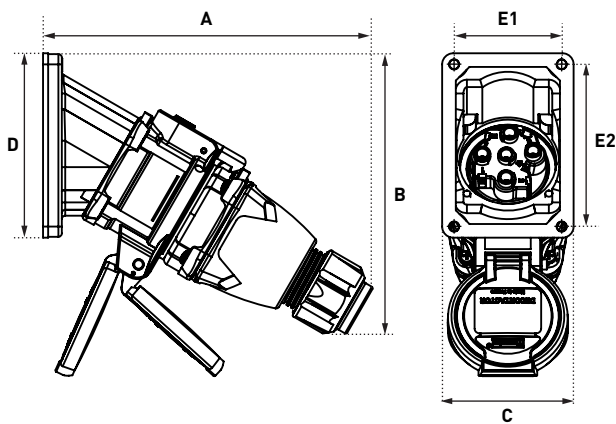
A	B	C	D	E1	E2
235	219	89	100	77	88

PLUG ON 70° WALL-MOUNTED SOCKET-OUTLET



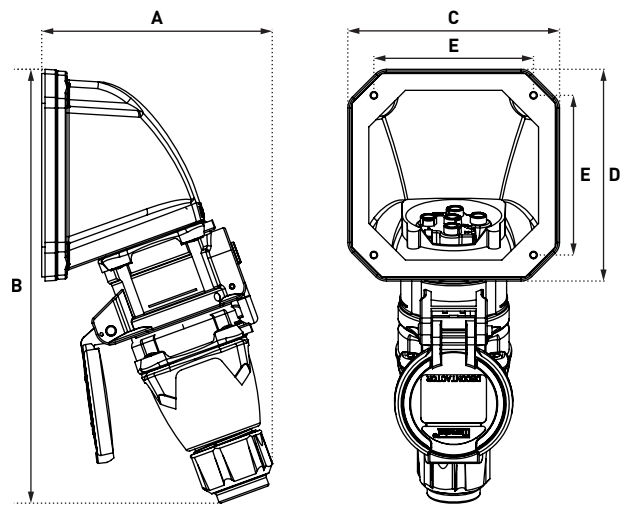
A	B	C	D	E1	E2
238	313	178	166	157	146

PLUG ON 30° INCLINED SOCKET-OUTLET



A	B	C	D	E1	E2
208	214	77	108	63	95

PLUG ON 70° INCLINED SOCKET-OUTLET



A	B	C	D	E
169	313	166	166	135



50 A

500 V
U_{MAXI}

FLAT CONNECTOR FC



IP54



6 - 10 mm²



GRP



IK09



-40 °C
+60 °C

Suitable for flat cables with width between 26 mm and 40 mm and height between 7 mm and 11 mm

OTHER FEATURES

Polarity	4P+E
Flexible wiring (min.-max.)	6 - 10 mm ²
Stranded wiring (min.-max.)	6 - 10 mm ²
Number of operations	2000 cycles
IP protection plug connected	IP54
IP protection disconnected	IP2X

REFERENCES AND ACCESSORIES

SOCKET-OUTLET female
FC



INLET male
FC



500 V AC	4+E	05F4007	05F8007
----------	-----	---------	---------

ACCESSORIES

Reference

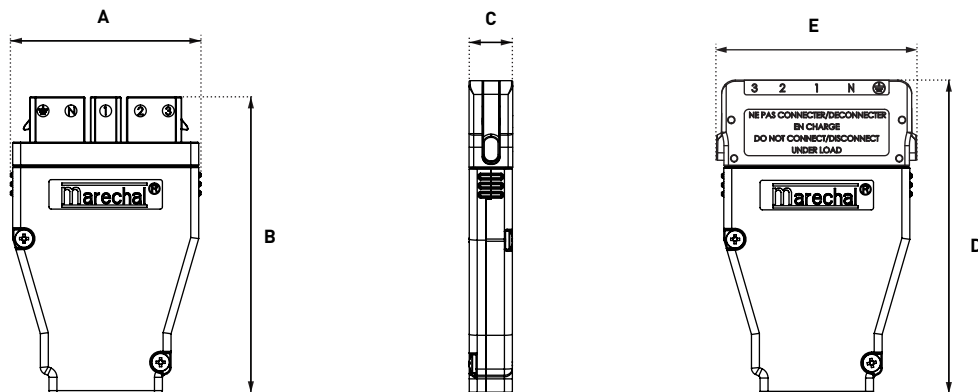
HANDLES



01FA013

Adapter accessory for 5G6 flat cables is included.

DRAWINGS AND DIMENSIONS



A	B	C	D	E
84	131	19	138	89

63 A

1 000 V
U MAXI

DECONTACTOR™ DSN6



IP66
IP67
IP69



6-16 mm² (1)
10-25 mm² (2)



GRP



IK09



-40 °C
+60 °C



AC-22
AC-23



60309-1
60309-4
60947-3



4 AUX. (3)

(1) Flexible wiring (min.-max.).
(2) Stranded wiring (min.-max.).
(3) Flexible wiring : 1-2,5 mm²,
stranded : 1,5-4 mm²



**Other cable sections:
please contact us**



**For a black colour
housing replace the second
reference character with 5.**

LOAD-BREAK CAPABILITY OF THE DECONTACTOR™

Comply with IEC/EN 60309-1 and IEC/EN 60309-4 standards	(63 A/690 V) or (45 A/1000 V)
Load-break capability according to IEC/EN 60947-3/AC-22	40 A/690 V
Load-break capability according to IEC/EN 60947-3/AC-23	63 A/400 V
Short-circuit current I _{cc}	10 kA
Power kW AC-22/AC-23	30 kW

SOCKET-OUTLET

female
DSN6











INLET male
DSN6



**Dual-voltage
socket-outlet
(see p. 11)**

20-24 V AC	2P	616408A	616808A
190-230 V AC	3P+E	6164033	6168033
220-250 V AC	1P+N+E	6164015	6168015
380-440 V AC	3P+E	6164013	6168013
220-250 V AC 380-440 V AC	3P+N+E	6164017	6168017
660-690 V	3P+E	6164193	6168193
380-400 V 660-690 V	3P+N+E	6164197	6168197
Auxiliaries 16 A/400 V AC	+ 2 contacts	Ref. + 972	Ref. + 972
Auxiliaries 16 A/400 V AC	+ 4 contacts	Ref. + 264	Ref. + 264

► Other currents, voltages, frequencies and contact configurations are available (see page 14).






OPTIONS	Reference
LOCKING PIN FOR 2 PADLOCKS Ø 4 TO 8 mm (PADLOCK NOT SUPPLIED)	
	Socket-outlet ref. +843
SAFETY HASP FOR UP TO 6 PADLOCKS	
	613A541
LARGER RELEASE BUTTON	
	Ref. socket +453
INLET CAP IP66/IP67	
	616A426
IN-LINE CONNECTIONS (A PAIR OF FINGER DRAW PLATES TO AID CLOSING)	
	616A346
IP40 SELF RETURNING LID (MANUAL CLOSING)	
	Socket-outlet ref.+R
IP55 METAL LOCKABLE SELF-CLOSING LID FOR INLET	
	616A226
SELF-EJECTION	
	See page 192








PRODUCTS AVAILABLE IN BLACK ●

The black dot means these products are also available in black color. Replace the second character of the product reference with 5






PRODUCT WITH ANTI-BACTERIAL TREATMENT ●**NEW**

This sticker means that the product is also available with an antibacterial treatment. Add the suffix AG to the reference. For more information on anti-bacterial treated handles please consult us.

SLEEVE	Reference
POLY SLEEVE ●	
	30° 513M3
	70° 513M7
METAL SLEEVE	
	0° (Straight) 593M0
	30° 593M3
	70° 593M7

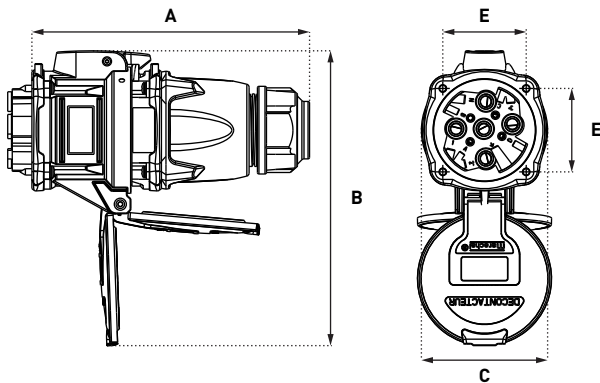
BOXES *	Input	Reference
POLY BOX ●		
	30° M25	513B3M25
METAL BOX (+ EARTHING WIRE)		
	20° M20	593B2M20
	20° M25	593B2M25
	20° M32	593B2M32
POLY BOX + POLY SLEEVE (BLACK VERSION SEE ACCESSORIES DXN6 PAGE 259)		
	70° Without hole	513C7000
	70° Hole Ø 25	513C7M25
	70° Hole Ø 32	513C7M32
Earth bar ref.: 51AA089	70° Hole Ø 40	513C7M40
METAL BOX (+ EARTHING WIRE) + POLY SLEEVE		
	30° M20	513C3M20
	30° M25	513C3M25
	30° M32	513C3M32
	30° M40	513C3M40
METAL BOX (+ EARTHING WIRE) + METAL SLEEVE		
	30° M20	593C3M20
	30° M25	593C3M25
	30° M32	593C3M32
	30° M40	593C3M40
	0° (Straight) M20	593C0M20
	0° (Straight) M25	593C0M25
	0° (Straight) M32	593C0M32
	0° (Straight) M40	593C0M40
	70° M20	593C7M20
	70° M25	593C7M25
	70° M32	593C7M32
	70° M40	593C7M40

* Cable glands are not delivered with the boxes.

HANDLE	Input/ Cable outer Ø	Reference	Self-ejection
POLY HANDLE WITH GLAND ●●			
	10-30 mm	513P0D30	/
POLY HANDLE + POLY CABLE GLAND ●●			
	5-12 mm	513P020P	Ref. +443
	9-18 mm	513P025P	Ref. +443
	14-25 mm	513P032P	Ref. +443
	18-32 mm	513P040P	Ref. +443
METAL HANDLE WITH METAL GLAND (+ EARTHING WIRE)			
	7-13 mm	593P020M	/
	8-16 mm	593P025M	/
	16-24 mm	593P032M	/
	22-32 mm	593P040M	/
POLY HANDLE (WITHOUT CABLE GLAND) ●			
	M20	513P0M20	Ref. +443
	M25	513P0M25	Ref. +443
	M32	513P0M32	Ref. +443
	M40	513P0M40	Ref. +443
METAL HANDLE METRIC THREAD ENTRY (WITHOUT CABLE GLAND)			
	M20	593P0M20	/
	M25	593P0M25	/
	M32	593P0M32	/
	M40	593P0M40	/

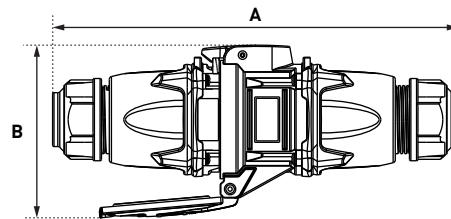
DRAWINGS AND DIMENSIONS

PLUG ON SOCKET-OUTLET



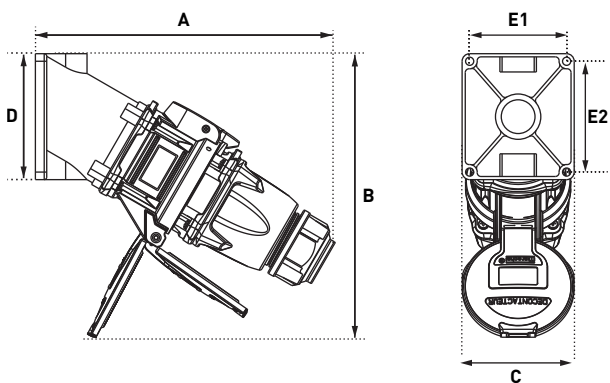
A	B	C	E
184	195	84	55

COUPLER



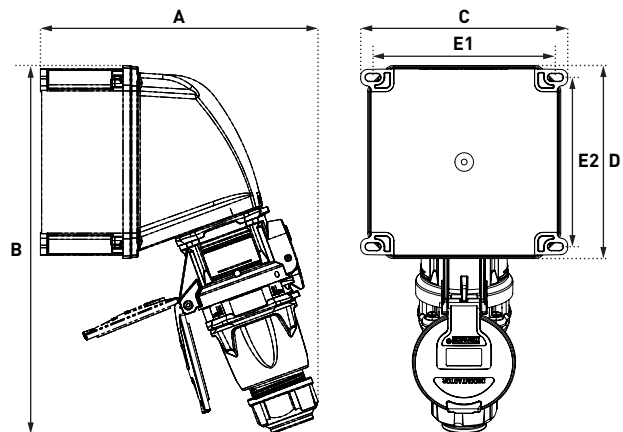
A	B
286	122

PLUG ON 30° WALL MOUNTED SOCKET OUTLET



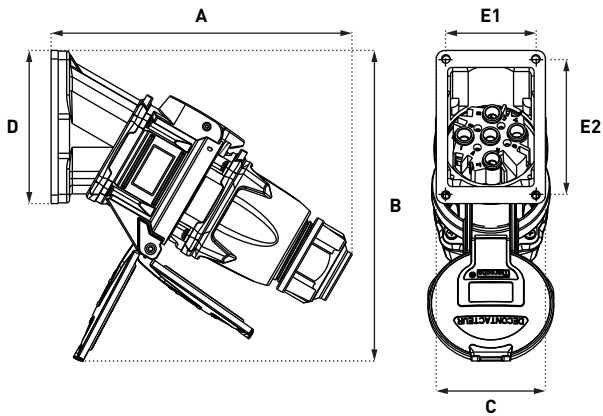
A	B	C	D	E1	E2
238	225	89	100	77	88

PLUG ON 70° WALL-MOUNTED SOCKET-OUTLET

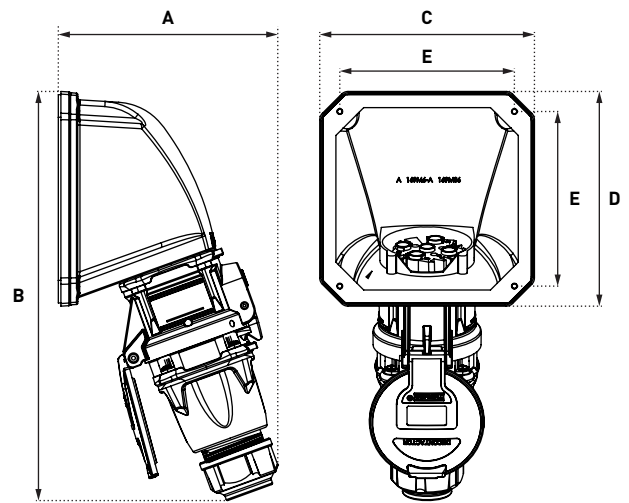


A	B	C	D	E1	E2
239	317	178	166	157	146

PLUG ON 30° INCLINED SOCKET-OUTLET



PLUG ON 70° INCLINED SOCKET-OUTLET



A	B	C	D	E1	E2
212	219	77	108	64	95

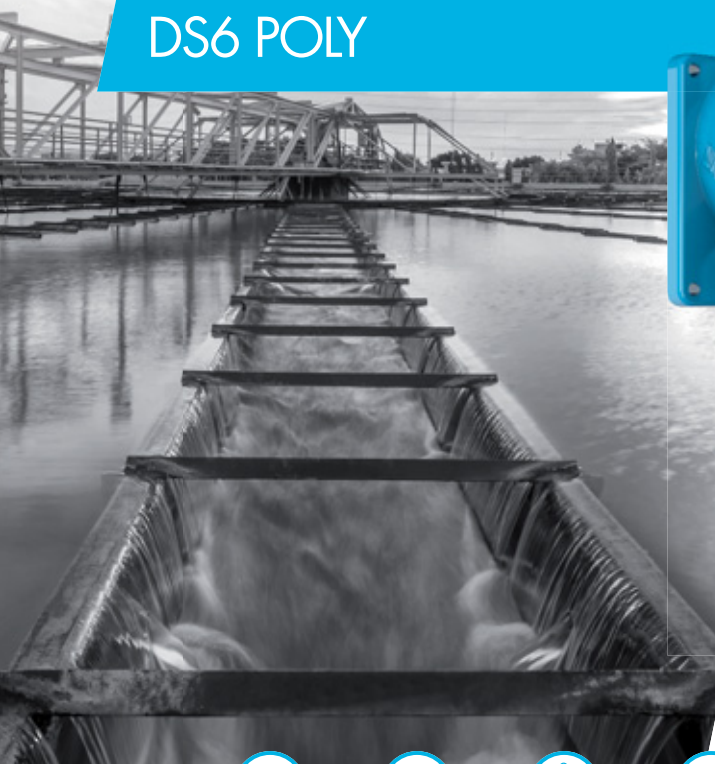
A	B	C	D	E
170	317	166	166	135



90 A

1 000 V
U MAXI

DECONTACTOR™ DS6 POLY



IP66
IP67



10-25 mm² (1)
10-35 mm² (2)



GRP



IK09



-40 °C
+60 °C



AC-22
AC-23



60309-1
60309-4



4 AUX. (3)

(1) Flexible wiring (min.-max.).
(2) Stranded wiring (min.-max.).
(3) Flexible wiring 2,2 mm².



Other cable sections:
please contact us

GRP devices are not
compatible with metal
devices.



For a black colour
housing replace the second
reference character with 5.

Dual-voltage
socket-outlet
(see p. 11)

LOAD-BREAK CAPABILITY OF THE DECONTACTOR™

Comply with IEC/EN 60309-1 and IEC/EN 60309-4 standards	(90 A/690 V) or (63 A/1000 V)
Load-break capability according to IEC/EN 60947-3/AC-22	63 A/690 V
Load-break capability according to IEC/EN 60947-3/AC-23	90 A/400 V
Short-circuit current I _{cc}	10 kA
Power kW AC-22/AC-23	45 kW

SOCKET-OUTLET

female
DS6










INLET male
DS6










220-250 V AC	1P+N+E	3164015	3168015
380-440 V AC	3P+E	3164013	3168013
220-250 V AC 380-440 V AC	3P+N+E	3164017	3168017
660-690 V AC	3P+E	3164193	3168193
380-400 V AC 660-690 V AC	3P+N+E	3164197	3168197
1 000 V AC	3P+E	3164223	3168223
Auxiliaries 5 A/500 V AC	+ 2 contacts	Ref. + 972	Ref. + 972
Auxiliaries 5 A/500 V AC	+ 4 contacts	Ref. + 264	Ref. + 264

- ▶ Other currents, voltages, frequencies and contact configurations are available (see page 14).
- ▶ Existing version for 100 A is available, order Reference +228.



OPTIONS	Reference
LOCKING PIN FOR 2 PADLOCKS Ø 4 TO 8 mm (PADLOCKS NOT SUPPLIED)	
	Socket-outlet ref. +843
SAFETY HASP FOR UP TO 6 PADLOCKS	
	399A541
LARGER RELEASE BUTTON	
	Ref. socket +453
INLET CAP IP66/IP67	
	316A426
IN-LINE CONNECTIONS (A PAIR OF FINGER DRAW PLATES TO AID CLOSING)	
	316A346
IP40 SELF RETURNING LID (MANUAL CLOSING)	
	Ref. socket + R
IP55 METAL LOCKABLE SELF-CLOSING LID FOR INLET	
	316A226
SELF-EJECTION	
	See page 192
PRODUCTS AVAILABLE IN BLACK ●	
The black dot means these products are also available in black color. Replace the second character of the product reference with 5	

HANDLE	Input/ Cable outer Ø	Reference	Self-ejection
ELASTOMER HANDLE WITH GLAND			
	18-25 mm	554P0D25L	Ref. +443
	25-35 mm	554P0D35L	Ref. +443
	35-45 mm	554P0D45L	Ref. +443
	45-49 mm	554P0D49L	Ref. +443
POLY HANDLE WITH GLAND ●			
	13-35 mm	514P0D35	/
POLY HANDLE + POLY CABLE GLAND ●			
	14-25 mm	514P032P	Ref. +443
	18-32 mm	514P040P	Ref. +443
	24-38 mm	514P050P	Ref. +443
POLY HANDLE (WITHOUT CABLE GLAND) ●			
	M32	514P0M32	Ref. +443
	M40	514P0M40	Ref. +443
	M50	514P0M50	/
METAL HANDLE METRIC THREAD ENTRY (WITHOUT CABLE GLAND)			
	M25	594P0M25	/
	M32	594P0M32	/
	M40	594P0M40	/
	M50	594P0M50	/

HANDLE	Input/Cable outer Ø	Reference
METAL HANDLE WITH METAL GLAND (+ EARTHING WIRE)		
	8-16 mm	594P025M
	16-24 mm	594P032M
	22-32 mm	594P040M
	34-44 mm	594P050M

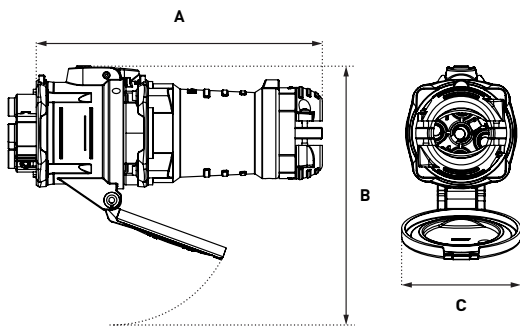
BOXES	∠x°	Input	Reference	
POLY BOX ●				
	30°	M32	514B3M32	
	30°	M40	514B3M40	
METAL BOX (+ EARTHING WIRE)				
	20°	M25	594B2M25	
	20°	M32	594B2M32	
	20°	M40	594B2M40	
POLY BOX + POLY SLEEVE				
	70°	Without hole	514C7000	
	70°	Hole Ø 32	514C7M32	
	70°	Hole Ø 40	514C7M40	
Earth bar ref. : 51AA089				
METAL BOX (+ EARTHING WIRE) + POLY SLEEVE				
	30°	M25	514C3M25	
	30°	M32	514C3M32	
	30°	M40	514C3M40	
	30°	M50	514C3M50	
METAL BOX (+ EARTHING WIRE) + METAL SLEEVE				
	30°	M25	594C3M25	
	30°	M32	594C3M32	
	30°	M40	594C3M40	
	30°	M50	594C3M50	
	0° (Straight)	M25	594C0M25	
	0° (Straight)	M32	594C0M32	
	0° (Straight)	M40	594C0M40	
	0° (Straight)	M50	594C0M50	
		70°	M25	594C7M25
		70°	M32	594C7M32
70°		M40	594C7M40	
	70°	M50	594C7M50	

Cable glands are not delivered with the boxes.

SLEEVE	∠x°	Reference
POLY SLEEVE		
	30°	514M3
	70°	514M7
METAL SLEEVE		
	0° (Straight)	594M0
	30°	594M3
	70°	594M7

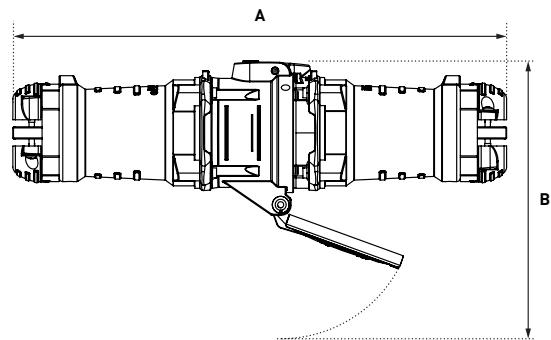
DRAWINGS AND DIMENSIONS

PLUG ON SOCKET-OUTLET



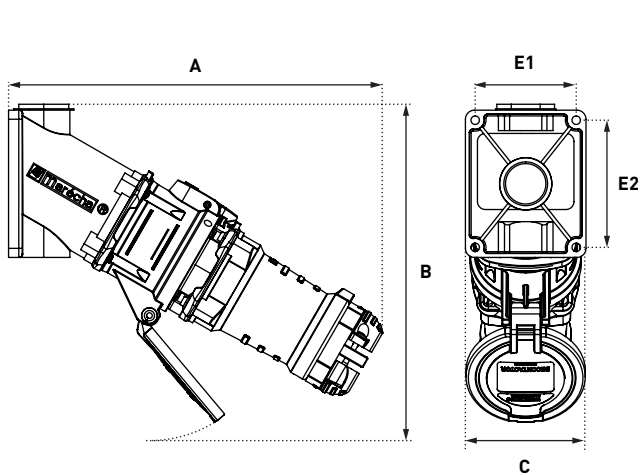
A	B	C
252	228	105

COUPLER



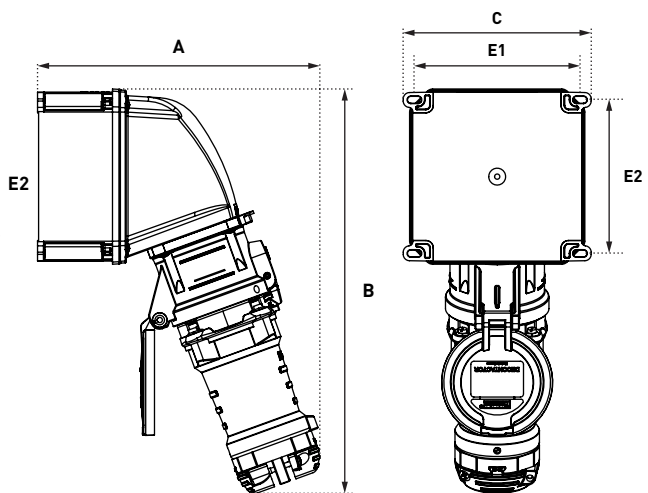
A	B
405	228

PLUG ON 30° WALL MOUNTED SOCKET OUTLET



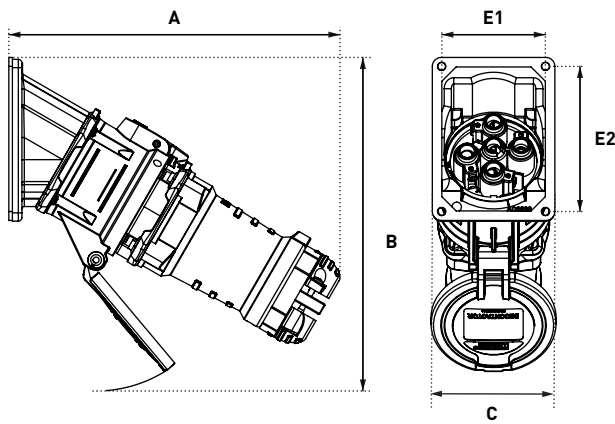
A	B	C	E1	E2
329	296	105	89	112

PLUG ON 70° WALL-MOUNTED SOCKET-OUTLET



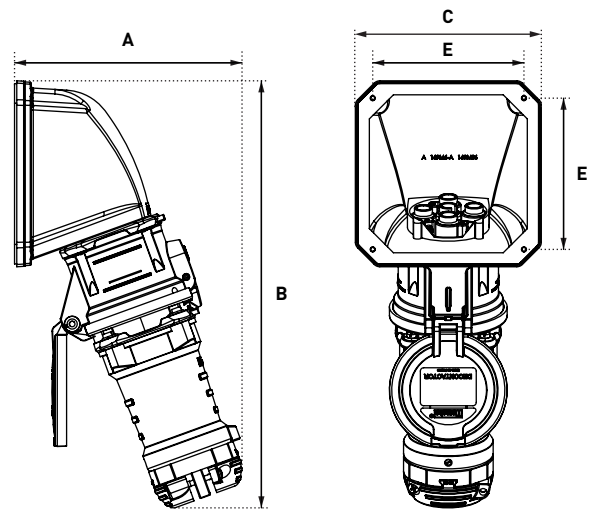
A	B	C	E1	E2
267	383	178	157	145

PLUG ON 30° INCLINED SOCKET-OUTLET



A	B	C	E1	E2
278	280	105	87	122

PLUG ON 70° INCLINED SOCKET-OUTLET



A	B	C	E
203	381	166	135



90 A

1 000 V
U MAXI

DECONTACTOR™ DS6 METAL



IP66
IP67



10-25 mm² (1)
10-35 mm² (2)



METAL



IK09



-40 °C
+60 °C



AC-22
AC-23



60309-1
60309-4
60947-3



4 AUX. (3)



EMC

(1) Flexible wiring (min.-max.).
(2) Stranded wiring (min.-max.).
(3) Flexible wiring : 2,2 mm².



Other configurations on request

GRP devices are not compatible with metal devices.

LOAD-BREAK CAPABILITY OF THE DECONTACTOR™

Comply with IEC/EN 60309-1 and IEC/EN 60309-4 standards	(90 A/690 V) or (63 A/1000 V)
Load-break capability according to IEC/EN 60947-3/AC-22	63 A/690 V
Load-break capability according to IEC/EN 60947-3/AC-23	90 A/400 V
Short-circuit current I _{cc}	10 kA
Power kW AC-22/AC-23	45 kW

SOCKET-
OUTLET female
DS6







INLET male
DS6







Dual-voltage
socket-outlet
(see p. 11)








220-250 V AC	1P+N+E	3964015	3968015
380-440 V AC	3P+E	3964013	3968013
220-250 V AC / 380-440 V AC	3P+N+E	3964017	3968017
660-690 V AC	3P+E	3964193	3968193
380-400 V AC / 660-690 V AC	3P+N+E	3964197	3968197
1 000 V AC	3P+E	3964223	3968223
Auxiliaries 5 A/500 V AC	+ 2 contacts	Ref. + 972	Ref. + 972
Auxiliaries 5 A/500 V AC	+ 4 contacts	Ref. + 264	Ref. + 264

- ▶ Other currents, voltages, frequencies and contact configurations are available (see page 14).
- ▶ Existing version for 100A is available, order Reference +228.

OPTIONS	Reference
LOCKING PIN FOR 2 PADLOCKS Ø 4 TO 8 mm (PADLOCKS NOT SUPPLIED)	
 Socket-outlet ref. +843	
SAFETY HASP FOR UP TO 6 PADLOCKS	
 399A541	
LARGER RELEASE BUTTON	
 Ref. socket +453	
INLET CAP IP66/IP67	
 316A426	
IN-LINE CONNECTIONS (A PAIR OF FINGER DRAW PLATES TO AID CLOSING)	
 316A346	
IP40 SELF RETURNING LID (MANUAL CLOSING)	
 Ref. socket + R	
IP55 METAL LOCKABLE SELF-CLOSING LID FOR INLET	
 396A226	
ELECTROMAGNETIC COMPATIBILITY (EMC) ● NEW	
 Please order a metal threaded accessory herewith, together with a EMC cable gland to be found on page 318.	
SELF-EJECTION	
 See page 192	

HANDLE	Input/Cable outer Ø	Reference	Self-ejection
ELASTOMER HANDLE WITH GLAND			
	18-25 mm	554P0D25L	Ref. +443
	25-35 mm	554P0D35L	Ref. +443
	35-45 mm	554P0D45L	Ref. +443
	45-49 mm	554P0D49L	Ref. +443

SLEEVE	∠ X°	Reference	
		POLY	METAL ●
	0° (Straight)	/	594M0
	30°	514M3	594M3
	70°	514M7	594M7

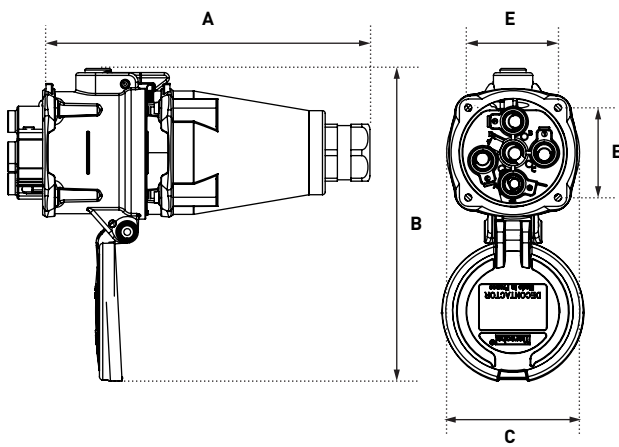
BOXES	∠ X°	Input	Reference
POLY BOX			
	30°	M32	514B3M32
	30°	M40	514B3M40
METAL BOX (+ EARTHING WIRE) ●			
	20°	M25	594B2M25
	20°	M32	594B2M32
	20°	M40	594B2M40
POLY BOX + POLY SLEEVE			
	70°	Without hole	514C7000
	70°	Ø 32 mm drill hole	514C7M32
Earth bar ref. : 51AA089	70°	Ø 40 mm drill hole	514C7M40
METAL BOX (+ EARTHING WIRE) + POLY SLEEVE			
	30°	M25	514C3M25
	30°	M32	514C3M32
	30°	M40	514C3M40
	30°	M50	514C3M50
METAL BOX (+ EARTHING WIRE) + METAL SLEEVE ●			
	30°	M25	594C3M25
	30°	M32	594C3M32
	30°	M40	594C3M40
	30°	M50	594C3M50
	0° (Straight)	M25	594C0M25
	0° (Straight)	M32	594C0M32
	0° (Straight)	M40	594C0M40
	0° (Straight)	M50	594C0M50
	70°	M25	594C7M25
	70°	M32	594C7M32
	70°	M40	594C7M40
	70°	M50	594C7M50

Cable glands are not delivered with the boxes.

HANDLE	Input/Cable outer Ø	Reference	Self-ejection
POLY HANDLE WITH GLAND			
	13-35 mm	514P0D35	/
POLY HANDLE + POLY CABLE GLAND			
	14-25 mm	514P032P	Ref. +443
	18-32 mm	514P040P	Ref. +443
	24-38 mm	514P050P	Ref. +443
POLY HANDLE (WITHOUT CABLE GLAND)			
	M32	514P0M32	Ref. +443
	M40	514P0M40	Ref. +443
	M50	514P0M50	/
METAL HANDLE + METAL CABLE GLAND (+ EARTHING WIRE) ●			
	8-16 mm	594P025M	/
	16-24 mm	594P032M	/
	22-32 mm	594P040M	/
	34-44 mm	594P050M	/
METAL HANDLE METRIC THREAD ENTRY (WITHOUT CABLE GLAND) ●			
	M25	594P0M25	/
	M32	594P0M32	/
	M40	594P0M40	/
	M50	594P0M50	/

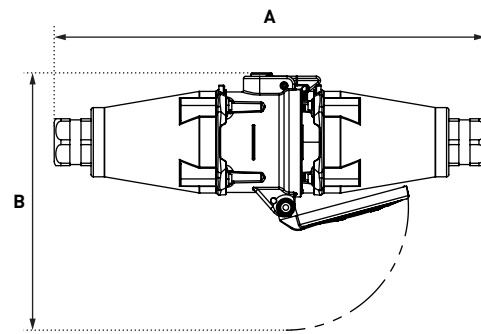
DRAWINGS AND DIMENSIONS

PLUG ON SOCKET-OUTLET



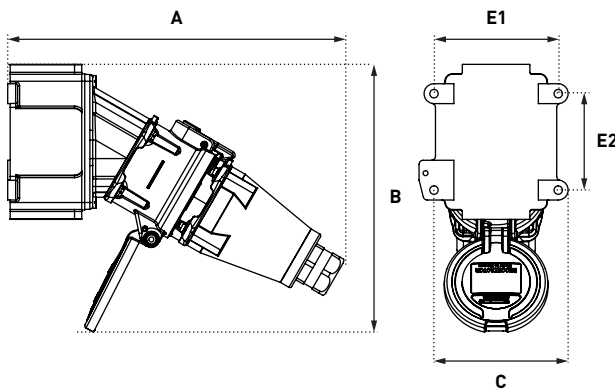
A	B	C	E
241	230	104	66

COUPLER



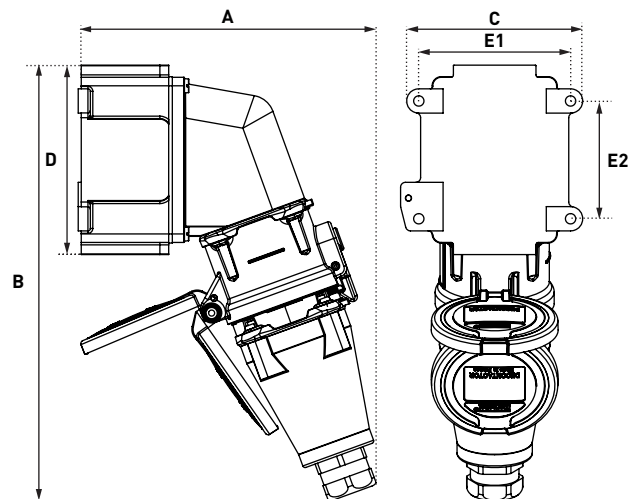
A	B
386	230

PLUG ON 30° WALL MOUNTED SOCKET OUTLET



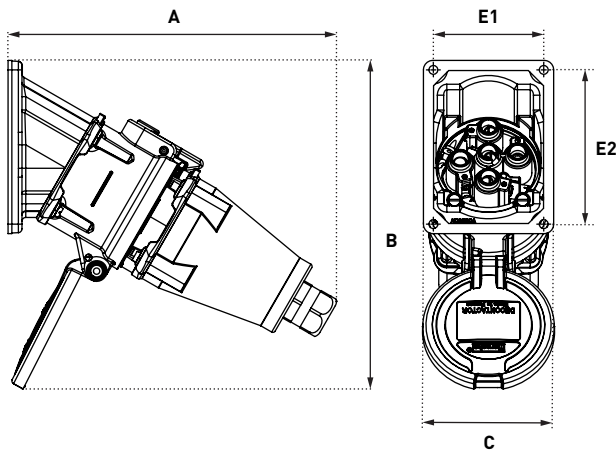
A	B	C	E1	E2
338	270	135	125	97

PLUG ON 70° WALL-MOUNTED SOCKET-OUTLET



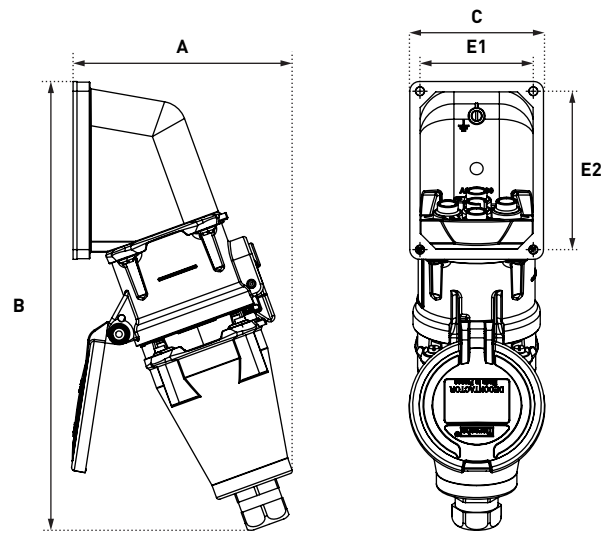
A	B	C	D	E1	E2
246	357	145	166	125	97

PLUG ON 30° INCLINED SOCKET-OUTLET



A	B	C	D	E1	E2
279	257	102	136	88	122

PLUG ON 70° INCLINED SOCKET-OUTLET



A	B	C	E1	E2
169	346	104	88	122



125 A

440 V

U MAXI

HIGH TEMPERATURE PLUG DSHT



150 °C



IP44



10-35 mm² (1)
10-50 mm² (2)



METAL



IK09



2 AUX.

(1) Flexible wiring (min.-max.).
(2) Stranded wiring (min.-max.).



**No breaking under
load**

**Other configurations
on request**

OTHER FEATURES

Pre-cabled auxiliaries - high-temperature cable

1.5 mm²

Earthing cable section

35 mm² max.






SOCKET-OUTLET
DSHT





INLET
DSHT

220-250 V AC	1P+N+E	3964H15	3968H15
380-440 V AC	3P+E	3964H13	3968H13
220-250 V AC 380-440 V AC	3P+N+E	3964H17	3968H17
Auxiliaries 5 A/500 V AC	+ 2 contacts	Ref. + 972	Ref. + 972

OPTIONS	Reference
LOCKING PIN FOR 2 PADLOCKS Ø 4 TO 8 mm (PADLOCKS NOT SUPPLIED)	
	Réf + 843

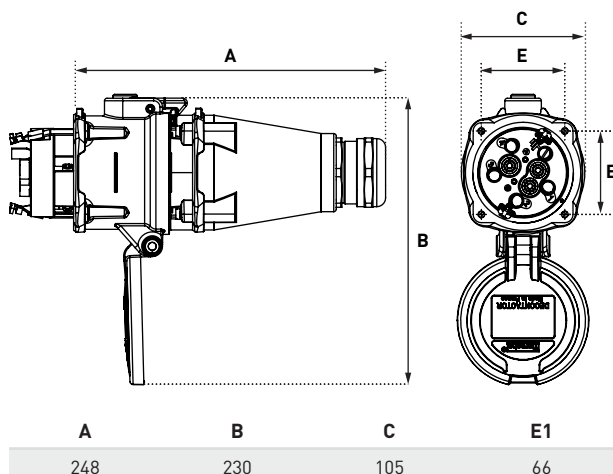
BOXES (WITHOUT CABLE GLAND)		Input	Reference
METAL BOX (+ EARTHING WIRE) + METAL SLEEVE			
	30°	M25	574C3M25185
	30°	M32	574C3M32185
	30°	M40	574C3M40185
	30°	M50	574C3M50185

HANDLE (WITHOUT CABLE GLAND)	Input	Reference
METAL HANDLE (+ EARTHING WIRE)		
	M25	574P0M25185
	M32	574P0M32185
	M40	574P0M40185
	M50	574P0M50185

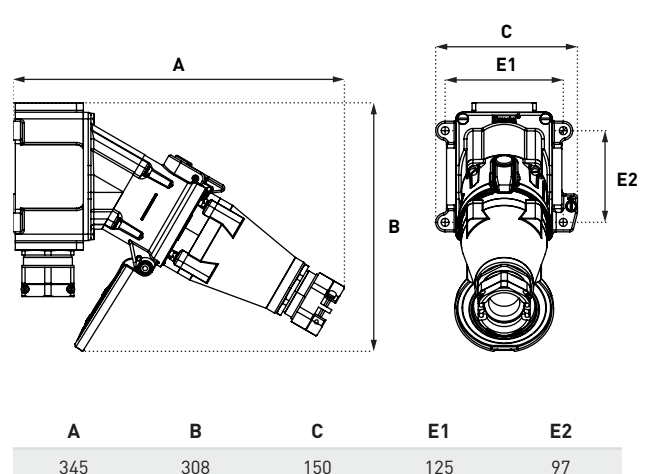
HIGH TEMPERATURE CABLE GLAND (IP2X)	Cable outer Ø	Input	Reference
	12,0 - 20,5 mm	M25	9PEM25BR
	18,0 - 27,8 mm	M32	9PEM32BR
	24,0 - 33,0 mm	M40	9PEM40BR
	33,0 - 42,0 mm	M50	9PEM50BR

DRAWINGS AND DIMENSIONS

PLUG ON SOCKET OUTLET



PLUG ON 30° WALL MOUNTED SOCKET OUTLET



150 A

1 000 V
U_{MAXI}

DECONTACTOR™ DS9 POLY



IP66
IP67
IP69



25-70 mm² (1)
25-95 mm² (2)



GRP



IK09



-40 °C
+60 °C



AC-22
AC-23



60309-1
60309-4
60947-3



6 AUX. (3)

(1) Flexible wiring (min.-max.).
(2) Stranded wiring (min.-max.).
(3) Flexible wiring : 2,5 mm².



Other configurations on request

GRP devices are not compatible with metal devices.



Each inlet should be connected to a wall box, a sleeve or a handle to ensure correct operation of the closing mechanism.

LOAD-BREAK CAPABILITY OF THE DECONTACTOR™

Comply with IEC/EN 60309-1 and IEC/EN 60309-4 standards	150 A/690 V
Load-break capability according to IEC/EN 60947-3/AC-22	(90 A/690 V) or (150 A/600 V)
Load-break capability according to IEC/EN 60947-3/AC-23	100 A/440 V
Short-circuit current I _{cc}	10 kA
Power kW AC-22/AC-23	80 kW

SOCKET-OUTLET
female
DS9








INLET male
DS9





380-440 V AC	3P+E	3194013	3198013
220-250 V AC 380-440 V AC	3P+N+E	3194017	3198017
660-690 V AC	3P+E	3194193	3198193
380-400 V AC 660-690 V AC	3P+N+E	3194197	3198197
1 000 V AC*	3P+E	3194223	3198223
Auxiliaries 10 A/400 V AC	+ 2 contacts	Ref. + 262	Ref. + 262
Auxiliaries 10 A/400 V AC	+ 4 contacts	Ref. + 264	Ref. + 264
Auxiliaries 10 A/400 V AC	+ 6 contacts	Ref. + 976	Ref. + 976


► Other currents, voltages, frequencies and contact configurations are available (see page 14).


* Switch rating up to 125 A.


OPTIONS	Reference
LOCKING PIN FOR 2 PADLOCKS Ø 4 TO 8 mm (PADLOCKS NOT SUPPLIED)	
	Socket-outlet ref. +843
SAFETY HASP FOR UP TO 6 PADLOCKS	
	399A541
LARGER RELEASE BUTTON	
	Ref. socket +453
INLET CAP IP66/IP67	
	319A426
IP40 SELF RETURNING LID (MANUAL CLOSING)	
	Socket-outlet ref.+R


HANDLE	Input/ Cable outer Ø	Reference	Self-ejection
ELASTOMER HANDLE WITH GLAND			
	18-25 mm	555P0D25	Ref. +443
	25-35 mm	555P0D35	Ref. +443
	35-45 mm	555P0D45	Ref. +443
	45-49 mm	555P0D49	Ref. +443

POLY HANDLE + POLY CABLE GLAND			
	14-25 mm	515P032P	Ref. +443
	18-32 mm	515P040P	Ref. +443
	24-38 mm	515P050P	Ref. +443
	35-48 mm	515P063P	/



POLY HANDLE (WITHOUT CABLE GLAND)			
	M50	515P0M50	/
	M63	515P0M63	/

METAL HANDLE WITH METAL GLAND (+ EARTHING WIRE)			
	16-24 mm	595P032M	/
	22-32 mm	595P040M	/
	34-44 mm	595P050M	/
	35-48 mm	595P063M	/





METAL HANDLE METRIC THREAD ENTRY (WITHOUT CABLE GLAND)			
	M32	595P0M32	/
	M40	595P0M40	/
	M50	595P0M50	/
	M63	595P0M63	/

BOXES	△ x°	Input	Reference
METAL BOX (+ EARTHING WIRE) + POLY SLEEVE			
	30°	M32	515C3M32
	30°	M40	515C3M40
	30°	M50	515C3M50
	30°	M63	515C3M63

METAL BOX (+ EARTHING WIRE) + METAL SLEEVE			
	30°	M32	595C3M32
	30°	M40	595C3M40
	30°	M50	595C3M50
	30°	M63	595C3M63
	0° (Straight)	M32	595C0M32
	0° (Straight)	M40	595C0M40
	0° (Straight)	M50	595C0M50
	0° (Straight)	M63	595C0M63
	70°	M32	595C7M32
	70°	M40	595C7M40
	70°	M50	595C7M50
	70°	M63	595C7M63

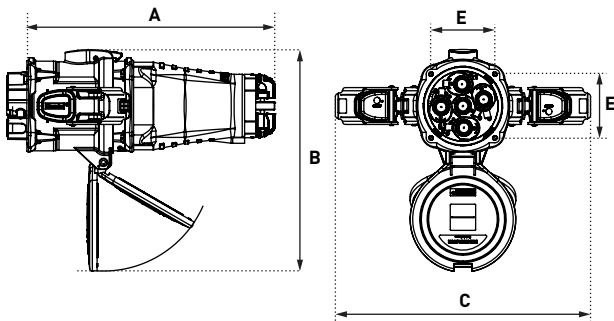
METAL BOX (+ EARTHING WIRE) + METAL SLEEVE + CORNET			
	0° (Straight)	M50	595E0M50
	30°	M50	595E3M50
	30°	M63	595E3M63
	70°	M50	595E7M50
	70°	M63	595E7M63

Cable glands are not delivered with the boxes.

SLEEVE	△ x°	Reference
POLY SLEEVE		
	30°	515M3
METAL SLEEVE		
	0° (Straight)	595M0
	30°	595M3
	70°	595M7

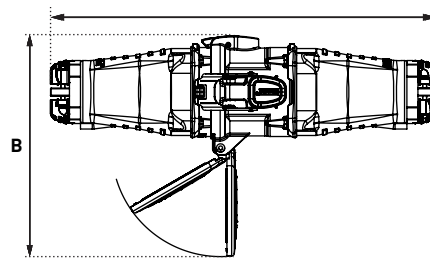
DRAWINGS AND DIMENSIONS

PLUG ON SOCKET-OUTLET



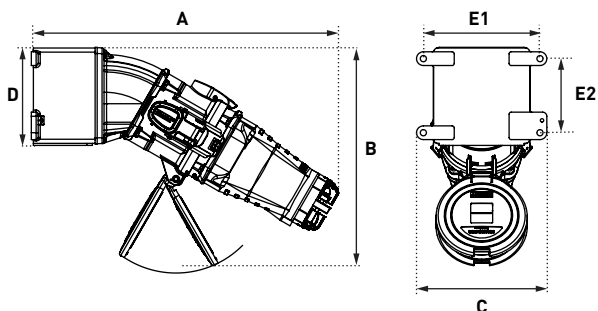
A	B	C	E
313	279	322	81

COUPLER



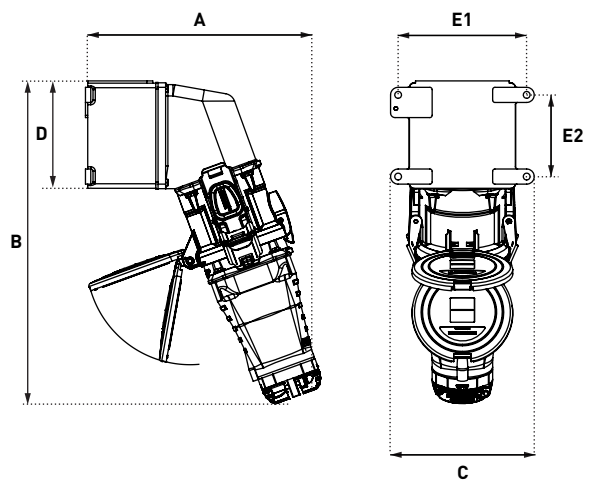
A	B
491	280

PLUG ON 30° WALL MOUNTED SOCKET OUTLET



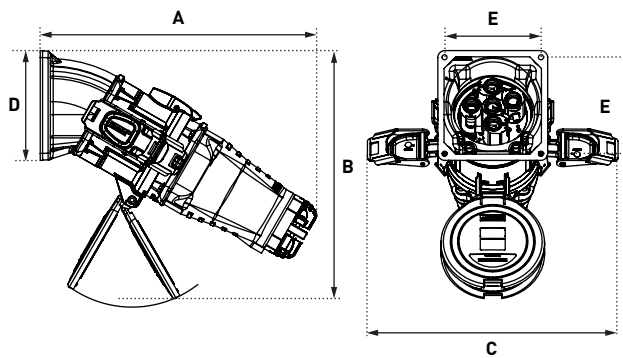
A	B	C	D	E1	E2
448	265	190	142	170	108

PLUG ON 70° WALL BOX MOUNTED SOCKET



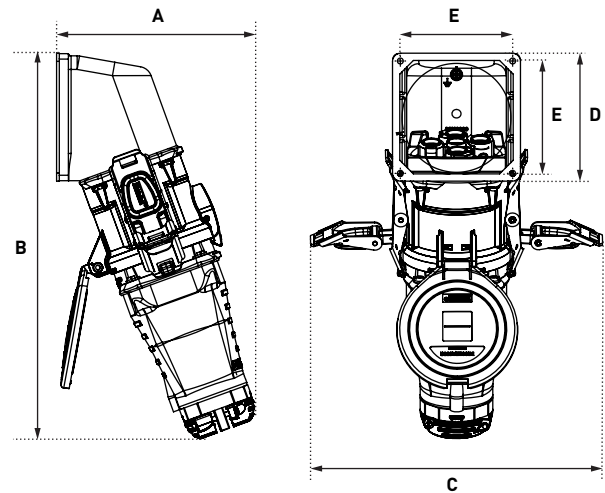
A	B	C	D	E1	E2
311	427	190	142	170	108

PLUG ON 30° INCLINED SOCKET-OUTLET

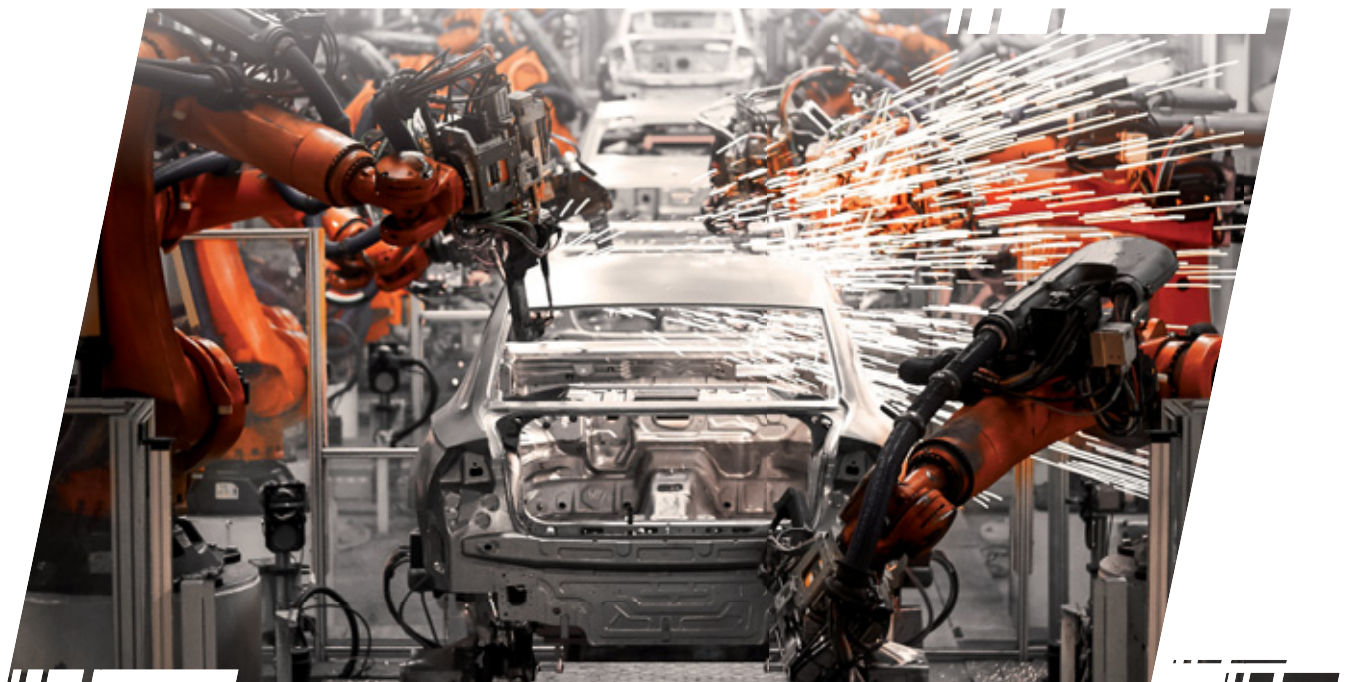


A	B	C	D	E
355	329	322	141	124

PLUG ON 70° INCLINED SOCKET-OUTLET



A	B	C	D	E
218	425	322	140	124



150 A

1 000 V U MAXI

DECONTACTOR™ DS9 METAL



IP66
IP67
IP69



25-70 mm² (1)
25-95 mm² (2)



METAL



IK10



-40 °C
+60 °C



AC-22
AC-23



60309-1
60309-4
60947-3



6 AUX. (3)



EMC

(1) Flexible wiring (min.-max.).
(2) Stranded wiring (min.-max.).
(3) Flexible wiring : 2,5 mm².



Other configurations on request

GRP devices are not compatible with metal devices.



Each inlet should be connected to a wall box, a sleeve or a handle to ensure correct operation of the closing mechanism.

LOAD-BREAK CAPABILITY OF THE DECONTACTOR™

Comply with IEC/EN 60309-1 and IEC/EN 60309-4 standards	150 A/690 V
Load-break capability according to IEC/EN 60947-3/AC-22	(90 A/690 V) or (150 A/600 V)
Load-break capability according to IEC/EN 60947-3/AC-23	100 A/440 V
Short-circuit current I _{cc}	10 kA
Power kW AC-22/AC-23	80 kW

SOCKET-OUTLET
female
DS9



INLET male
DS9








380-440 V AC	3P+E	3994013	3998013
220-250 V AC 380-440 V AC	3P+N+E	3994017	3998017
660-690 V AC	3P+E	3994193	3998193
380-400 V AC 660-690 V AC	3P+N+E	3994197	3998197
1 000 V AC*	3P+E	3994223	3998223
Auxiliaries 10 A/400 V AC	+ 2 contacts	Ref. + 262	Ref. + 262
Auxiliaries 10 A/400 V AC	+ 4 contacts	Ref. + 264	Ref. + 264
Auxiliaries 10 A/400 V AC	+ 6 contacts	Ref. + 976	Ref. + 976

► Other currents, voltages, frequencies and contact configurations are available (see page 14).

* Switch rating up to 125 A.

OPTIONS	Reference
LOCKING PIN FOR 2 PADLOCKS Ø 4 TO 8 mm (PADLOCKS NOT SUPPLIED)	
 Socket-outlet ref. +843	
SAFETY HASP FOR UP TO 6 PADLOCKS	
 399A541	
ALLEN-SCREW LOCKING LATCH	
Direct latch locking, no padlocking option.	Ref. socket + 22
INLET CAP IP66/IP67	
 319A426	
IP40 SELF RETURNING LID (MANUAL CLOSING)	
 Socket-outlet ref.+R	
ELECTROMAGNETIC COMPATIBILITY (EMC) ● NEW	
	Please order a metal threaded accessory herewith, together with a EMC cable gland to be found on page 318.

HANDLE	Input/ Cable outer Ø	Reference
ELASTOMER HANDLE WITH GLAND		
	18-25 mm	555P0D25
	25-35 mm	555P0D35
	35-45 mm	555P0D45
	45-49 mm	555P0D49
POLY HANDLE + POLY CABLE GLAND		
	14-25 mm	515P032P
	18-32 mm	515P040P
	24-38 mm	515P050P
	35-48 mm	515P063P
POLY HANDLE (WITHOUT CABLE GLAND)		
	M50	515P0M50
	M63	515P0M63
METAL HANDLE WITH METAL GLAND (+ EARTHING WIRE)		
	16-24 mm	595P032M
	22-32 mm	595P040M
	34-44 mm	595P050M
	35-48 mm	595P063M
METAL HANDLE METRIC THREAD ENTRY (WITHOUT CABLE GLAND) ●		
	M32	595P0M32
	M40	595P0M40
	M50	595P0M50
	M63	595P0M63

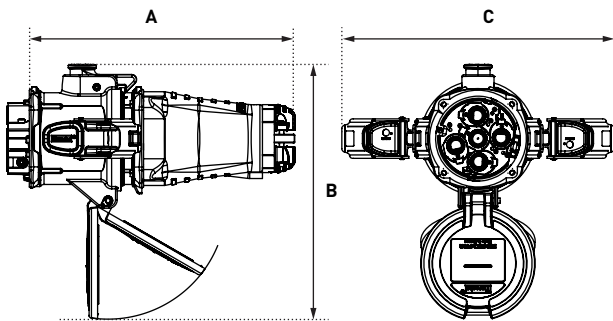
BOXES	△x°	Input	Reference	
METAL BOX (+ EARTHING WIRE) + POLY SLEEVE				
	30°	M32	515C3M32	
	30°	M40	515C3M40	
	30°	M50	515C3M50	
	30°	M63	515C3M63	
METAL BOX (+ EARTHING WIRE) + METAL SLEEVE ●				
	30°	M32	595C3M32	
	30°	M40	595C3M40	
	30°	M50	595C3M50	
	30°	M63	595C3M63	
	0° (Straight)	M32	595C0M32	
	0° (Straight)	M40	595C0M40	
	0° (Straight)	M50	595C0M50	
	0° (Straight)	M63	595C0M63	
	70°	M32	595C7M32	
	70°	M40	595C7M40	
	70°	M50	595C7M50	
	70°	M63	595C7M63	
	METAL BOX (+ EARTHING WIRE) + METAL SLEEVE + CORNET ●			
		0° (Straight)	M50	595E0M50
30°		M50	595E3M50	
30°		M63	595E3M63	
		70°	M50	595E7M50
		70°	M63	595E7M63

Cable glands are not delivered with the boxes.

SLEEVE	△x°	Reference	
POLY SLEEVE			
	30°	515M3	
METAL SLEEVE ●			
	0° (Straight)	595M0	
		30°	595M3
		70°	595M7

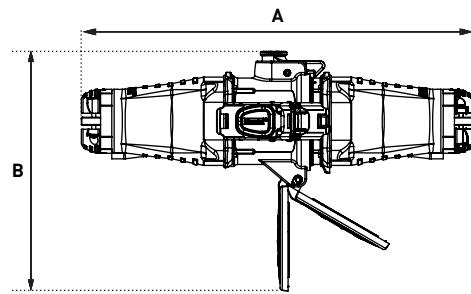
DRAWINGS AND DIMENSIONS

PLUG ON SOCKET-OUTLET



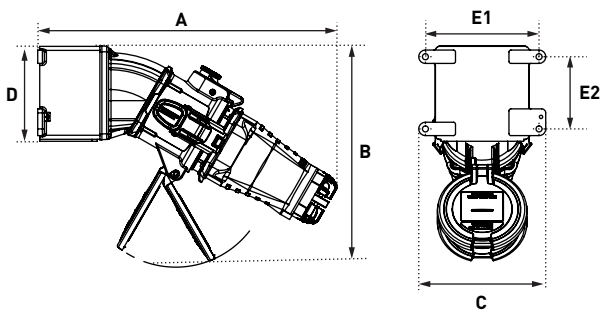
A	B	C
313	299	322

COUPLER



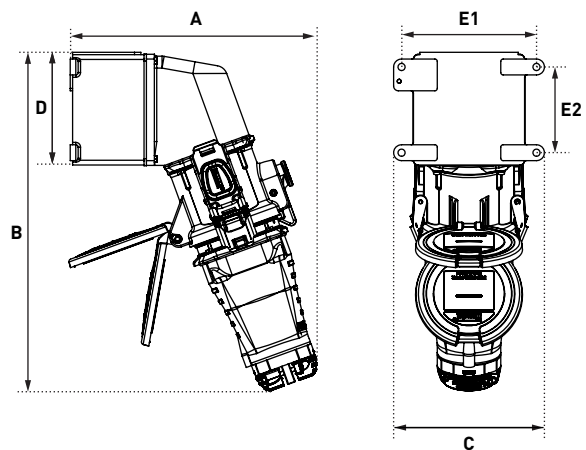
A	B
490	299

PLUG ON 30° WALL MOUNTED SOCKET OUTLET



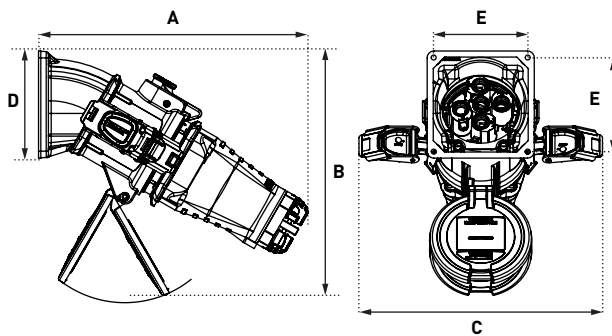
A	B	C	D	E1	E2
448	330	322	142	170	108

PLUG ON 70° WALL BOX MOUNTED SOCKET



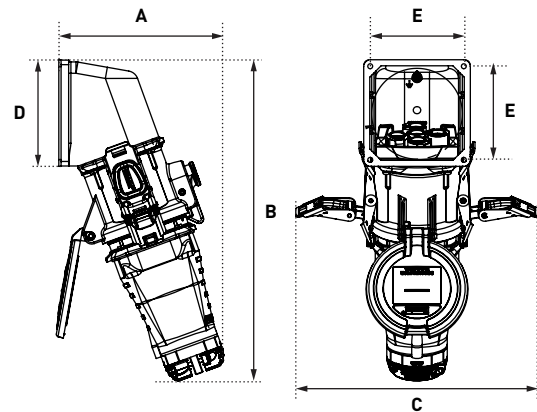
A	B	C	D	E1	E2
310	426	190	142	170	108

PLUG ON 30° INCLINED SOCKET-OUTLET



A	B	C	D	E
355	331	322	141	124

PLUG ON 70° INCLINED SOCKET-OUTLET



A	B	C	D	E
217	424	322	141	124



250 A 1 000 V

U_{MAXI}

DECONTACTOR™ DS2



IP66
IP67



70-95 mm² ⁽¹⁾
70-120 mm² ⁽²⁾



METAL



IK10



-40 °C
+60 °C



AC-22
AC-23



60309-1
60309-4
60947-3



6 AUX. ⁽³⁾



EMC

⁽¹⁾ Flexible wiring (min.-max.).
⁽²⁾ Stranded wiring (min.-max.).
⁽³⁾ Flexible wiring : 2,5 mm².

LOAD-BREAK CAPABILITY OF THE DECONTACTOR™

Comply with IEC/EN 60309-1 and IEC/EN 60309-4 standards	(250 A/500 V) or (200 A/690 V)
Load-break capability according to IEC/EN 60947-3/AC-22	(250 A/400 V) or (125 A/690 V)
Load-break capability according to IEC/EN 60947-3/AC-23	160 A/440 V
Short-circuit current I _{cc}	10 kA



Other configurations on request.



Each inlet should be connected to a wall box, a sleeve, a handle or a spacer to ensure correct operation of the closing mechanism.

SOCKET-OUTLET
female
DS2



INLET male
DS2

















380-440 V AC	3P+E	3924013	3928013
220-250 V AC 380-440 V AC	3P+N+E	3924017	3928017
660-690 V AC	3P+E	3924193	3928193
380-400 V AC 660-690 V AC	3P+N+E	3924197	3928197
1 000 V AC**	3P+E	3924223	3928223
Auxiliaries 5 A/400 V AC	+ 2 contacts	Ref. + 972	Ref. + 972
Auxiliaries 5 A/400 V AC	+ 4 contacts*	Ref. + 174	Ref. + 174
Auxiliaries 5 A/400 V AC	+ 6 contacts*	Ref. + 976	Ref. + 976



► Other currents, voltages, frequencies and contact configurations are available (see page 14).

* These versions cannot be ordered with neutral.








** Switch rating up to 150 A.

OPTIONS	Section de câblage	Reference
LOCKING PIN FOR 2 PADLOCKS Ø 4 TO 8 mm (PADLOCKS NOT SUPPLIED)		
		Socket-outlet ref. +843
SAFETY HASP FOR UP TO 6 PADLOCKS		
		399A541
ALLEN-SCREW LOCKING LATCH		
Direct latch locking, no padlocking option.		Ref. socket + 22
INLET CAP IP66/IP67		
		392A426
IP40 SELF RETURNING LID (MANUAL CLOSING)		
		Socket-outlet ref.+R
ELECTROMAGNETIC COMPATIBILITY (EMC) ● NEW		
	Please order a metal threaded accessory herewith, together with a EMC cable gland to be found on page 318.	
CABLE AMPLIFIER LUGS		
	Flexible 120 mm ² Stranded 150 mm ²	392A277150
	Flexible 150 mm ² Stranded 185 mm ²	392A277185
INCOMPATIBILITY ●		
	Those products marked with a red dot are incompatible with for use with amplifier ends.	
SPACERS (BETWEEN THE WALL BOX OR PANEL)		
	Depth 68 mm	5K7M0-68
	Depth 115 mm	5K7M0-115
PADLOCKING/ELECTRO-MECHANICAL INTERLOCKING		
	Socket-outlet reference+MIL. Check out the details on page 312	

SLEEVE	∠x°	Reference
METAL SLEEVE ●		
	0° (Straight)	596M0
	60°	596M6
	60°	597M6

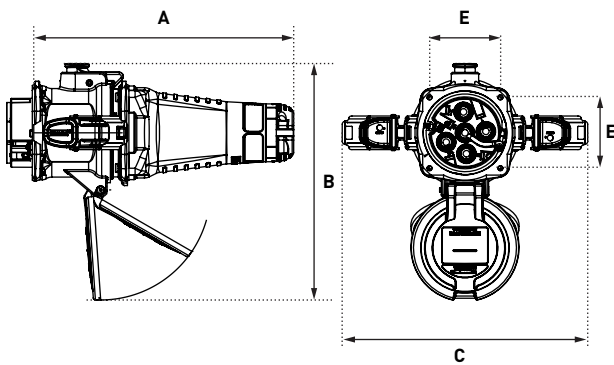
BOXES	∠x°	Input	Reference
METAL BOX (+ EARTHING WIRE) + METAL SLEEVE + CORNET ●●			
	60°	M50	596E6M50
	60°	M63	596E6M63
	60°	M75	596E6M75
METAL BOX (+ EARTHING WIRE) + METAL SLEEVE + CORNET ●			
	60°	M63	597E6M63
	60°	M75	597E6M75

Cable glands are not delivered with the boxes.

HANDLE	Input/ Cable outer Ø	Reference
ELASTOMER HANDLE WITH GLAND		
	25-35 mm	556P0D35
	35-45 mm	556P0D45
	45-49 mm	556P0D49
POLY HANDLE + POLY CABLE GLAND		
	35-48 mm	516P063P
POLY HANDLE (WITHOUT CABLE GLAND)		
	M63	516P0M63
	M75	516P0M75
METAL HANDLE WITH INTEGRATED CABLE CLAMP		
	40-50 mm	5K6P0D50
	51-60 mm	5K6P0D60
	61-70 mm	5K6P0D70
	71-80 mm	5K6P0D80
	81-90 mm	5K6P0D90
METAL HANDLE METRIC THREAD ENTRY (WITHOUT CABLE GLAND) ●●		
	M50	596P0M50
	M63	596P0M63
	M75	596P0M75
METAL HANDLE METRIC THREAD ENTRY (WITHOUT CABLE GLAND) ●		
	M40	5K6P0M40L
	M50	5K6P0M50L
	M63	5K6P0M63L
	M75	5K6P0M75L
METAL HANDLE METRIC THREAD ENTRY (WITHOUT CABLE GLAND) - LARGE SIZE ●		
	M63	796P0M63
	M75	796P0M75

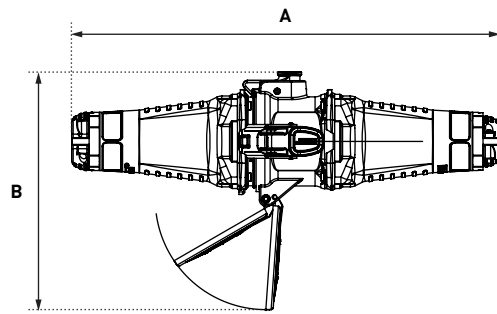
DRAWINGS AND DIMENSIONS

PLUG ON SOCKET-OUTLET



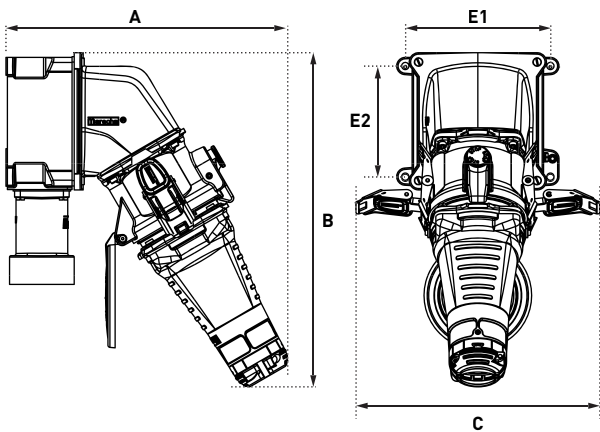
A	B	C	E
362	327	340	98

COUPLER



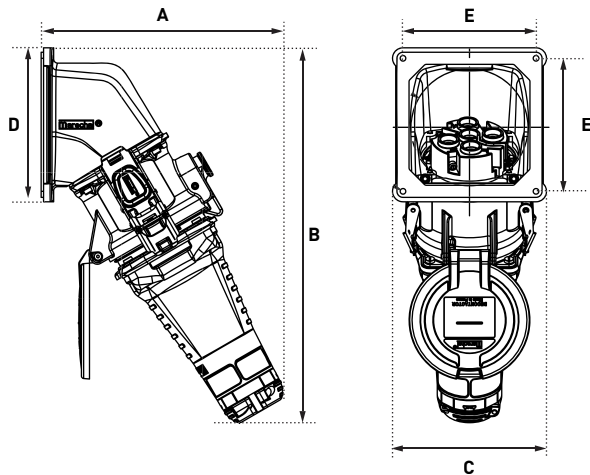
A	B
590	327

PLUG ON 60° WALL BOX MOUNTED SOCKET OUTLET



A	B	C	E1	E2
392	465	340	202	154

PLUG ON 60° INCLINED SOCKET OUTLET



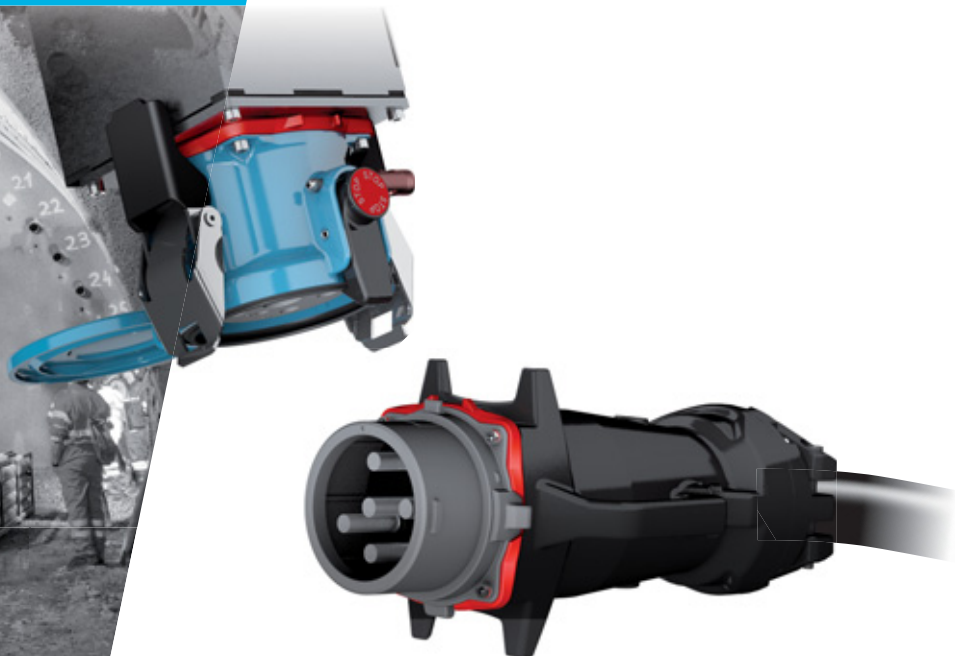
A	B	C	D	E
300	465	191	191	165



350 A 1 000 V

U_{MAXI}

INDUSTRIAL SOCKET OUTLET DS2



IP66
IP67



95 mm² ⁽¹⁾
95-120 mm² ⁽²⁾



METAL



IK10



-40 °C
+60 °C



2 PIL



EMC

⁽¹⁾ Flexible wiring (min.-max.).
⁽²⁾ Stranded wiring (min.-max.).



Padlocking system is standard.

OTHER FEATURES

Pilot wiring 2,5 mm²

* See our cable AMPLIFIER lugs for sections bigger than 95 mm² (flexible) or 120 mm² (stranded).



Each socket-outlet and each inlet should be connected to a wall box, a sleeve, a handle or a spacer to ensure correct operation of the closing mechanism.

SOCKET-OUTLET
female
DS2













INLET male
DS2





220-250 V AC	380-440 V AC	3P+N+E+2 pilots	3924017240	3928017240
380-400 V AC	660-690 V AC	3P+N+E+2 pilots	3924197240	3928197240


► Other currents, voltages, frequencies are available (see page 14).


OPTIONS	Cable section	Reference
SAFETY HASP FOR UP TO 6 PADLOCKS		
		399A541
ALLEN-SCREW LOCKING LATCH		
Direct latch locking, no padlocking option.		Ref. socket + 22
INLET CAP IP66/IP67		
		392A426
IP40 SELF RETURNING LID (MANUAL CLOSING)		
		Socket-outlet ref.+R
ELECTROMAGNETIC COMPATIBILITY (EMC)		NEW
	Please order a metal threaded accessory herewith, together with a EMC cable gland to be found on page 318.	
CABLE AMPLIFIER LUGS		
	Flexible 120 mm ² Stranded 150 mm ²	392A277150
	Flexible 150 mm ² Stranded 185 mm ²	392A277185
SPACERS (BETWEEN THE WALL BOX OR PANEL)		
	Depth 68 mm	5K7M0-68
	Depth 115 mm	5K7M0-115
PADLOCKING/ELECTRO-MECHANICAL INTERLOCKING		
	Socket-outlet reference+MIL. Check out the details on page 312	


HANDLE	Cable outer Ø (min./max.)	Reference
METAL HANDLE WITH INTEGRATED CABLE CLAMP		
	40-50 mm	5K6P0D50
	51-60 mm	5K6P0D60
	61-70 mm	5K6P0D70
	71-80 mm	5K6P0D80
	81-90 mm	5K6P0D90

METAL HANDLE METRIC THREAD ENTRY (WITHOUT CABLE GLAND)		Reference
	M40	5K6P0M40L
	M50	5K6P0M50L
	M63	5K6P0M63L
	M75	5K6P0M75L

METAL HANDLE METRIC THREAD ENTRY (WITHOUT CABLE GLAND) - LARGE SIZE		Reference
	M63	796P0M63
	M75	796P0M75

SLEEVE	∠ x°	Reference
METAL SLEEVE		
	60°	597M6

BOXES	∠ x°	Cable outer Ø	Reference
METAL BOX (+ EARTHING WIRE) + METAL SLEEVE + CORNET			
	60°	M63	597E6M63
	60°	M75	597E6M75

STAINLESS STEEL (+ EARTHING WIRE) + METAL SLEEVE + METAL CABLE GLAND (+ EARTHING WIRE)			Reference
	70°	35-46 mm	577C763M
	70°	48-65 mm	577C775M

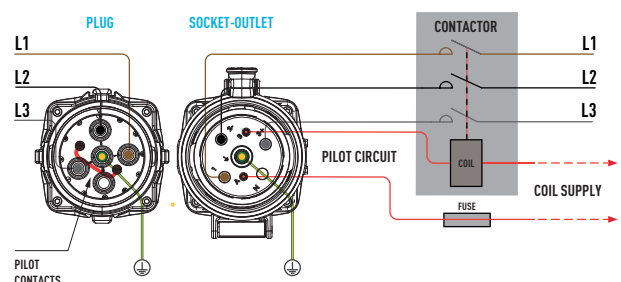
ELECTRICAL INTERLOCKING

At this level of power, it is not possible to break directly under load. Electrical interlocking with a switch or a pilot controlled contactor is required.

Boxes with the following equipment are available upon request:

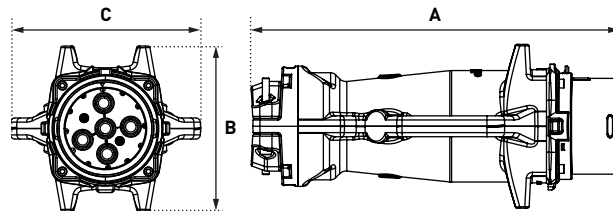
- circuit breaker or differential switch,
- contactor,
- fuses,
- loop-out enclosures,
- terminals for single pole cables...

TYPICAL WIRING DIAGRAM OF THE DS2 CONTROL CIRCUIT



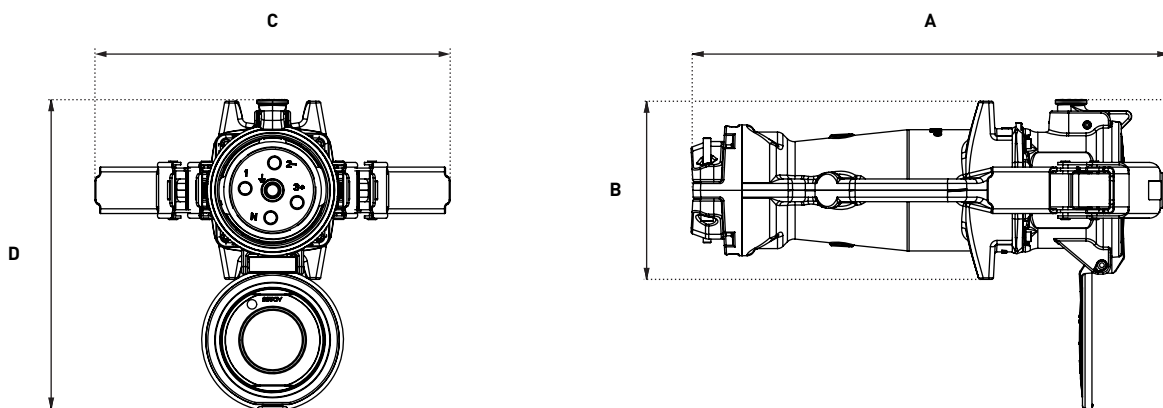
DRAWINGS AND DIMENSIONS

INLET



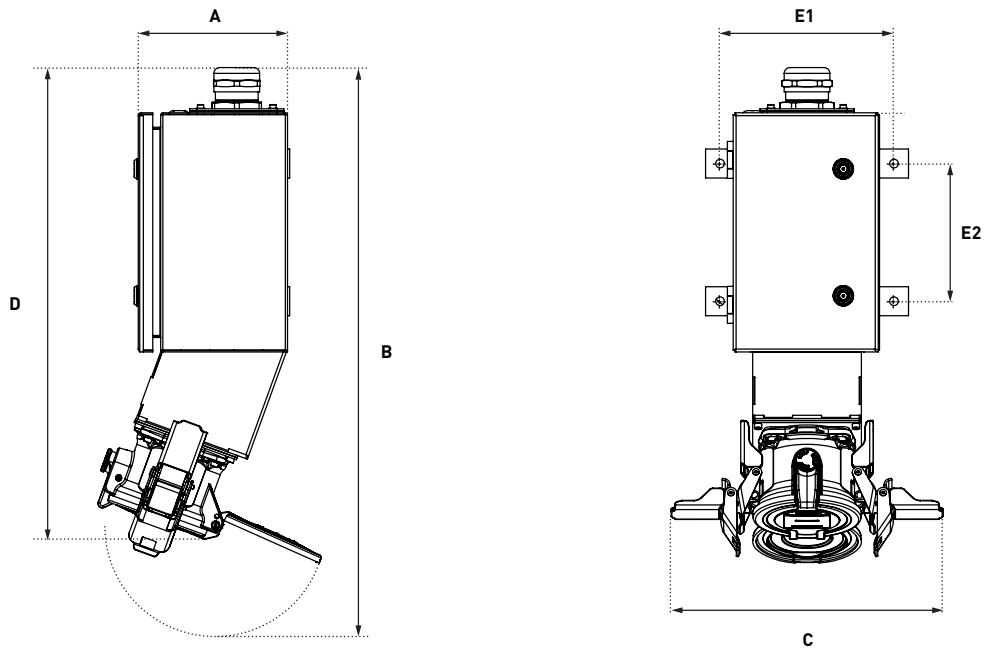
A	B	C
420	188	217

COUPLER SOCKET



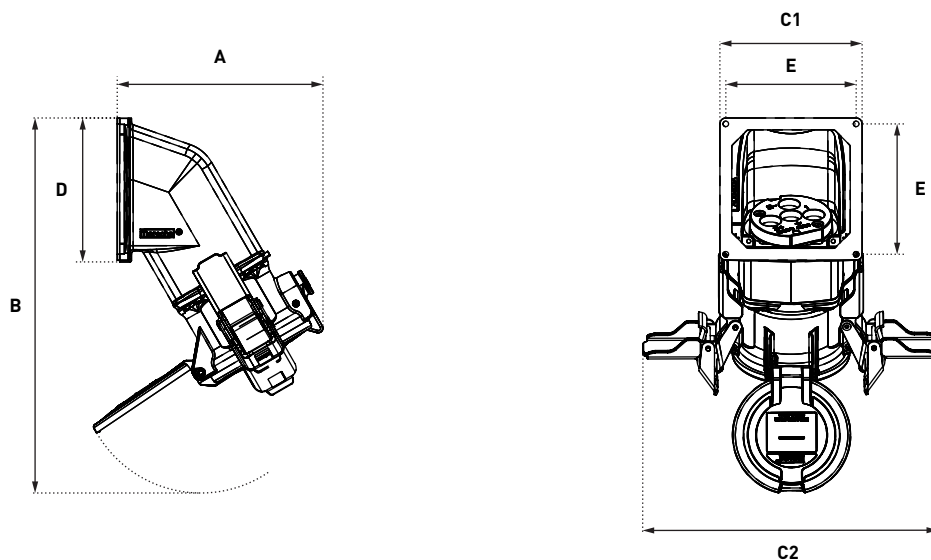
A	B	C	D
503	188	375	327

WALL BOX MOUNTED SOCKET-OUTLET 70°



A	B	C	D	E1	E2
206	784	375	651	240	190

PANEL MOUNTED SOCKET-OUTLET 60°



A	B	C1	C2	D	E
255	474	180	375	180	165

400 A $1\,000\text{ V}$

U_{MAXI}

INDUSTRIAL SOCKET-OUTLET DS4



IP66
IP67



95-150 mm² (1)
95-185 mm² (2)



METAL



IK10



-40 °C
+60 °C



2 PIL



EMC

(1) Flexible wiring (min.-max.).
(2) Stranded wiring (min.-max.).



Other cable sections:
please contact us

OTHER FEATURES

Mechanical interlock	standard
Inlet closing device in stainless steel	standard
Pilot contacts 5 A/400 V AC for electrical interlock	2
Auxiliaries wiring	2,5 mm ²



Each socket-outlet
and each inlet should be
connected to a wall box,
a sleeve, a handle or a
spacer to ensure correct
operation of the closing
mechanism.

SOCKET-OUTLET

female
DS4













INLET male
DS4





Compatible with
previous version using kit
394A396

380-440 V AC	3P+E+ 2 pilots	3944013	3948013
660-690 V AC	3P+E+ 2 pilots	3944193	3948193
1 000 V AC	3P+E+ 2 pilots	3944223	3948223

► Other currents, voltages, frequencies and contact configurations are available (see page 14).

OPTIONS	Cable section	Reference
LOCKING PIN FOR 2 PADLOCKS Ø 4 TO 8 mm (PADLOCKS NOT SUPPLIED)		
		Socket-outlet ref. +843
SAFETY HASP FOR UP TO 6 PADLOCKS		
		399A541
INLET CAP IP66/IP67		
		392A426
IP40 SELF RETURNING LID (MANUAL CLOSING)		
		Socket-outlet ref.+R
ELECTROMAGNETIC COMPATIBILITY (EMC) ● NEW		
	Please order a metal threaded accessory herewith, together with a EMC cable gland to be found on page 318.	
CABLE AMPLIFIER LUGS		
	Flexible 185 mm ² Stranded 240 mm ²	394A277-240
	Flexible 240 mm ² Stranded 300 mm ²	394A277-300
SPACERS (BETWEEN THE WALL BOX OR PANEL)		
	Depth 68 mm	5K7M0-68
	Depth 115 mm	5K7M0-115
PADLOCKING/ELECTRO-MECHANICAL INTERLOCKING		
	Socket-outlet reference+MIL. Check out the details on page 312	

SLEEVE		Reference
METAL SLEEVE ⁽¹⁾		
	60°	597M6


(1) For use with amplifier tips, it is necessary to use a spacer of 68 mm minimum.




ELECTRICAL INTERLOCKING

With such a current, disconnection under load is just not possible. Electrical interlocking with a switch or a pilot controlled contactor is required.

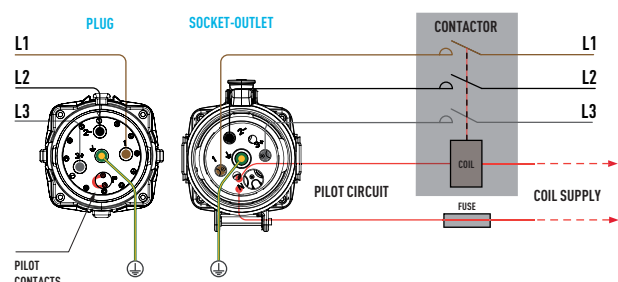
Note that we may customize the wall box with the following functions or devices:

- circuit breaker or differential switch,
- contactor,
- fuses,
- loop-in/loop-out configuration,
- Terminals fitted for single-pole cable use...

HANDLE	Cable outer Ø (min./max.)	Reference
METAL HANDLE WITH INTEGRATED CABLE CLAMP		
	40-50 mm	5K6P0D50
	51-60 mm	5K6P0D60
	61-70 mm	5K6P0D70
	71-80 mm	5K6P0D80
	81-90 mm	5K6P0D90
METAL HANDLE METRIC THREAD ENTRY (WITHOUT CABLE GLAND) ●		
	M40	5K6P0M40L
	M50	5K6P0M50L
	M63	5K6P0M63L
	M75	5K6P0M75L
METAL HANDLE METRIC THREAD ENTRY (WITHOUT CABLE GLAND) - LARGE SIZE ●		
	M63	796P0M63
	M75	796P0M75

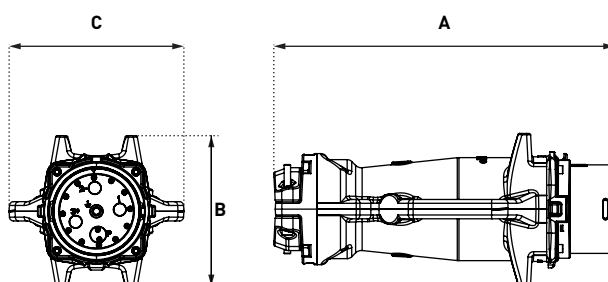
BOXES		Cable outer Ø	Reference
METAL BOX (+ EARTHING WIRE) + METAL SLEEVE + CORNET ⁽¹⁾			
	60°	M63	597E6M63
	60°	M75	597E6M75
STAINLESS STEEL (+ EARTHING WIRE) + METAL SLEEVE + METAL CABLE GLAND (+ EARTHING WIRE)			
	70°	35-46 mm	577C763M
	70°	48-65 mm	577C775M

TYPICAL WIRING DIAGRAM OF THE DS4 CONTROL CIRCUIT



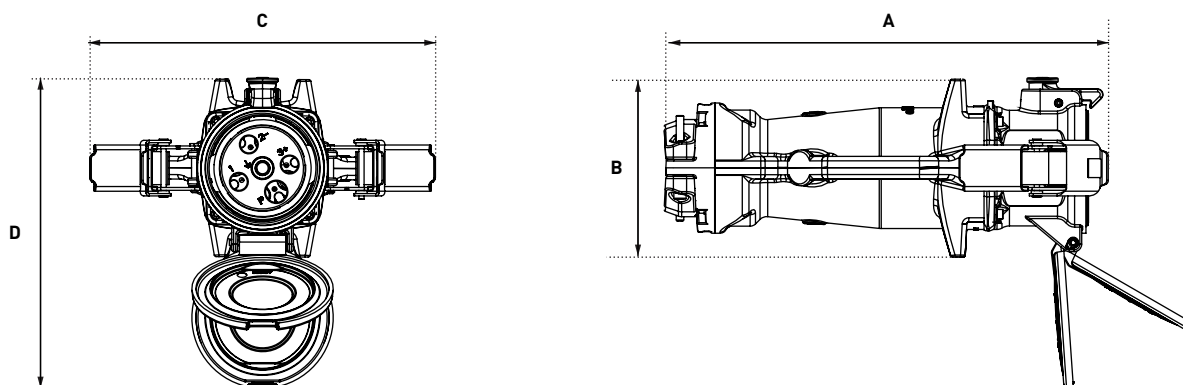
DRAWINGS AND DIMENSIONS

INLET



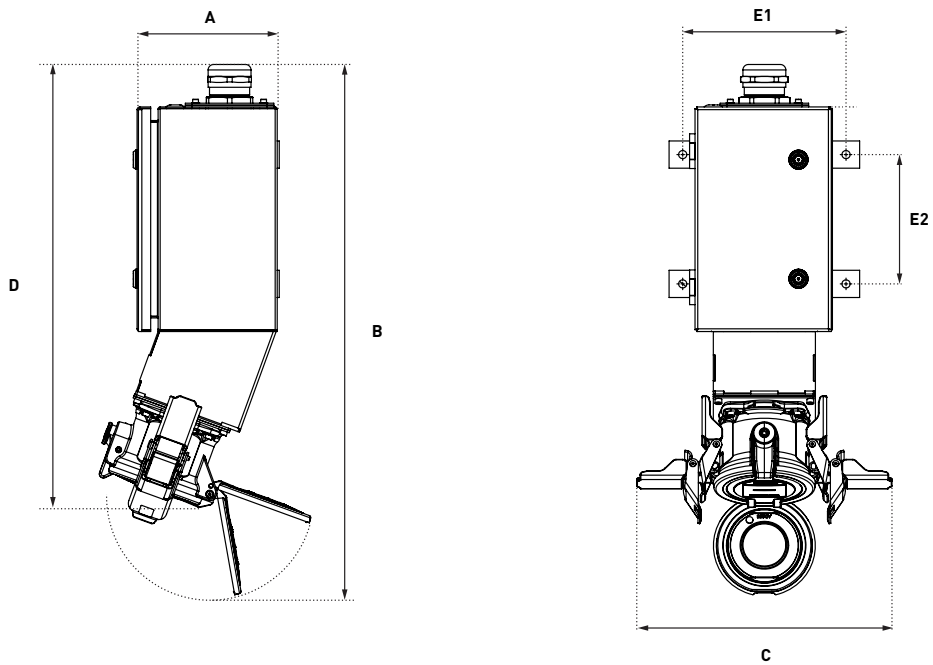
A	B	C
420	188	217

COUPLER SOCKET



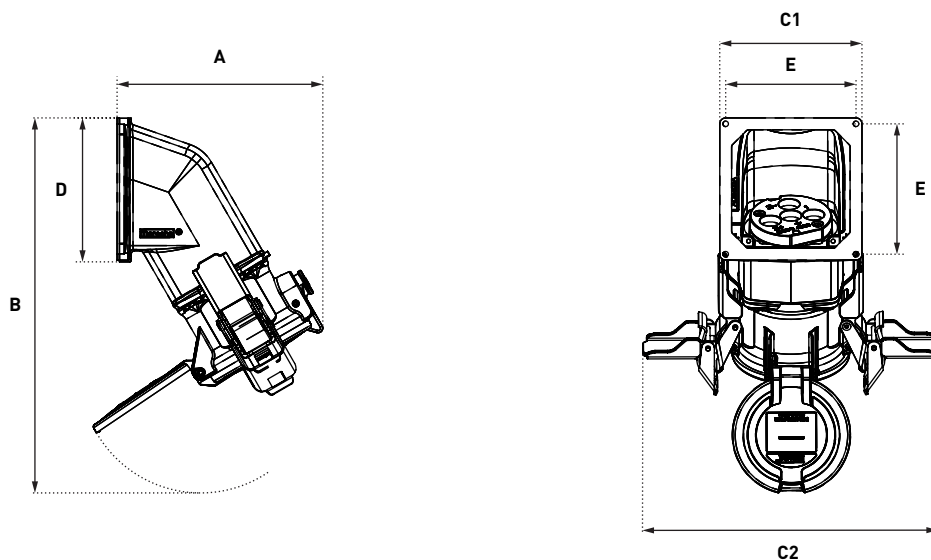
A	B	C	D
473	188	375	327

WALL BOX MOUNTED SOCKET-OUTLET 70°



A	B	C	D	E1	E2
206	784	375	651	240	190

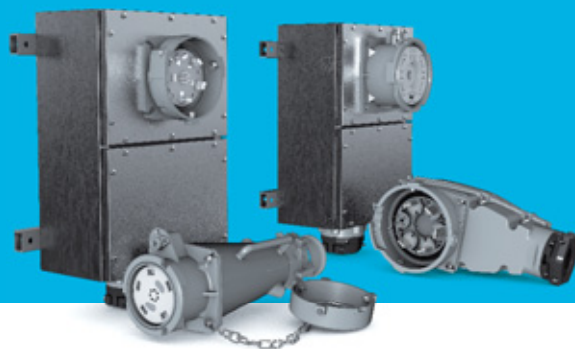
PANEL MOUNTED SOCKET-OUTLET 60°



A	B	C1	C2	D	E
255	474	180	375	180	165

400 A - 600 A

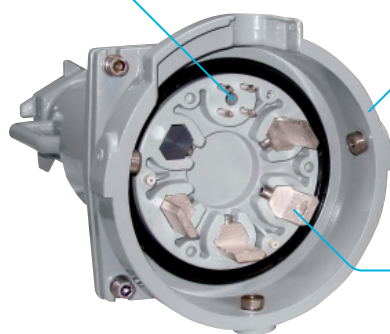
PF INDUSTRIAL PLUGS



MECHANICAL FEATURES

Pilot contacts : designed to connect after and disconnect before the phase contacts.

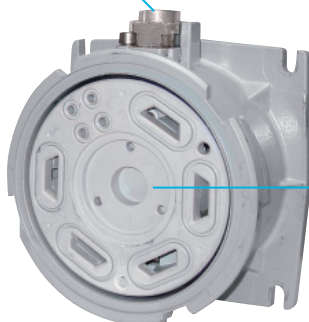
IK10 metal casing
excellent resistance to shocks.



Lateral spring-loaded silver butt-contacts
Silver is an excellent conductor and the plug engagement cleans contacts automatically.

Electromechanical interlocking mechanism

The locking mechanism guarantees safe and watertight connection and engages the pilot contacts.



Safety shutter
IP2X/IPXXB (PFC), IP4X/IPXXD (PFQ).

MECHANICAL AND ELECTRICAL LOCKING



Off load engagement



The male-female connection is automatically watertight.



Locking the plug in the socket closes the pilots and connects the main circuit.

PRESENTATION OF HIGH POWER INDUSTRIAL PLUG MOUNTING IS AVAILABLE ON OUR YOUTUBE CHANNEL

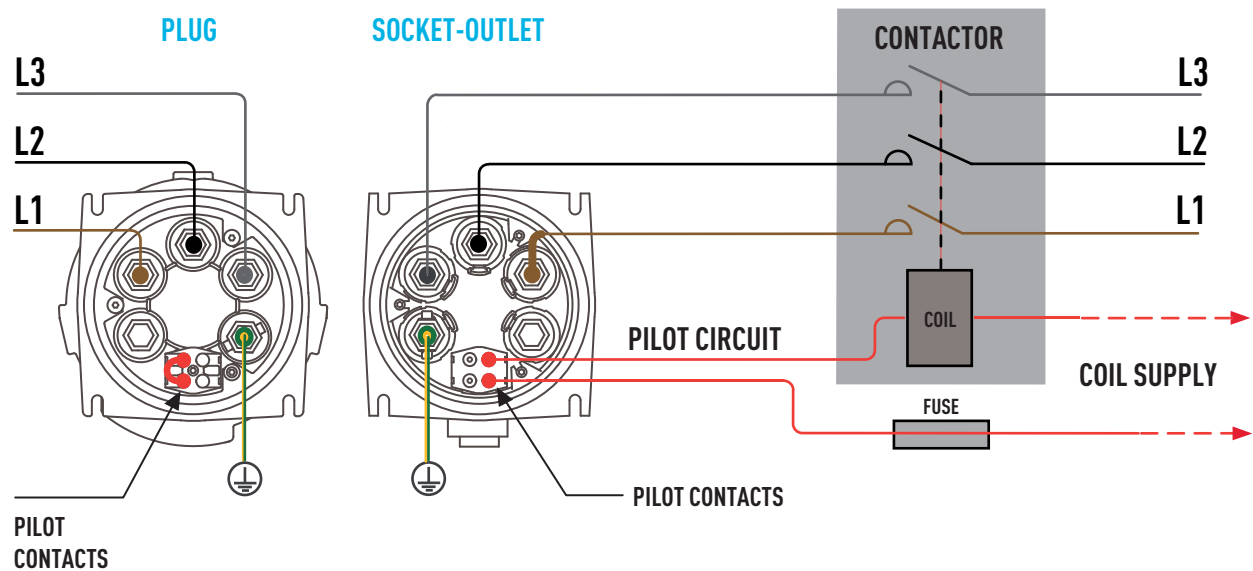


ELECTRICAL INTERLOCKING

At this level of power, it is not possible to directly disconnect under load. Electrical interlocking with a switch or a pilot controlled contactor is required. Boxes with the following equipment are available upon request:

- circuit breaker or differential switch,
- contactor,
- fuses,
- loop-out enclosures,
- terminals for single pole cables...

TYPICAL WIRING DIAGRAM OF THE PFC CONTROL CIRCUIT



PILOT CONTACTS		
	PFQ4	PFC6
Pilot contacts	2	2
Pilot Amperage	10 A/400 V AC	20 A/400 V AC
Interlocking Type	Mechanical	Mechanical
Terminal Type	Solder/crimp	Screw

Notes: The mechanical locking of the plug to the socket-outlet, via the rotation of a cam, closes the pilot contacts. Failure to use a pilot/relay system can create an electrical shock hazard.

400 A 690 V

U_{MAXI}

INDUSTRIAL PLUG PFQ4



IP66
IP67



95-240 mm² (1)
95-240 mm² (2)



METAL



IK10



-40 °C
+60 °C



6 AUX. +
2 PIL.

(1) Flexible wiring (min.-max.).
(2) Stranded wiring (min.-max.).

OTHER FEATURES

Junction through mono or multi conductors cables

Auxiliary contacts (10 A/400 V) 6

Pilot contacts (10 A/400 V) 2

Flexible wiring auxiliaries/pilots 1,5 mm²

SOCKET-OUTLET

female
PFQ4





INLET male
PFQ4




220-250 V AC	380-440 V AC	3P+N+E	4744017	4748017
380-400 V AC	660-690 V AC	3P+N+E	4744197	4748197


► Other currents, voltages, frequencies are available (see page 14).

BOXES STAINLESS STEEL 316L	Cable outer Ø	Reference
WIRING FROM 95 TO 150 mm² CABLE GLAND INCLUDED		
	40-50 mm	474A023050
	51-60 mm	474A023060
	61-70 mm	474A023070
	71-80 mm	474A023080
	81-90 mm	474A023090

BOXES STAINLESS STEEL 316L	Cable outer Ø	Reference
WIRING FROM 150 TO 240 mm² CABLE GLAND INCLUDED		
	40-50 mm	474A023550
	51-60 mm	474A023560
	61-70 mm	474A023570
	71-80 mm	474A023580
	81-90 mm	474A023590

On request: boxes for installation in ducts, boxes equipped with circuit breaker, earth-leakage switch, contactor,...

HANDLES	Cable outer Ø	Reference
STRAIGHT		
	46-50 mm	474A013-50
	51-55 mm	474A013-55
	56-60 mm	474A013-60
	61-65 mm	474A013-65
	66-70 mm	474A013-70
	71-75 mm	474A013-75
	76-80 mm	474A013-80
	81-85 mm	474A013-85
86-90 mm	474A013-90	

HANDLES	Cable outer Ø	Reference
ANGLED 90°		
	46-50 mm	474A913-50
	51-55 mm	474A913-55
	56-60 mm	474A913-60
	61-65 mm	474A913-65
	66-70 mm	474A913-70
	71-75 mm	474A913-75
	76-80 mm	474A913-80
	81-85 mm	474A913-85
86-90 mm	474A913-90	

INFOS +

STRAIGHT CONNECTION

use (Ø 12) straight cable lugs and sleeves






3 cable lugs are delivered as a standard

RIGHT ANGLE CONNECTION

Right angle connection using straight (Ø 12) cable lugs and insulation sleeves



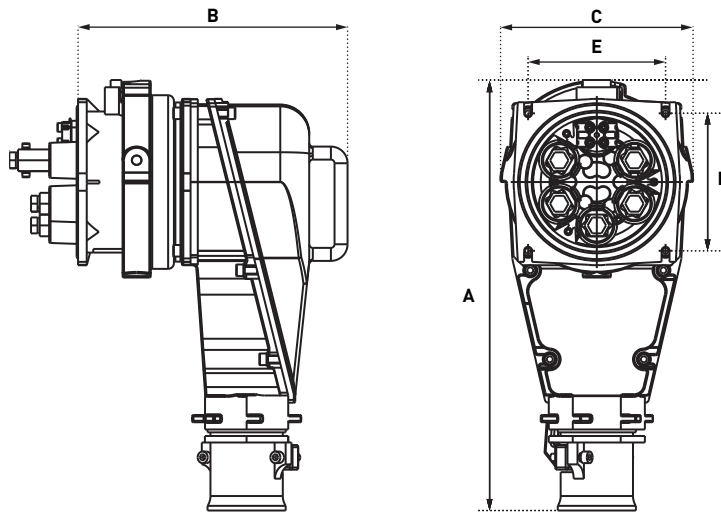
it is recommended to fit insulating sleeves to each lug.

ACCESSORIES AND OPTIONS	Reference
KEY FOR LOCKING AND OPERATING PILOT CONTACTS	
	473A393
INLET LID	
	474A126
M12 CONNECTION PIECE*	
	474A277

*Wiring with straight cable lugs with terminals.

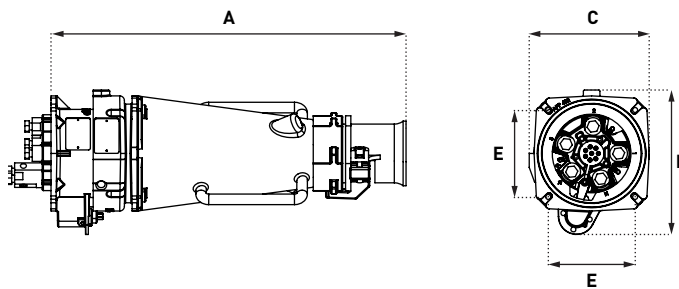
DRAWINGS AND DIMENSIONS

PLUG ON 90° ANGLED HANDLE ON SOCKET OUTLET



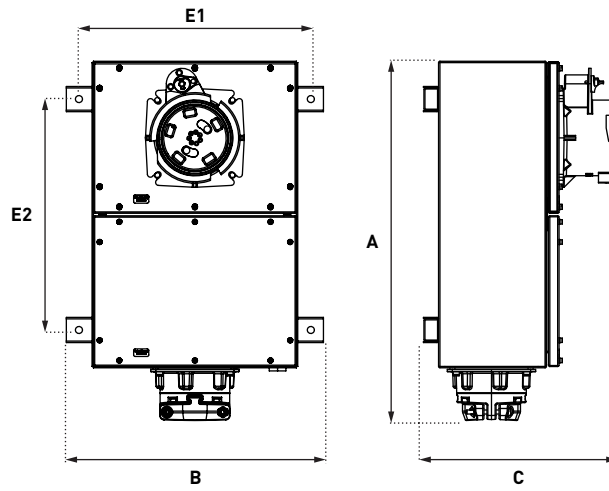
A	B	C	E
471	301	196	145

PLUG ON STRAIGHT HANDLE ON SOCKET OUTLET



A	B	C	E
605	246	204	148

SOCKET OUTLET ON WALL BOX



	A	B	C	E1	E2
95-150 mm ²	713	510	389	460	458
150-240 mm ²	1013	510	483	460	400/800



600 A $1\,000\text{ V}$

U_{MAXI}

INDUSTRIAL PLUG PFC6



IP66
IP67



95-240 mm² (1)
95-240 mm² (2)



METAL



IK10



-40 °C
+60 °C



2 AUX.
+2 PIL.

(1) Flexible wiring (min.-max.).
(2) Stranded wiring (min.-max.).

OTHER FEATURES

Junction through mono or multi conductors cables	
Auxiliary contacts (20 A/400 V)	2
Pilot contacts (20 A/400 V)	2
Flexible wiring auxiliaries/pilots	6 mm ²

SOCKET-OUTLET
female
PFC6





INLET male
PFC6




380-440 V AC	3P+E	4964013	4968013
220-250 V AC 380-440 V AC	3P+N+E	4964017	4968017
660-690 V AC	3P+E	4964193	4968193
380-400 V AC 660-690 V AC	3P+N+E	4964197	4968197
1000 V AC	3P+E	4964223	4968223


► Other currents, voltages, frequencies and contact configurations are available (see page 14).

BOXES STAINLESS STEEL 316L	Cable outer Ø	Reference
WIRING FROM 95 TO 150 mm² CABLE GLAND INCLUDED		
	40-50 mm	496A023050
	51-60 mm	496A023060
	61-70 mm	496A023070
	71-80 mm	496A023080
	81-90 mm	496A023090

BOXES STAINLESS STEEL 316L	Cable outer Ø	Reference
WIRING FROM 150 TO 240 mm² CABLE GLAND INCLUDED		
	40-50 mm	496A023550
	51-60 mm	496A023560
	61-70 mm	496A023570
	71-80 mm	496A023580
	81-90 mm	496A023590

On request: boxes for installation in ducts, boxes equipped with circuit breaker, earth-leakage switch, contactor,...

HANDLES	Cable outer Ø	Reference
STRAIGHT		
	46-50 mm	496A013-50
	51-55 mm	496A013-55
	56-60 mm	496A013-60
	61-65 mm	496A013-65
	66-70 mm	496A013-70
	71-75 mm	496A013-75
	76-80 mm	496A013-80
	81-85 mm	496A013-85
86-90 mm	496A013-90	

HANDLES	Cable outer Ø	Reference
ANGLED 90°		
	40-50 mm	496A913-50
	51-60 mm	496A913-60
	61-70 mm	496A913-70
	71-80 mm	496A913-80
	81-90 mm	496A913-90

INFOS +

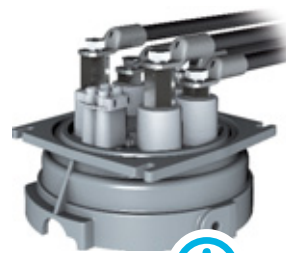
STRAIGHT CONNECTION

A right angled cable lug (Ø 14) with insulated sleeve.





RIGHT ANGLE CONNECTION

Straight cable lug (Ø 14) with insulated sleeve.

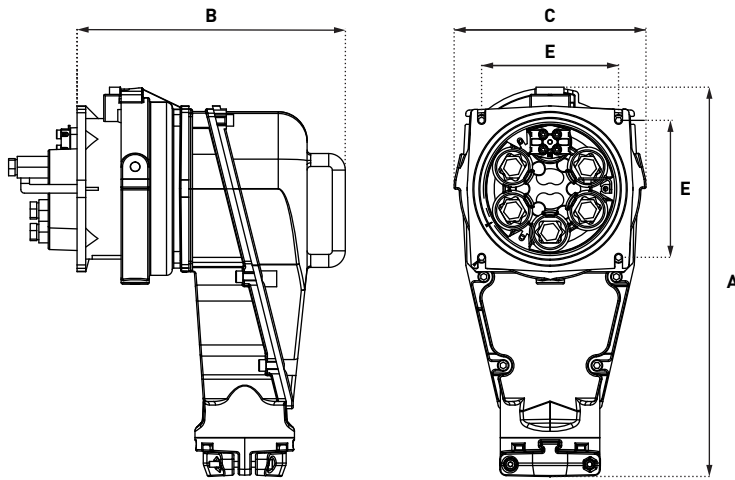


it is recommended to fit insulating sleeves to each lug.

ACCESSORIES AND OPTIONS	Reference
LOCKING KEY	
	496A393
INLET LID	
	496A126

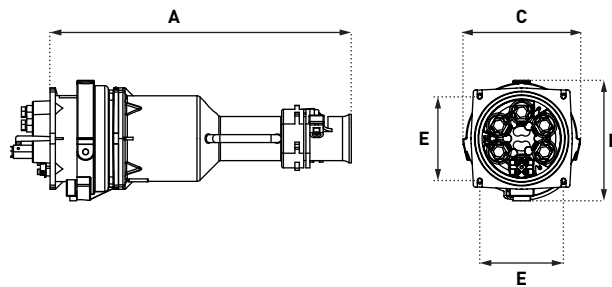
DRAWINGS AND DIMENSIONS

PLUG ON 90° ANGLED HANDLE ON SOCKET OUTLET



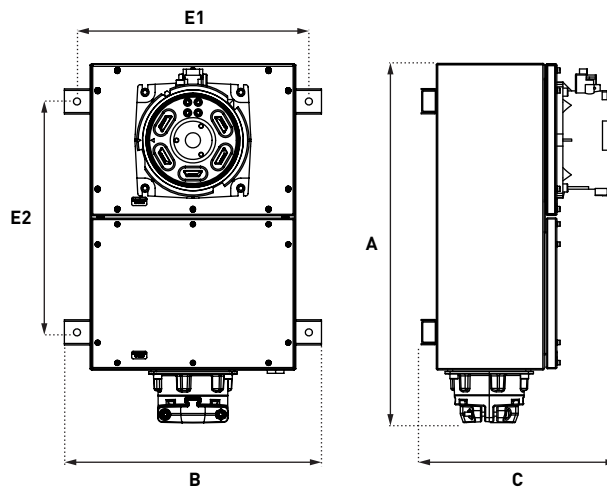
A	B	C	E
540	373	266	190

PLUG ON STRAIGHT HANDLE ON SOCKET OUTLET



A	B	C	E
683	273	266	190

SOCKET OUTLET ON WALL BOX



	A	B	C	E1	E2
95-150 mm ²	713	510	390	460	458
150-240 mm ²	1013	510	479	460	400/800



SINGLE POLE CONNECTORS

75 A » 250 A

CS

Bayonet contact system
Self-cleaning contacts
GRP casing

400 A

DSP400

IP66/IP67
GRP or metal casing

500 A

CS1000

IP66/IP67
Visual and mechanical coding
Padlocking ring
GRP casing



MODEL	CURRENT	U MAX AC	MAX. NUM. AUX./PIL.
CS2	150A	50 V (Extra LV)	/
CS3	250A	50 V (Extra LV)	/
DSP400	400 A	500 V	2 PIL.
CS1000	500 A	1 000 V	/
SP	750 A	1 000 V	2 PIL.
DSP1250	1250 A	1 000 V	2 PIL.

750 A

SP

IP66/IP67

Visual and mechanical coding

Electromechanical interlocking system

Overmoulded GRP on metal casing



1250 A

DSP1250

IP66/IP67

Metal casing



SINGLE POLE

DOWNLOAD ALL TECHNICAL SHEETS ON OUR
WEBSITE MARECHAL.COM

SELECTION GUIDE

MATERIAL	IP	IK	PAGE
POLY	NA	IK08	112
POLY	NA	IK08	112
POLY METAL	IP66/IP67	IK09	116
POLY	IP66/IP67	IK08	124
POLY	IP66/IP67	IK08	130
METAL	IP66/IP67	IK10	132

75 A → 250 A

50 V (EXTRA LV)
U MAXI

SINGLE POLE POWER CONNECTOR CS



See below



GRP



IK08



-20° C
+60° C

OTHER FEATURES

Type CS	Wire cross-section (mm ²)	In rated current (A)	I max welding cycle (A) (A)	
			60 %	30 %
CS2	16	75	100	150
	25	100	125	200
	35	125	150	250
	50	150	200	300
CS3	50	150	200	300
	70	200	250	350
	95	250	300	400

* Definition of 30% welding cycle: on a 5 min cycle, 30% of the time working (i.e. 1 min 30 s) and 70% off (i.e. 3 min 30 s).

INLET
male with lug



PLUG
male with lug



CS2

CS3

CS2

CS3

Wire cross-section (mm²)

16	4 2901 016		4 0201 016	
25	4 2901 030		4 0201 030	
35	4 2901 040		4 0201 040	
50	4 2901 050	4 3901 050	4 0201 050	4 0301 050
70		4 3901 075		4 0301 075
95		4 3901 100		4 0301 100
Screw type	4 2901 121	4 3901 121		

SOCKET-OUTLET
female with lug



COUPLER SOCKET
female with lug



CS2

CS3

CS2

CS3

Wire cross-section (mm²)

16	4 2401 016		4 2301 016	
25	4 2401 030		4 2301 030	
35	4 2401 040		4 2301 040	
50	4 2401 050	4 3401 050	4 2301 050	4 3301 050
70		4 3401 075		4 3301 075
95		4 3401 100		4 3301 100
Screw type	4 2401 121	4 3401 121		

ADDITIONAL COPPER LUGS

Lug choice depends on the cable : the cross-section of the flexible cable mentioned in the table below is for information only. Please check dimensions as these may vary according to cable types and manufacturers.



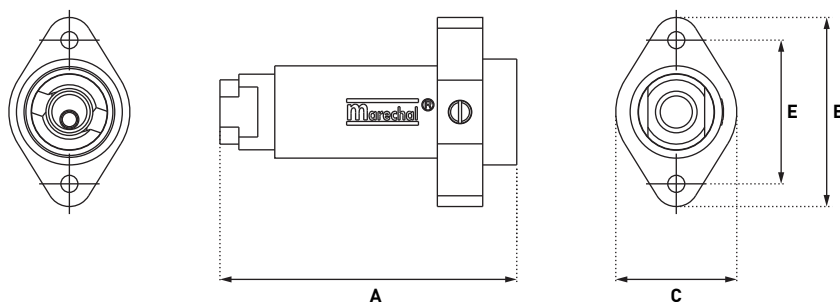
Wiring (mm ²)		Straight threaded M10*	Straight threaded M12*	Straight threaded M14*	Internal diameter (mm)	External diameter (mm)**
Flexible	Stranded	CS2	CS3 socket and coupler socket	CS3 connector and plug		
16	25	4 2301 416			6,6	9,5
25	35	4 2301 430			7,9	11
35	50	4 2301 440			9,2	12,5
50	70	4 2301 450	454A50D	4 3301 450	11	15
70	95		454A70D	4 3301 475	13,1	18
95	120		454A95D	4 3301 400	14,5	19

* Wiring with crimping lugs, according to NF C20-130 standard (for VDE 0220 standard, please contact us). Crimping: double hexagonal crimping is recommended.

**Choose the crimping tool according to the external diameter of your lug.

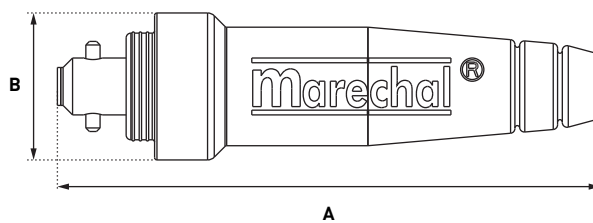
DRAWINGS AND DIMENSIONS

SOCKET OUTLET



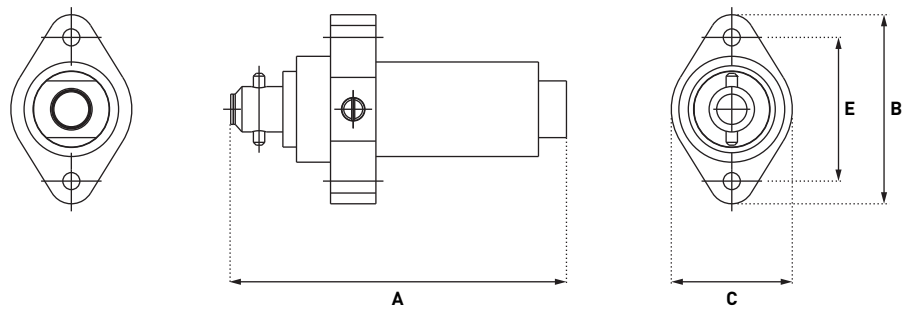
	A	B	C	E
CS2	79	50	32	38
CS3	103	60	44	44

PLUG



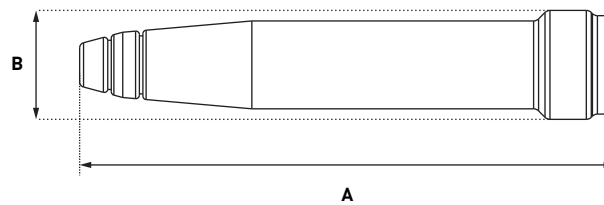
	A	B
CS2	115	31
CS3	157	38

CONNECTOR



	A	B	C	E
CS2	89	50	32	38
CS3	146	60	44	44

COUPLER SOCKET



	A	B
CS2	152	31
CS3	204	38

400 A

DSP400 SINGLE POLE CONNECTOR



DSP400

- are single pole connectors which are safe, reliable and provide a high level of performance for all permanent high current applications. They withstand frequent overloads up to 400 A.
- Are robust connectors with outstanding durability.
- Are fitted with two pilot contacts for electrical interlocking.

DSP400 SINGLE POLE CONNECTORS COMPLY WITH:

- the European Directives Low Voltage, RoHS (affixing of CE marking), REACH European Regulation.

THE HIGHEST POSSIBLE SAFETY

- IP4X/IPXXD (1 mm thread) socket to prevent any hazardous contact.
- Automatic IP66/IP67 watertightness.
- Two pilot contacts for electrical interlocking with an appropriate contactor.

AN EASILY OPERABLE CONNECTOR

- Mechanical fool-proofing system between phases, neutral and earth.
- Visual identification by standard colours.
- Connection with terminal or threaded crimping lugs.

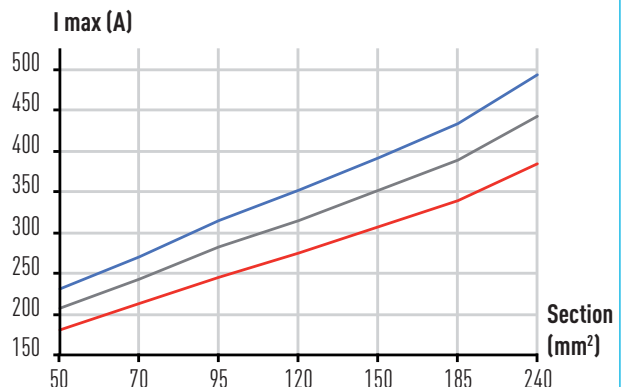
PERFORMANCES

- Thanks to the butt-contact technology, DSP400 withstands permanent current up to 400 A with 500 V AC or 750 V DC (600 kW).

DSP400 CHARACTERISATION

Permanent and non-intermittent on-load current permitted for a new DSP400, wired with an appropriate H 07 RN-F cable, and at a defined maximal ambient temperature.

- Tamb maxi : 60°C.
- Tamb maxi : 45°C.
- Tamb maxi : 30°C.



Up to 400 A/500 V

IP66/IP67

Temperature rating -40 °C to +60 °C



400 A 500 V

U MAXI

SINGLE POLE POWER CONNECTOR DSP400

NEW

GRP OR METAL



500 V AC
750 V DC



IP66
IP67



50 - 240 mm² (1)
70 - 300 mm² (2)



GRP
METAL



IK09



-40 °C
+60 °C



+2 PIL



EMC
METAL

(1) Flexible wiring (min.-max.).
(2) Stranded wiring (min.-max.).
300 mm² = 600 MCM.

OTHER FEATURES

Pre-wired pilot circuit (4 mm ²)	10 A/400 V
Live part protection	IP4X
Keying positions	7, mechanical and visual

REFERENCES (UP TO 500 V AC)



SOCKET-OUTLET metal DSP400 WITHOUT LUG



CONNECTOR metal DSP400 WITHOUT LUG



SOCKET-OUTLET GRP DSP400 WITHOUT LUG



CONNECTOR GRP DSP400 WITHOUT LUG

Type	COLOR coding				
	Europe*				
L1	Brown	3964001	3968001	3164001	3168001
L2	Black	3964002	3968002	3164002	3168002
L3	Grey	3964003	3968003	3164003	3168003
Neutral	Blue	396400N	396800N	316400N	316800N
Earth	Green	396400T	396800T	316400T	316800T
Positive	Red	396400P	396800P	316400P	316800P
Negative	Black	396400M	396800M	316400M	316800M
For products above 500 V (up to 1000 V)		contact us	contact us	contact us	contact us

* The indicated references are valid for Europe and Japan. For other countries: add the suffix P80 for the USA/P67 for Australia and New Zealand/P40 for UK and South-Africa.

COPPER LUGS

Lug choice depends on the cable: the cross-section of the flexible cable mentioned in the table below is for information only. Please check dimensions as these may vary according to cable types and manufacturers.






Wiring (mm²)		Straight with hole	Straight threaded M12	Internal diameter (mm)	External diameter (mm)*
Flexible	Stranded	Reference	Reference		
50	70	454A50C	454A50D	11	15
70	95	454A70C	454A70D	13,1	18
95	120	45AA95C	454A95D	14,5	19
120	150	454A12C	454A12D	16,2	21
150	185	454A15C	454A15D	18	24
185	240	454A18C	454A18D	20.6	26
240	300	454A24C	454A24D	23.1	29

For male contact, wiring with crimping lugs, according to NF C20-130 standard (for VDE 0220 standard, please contact us). Crimping: double hexagonal crimping is recommended.







*Choose the crimping tool according to the external diameter of your lug.

OPTIONS	Reference
LOCKING PIN FOR 2 PADLOCKS Ø 4 TO 8 mm (PADLOCKS NOT SUPPLIED)	
	Socket-outlet ref. +843
SAFETY HASP FOR UP TO 6 PADLOCKS	
	399A541
INLET CAP IP66/IP67	
	316A426
IN-LINE CONNECTIONS (A PAIR OF FINGER DRAW PLATES TO AID CLOSING)	
	316A346
IP40 SELF RETURNING LID (MANUAL CLOSING)	
	Ref. socket poly + R
ELECTROMAGNETIC COMPATIBILITY (EMC) ●	NEW
	Please order a metal threaded accessory herewith, together with a EMC cable gland to be found on page 318.
SPACER	
	Depth 20 mm 594M0-20

HANDLE	Input/ Cable outer Ø	Reference
POLY HANDLE + POLY CABLE GLAND ⁽¹⁾		
	14-25 mm	514P032P
	18-32 mm	514P040P
	24-38 mm	514P050P
POLY HANDLE (WITHOUT CABLE GLAND) ⁽¹⁾		
	M32	514P0M32
	M40	514P0M40
	M50	514P0M50
METAL HANDLE METRIC THREAD ENTRY (WITHOUT CABLE GLAND) ● ⁽²⁾		
	M25	594P0M25
	M32	594P0M32
	M40	594P0M40
	M50	594P0M50

(1) Compatible for use with M12 straight threaded lugs up to reference 454A12D.

(2) Compatible for use with M12 straight threaded lugs. From reference 454A18D, a 20 mm spacer should be used.

SLEEVE		Reference
POLY SLEEVE		
	30°	514M3 ⁽³⁾
	70°	514M7 ⁽⁴⁾
METAL SLEEVE ●		
	0° (Straight)	594M0 ⁽⁵⁾
	30°	594M3 ⁽³⁾
	70°	594M7 ⁽⁴⁾

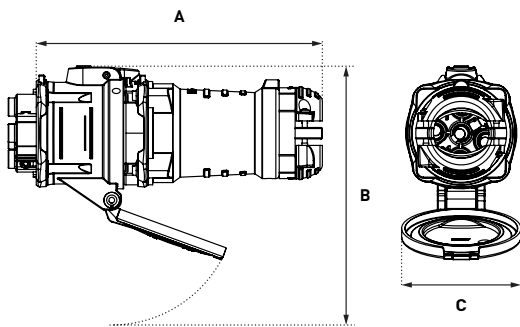
(3) Compatible for use with all M12 straight threaded lugs.

(4) Compatible for use with all terminal lugs.

(5) Compatible for use with all lugs.

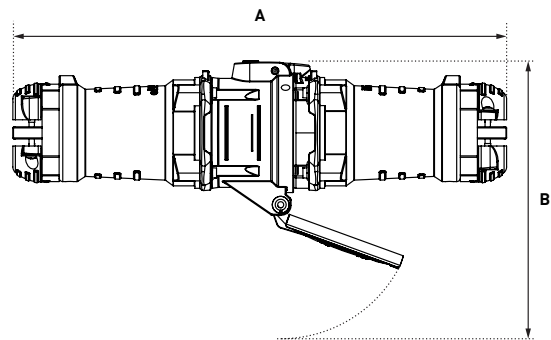
DRAWINGS AND DIMENSIONS

PLUG ON SOCKET-OUTLET



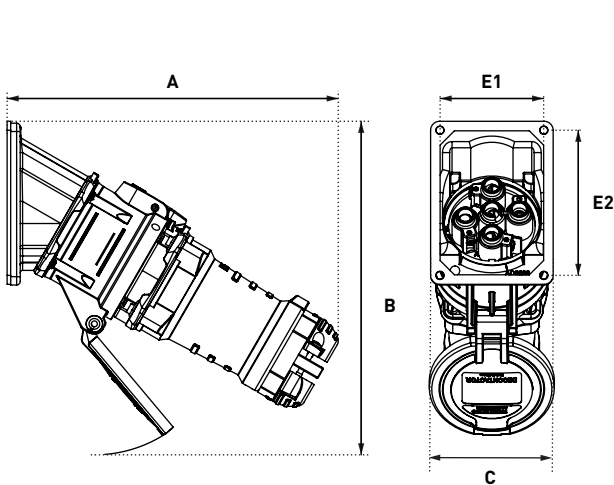
A	B	C
252	228	105

COUPLER



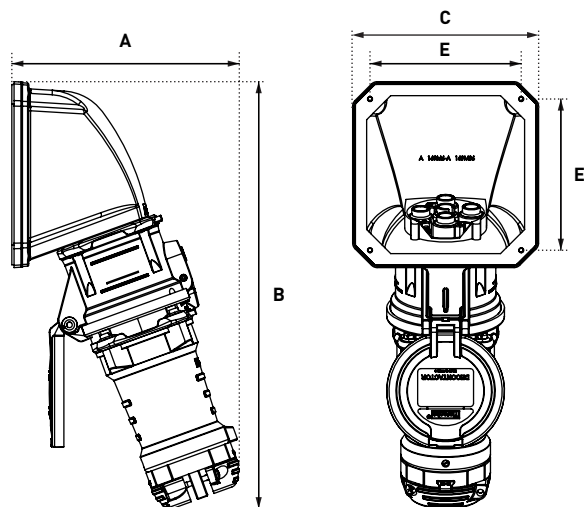
A	B
405	228

PLUG ON 30° INCLINED SOCKET-OUTLET



A	B	C	E1	E2
278	280	105	87	122

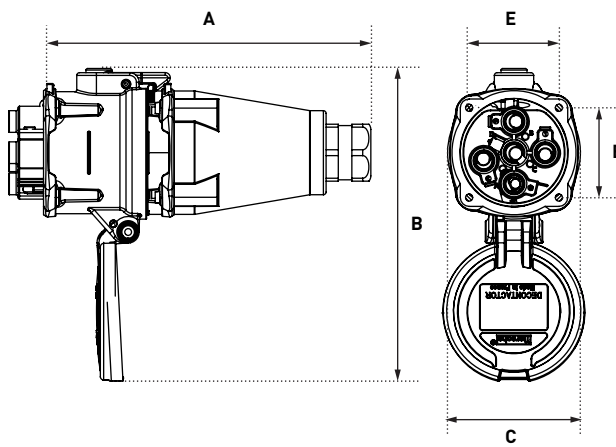
PLUG ON 70° INCLINED SOCKET-OUTLET



A	B	C	E
203	381	166	135

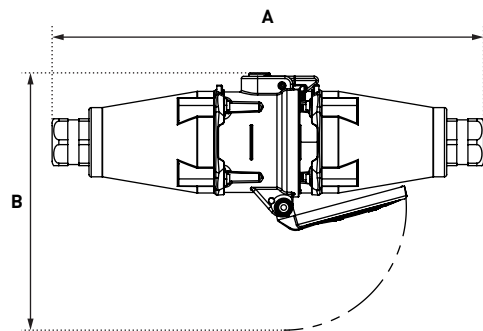
DRAWINGS AND DIMENSIONS

PLUG ON SOCKET-OUTLET



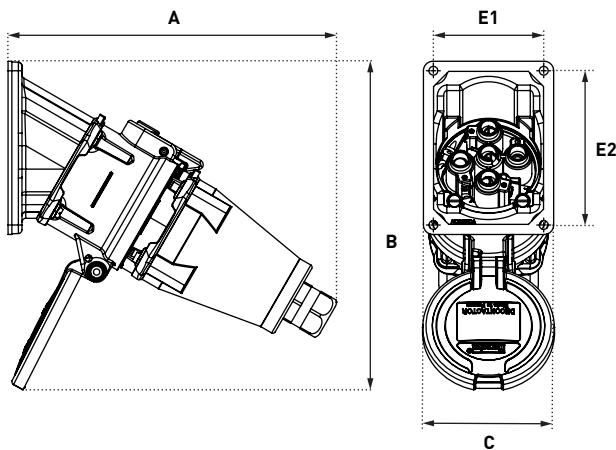
A	B	C	E
241	230	104	66

COUPLER



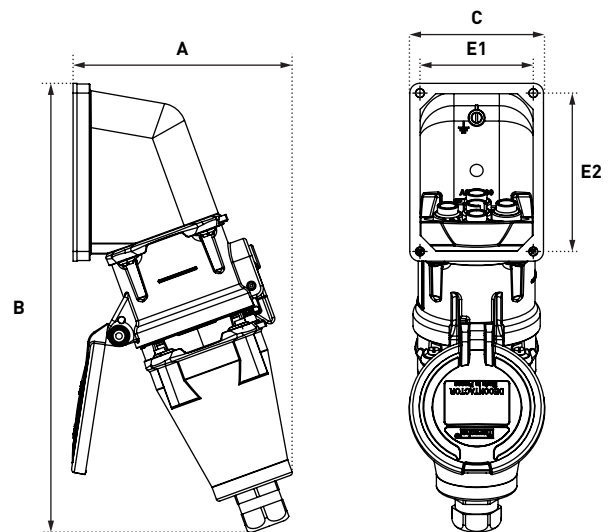
A	B
386	230

PLUG ON 30° INCLINED SOCKET-OUTLET



A	B	C	D	E1	E2
279	257	102	136	88	122

PLUG ON 70° INCLINED SOCKET-OUTLET



A	B	C	E1	E2
169	346	104	88	122

500 A

CS1000 SINGLE POLE CONNECTOR



CS1000

- are single pole connectors which are safe, reliable and provide a high level of performance for all high current applications. They withstand frequent overloads up to 500 A that depend on operating cycle.
- Are robust connectors with outstanding durability.

CS1000 CONNECTORS COMPLY WITH:

- the European Directives Low Voltage, RoHS (affixing of CE marking), REACH European Regulation.



USA and North America



Canada



Russia and Eurasia

PERFECT SAFETY

- Socket-outlet: IP2X finger protection, without cap,
- IP66/IP67 watertightness with cap ; or upon connection,
- Locking mechanism preventing disconnection by accident.

EASY CONNECTION

- Mechanical fool-proofing system between phases, neutral and earth,
- Standardised colour coding (according to local regulation),
- Replacable crimping lug in case of cable damage.

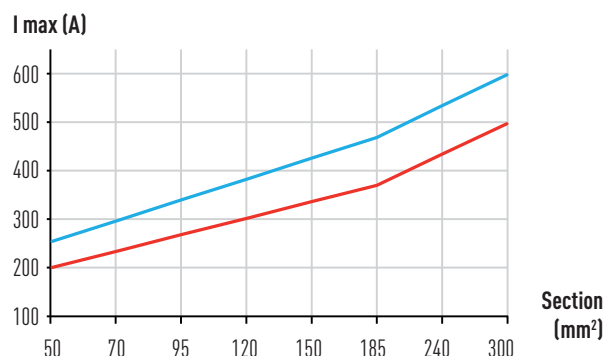
HIGH PERFORMANCE

- Thanks to its silver butt-contact technology the CS1000 connector withstands permanent current of 500 A/1 000 V AC or 1 500 V DC (wiring from 50 to 400 mm²).

CS1000 CHARACTERISATION

Permanent and non-intermittent on-load current permitted for a new CS1000, wired with an appropriate H 07 RN-F cable, and at a defined maximal ambient temperature.

- Tamb maxi : 60°C.
- Tamb maxi : 30°C.



Up to 500 A/1 000 V

IP66/IP67

Temperature rating -40 °C to +60 °C

Mechanical padlocking ring

IP66/IP67
seal ring

Safety shutter
(IP2X protection)



Bayonet operation

Mechanical keying position (Neutral here)

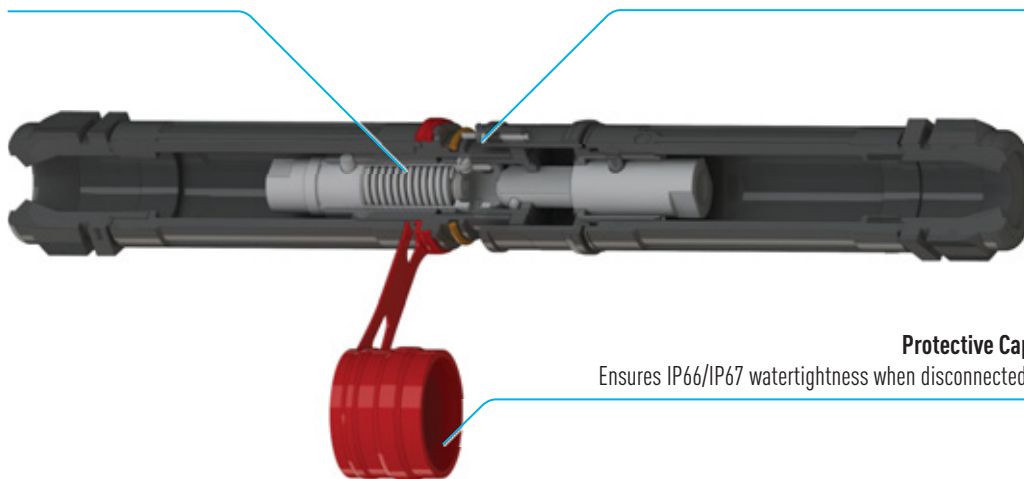
Spring Loaded Butt-Style Contacts

Ensures optimal contact force and superior electrical performance over thousands of operations.

Silver-Nickel Contact Material

Solid silver-nickel contact surfaces provide:

- superior conductivity,
- corrosion resistance,
- durability.



Protective Cap

Ensures IP66/IP67 watertightness when disconnected.

5 MECHANICAL KEYING POSITIONS (EUROPEAN COLOR CODING)

Earth

L1

L2/Negative

L3/Positive

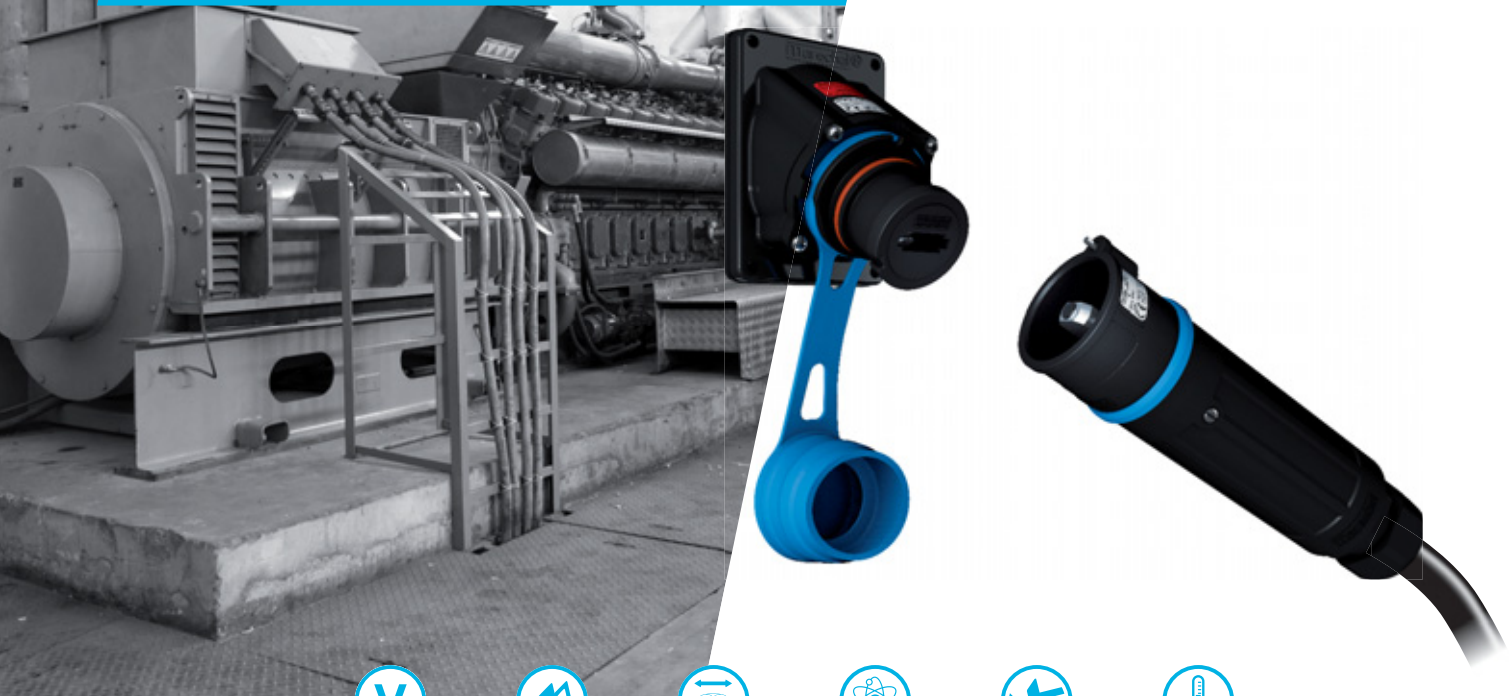
Neutral



500 A 1 000 V

U_{MAXI}

SINGLE POLE POWER CONNECTOR CS1000



1 000 V AC
1 500 V DC



IP66
IP67



50-300 mm² (1)
70-400 mm² (2)



GRP



IK08



-40 °C
+60 °C

(1) Flexible wiring (min.-max.).
(2) Stranded wiring (min.-max.).

OTHER FEATURES

Icc : rated conditional short circuit current (kA)	20 kA during 250 ms
Number of operations	2 000
Keying positions	5, mechanical and visual

COLOR coding

Type	Europe*	Reference	Reference
L1	Brown	4534001	4538001
L2	Black	4534002	4538002
L3	Grey	4534003	4538003
Neutral	Blue	453400N	453800N
Earth	Green	453400T	453800T
Positive	Red	453400P	453800P
Negative	Black	453400M	453800M

SOCKET-OUTLET
female
CS1000
WITHOUT LUG



INLET male
CS1000
WITHOUT LUG



* The indicated references are valid for Europe and Japan. for UK, South-Africa and India : add the suffix P40.
Color coding is as follows: L1 => Red / L2 => Yellow / L3 => Blue / Neutral => Black / Earth => Green / Positive => Red / Negative => Black.

SOCKET-OUTLET
female
CS1000
WITHOUT LUG



INLET male
CS1000
WITHOUT LUG



COLOR coding

Type	Australia and New Zealand	Reference	Reference
L1	Red	4534001-P67	4538001-P67
L2	White	4534002-P67	4538002-P67
L3	Blue	4534003-P67	4538003-P67
Neutral	Black	453400N-P67	453800N-P67
Earth	Green	453400T-P67	453800T-P67
Positive	Red	453400P-P67	453800P-P67
Negative	Black	453400M-P67	453800M-P67

Type	USA	Reference	Reference
L1	Black	4534001-P80	4538001-P80
L2	Red	4534002-P80	4538002-P80
L3	Blue	4534003-P80	4538003-P80
Neutral	White	453400N-P80	453800N-P80
Earth	Green	453400T-P80	453800T-P80
Positive	Red	453400P-P80	453800P-P80
Negative	Black	453400M-P80	453800M-P80

COPPER LUGS

Lug choice depends on the cable: the cross-section of the flexible cable mentioned in the table below is for information only. Please check dimensions as these may vary according to cable types and manufacturers.

Wiring (mm ²)		Straight with hole	Straight threaded M12	Internal diameter (mm)	External diameter (mm)*
Flexible	Stranded	Reference	Reference		
50	70	454A50C	454A50D	11	15
70	95	454A70C	454A70D	13,1	18
95	120	454A95C	454A95D	14,5	19
120	150	454A12C	454A12D	16,2	21
150	185	454A15C	454A15D	18	24
185	240	454A18C	454A18D	20,6	26
240	300	454A24C	454A24D	23,1	29
300	400	454A30C	454A30D	26,1	32
400	500	454A40C	454A40D	29,2	40

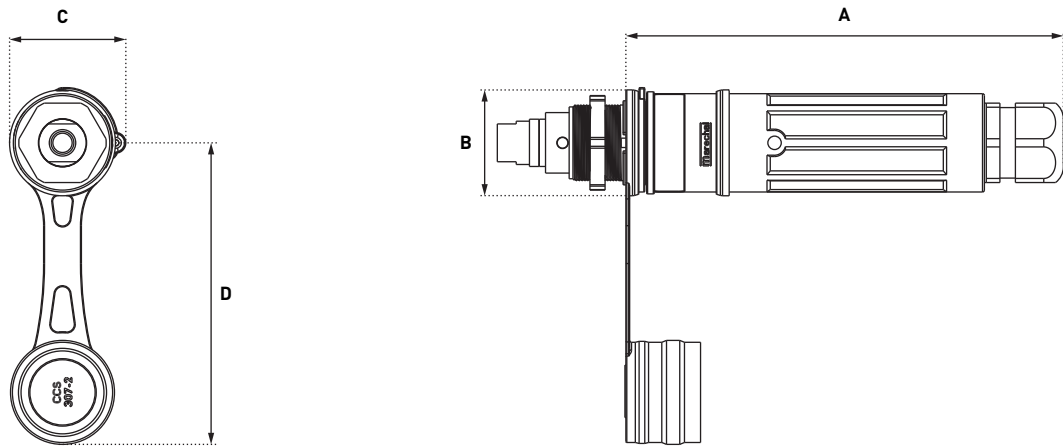
For male contact, wiring with crimping lugs, according to NF C20-130 standard (for VDE 0220 standard, please contact us). Crimping: Double hexagonal crimping is recommended.

*Choose the crimping tool according to the external diameter of your lug.

OPTIONS	Reference	SLEEVE	Reference
PADLOCKING RING		SLEEVE INCLINED 30° WITH ADAPTER PLATE	
	453A843	The inclined sleeve is recommended to reduce cable weight effect.	453A027
INLET CAP		HANDLE	Input/ Cable outer Ø
	453A126	HANDLE STRAIGHT	Reference
ADAPTER PLATE			M32/14-25 mm 453A753
	453A540		M40/18-32 mm 453A783
ADDITIONAL UNLOCKING KEY		HANDLE + MANDATORY ADAPTATION PLATE	
	453A396	Designed for lugs with part numbers starting from 454A24D.	
		454A753 (M50/17-38 mm) +	453A457-SP
		454A783 (M63/35-48 mm) +	453A457-SP

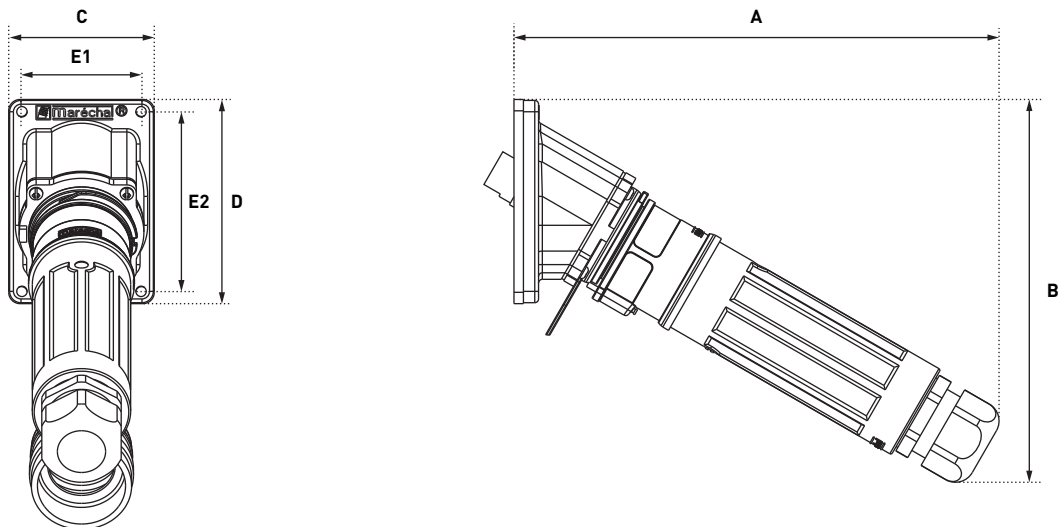
DRAWINGS AND DIMENSIONS

PLUG ON SOCKET-OUTLET



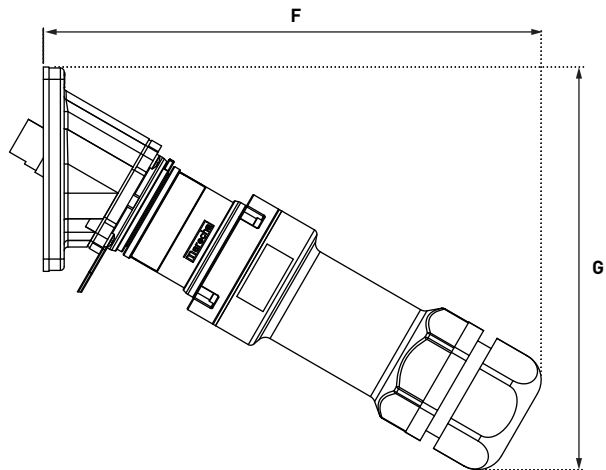
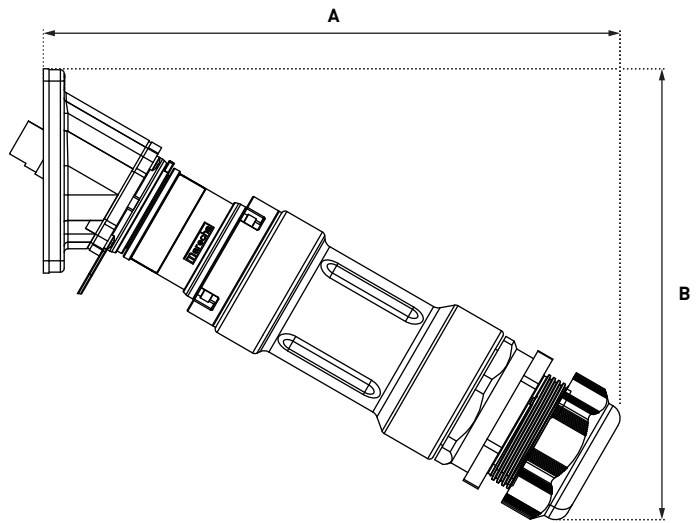
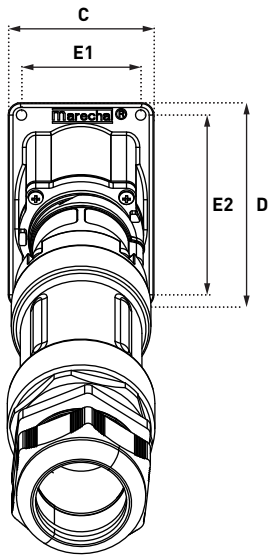
A	B	C	D
231	56	56	160

PLUG ON 30° INCLINED SOCKET-OUTLET VERSION WITH HANDLE REF. 453A783 & 453A753



A	B	C	D	E1	E2
257	202	77	108	64	95

PLUG ON 30° INCLINED SOCKET-OUTLET
VERSION WITH HANDLE REF. 454A783 + 453A457-SP (A, B) & 453A753 + 453A457-SP (F, G)



A	B	C	D	E1	E2	F	G
305	238	77	108	63	95	263	213

750 A

SP SINGLE POLE CONNECTOR



SP

- are single pole connectors which are safe, reliable and provide a high level of performance for all high current applications. They withstand frequent overloads up to 750 A that depend on operating cycle.
- Are robust connectors with outstanding durability.
- Are fitted with an electromechanical interlocking and an electrical interlocking with pilot contact circuit.

SP SINGLE POLE CONNECTORS COMPLY WITH:

- the European Directives Low Voltage, RoHS (affixing of CE marking), REACH European Regulation.



Canada



Russia
and Eurasia



Marine



Military
(Mil-S-901D)

THE HIGHEST POSSIBLE SAFETY

- IP2X socket-outlet when cap removed,
- Automatic IP66/IP67 watertightness when plug is connected.

AN EASILY OPERABLE CONNECTOR

- Straight insertion of the plug into the socket-outlet without any rotation,
- Mechanical fool-proofing system between phases, neutral and earth,
- Visual identification by standard colours,
- Screwed crimping lugs facilitate cable replacement.

PERFORMANCES

- Thanks to the butt-contact principle, the SP withstands continuously up to 750 A/1000 V AC or 1500 V DC (70 mm² to 630 mm² conductors), withstands at least 2 000 operations.

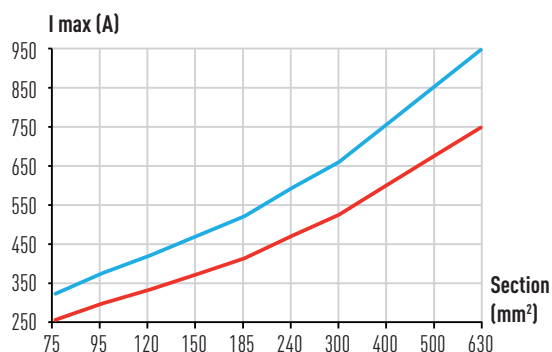


Reliable mechanical and electrical interlocking with pilot contact circuit.

SP CHARACTERISATION

Permanent and non-intermittent on-load current permitted for a new SP, wired with an appropriate H 07 RN-F cable, and at a defined maximal ambient temperature.

- Tamb maxi : 60°C.
- Tamb maxi : 30°C.

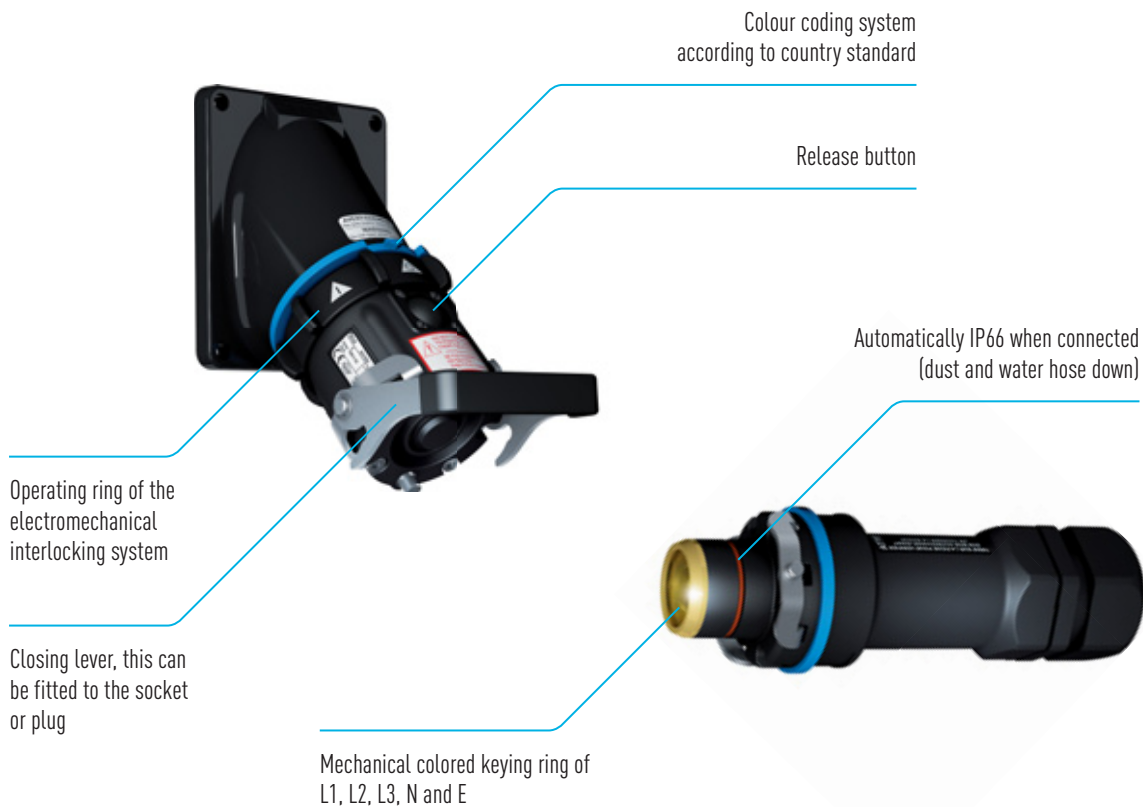


Up to 750 A/1 000 V

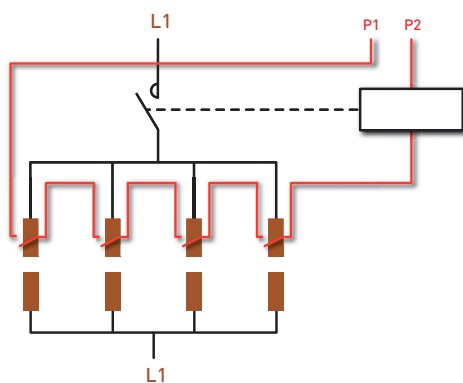
IP66/IP67

Temperature rating -40 °C to +60 °C

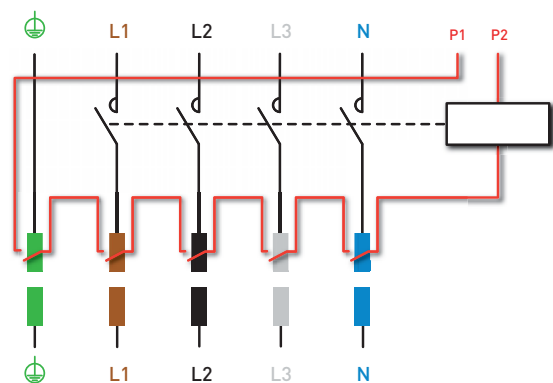
Electromechanical interlocking system



INTERLOCKING ELECTRICAL WIRING DIAGRAM: INCREASED POWER WITH PARALLEL CONNECTION



INTERLOCKING ELECTRICAL WIRING DIAGRAM: LAST CONNECTION COMPLETES THE CIRCUIT



750 A 1 000 V

U MAXI

SINGLE POLE POWER CONNECTOR SP



1 000 V AC
1 500 V DC



IP66
IP67



SEE
TABLE



GRP



IK08



-40 °C
+60 °C



+2 PIL



LEVER MECHANISM

TO BE ORDERED SEPARATELY

Compatible with socket or inlet since 2018

Lever mechanism : 454A876

Draw base : 454A396



OTHER FEATURES

Rated current	Consult us for intensities higher than 700 A
Short-circuit current Icc	20 kA for 250 ms
Number of operations	2 000
Pre-wired pilot circuit	10 A/250 V

COLOR coding

Type	Europe*	Reference	Reference
L1	Brown	4544001	4548001
L2	Black	4544002	4548002
L3	Grey	4544003	4548003
Neutral	Blue	454400N	454800N
Earth	Green	454400T	454800T
Positive	Red	454400P	454800P
Negative	Black	454400M	454800M

SOCKET-OUTLET

female

SP

WITHOUT LUG



INLET male

SP

WITHOUT LUG



* The indicated references are valid for Europe and Japan. for UK, South Africa and India : add the suffix P40.

Color coding is as follows: L1 => Red / L2 => Yellow / L3 => Blue / Neutral => Black / Earth => Green / Positive => Red / Negative => Black.

SOCKET-OUTLET
female
SP (700 A)
WITHOUT LUG



INLET male
SP (700 A)
WITHOUT LUG



COLOR coding		Reference	Reference
Type	Australia and New Zealand		
L1	Red	4544001-P67	4548001-P67
L2	White	4544002-P67	4548002-P67
L3	Blue	4544003-P67	4548003-P67
Neutral	Black	454400N-P67	454800N-P67
Earth	Green	454400T-P67	454800T-P67
Positive	Red	454400P-P67	454800P-P67
Negative	Black	454400M-P67	454800M-P67

Type	USA	Reference	Reference
L1	Black	4544001-P80	4548001-P80
L2	Red	4544002-P80	4548002-P80
L3	Blue	4544003-P80	4548003-P80
Neutral	White	454400N-P80	454800N-P80
Earth	Green	454400T-P80	454800T-P80
Positive	Red	454400P-P80	454800P-P80
Negative	Black	454400M-P80	454800M-P80

LUGS

Lug choice depends on the cable: the cross-section of the flexible cable mentioned in the table below is for information only. Please check dimensions as these may vary according to cable types and manufacturers.




Wiring (mm²)		Straight with hole	Straight threaded M12	Internal diameter (mm)	External diameter (mm)*
Flexible	Stranded	Reference	Reference		
50	70	454A50C	454A50D	11	15
70	95	454A70C	454A70D	13.1	18
95	120	45AA95C	454A95D	14.5	19
120	150	454A12C	454A12D	16.2	21
150	185	454A15C	454A15D	18	24
185	240	454A18C	454A18D	20.6	26
240	300	454A24C	454A24D	23.1	29
300	400	454A30C	454A30D	26.1	32
400	500	454A40C	454A40D	29.2	40
500	630	454A500C	454A500D	33.2	42
630	/	/	454A63D	37.6	52


For male contact, wiring with crimping lugs, according to NF C20-130 standard (for VDE 0220 standard, please contact us). Crimping: Double hexagonal crimping is recommended.

*Select the crimping tool according to the outside diameter of your lug.

OPTIONS	Reference
M12 CONNECTION PIECE*	
	474A277

*Wiring with straight cable lugs with terminals.

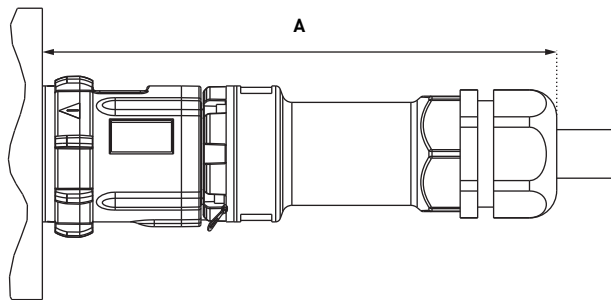
HANDLE	Input/ Cable outer Ø	Reference
HANDLE STRAIGHT		
	M50 17-38 mm	454A753
	M63 35-48 mm	454A783

SLEEVE	Reference
SLEEVE INCLINED METAL 45°	
	454A027
The inclined sleeve is recommended to reduce cable weight effect.	

ACCESSORIES	Reference
LOCKING PIN FOR 2 PADLOCKS Ø 4 TO 8 mm (PADLOCKS NOT SUPPLIED)	
	454A843

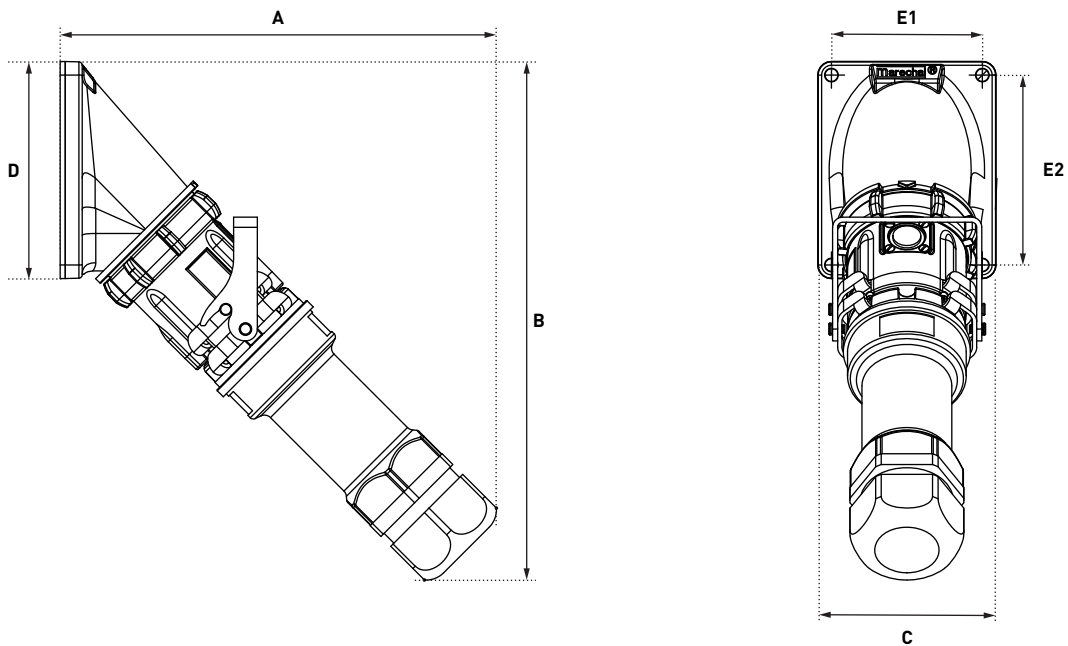
DRAWINGS AND DIMENSIONS

PLUG ON SOCKET-OUTLET



	A
SP M50	265
SP M63	291

PLUG ON 45° INCLINED SOCKET OUTLET



	A	B	C	D	E1	E2
SP M50	254	306	105	128	89	112
SP M63	279	330	105	128	89	112



1 250 A

DSP1250 SINGLE POLE CONNECTOR



DSP1250

- are single pole connectors which are safe, reliable and provide a high level of performance for all permanent high current applications. They withstand frequent overloads up to 1250 A.
- Are robust connectors with outstanding durability.
- Are fitted with a mechanical interlocking system.
- Are fitted with two pilot contacts for electrical interlocking.

DSP1250 SINGLE POLE CONNECTORS COMPLY WITH:

- the European Directives Low Voltage, RoHS (affixing of CE marking), REACH European Regulation.

THE HIGHEST POSSIBLE SAFETY

- IP2X/IPXXB (contact finger) socket to prevent any hazardous contact.
- Automatic IP66/IP67 watertightness.
- Mechanical locking system that prevents from inadvertent on-load breaking.
- Two pilot contacts for electrical interlocking with an appropriate contactor.

AN EASILY OPERABLE CONNECTOR

- Mechanical fool-proofing system between phases, neutral and earth,
- Visual identification by standard colours,
- Connection with terminal or threaded crimping lugs.

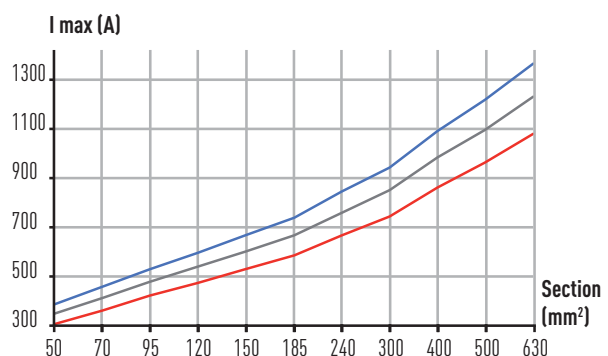
PERFORMANCES

- Thanks to the butt-contact technology, DSP1250 withstands permanent current up to 1 250 A with 1 000 V AC (1,2 MW) or 1 500 V DC (1,8 MW).

DSP1250 CHARACTERISATION

Permanent and non-intermittent on-load current permitted for a new DSP1250, wired with an appropriate H 07 RN-F cable, and at a defined maximal ambient temperature.

- Tamb maxi : 60°C.
- Tamb maxi : 45°C.
- Tamb maxi : 30°C.



Up to 1 250 A/1 000 V

IP66/IP67

Temperature rating -40 °C à +60 °C

Electromechanical interlocking system



1250A 1 000 V

U MAXI

SINGLE POLE POWER CONNECTOR DSP1250



1 000 V AC
1 500 V DC



IP66
IP67



50 - 630 mm² (1)
70 - 630 mm² (2)



METAL



IK10



-40 °C
+60 °C



+2 PIL



EMC

(1) Flexible wiring (min.-max.).
(2) Stranded wiring (min.-max.).
630 mm² = 1250 MCM.

OTHER FEATURES

Mechanical interlock	standard
Pre-wired pilot circuit [2.2 mm ²]	5A/400 V
Live part protection	IP2X
Keying positions	7, mechanical and visual

REFERENCES (UP TO 690 V AC)



SOCKET-OUTLET
metal **DSP1250**
WITHOUT LUG



CONNECTOR metal
DSP1250
WITHOUT LUG



Each inlet should be connected to a wall box, a sleeve, a handle or a spacer to ensure correct operation of the closing mechanism.

Type	Europe*		
L1	Brown	3924001	3928001
L2	Black	3924002	3928002
L3	Grey	3924003	3928003
Neutral	Blue	392400N	392800N
Earth	Green	392400T	392800T
Positive	Red	392400P	392800P
Negative	Black	392400M	392800M
For products above 690 V (up to 1000 V)		Reference + 155	Reference + 155

* The indicated references are valid for Europe and Japan. For other countries: add the suffix P80 for the USA/P67 for Australia and New Zealand/P40 for UK and South-Africa.

COPPER LUGS

Lug choice depends on the cable: the cross-section of the flexible cable mentioned in the table below is for information only. Please check dimensions as these may vary according to cable types and manufacturers.






Wiring (mm ²)		Straight with hole	Straight threaded M12	Internal diameter (mm)	External diameter (mm)*
Flexible	Stranded	Reference	Reference		
50	70	454A50C	454A50D	11	15
70	95	454A70C	454A70D	13.1	18
95	120	45AA95C	454A95D	14.5	19
120	150	454A12C	454A12D	16.2	21
150	185	454A15C	454A15D	18	24
185	240	454A18C	454A18D	20.6	26
240	300	454A24C	454A24D	23.1	29
300	400	454A30C	454A30D	26.1	32
400	500	454A40C	454A40D	29.2	40
500	630	454A500C	454A500D	33.2	42
630	/	/	454A63D	37.6	52

For male contact, wiring with crimping lugs, according to NF C20-130 standard (for VDE 0220 standard, please contact us). Crimping: Double hexagonal crimping is recommended.

*Choose the crimping tool according to the external diameter of your lug.

OPTIONS	Reference
LOCKING PIN FOR 2 PADLOCKS Ø 4 TO 8 mm (PADLOCKS NOT SUPPLIED)	
 Socket-outlet ref. +843	
SAFETY HASP FOR UP TO 6 PADLOCKS	
 399A541	
INLET CAP IP66/IP67	
 392A426	
IP40 SELF RETURNING LID (MANUAL CLOSING)	
 Socket-outlet ref.+R	
ELECTROMAGNETIC COMPATIBILITY (EMC) ● NEW	
 Please order a metal threaded accessory herewith, together with a EMC cable gland to be found on page 318.	
SPACERS (BETWEEN THE WALL BOX OR PANEL)	
 Depth 68 mm 5K7M0-68	
 Depth 115 mm 5K7M0-115	
PADLOCKING/ELECTRO-MECHANICAL INTERLOCKING	
 Socket-outlet reference+MIL. Check out the details on page 312	

SLEEVE	Reference	
METAL SLEEVE ●		
 60° 596M6 ⁽¹⁾		
 60° 597M6 ⁽²⁾		
HANDLE	Cable outer Ø	Reference
ELASTOMER HANDLE WITH GLAND ⁽³⁾		
 25-35 mm 556P0D35		
 35-45 mm 556P0D45		
 45-49 mm 556P0D49		
METAL HANDLE WITH INTEGRATED CABLE CLAMP ⁽⁴⁾		
 40-50 mm 5K6P0D50		
 51-60 mm 5K6P0D60		
 61-70 mm 5K6P0D70		
 71-80 mm 5K6P0D80		
 81-90 mm 5K6P0D90		
METAL HANDLE METRIC THREAD ENTRY (WITHOUT CABLE GLAND) ● ⁽⁴⁾		
 M40 5K6P0M40L		
 M50 5K6P0M50L		
 M63 5K6P0M63L		
 M75 5K6P0M75L		
METAL HANDLE METRIC THREAD ENTRY (WITHOUT CABLE GLAND) - LARGE SIZE ● ⁽⁴⁾		
 M63 796P0M63		
M75 796P0M75		

(1) Compatible for use with all straight terminal lugs.

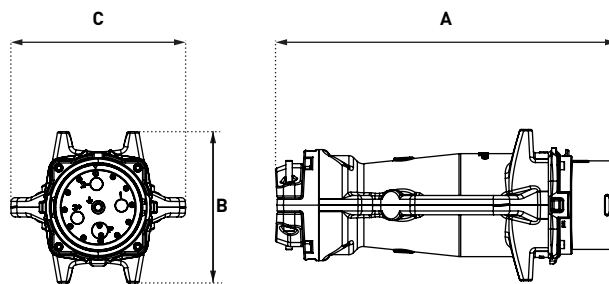
(2) Compatible for use with M12 straight threaded lugs. From reference 454A40D, a 68 mm minimum spacer should be used.

(3) Compatible for use with M12 straight threaded lugs. From reference 454A24D, a 68 mm minimum spacer should be used.

(4) Compatible for use with all M12 straight threaded lugs.

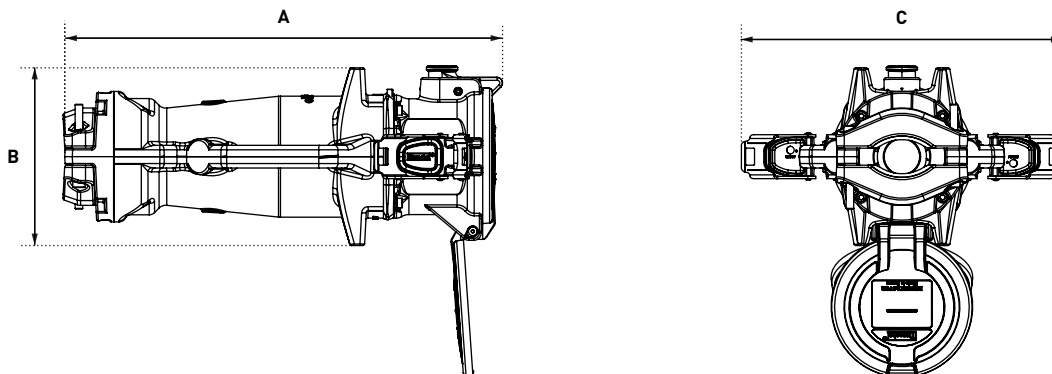
DRAWINGS AND DIMENSIONS

PLUG



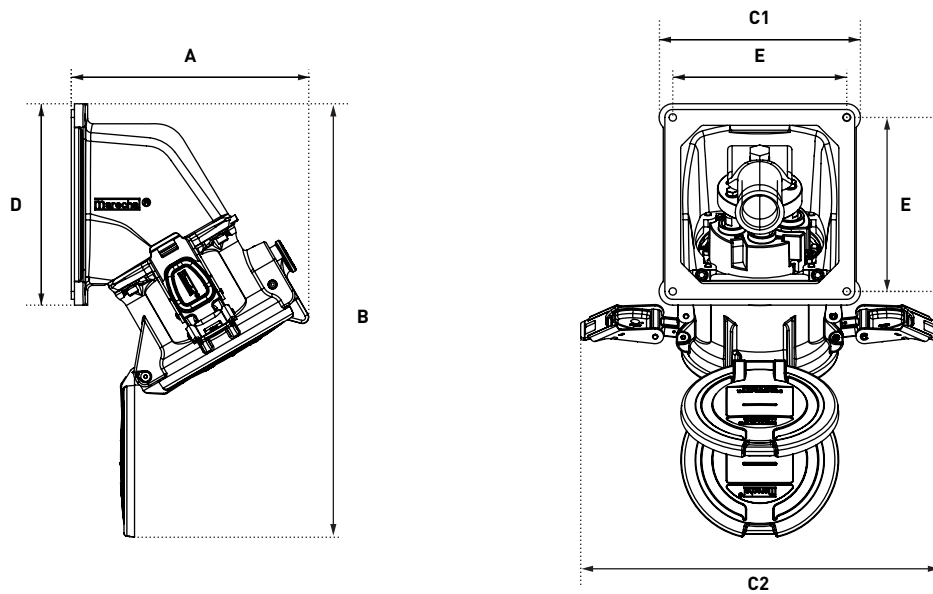
A	B	C
475	147	147

COUPLER SOCKET



A	B	C
463	188	340

SOCKET OUTLET INCLINED AT 60°



A	B	C1	C2	D	E
225	411	191	340	191	165



MULTICONTACT CONNECTORS

7 CONTACTS

25 A

PN7C



7 CONTACTS

50 A/100 A

DS7C3/6



9 CONTACTS

30 A

DN9C



12 CONTACTS

16 A

PN12C



MODEL

MAX NB OF CONTACTS

CURRENT

U MAX
AC

PN7C

6+E (screw-type)

25 A

500 V

DS7C3

6+E (screw-type)

50 A

500 V

DS7C6

6+E (screw-type)

100 A

500 V

DN9C

8+E (screw-type)

30 A

415 V

PN12C

11+E (welding/crimping)

16 A

480 V

DSN12C

11+E (welding/crimping)

16 A

480 V

DN20C

19+E (screw-type)

25 A

415 V

DSN24C

23+E (welding/crimping)

16 A

480 V

DSN37C

36+E (welding/crimping)

16 A

480 V

DOWNLOAD ALL TECHNICAL SHEETS ON OUR WEBSITE MARECHAL.COM

SELECTION GUIDE

12 CONTACTS
16 A

DSN12C



20 CONTACTS
25 A

DN20C



24 CONTACTS
16 A

DSN24C



37 CONTACTS
16 A

DSN37C



MULTICONTACT



MATERIAL	IP	EMC	IK	PAGE
POLY METAL	IP66/IP67	Yes (metal)	IK09	144
METAL	IP66/IP67	Yes	IK09	148
POLY METAL	IP66/IP67	Yes (metal)	IK09	152
METAL	IP54/IP55	Yes	IK09	156
POLY METAL	IP66/IP67	Yes (metal)	IK09	160
POLY	IP66/IP67	/	IK09	164
METAL	IP54/IP55	/	IK09	168
POLY	IP66/IP67	/	IK09	172
POLY	IP66/IP67	/	IK09	176






CRIMPING CONTACTS

FOR PN12C/DSN12C/DSN24C/DSN37C

ECONOMIC AND TECHNICAL ADVANTAGES

Crimping ensures an economical and sustainable solution through installation time saving and quality of connection.

- No need for soldering performance qualifications.
- High resistance to vibrations.
- Handling more than 5000 operations: a high durability and quality of connection guaranteed.

ACCESSORIES AND OPTIONS	DESIGNATION	REFERENCE
	Bag of 13 females contacts	01AA213
	Bag of 13 males contacts	01AA113 (PN12C/DSN12C) 61CA113 (DSN24C/DSN37C)
	Multi-Contact removal tool	61CA593
	European crimping tool	61CA500
	Helavia sleeve expansion tool	61CA400
	Bag of 13 heat shrink insulation sleeves	61CA083

FAST WIRING

- Cable conductors: 1 mm² to 2,5 mm²
- Before wiring, add a heat-shrink sleeve or insulating sleeve on each conductor.
- After wiring, cover the visible portion of the contact with the sleeve.
- Crimp the contact with a KNIPEX crimping tool P/N° 61CA500 or a GREENLEE crimping tool P/N° 45505.
- Use the 4 mm² footprint whatever the conductor cross-section.
- Perform double crimping in compliance with NF C 20-130 and CEI 60352-2 standards.
- Conductors can equally be soldered.

INFOS +

Leaving 2 contacts unused can give 9 different keying positions (on socket outlet side or mobile plug side) using the two specific stopping plugs supplied.

SIMPLE ASSEMBLY AND DISASSEMBLY

ASSEMBLY

To insert contacts when they have been wired is simple. Push wired contact into rear of insulator until it stops to complete the installation.

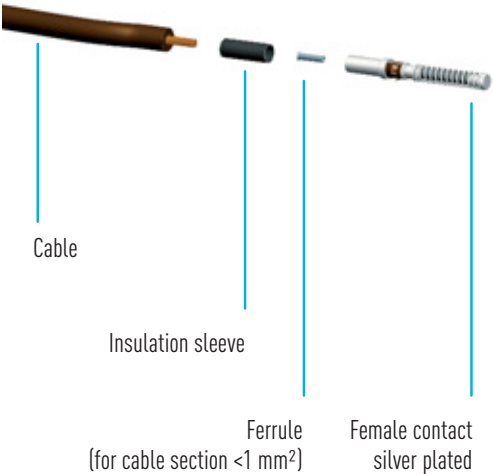


DISASSEMBLY

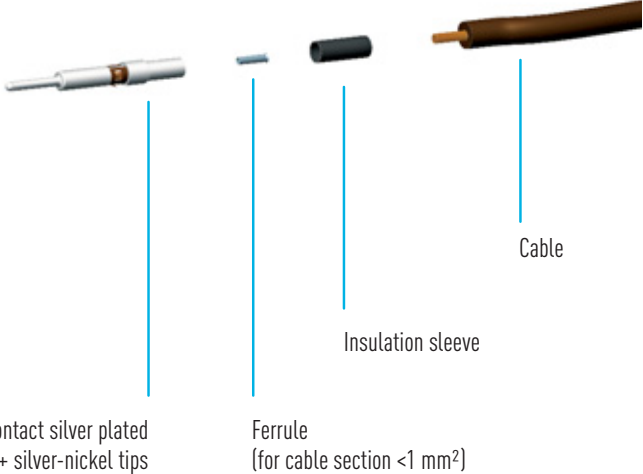
To remove, use the tool provided. Push tool from front onto contact until tool stops. Contact is then released at rear of insulator.



Socket-outlet side



Connector side



7 CONTACTS

25 A

500 V
U_{MAXI}

MULTICONTACTS CONNECTORS PN7C



IP66
IP67



1-4 mm² (1)
1-6 mm² (2)



GRP
METAL



IK09



-40 °C
+60 °C



EMC
METAL

(1) Flexible wiring (min.-max.).
(2) Stranded wiring (min.-max.).

OTHER FEATURES

∑ of currents (contacts)	≤ 130 A
Terminals wiring	screw-type



SOCKET-OUTLET
female
PN7c



INLET male
PN7c



50 V AC	6P (16 A)	01P4060	01P8060
50 V AC	7P (16 A)	01P4070	01P8070
500 V AC	5P+E (25 A)	01P4051	01P8051
500 V AC	6P+E (16 A)	01P4061	01P8061



GRP devices are not compatible with metal devices.



SOCKET-OUTLET
female
PN7c



INLET male
PN7c



50 V AC	6P (16 A)	09P4060	09P8060
50 V AC	7P (16 A)	09P4070	09P8070
480 V AC	5P+E (25 A)	09P4051	09P8051
480 V AC	6P+E (16 A)	09P4061	09P8061



For a black colour GRP housing replace the second reference character with 5.






OPTIONS	Reference
LOCKING FOR 1 PADLOCK Ø 4 mm (WITHOUT SHAFT)	
	Ref. + 843
SCREW LOCKING IMPRINT BTR 2,5	
	Ref. + 22
INLET CAP IP66/IP67	
	01NA426
REVERSED INTERIOR AND CONTACTS	
 The connector is supplied with a rubber inlet cap.	Ref. conn. + 001 Ref. socket + 001
180° OPENING LID	
	Ref. socket + 10
IP40 SELF RETURNING LID (MANUAL CLOSING)	
	Socket-outlet ref.+R
180° OPENING + SELF-RETURNING LID	
	Ref. socket + 18
ELECTROMAGNETIC COMPATIBILITY (EMC) ● NEW	
 Please order a metal threaded accessory herewith, together with a EMC cable gland to be found on page 318.	




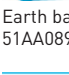

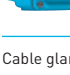
PRODUCTS AVAILABLE IN BLACK ●

The black dot means these products are also available in black color. Replace the second character of the product reference with 5

PRODUCT WITH ANTI-BACTERIAL TREATMENT ● **NEW**

This sticker means that the product is also available with an antibacterial treatment. Add the suffix AG to the reference. For more information on anti-bacterial treated handles please consult us.

SLEEVE	∠x°	Reference
POLY SLEEVE ●		
	30°	511M3
	70°	511M7
METAL SLEEVE ●		
	0° (Straight)	591M0
	30°	591M3
	45°	591M4

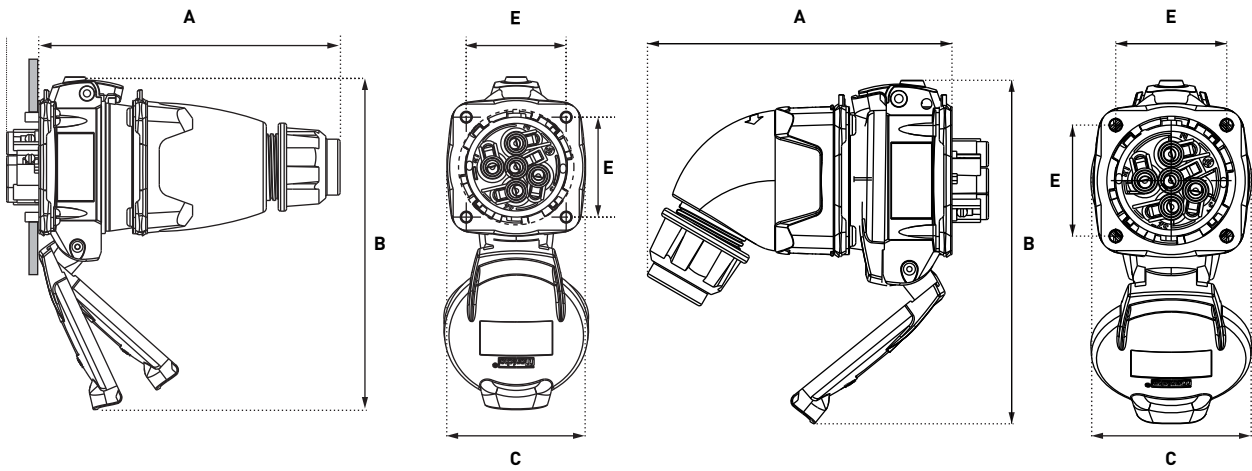
BOXES	∠x°	Input	Ref.
POLY BOX ●			
	0° (Straight)	M20	511B0M20
	0° (Straight)	M25	511B0M25
	30°	M20	511B3M20
	30°	M25	511B3M25
POLY BOX + POLY SLEEVE			
	70°	Without hole	511C7000
	70°	Hole Ø 20	511C7M20
	70°	Hole Ø 25	511C7M25
	70°	Hole Ø 32	511C7M32
Earth bar ref. : 51AA089			
METAL BOX (+ EARTHING WIRE) + POLY SLEEVE			
	30°	M20	511C3M20
METAL BOX (+ EARTHING WIRE) + METAL SLEEVE ●			
	45°	M20	591C4M20
	45°	M25	591C4M25
	45°	M32	591C4M32

Cable glands are not delivered with the boxes.

HANDLE	Input/ Cable outer Ø	Ref.
POLY HANDLE WITH GLAND ● ●		
	9-18 mm	511P0D18
	5-21 mm	511P0D21
	9-18 mm	511P6D18
POLY HANDLE + POLY CABLE GLAND ● ●		
	5-12 mm	511P020P
	9-18 mm	511P025P
	14-25 mm	511P032P
METAL HANDLE WITH METAL GLAND (+ EARTHING WIRE)		
	7-13 mm	591P020M
	8-16 mm	591P025M
	16-24 mm	591P032M
POLY HANDLE (WITHOUT CABLE GLAND) ●		
	M20	511P0M20
	M25	511P0M25
	M32	511P0M32
METAL HANDLE METRIC THREAD ENTRY (WITHOUT CABLE GLAND) ●		
	M20	591P0M20
	M25	591P0M25
	M32	591P0M32

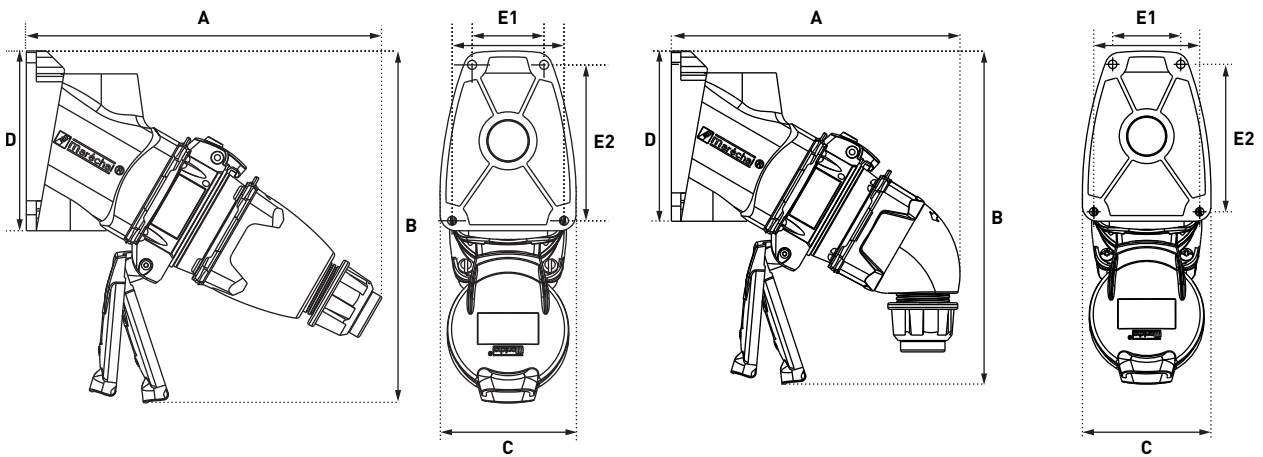
DRAWINGS AND DIMENSIONS

PLUG ON SOCKET-OUTLET



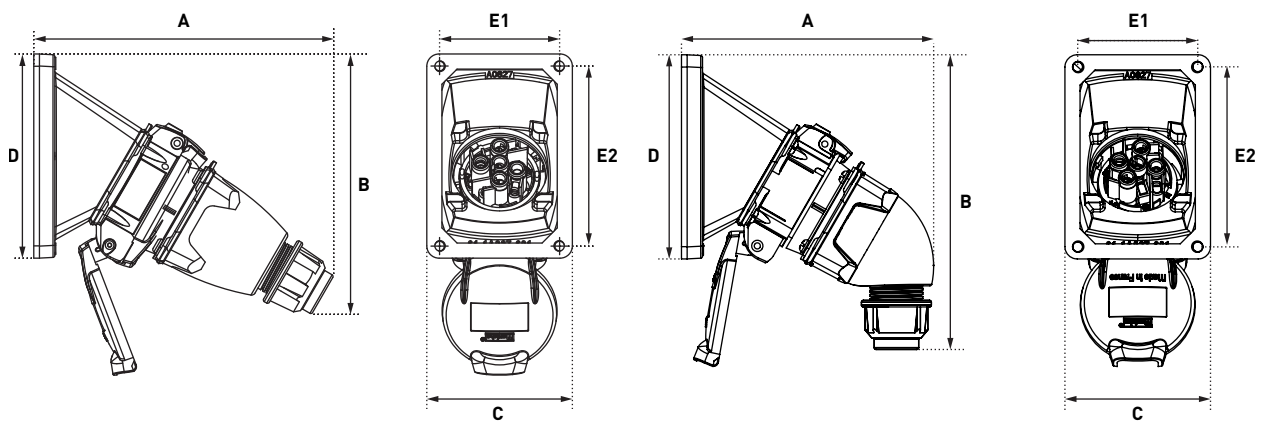
	A	B	C	E
Straight handle	127	140	58	42
Angled handle	117	138	61	42

PLUG ON 30° WALL MOUNTED SOCKET OUTLET



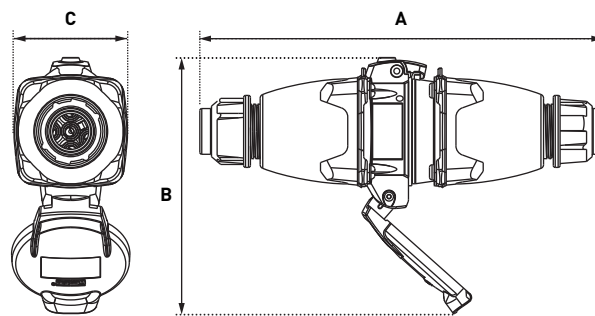
	A	B	B	D	E1	E2
Straight handle	178	176	68	90	36/56	78
Angled handle	153	176	68	90	36/56	78

PLUG ON 30° INCLINED SOCKET-OUTLET



	A	B	C	D	E1	E2
Straight handle	160	170	77	108	63	95
Angled handle	133	165	77	108	63	95

COUPLER



	A	B	C
Straight handle	208	132	58

7 CONTACTS

50 A

500 V
U_{MAXI}

DECONTACTOR™ DS7C3



IP66
IP67



2,5-6 mm² (1)
2,5-10 mm² (2)



GRP
METAL



IK09



-40 °C
+60 °C



AC-22
AC-23



60309-1
60309-4
60947-3



3 AUX.



EMC
METAL

(1) Flexible wiring (min.-max.).
(2) Stranded wiring (min.-max.).

LOAD-BREAK CAPABILITY OF THE DECONTACTOR™

Comply with IEC/EN 60309-1 standards	50 A/500 V
Load-break capability according to IEC/EN 60947-3/AC-22	50 A/500 V

OTHER FEATURES

Terminals wiring	screw-type
Flexible and stranded wiring (min.-max.)	2,5-10 mm ²



SOCKET-OUTLET
female
DS7c3



INLET male
DS7c3



50 A/max 500 V AC	6P+E	3934561	3938561
50 A/max 500 V AC Auxiliaries 10 A/400 V	6P+E+3 aux.	3934561972	3938561972












SOCKET-OUTLET
female
DS7c3









INLET male
DS7c3






50 A/max 500 V AC	6P+E	3934561	3938561
50 A/max 500 V AC Auxiliaries 10 A/400 V	6P+E+3 aux.	3934561972	3938561972

OPTIONS	Reference
LOCKING PIN FOR 2 PADLOCKS Ø 4 TO 8 mm (PADLOCKS NOT SUPPLIED)	
	Socket-outlet ref. +843
SAFETY HASP FOR UP TO 6 PADLOCKS	
	399A541
LARGER RELEASE BUTTON	
	Ref. socket +453
INLET CAP IP66/IP67	
	316A426
IN-LINE CONNECTIONS (A PAIR OF FINGER DRAW PLATES TO AID CLOSING)	
	316A346
IP40 SELF RETURNING LID (MANUAL CLOSING)	
	Ref. socket poly + R
IP55 METAL LOCKABLE SELF-CLOSING LID FOR INLET	
	396A226
ELECTROMAGNETIC COMPATIBILITY (EMC) ●	NEW
	Please order a metal threaded accessory herewith, together with a EMC cable gland to be found on page 318.
SELF-EJECTION	
	See page 192




HANDLE	Input/Cable outer Ø	Reference	Self-ejection
ELASTOMER HANDLE WITH GLAND			
	18-25 mm	554P0D25L	Ref. +443
	25-35 mm	554P0D35L	Ref. +443
	35-45 mm	554P0D45L	Ref. +443
	45-49 mm	554P0D49L	Ref. +443
POLY HANDLE WITH GLAND			
	13-35 mm	514P0D35	/
POLY HANDLE + POLY CABLE GLAND			
	14-25 mm	514P032P	Ref. +443
	18-32 mm	514P040P	Ref. +443
	24-38 mm	514P050P	Ref. +443
POLY HANDLE (WITHOUT CABLE GLAND)			
	M32	514P0M32	Ref. +443
	M40	514P0M40	Ref. +443
	M50	514P0M50	/
METAL HANDLE METRIC THREAD ENTRY (WITHOUT CABLE GLAND) ●			
	M25	594P0M25	/
	M32	594P0M32	/
	M40	594P0M40	/
	M50	594P0M50	/

HANDLE	Input/Cable outer Ø	Reference
METAL HANDLE WITH METAL GLAND (+ EARTHING WIRE) ●		
	8-16 mm	594P025M
	16-24 mm	594P032M
	22-32 mm	594P040M
	34-44 mm	594P050M

BOXES	△ x°	Input	Reference
POLY BOX			
	30°	M32	514B3M32
	30°	M40	514B3M40
METAL BOX (+ EARTHING WIRE) ●			
	20°	M25	594B2M25
	20°	M32	594B2M32
	20°	M40	594B2M40
POLY BOX + POLY SLEEVE			
	70°	Without hole	514C7000
	70°	Ø 32 mm drill hole	514C7M32
Earth bar ref. : 51AA089	70°	Ø 40 mm drill hole	514C7M40

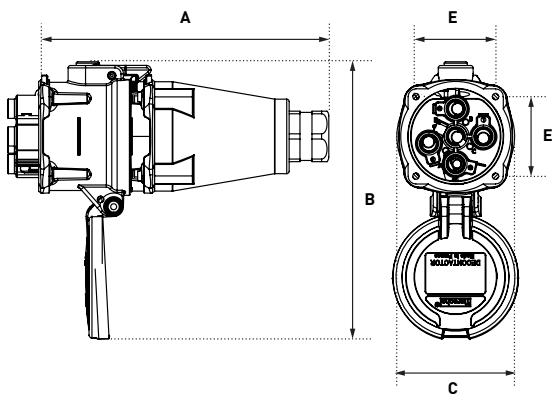
METAL BOX (+ EARTHING WIRE) + POLY SLEEVE			
	30°	M25	514C3M25
	30°	M32	514C3M32
	30°	M40	514C3M40
	30°	M50	514C3M50
METAL BOX (+ EARTHING WIRE) + METAL SLEEVE ●			
	30°	M25	594C3M25
	30°	M32	594C3M32
	30°	M40	594C3M40
	30°	M50	594C3M50
	0° (Straight)	M25	594C0M25
	0° (Straight)	M32	594C0M32
	0° (Straight)	M40	594C0M40
	0° (Straight)	M50	594C0M50
	70°	M25	594C7M25
	70°	M32	594C7M32
	70°	M40	594C7M40
	70°	M50	594C7M50

Cable glands are not delivered with the boxes.

SLEEVE	△ x°	Reference	
		POLY	METAL ●
	0° (Straight)	/	594M0
	30°	514M3	594M3
	70°	514M7	594M7

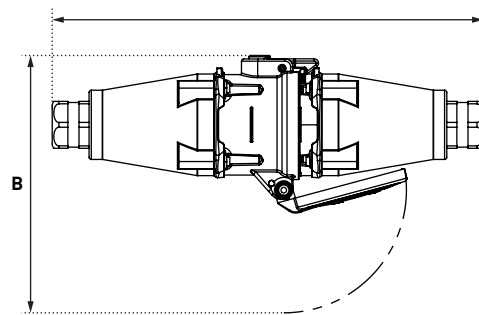
DRAWINGS AND DIMENSIONS

PLUG ON SOCKET-OUTLET



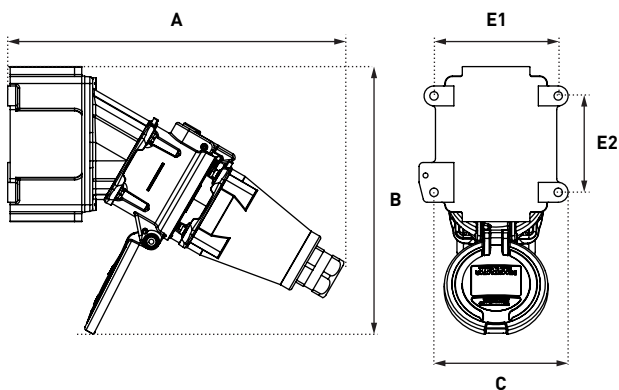
A	B	C	E
203	175	95	66

COUPLER



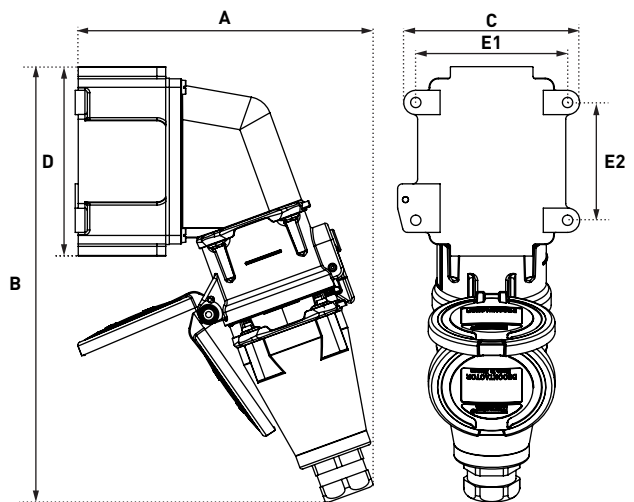
A	B
309	127

PLUG ON 30° WALL MOUNTED SOCKET OUTLET



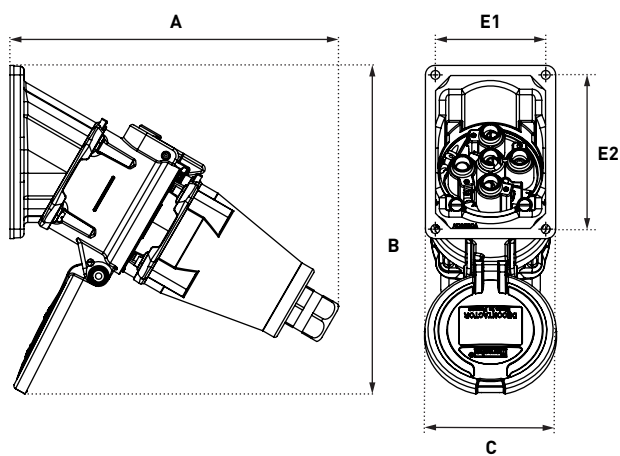
A	B	C	E1	E2
260	260	105	88	122

PLUG ON 70° WALL-MOUNTED SOCKET-OUTLET



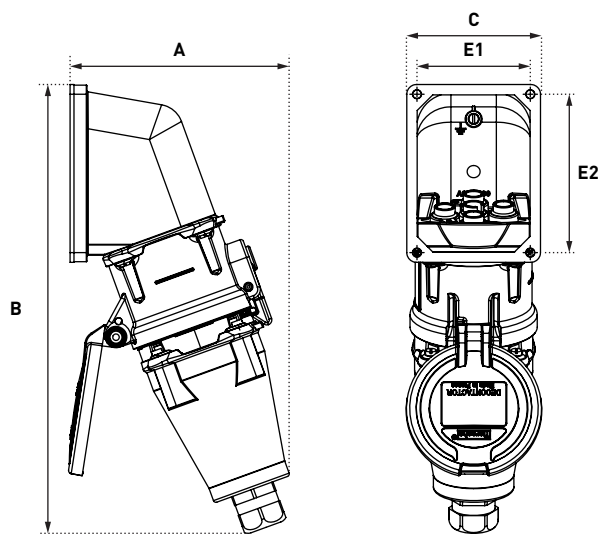
A	B	C	D	E1	E2
242	333	178	166	157	146

PLUG ON 30° INCLINED SOCKET-OUTLET



A	B	C	D	E1	E2
279	257	102	136	88	122

PLUG ON 70° INCLINED SOCKET-OUTLET



A	B	C	E1	E2
169	346	104	88	88



7 CONTACTS

100 A

500 V
U MAXI

CONNECTOR DS7C6



IP66
IP67



10-25 mm² (1)
10-35 mm² (2)



GRP
METAL



IK09



-40 °C
+60 °C



6 AUX.



EMC
METAL

(1) Flexible wiring (min.-max.).
(2) Stranded wiring (min.-max.).

OTHER FEATURES

Terminals wiring	screw-type
Stranded or flexible auxiliary wiring (min.-max.)	2 mm ²



Finger drawplates
included



SOCKET-OUTLET
female
DS7c6



INLET male
DS7c6



100 A/max 500 V AC	6P+E	3164561	3168561
Auxiliaries 10A/500 V AC	+ 2 contacts	Ref. + 262	Ref. + 262
Auxiliaries 10A/500 V AC	+ 4 contacts	Ref. + 264	Ref. + 264
Auxiliaries 10A/500 V AC	+ 6 contacts	Ref. + 976	Ref. + 976



SOCKET-OUTLET
female
DS7c6






INLET male
DS7c6










100 A/max 500 V AC	6P+E	3964561	3968561
Auxiliaries 10A/500 V AC	+ 2 contacts	Ref. + 262	Ref. + 262
Auxiliaries 10A/500 V AC	+ 4 contacts	Ref. + 264	Ref. + 264
Auxiliaries 10A/500 V AC	+ 6 contacts	Ref. + 976	Ref. + 976




OPTIONS	Reference
LOCKING PIN FOR 2 PADLOCKS Ø 4 TO 8 mm (PADLOCKS NOT SUPPLIED)	
 Socket-outlet ref. +843	
SAFETY HASP FOR UP TO 6 PADLOCKS	
 399A541	
LARGER RELEASE BUTTON	
 Ref. socket +453	
INLET CAP IP66/IP67	
 316A426	
IP40 SELF RETURNING LID (MANUAL CLOSING)	
 Ref. socket poly + R	
IP55 METAL LOCKABLE SELF-CLOSING LID FOR INLET	
 396A226	
ELECTROMAGNETIC COMPATIBILITY (EMC) ●	NEW
 Please order a metal threaded accessory herewith, together with a EMC cable gland to be found on page 318.	

HANDLE	Input/ Cable outer Ø	Reference
ELASTOMER HANDLE WITH GLAND		
	18-25 mm	554P0D25L
	25-35 mm	554P0D35L
	35-45 mm	554P0D45L
	45-49 mm	554P0D49L
POLY HANDLE WITH GLAND		
	13-35 mm	514P0D35
POLY HANDLE + POLY CABLE GLAND		
	14-25 mm	514P032P
	18-32 mm	514P040P
	24-38 mm	514P050P
POLY HANDLE (WITHOUT CABLE GLAND)		
	M32	514P0M32
	M40	514P0M40
	M50	514P0M50
METAL HANDLE METRIC THREAD ENTRY (WITHOUT CABLE GLAND) ●		
	M25	594P0M25
	M32	594P0M32
	M40	594P0M40
	M50	594P0M50

HANDLE	Input/Cable outer Ø	Reference
METAL HANDLE WITH METAL GLAND (+ EARTHING WIRE) ●		
	8-16 mm	594P025M
	16-24 mm	594P032M
	22-32 mm	594P040M
	34-44 mm	594P050M

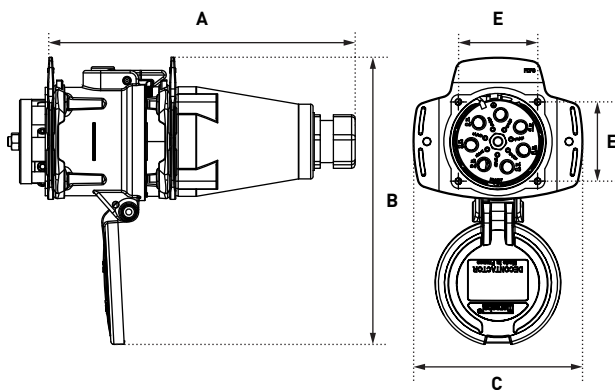
BOXES	∠ x°	Input	Reference
POLY BOX			
	30°	M32	514B3M32
	30°	M40	514B3M40
METAL BOX (+ EARTHING WIRE) ●			
	20°	M25	594B2M25
	20°	M32	594B2M32
	20°	M40	594B2M40
POLY BOX + POLY SLEEVE			
	70°	Without hole	514C7000
	70°	Ø 32 mm drill hole	514C7M32
Earth bar ref. : 51AA089	70°	Ø 40 mm drill hole	514C7M40
METAL BOX (+ EARTHING WIRE) + POLY SLEEVE			
	30°	M25	514C3M25
	30°	M32	514C3M32
	30°	M40	514C3M40
	30°	M50	514C3M50
METAL BOX (+ EARTHING WIRE) + METAL SLEEVE ●			
	30°	M25	594C3M25
	30°	M32	594C3M32
	30°	M40	594C3M40
	30°	M50	594C3M50
	0° (Straight)	M25	594C0M25
	0° (Straight)	M32	594C0M32
	0° (Straight)	M40	594C0M40
	0° (Straight)	M50	594C0M50
	70°	M25	594C7M25
	70°	M32	594C7M32
	70°	M40	594C7M40
	70°	M50	594C7M50

Cable glands are not delivered with the boxes.

SLEEVE	∠ x°	Reference	
		POLY	METAL ●
	0° (Straight)	/	594M0
	30°	514M3	594M3
	70°	514M7	594M7

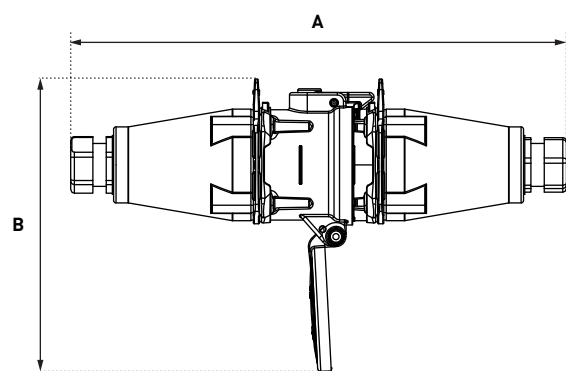
DRAWINGS AND DIMENSIONS

PLUG ON SOCKET-OUTLET



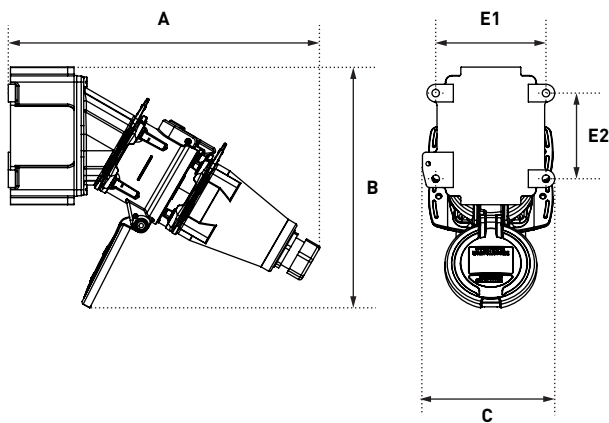
A	B	C	E
257	238	141	66

COUPLER



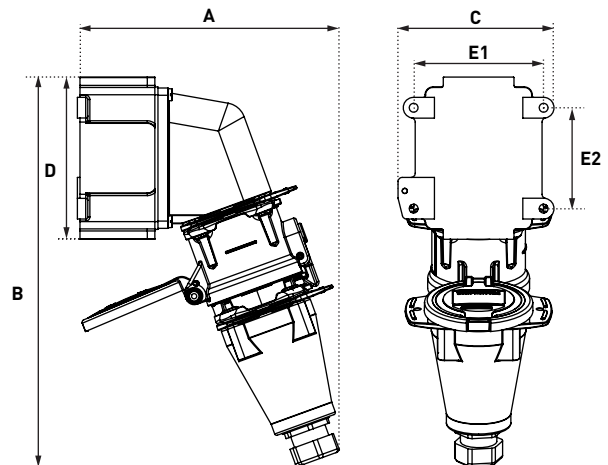
A	B
404	238

PLUG ON 30° WALL MOUNTED SOCKET OUTLET



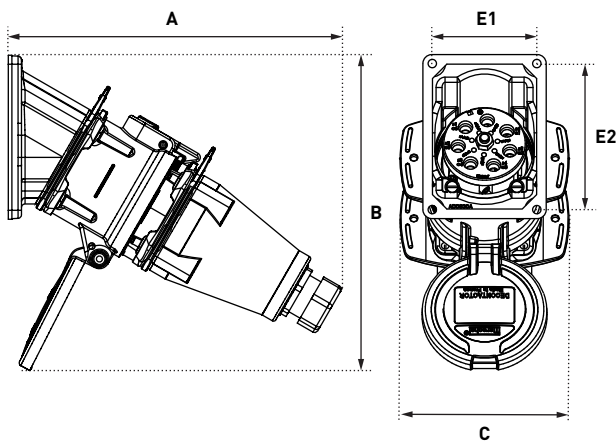
A	B	C	E1	E2
353	273	150	125	97

PLUG ON 70° WALL-MOUNTED SOCKET-OUTLET



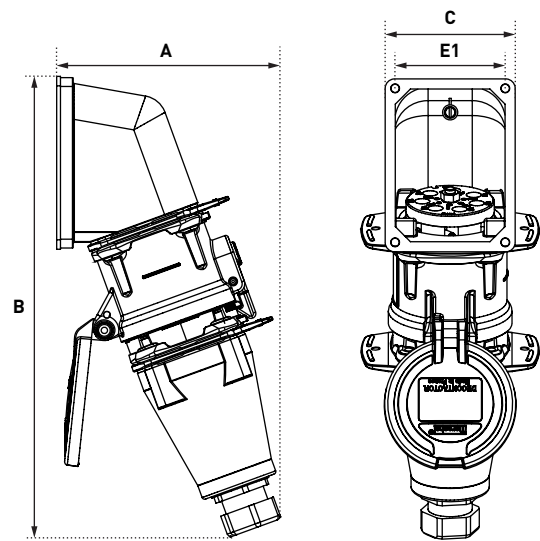
A	B	C	D	E1	E2
252	374	145	156	125	97

PLUG ON 30° INCLINED SOCKET-OUTLET

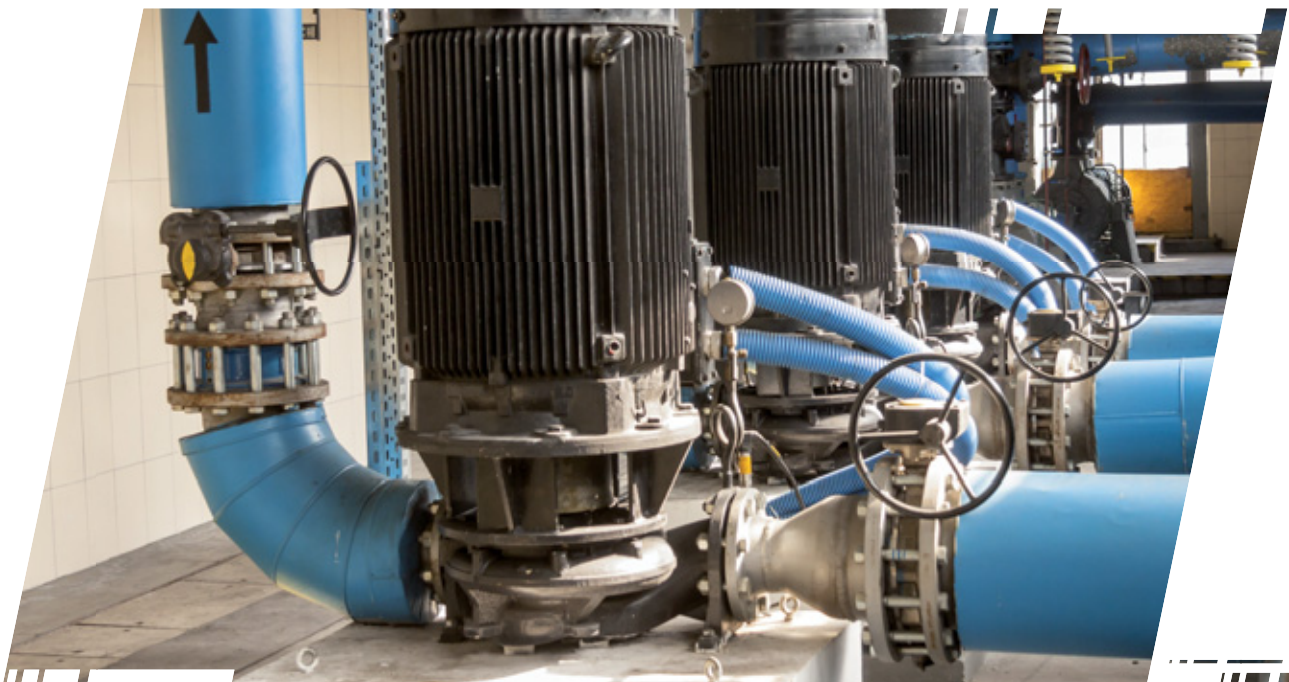


A	B	C	E1	E2
278	263	141	87	122

PLUG ON 70° INCLINED SOCKET-OUTLET



A	B	C	E1	E2
177	365	141	87	122



9 CONTACTS

30 A

415 V
U_{MAXI}

MULTICONTACTS CONNECTORS DN9C



IP54
IP55



1-6 mm² ⁽¹⁾
1,5-10 mm² ⁽²⁾



METAL



IK09



-40 °C
+60 °C



EMC

⁽¹⁾ Flexible wiring (min.-max.).
⁽²⁾ Stranded wiring (min.-max.).

OTHER FEATURES

IP protection plug connected	IP54
IP protection lid closed	IP55
∑ of currents (contacts)	≤ 210 A
Terminals wiring	screw-type

SOCKET-OUTLET
female
DN9c



INLET male
DN9c



415 V AC






8P+E


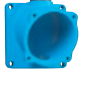




1914081

1918081



► The contacts can be assigned either power or signal.

OPTIONS	Reference
LOCKING PIN FOR 3 PADLOCKS Ø 4 TO 8 mm (PADLOCKS NOT SUPPLIED)	
	Ref. + 844
LARGER RELEASE BUTTON	
	Ref. socket + 453
INLET CAP	
	191A126
180° OPENING LID	
	Ref. socket + 10
IP40 SELF RETURNING LID (MANUAL CLOSING)	
	Socket-outlet ref.+R
180° OPENING + SELF-RETURNING LID	
	Ref. socket + 18
IP66/IP67 SOCKET-OUTLET AND INLET	
	Ref. + 600
ELECTROMAGNETIC COMPATIBILITY (EMC) ●	NEW
	Please order a metal threaded accessory herewith, together with a EMC cable gland to be found on page 318.
PRODUCT WITH ANTI-BACTERIAL TREATMENT ●	NEW
	This sticker means that the product is also available with an antibacterial treatment. Add the suffix AG to the reference. For more information on anti-bacterial treated handles please consult us.

HANDLE	Input/ Cable outer Ø	Ref.
POLY HANDLE WITH GLAND ●		
	10-30 mm	513P0D30
POLY HANDLE + POLY CABLE GLAND ●		
	9-18 mm	513P025P
	14-25 mm	513P032P
	18-32 mm	513P040P
METAL HANDLE WITH METAL GLAND (+ EARTHING WIRE)		
	7-13 mm	593P020M
	8-16 mm	593P025M
	16-24 mm	593P032M
	22-32 mm	593P040M
POLY HANDLE (WITHOUT CABLE GLAND)		
	M20	513P0M20
	M25	513P0M25
	M32	513P0M32
	M40	513P0M40
METAL HANDLE METRIC THREAD ENTRY (WITHOUT CABLE GLAND) ●		
	M20	593P0M20
	M25	593P0M25
	M32	593P0M32
	M40	593P0M40

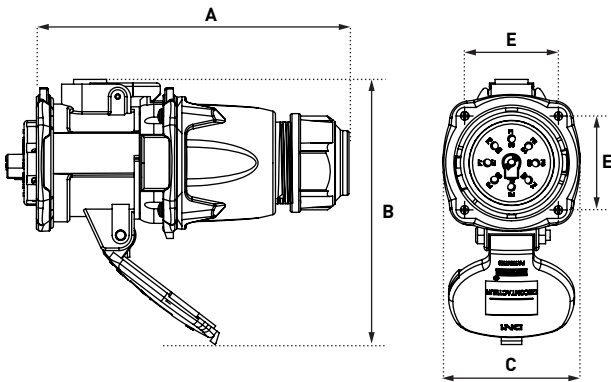
BOÎTIERS	∠x°	Input	Ref.
POLY BOX			
	30°	M25	513B3M25
METAL BOX (+ EARTHING WIRE) ●			
	20°	M20	593B2M20
	20°	M25	593B2M25
	20°	M32	593B2M32
POLY BOX + POLY SLEEVE			
	70°	Without hole	513C7000
	70°	Ø 25 mm drill hole	513C7M25
	70°	Ø 32 mm drill hole	513C7M32
	70°	Ø 40 mm drill hole	513C7M40
Earth bar ref. : 51AA089			
METAL BOX (+ EARTHING WIRE) + POLY SLEEVE			
	30°	M20	513C3M20
	30°	M25	513C3M25
	30°	M32	513C3M32
	30°	M40	513C3M40
METAL BOX (+ EARTHING WIRE) + METAL SLEEVE ●			
	30°	M20	593C3M20
	30°	M25	593C3M25
	30°	M32	593C3M32
	30°	M40	593C3M40
	0° (Straight)	M20	593C0M20
	0° (Straight)	M25	593C0M25
	0° (Straight)	M32	593C0M32
	0° (Straight)	M40	593C0M40
	70°	M20	593C7M20
	70°	M25	593C7M25
	70°	M32	593C7M32
	70°	M40	593C7M40

Cable glands are not delivered with the boxes.

SLEEVE	∠x°	Ref.
POLY SLEEVE		
	30°	513M3
	70°	513M7
METAL SLEEVE ●		
	0° (Straight)	593M0
	30°	593M3
	70°	593M7

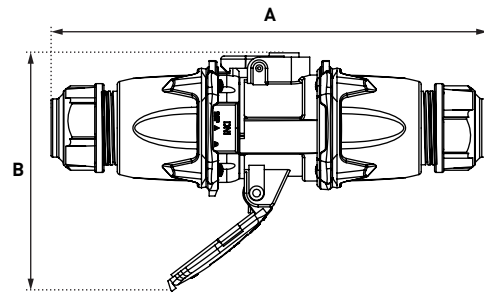
DRAWINGS AND DIMENSIONS

PLUG ON SOCKET-OUTLET



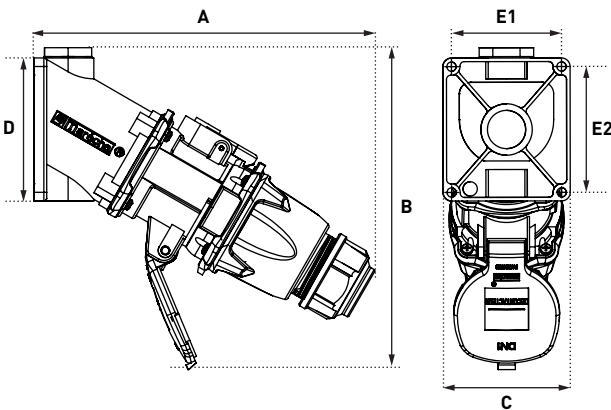
A	B	C	E
184	156	80	55

COUPLER



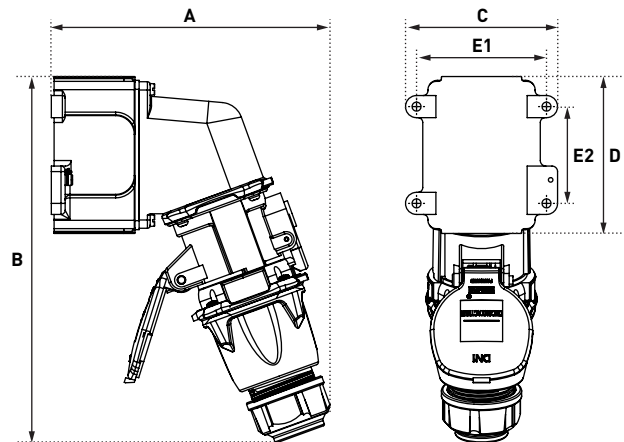
A	B
285	156

PLUG ON 30° WALL MOUNTED SOCKET OUTLET



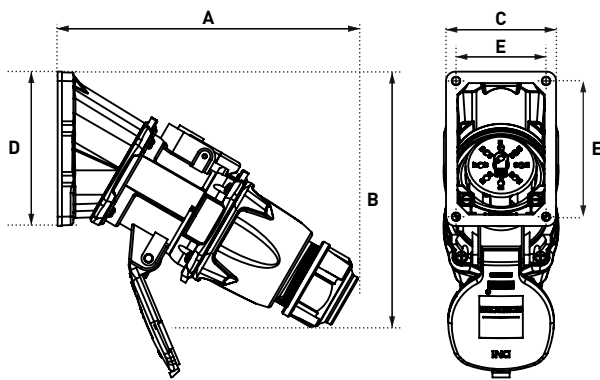
A	B	C	D	E1	E2
239	218	89	100	77	88

PLUG ON 70° WALL-MOUNTED SOCKET-OUTLET

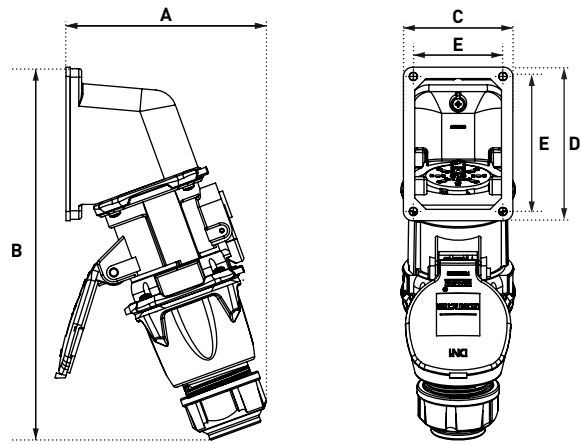


A	B	C	D	E1	E2
200	265	110	114	94	70

PLUG ON 30° INCLINED SOCKET-OUTLET



PLUG ON 70° INCLINED SOCKET-OUTLET



A	B	C	D	E1	E2
210	176	77	108	63	95

A	B	C	D	E1	E2
141	262	77	108	63	95



12 CONTACTS

16 A

480 V
U_{MAXI}

MULTICONTACT CONNECTORS PN12C



IP66
IP67



1-2,5 mm² (1)



GRP
METAL



IK09



-40 °C
+60 °C



EMC
METAL

(1) Flexible wiring (min.-max.).

OTHER FEATURES

Impulse withstand voltage	5 kV
Contact resistance	< 2 mΩ
Permitted current range	4-20 mA/16 A
∑ of currents (contacts)	≤ 110 A
Terminals wiring	To weld/crimp
Butt contacts	Silver-nickel tips
Contact protection	Silvering
Load cycles	> 5000 cycles
Vibrations	Frequency 5-1000 Hz, 1g/(90 minutes on each critical frequency) according to IEC 6068-2-6



For a black colour GRP housing replace the second reference character with 5 (GRP version only).

SOCKET-OUTLET

female
PN12C



INLET male
PN12C



GRP devices are not compatible with metal devices.

POLY	480 V AC	12 contacts	01A4001	01A8001
METAL	480 V AC	12 contacts	09A4001	09A8001

► Each product is supplied with 1 bag of 13 contacts, supplied with insulation sleeves and ferrules (see p.142 or the accessories page for more details).

OPTIONS	Reference
LOCKING OPTION FOR 1 PADLOCKS Ø 4mm (PADLOCK NOT SUPPLIED)	
	Ref. + 843
SCREW LOCKING IMPRINT BTR 2,5	
	Ref. + 22
INLET CAP IP66/IP67	
	01NA426
REVERSED INTERIOR AND CONTACTS	
 The connector is supplied with a rubber inlet cap.	Ref. conn. + 001 Ref. socket + 001
180° OPENING LID	
	Ref. socket + 10
IP40 SELF RETURNING LID (MANUAL CLOSING)	
	Socket-outlet ref.+R
180° OPENING + SELF-RETURNING LID	
	Ref. socket + 18

ELECTROMAGNETIC COMPATIBILITY (EMC)

NEW



Please order a metal threaded accessory herewith, together with a EMC cable gland to be found on page 318.

BAG OF 13 FEMALES CONTACTS

01AA213

BAG OF 13 MALES CONTACTS

01AA113






PRODUCTS AVAILABLE IN BLACK

The black dot means these products are also available in black color. Replace the second character of the product reference with 5

PRODUCT WITH ANTI-BACTERIAL TREATMENT
















NEW

This sticker means that the product is also available with an antibacterial treatment. Add the suffix AG to the reference. For more information on anti-bacterial treated handles please consult us.

SLEEVE	Reference
POLY SLEEVE	
 30°	511M3
 70°	511M7
METAL SLEEVE	
 0° (Straight)	591M0
 30°	591M3
 45°	591M4

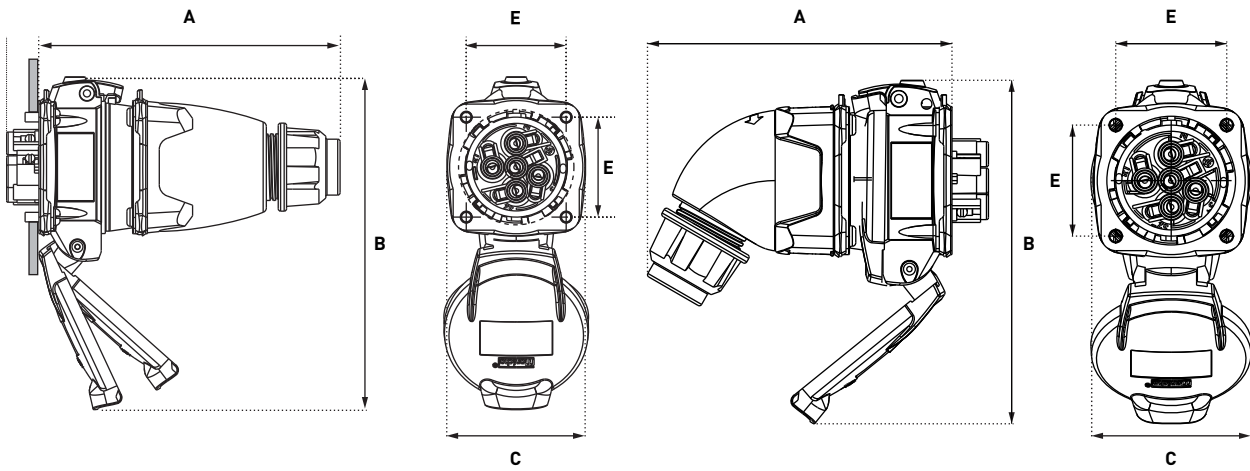
BOXES	Input	Ref.
POLY BOX		
 0° (Straight)	M20	511B0M20
 0° (Straight)	M25	511B0M25
 30°	M20	511B3M20
 30°	M25	511B3M25
POLY BOX + POLY SLEEVE		
 70° Without hole		511C7000
 70° Hole Ø 20		511C7M20
 70° Hole Ø 25		511C7M25
 70° Hole Ø 32		511C7M32
Earth bar ref. : 51AA089		
METAL BOX (+ EARTHING WIRE) + POLY SLEEVE		
 30°	M20	511C3M20
METAL BOX (+ EARTHING WIRE) + METAL SLEEVE		
 45°	M20	591C4M20
 45°	M25	591C4M25
 45°	M32	591C4M32

Cable glands are not delivered with the boxes.

HANDLE	Input/ Cable outer Ø	Ref.
POLY HANDLE WITH GLAND		
 9-18 mm		511P0D18
 5-21 mm		511P0D21
 60° 9-18 mm		511P6D18
POLY HANDLE + POLY CABLE GLAND		
 5-12 mm		511P020P
 9-18 mm		511P025P
 14-25 mm		511P032P
METAL HANDLE WITH METAL GLAND (+ EARTHING WIRE)		
 7-13 mm		591P020M
 8-16 mm		591P025M
 16-24 mm		591P032M
POLY HANDLE (WITHOUT CABLE GLAND)		
 M20		511P0M20
 M25		511P0M25
 M32		511P0M32
METAL HANDLE METRIC THREAD ENTRY (WITHOUT CABLE GLAND)		
 M20		591P0M20
 M25		591P0M25
 M32		591P0M32

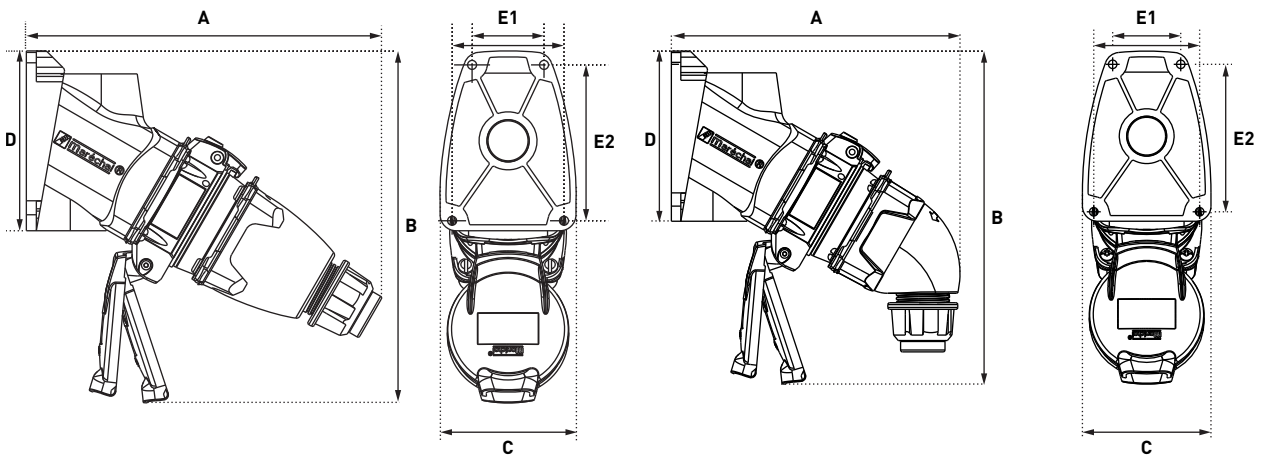
DRAWINGS AND DIMENSIONS

PLUG ON SOCKET-OUTLET



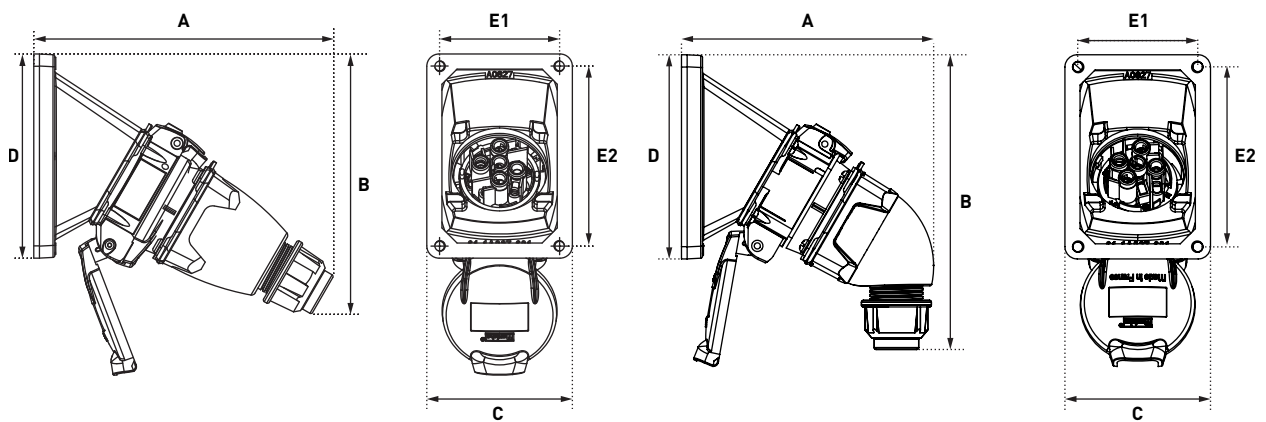
	A	B	C	E
Straight handle	127	140	58	42
Angled handle	117	138	61	42

PLUG ON 30° WALL MOUNTED SOCKET OUTLET



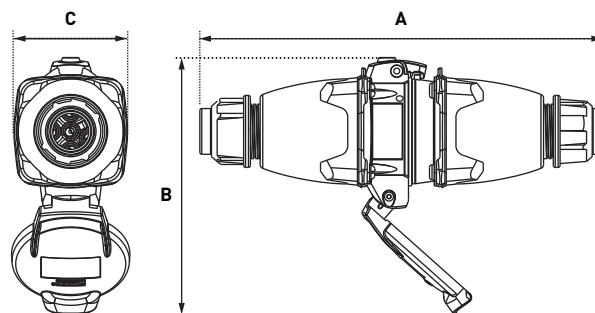
	A	B	B	D	E1	E2
Straight handle	178	176	68	90	36/56	78
Angled handle	153	176	68	90	36/56	78

PLUG ON 30° INCLINED SOCKET-OUTLET



	A	B	C	D	E1	E2
Straight handle	160	170	77	108	63	95
Angled handle	133	165	77	108	63	95

COUPLER



	A	B	C
Straight handle	208	132	58

12 CONTACTS

16 A

480 V
U MAXI

MULTICONTACT CONNECTORS DSN12C



IP66
IP67
IP69



1-2,5 mm² (1)



GRP



IK09



-40 °C
+60 °C

(1) Flexible wiring (min.-max.).

OTHER FEATURES

Impulse withstand voltage	5 kV
Contact resistance	< 2 mΩ
Permitted current range	4-20 mA/16 A
∑ des courants (contacts)	≤ 110 A
Terminals wiring	To weld/crimp
Butt contacts	Silver-nickel tips
Contact protection	Silvering
Load cycles	> 5000 cycles
Vibrations	Frequency 5-1000 Hz, 1g/(90 minutes on each critical frequency) according to IEC 6068-2-6

SOCKET-OUTLET

female
DSN12C



INLET male
DSN12C



For a black colour housing replace the second reference character with 5.









480 V AC

12 contacts

61A4001

61A8001





► Each product is supplied with 1 bag of 13 contacts, supplied with insulation sleeves and ferrules (voir p. 142 or the accessories page for more details).

OPTIONS	Reference
LOCKING PIN FOR 2 PADLOCKS Ø 4 TO 8 mm (PADLOCK NOT SUPPLIED)	
	Ref. + 843
LARGER RELEASE BUTTON	
	Ref. socket + 453
IN-LINE CONNECTIONS (A PAIR OF FINGER DRAW PLATES TO AID CLOSING)	
	611A346
INLET CAP IP66/IP67	
	611A426
IP40 SELF RETURNING LID (MANUAL CLOSING)	
	Socket-outlet ref.+R
SELF-EJECTION	
	See page 192
BAG OF 13 FEMALES CONTACTS	
	01AA213
BAG OF 13 MALES CONTACTS	
	01AA113
PRODUCTS AVAILABLE IN BLACK ●	

The black dot means these products are also available in black color. Replace the second character of the product reference with 5






PRODUCT WITH ANTI-BACTERIAL TREATMENT ● NEW

This sticker means that the product is also available with an antibacterial treatment. Add the suffix AG to the reference. For more information on anti-bacterial treated handles please consult us.

SLEEVE	$\angle x^\circ$	Reference
POLY SLEEVE ●		
	30°	511M3
	70°	511M7
METAL SLEEVE		
	0° (Straight)	591M0
	30°	591M3

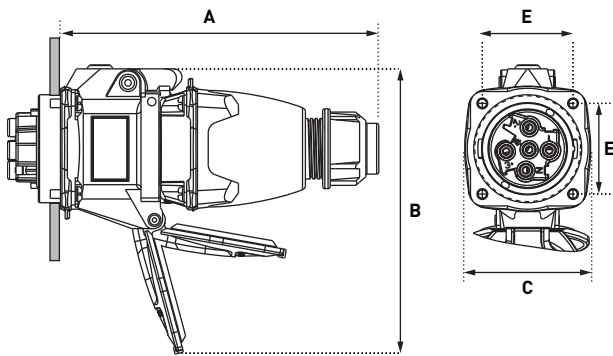
BOXES	$\angle x^\circ$	Input	Reference
POLY BOX ●			
	30°	M20	511B3M20
	30°	M25	511B3M25
POLY BOX + POLY SLEEVE (BLACK VERSION SEE ACCESSORIES DXN1 PAGE 239)			
	70°	Without hole	511C7000
	70°	Hole Ø 20	511C7M20
Earth bar ref. : 51AA089	70°	Hole Ø 25	511C7M25
	70°	Hole Ø 32	511C7M32
METAL BOX (+ EARTHING WIRE) + POLY SLEEVE			
	30°	M20	511C3M20

Cable glands are not delivered with the boxes.

HANDLE	Input/ Cable outer Ø	Reference	Self-ejection
POLY HANDLE WITH GLAND ●●			
	9-18 mm	511P0D18	/
	5-21 mm	511P0D21	/
	60° 9-18 mm	511P6D18	/
POLY HANDLE + POLY CABLE GLAND ●●			
	5-12 mm	511P020P	Ref. +443 (10-14 mm)
	9-18 mm	511P025P	Ref. +443 (12-18 mm)
	14-25 mm	511P032P	Ref. +443
POLY HANDLE (WITHOUT CABLE GLAND) ●			
	M20	511P0M20	/
	M25	511P0M25	/
	M32	511P0M32	/

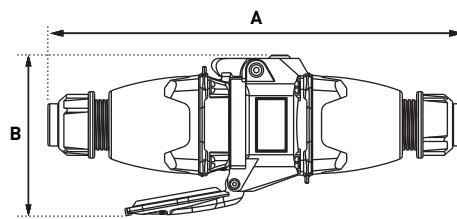
DRAWINGS AND DIMENSIONS

PLUG ON SOCKET-OUTLET



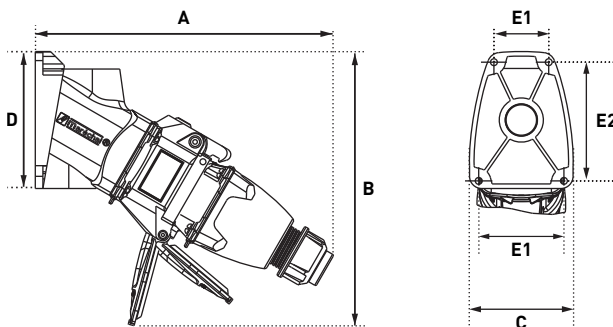
A	B	C	E
147	134	58	42

COUPLER



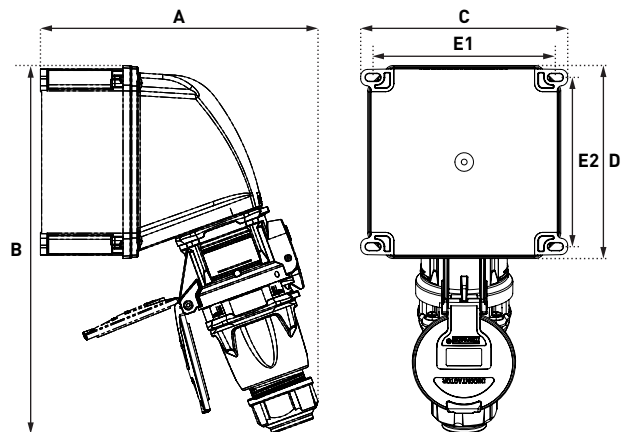
A	B
231	89

PLUG ON 30° WALL MOUNTED SOCKET OUTLET



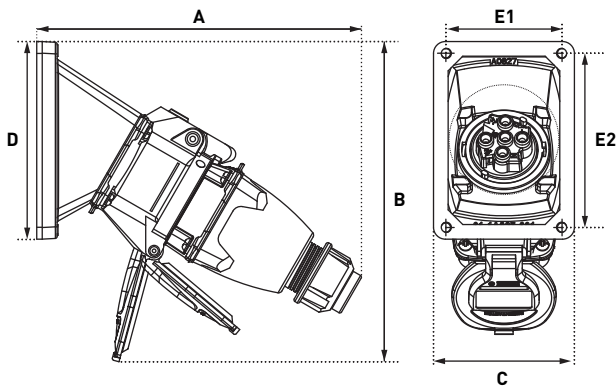
A	B	C	D	E1	E2
196	180	68	90	36/56	78

PLUG ON 70° WALL-MOUNTED SOCKET-OUTLET



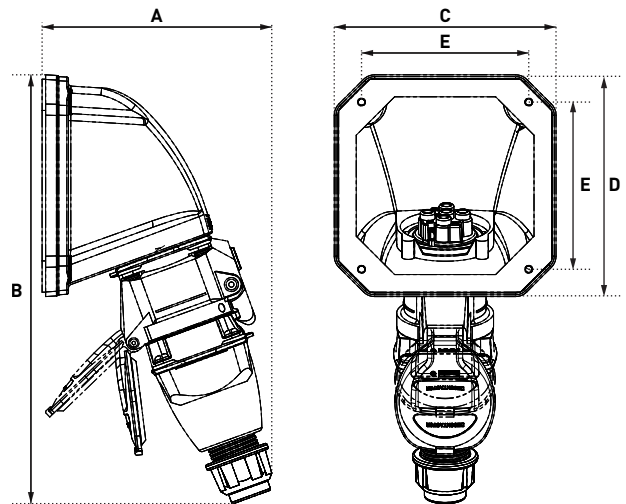
A	B	C	D	E1	E2
200	244	138	126	117	105.5

PLUG ON 30° INCLINED SOCKET-OUTLET

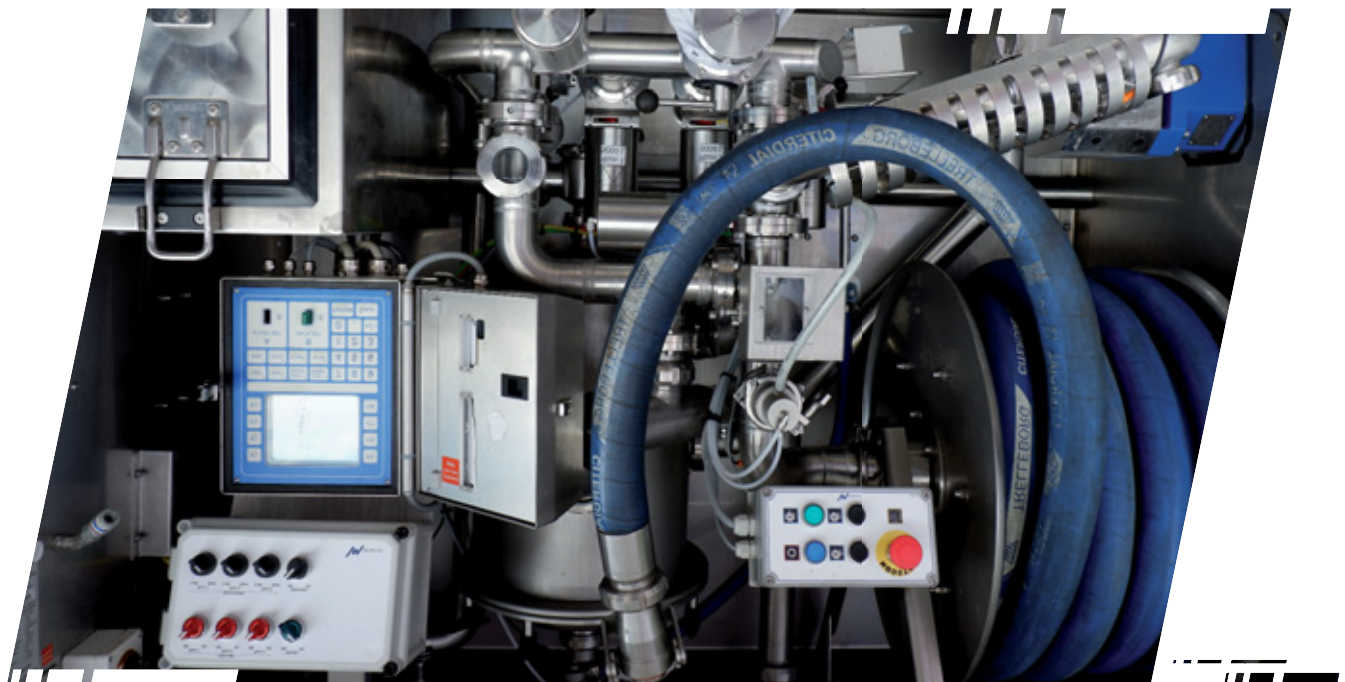


A	B	C	D	E1	E2
177	175	77	108	63.5	95

PLUG ON 70° INCLINED SOCKET-OUTLET



A	B	C	D	E
131	244	126	126	95



20 CONTACTS

25 A

415 V
U_{MAXI}

MULTICONTACT CONNECTORS DN20C



IP54
IP55



1-6 mm² ⁽¹⁾
1,5-10 mm² ⁽²⁾



METAL



IK09



-40 °C
+60 °C



EMC

[1] Flexible wiring (min.-max.).
[2] Stranded wiring (min.-max.).

OTHER FEATURES

IP protection plug connected	IP54
IP protection lid closed	IP55
∑ of currents (contacts)	≤ 350 A
Terminals wiring	screw-type

SOCKET-OUTLET
female
DN20c (25 A)



INLET male
DN20c (25 A)



415 V AC


19P+E


1964191

1968191



OPTIONS	Reference
LOCKING PIN FOR 3 PADLOCKS Ø 8 mm (PADLOCKS NOT SUPPLIED)	
	Ref. + 844
LARGER RELEASE BUTTON	
	Ref. socket + 453
INLET CAP	
	196A126
180° OPENING LID	
	Ref. socket + 10
IP40 SELF RETURNING LID (MANUAL CLOSING)	
	Socket-outlet ref.+R
180° OPENING + SELF-RETURNING LID	
	Ref. socket + 18
CLOSING MECHANISM	
	Draw lever only 196A376 Draw plate only 196A396
IP66/IP67 SOCKET-OUTLET AND INLET	
	Ref. + 600
ELECTROMAGNETIC COMPATIBILITY (EMC) ● NEW	
	Please order a metal threaded accessory herewith, together with a EMC cable gland to be found on page 318.
PRODUCT WITH ANTI-BACTERIAL TREATMENT ● NEW	
	This sticker means that the product is also available with an antibacterial treatment. Add the suffix AG to the reference. For more information on anti-bacterial treated handles please consult us.

HANDLE	Input/ Cable outer Ø	Reference
ELASTOMER HANDLE WITH GLAND		
	18-25 mm	555P0D25
	25-35 mm	555P0D35
	35-45 mm	555P0D45
	45-49 mm	555P0D49
POLY HANDLE + POLY CABLE GLAND ●		
	14-25 mm	515P032P
	18-32 mm	515P040P
	24-38 mm	515P050P
	35-48 mm	515P063P
METAL HANDLE WITH METAL GLAND (+ EARTHING WIRE)		
	16-24 mm	595P032M
	22-32 mm	595P040M
	34-44 mm	595P050M
	35-48 mm	595P063M
POLY HANDLE (WITHOUT CABLE GLAND)		
	M50	515P0M50
	M63	515P0M63



HANDLE	Input/ Cable outer Ø	Reference
METAL HANDLE METRIC THREAD ENTRY (WITHOUT CABLE GLAND) ●		
	M32	595P0M32
	M40	595P0M40
	M50	595P0M50
	M63	595P0M63

BOXES	∠x°	Input	Reference
METAL BOX (+ EARTHING WIRE) + POLY SLEEVE			
	30°	M32	515C3M32
	30°	M40	515C3M40
	30°	M50	515C3M50
	30°	M63	515C3M63

BOXES	∠x°	Input	Reference
METAL BOX (+ EARTHING WIRE) + METAL SLEEVE ●			
	30°	M32	595C3M32
	30°	M40	595C3M40
	30°	M50	595C3M50
	30°	M63	595C3M63
	0° (Straight)	M32	595C0M32
	0° (Straight)	M40	595C0M40
	0° (Straight)	M50	595C0M50
	0° (Straight)	M63	595C0M63
	70°	M32	595C7M32
	70°	M40	595C7M40
	70°	M50	595C7M50
	70°	M63	595C7M63

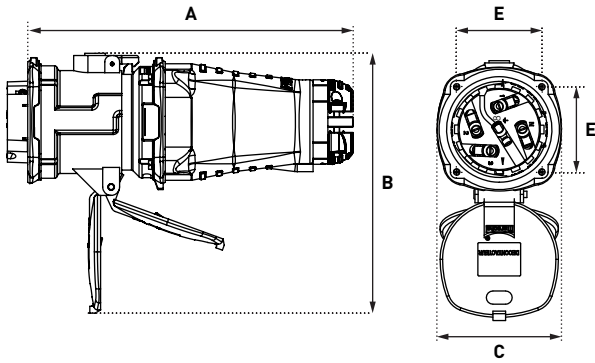
BOXES	∠x°	Input	Reference
METAL BOX (+ EARTHING WIRE) + METAL SLEEVE + CORNET ●			
	0° (Straight)	M50	595E0M50
	30°	M50	595E3M50
	30°	M63	595E3M63
	70°	M50	595E7M50
	70°	M63	595E7M63

Cable glands are not delivered with the boxes.

SLEEVE	∠x°	Reference
POLY SLEEVE		
	30°	515M3
METAL SLEEVE ●		
	0° (Straight)	595M0
	30°	595M3
	70°	595M7

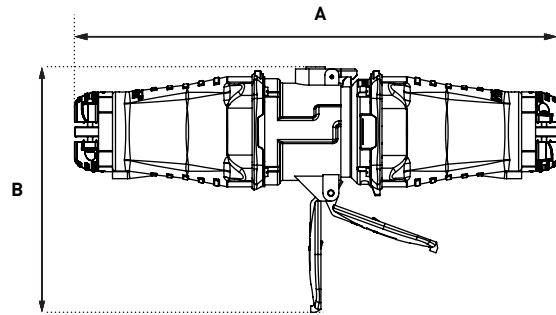
DRAWINGS AND DIMENSIONS

PLUG ON SOCKET-OUTLET



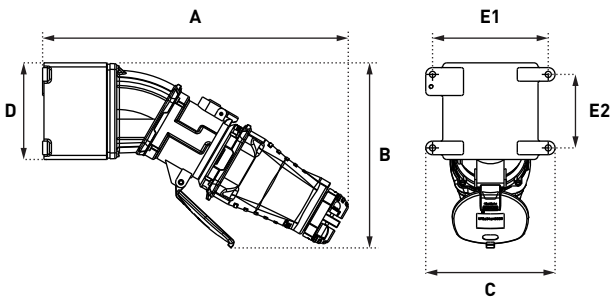
A	B	C	E
308	246	118	81

COUPLER



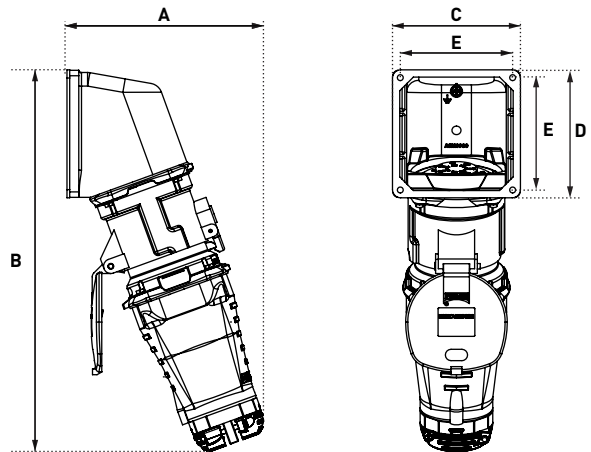
A	B
486	246

PLUG ON 30° WALL MOUNTED SOCKET OUTLET



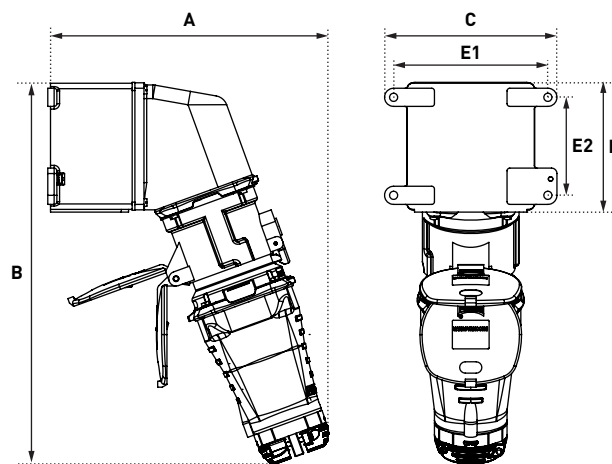
A	B	C	E1	E2
449	272	190	170	108

PLUG ON 70° INCLINED SOCKET OUTLET



A	B	C	D	E
217	421	141	141	124

PLUG ON 70° WALL MOUNTED SOCKET OUTLET



A	B	C	D	E1	E2
309	419	190	142	170	108



24 CONTACTS

16 A

480 V
U_{MAXI}

MULTICONTACT CONNECTORS DSN24C



IP66
IP67



1-2,5 mm² ⁽¹⁾



GRP



IK09



-40 °C
+60 °C

(1) Flexible wiring (min.-max.).

OTHER FEATURES

Impulse withstand voltage	5 kV
Contact resistance	< 2 mΩ
Permitted current range	4-20 mA/16 A
∑ of currents (contacts)	≤ 230 A
Terminals wiring	To weld/crimp
Butt contacts	Silver-nickel tips
Contact protection	Silvering
Load cycles	> 5000 cycles
Vibrations	Frequency 5-1000 Hz, 1g/(90 minutes on each critical frequency) according to IEC 6068-2-6

SOCKET-OUTLET

female
DSN24C



INLET male
DSN24C



For a black colour housing replace the second reference character with 5.








480 V AC

24 contacts

61B4002

61B8002

► Each product is supplied with 2 bags of 13 contacts, supplied with insulation sleeves and ferrules (voir p. 142 or the accessories page for more details).



OPTIONS	Reference
LOCKING PIN FOR 2 PADLOCKS Ø 4 TO 8 mm (PADLOCK NOT SUPPLIED)	
	Ref. + 843
LARGER RELEASE BUTTON	
	Ref. socket + 453
IN-LINE CONNECTIONS (A PAIR OF FINGER DRAW PLATES TO AID CLOSING)	
	613A346
INLET CAP IP66/IP67	
	613A426
IP40 SELF RETURNING LID (MANUAL CLOSING)	
	Socket-outlet ref.+R
BAG OF 13 FEMALES CONTACTS	
	01AA213
BAG OF 13 MALES CONTACTS	
	61CA113







PRODUCTS AVAILABLE IN BLACK ●

The black dot means these products are also available in black color. Replace the second character of the product reference with 5






PRODUCT WITH ANTI-BACTERIAL TREATMENT ●**NEW**

This sticker means that the product is also available with an antibacterial treatment. Add the suffix AG to the reference. For more information on anti-bacterial treated handles please consult us.

SLEEVE	$\angle x^\circ$	Reference
POLY SLEEVE ●		
	30°	512M3
	70°	512M7
METAL SLEEVE		
	0° (Straight)	592M0
	30°	592M3

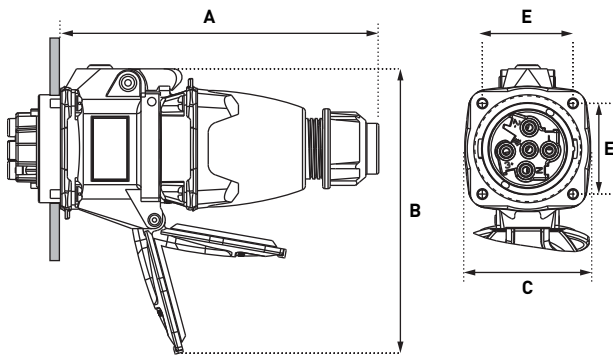
BOXES	$\angle x^\circ$	Input	Reference
POLY BOX ●			
	30°	M20	512B3M20
	30°	M25	512B3M25
METAL BOX (+ EARTHING WIRE)			
	20°	M20	592B2M20
	20°	M25	592B2M25
POLY BOX + POLY SLEEVE (BLACK VERSION SEE ACCESSORIES DXN3 PAGE 253)			
	70°	Without hole	512C7000
	70°	Ø 20 mm drill hole	512C7M20
	70°	Ø 25 mm drill hole	512C7M25
Earth bar ref. : 51AA089	70°	Ø 32 mm drill hole	512C7M32
	70°	Ø 40 mm drill hole	512C7M40
METAL BOX (+ EARTHING WIRE) + POLY SLEEVE			
	30°	M20	512C3M20
	30°	M25	512C3M25
	30°	M32	512C3M32
	30°	M40	512C3M40
METAL BOX (+ EARTHING WIRE) + METAL SLEEVE			
	30°	M20	592C3M20
	30°	M25	592C3M25
	30°	M32	592C3M32
	0° (Straight)	M20	592C0M20
	0° (Straight)	M25	592C0M25
	0° (Straight)	M32	592C0M32

Cable glands are not delivered with the boxes.

HANDLE	Input/ Cable outer Ø	Reference
POLY HANDLE WITH GLAND ●●		
	5-21 mm	512P0D21
POLY HANDLE + POLY CABLE GLAND ●●		
	5-12 mm	512P020P
	9-18 mm	512P025P
	14-25 mm	512P032P
	18-32 mm	512P040P
METAL HANDLE WITH METAL GLAND (+ EARTHING WIRE)		
	7-13 mm	592P020M
	8-16 mm	592P025M
	16-24 mm	592P032M
POLY HANDLE (WITHOUT CABLE GLAND) ●		
	M20	512P0M20
	M25	512P0M25
	M32	512P0M32
	M40	512P0M40
METAL HANDLE METRIC THREAD ENTRY (WITHOUT CABLE GLAND)		
	M20	592P0M20
	M25	592P0M25
	M32	592P0M32

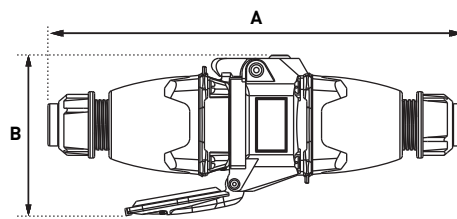
DRAWINGS AND DIMENSIONS

PLUG ON SOCKET-OUTLET



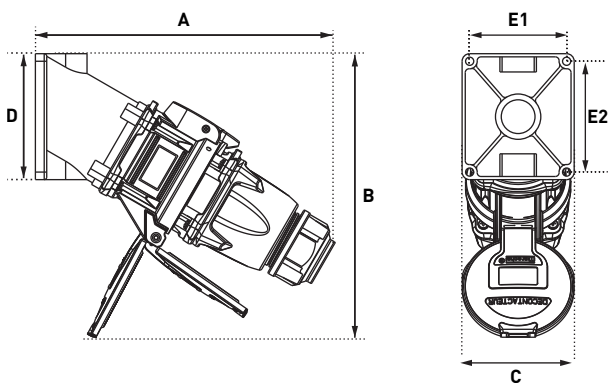
A	B	C	E
171	171	77	48

COUPLER



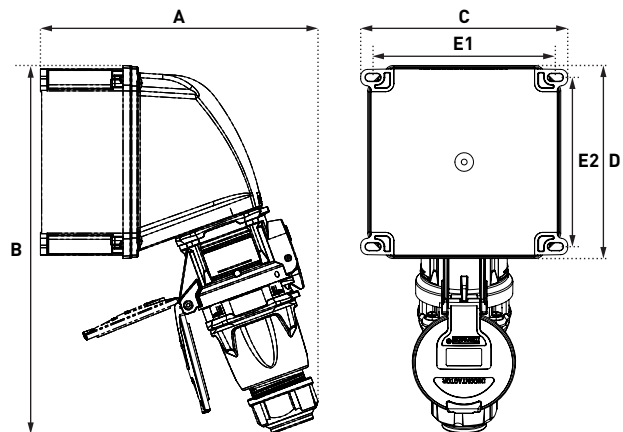
A	B
265	116

PLUG ON 30° WALL MOUNTED SOCKET OUTLET



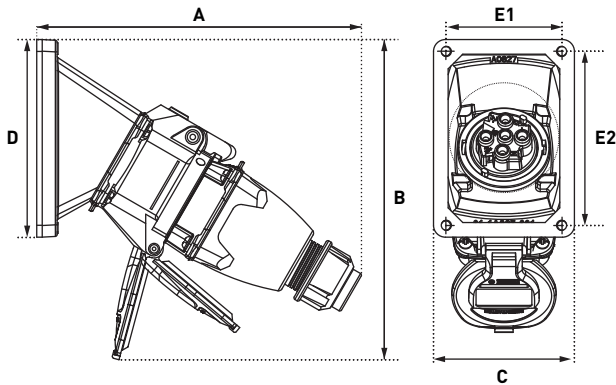
A	B	C	D	E1	E2
213	191	84	84	70	70

PLUG ON 70° WALL-MOUNTED SOCKET-OUTLET



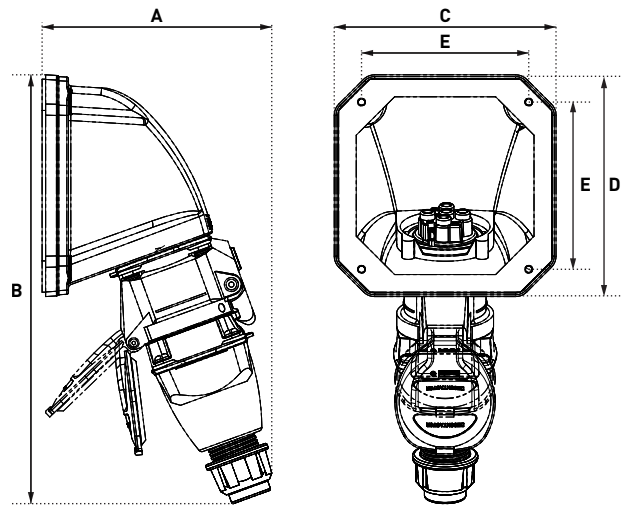
A	B	C	D	E1	E2
207	262	138	126	117	105.5

PLUG ON 30° INCLINED SOCKET-OUTLET



A	B	C	D	E1	E2
195	191	77	108	63	95

PLUG ON 70° INCLINED SOCKET-OUTLET



A	B	C	D	E
138	262	126	126	95

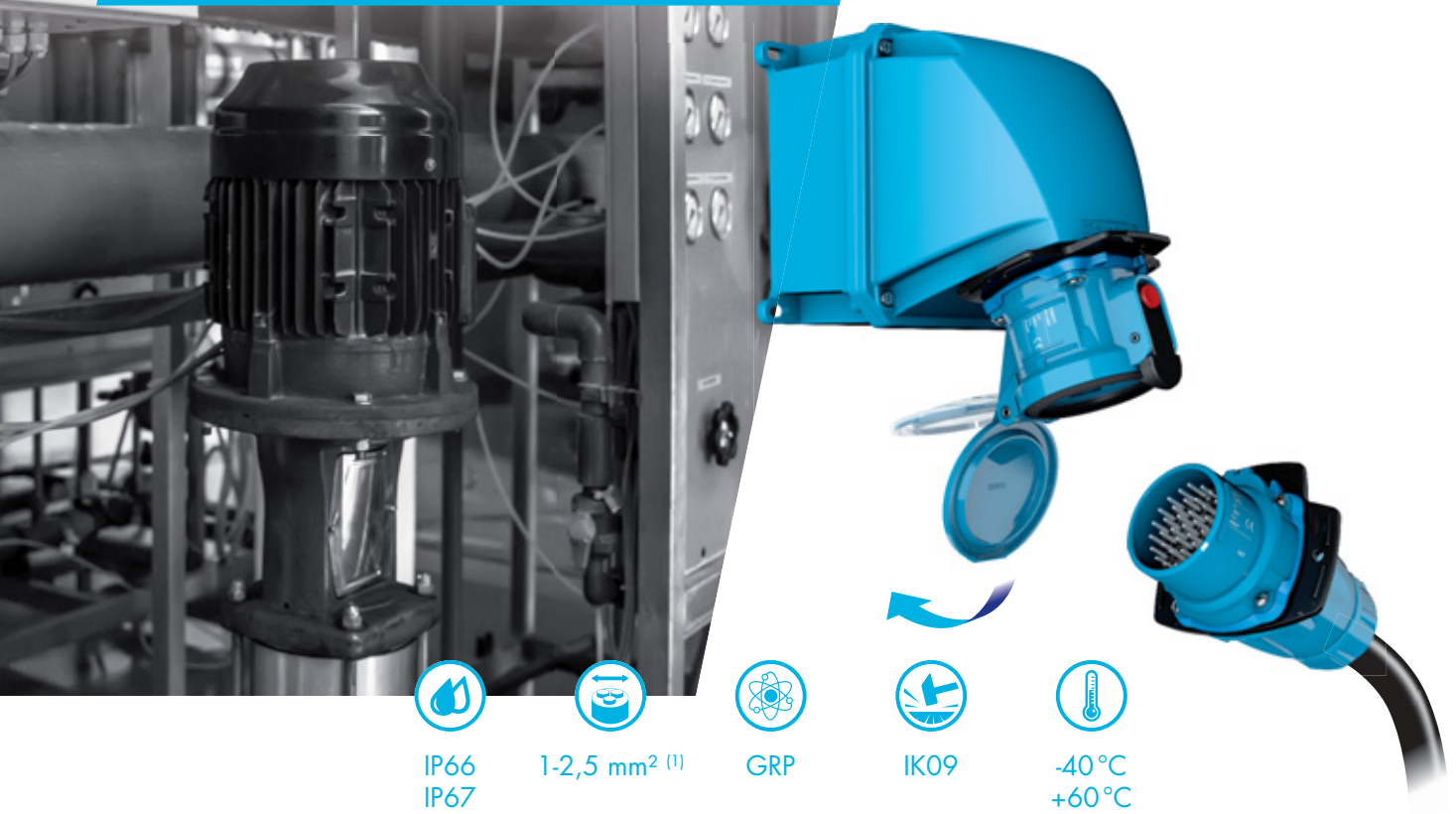


37 CONTACTS

16 A

480 V
U_{MAXI}

MULTICONTACT CONNECTORS DSN37C



IP66
IP67



1-2,5 mm² ⁽¹⁾



GRP



IK09



-40 °C
+60 °C

(1) Flexible wiring (min.-max.).



For metal versions,
contact us.

OTHER FEATURES

Impulse withstand voltage	5 kV
Contact resistance	< 2 mΩ
Permitted current range	4-20 mA/16 A
∑ of currents (contacts)	≤ 360 A
Terminals wiring	To weld/crimp
Butt contacts	Silver-nickel tips
Contact protection	Silvering
Load cycles	> 5000 cycles
Vibrations	Frequency 5-1000 Hz, 1g/(90 minutes on each critical frequency) according to IEC 6068-2-6

SOCKET-OUTLET

female
DSN37C











INLET male
DSN37C












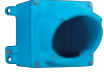


For a black colour
housing replace the second
reference character with 5.

480 V AC	37 contacts	61C4003	61C8003
----------	-------------	---------	---------






► Each product is supplied with 3 bags of 13 contacts, supplied with insulation sleeves and ferrules (voir p. 142 or the accessories page for more details).

OPTIONS	Reference
LOCKING PIN FOR 2 PADLOCKS Ø 4 TO 8 mm (PADLOCK NOT SUPPLIED)	
	Ref. + 843
LARGER RELEASE BUTTON	
	Ref. socket + 453
IN-LINE CONNECTIONS (A PAIR OF FINGER DRAW PLATES)	
	616A346
INLET CAP IP66/IP67	
	616A426
IP40 SELF RETURNING LID (MANUAL CLOSING)	
	Socket-outlet ref.+R
REVERSED INTERIOR AND CONTACTS	
	Ref. conn. + 001 Ref. socket + 001
BAG OF 13 FEMALES CONTACTS	
	01AA213
BAG OF 13 MALES CONTACTS	
	61CA113
PRODUCTS AVAILABLE IN BLACK ●	
The black dot means these products are also available in black color. Replace the second character of the product reference with 5	
PRODUCT WITH ANTI-BACTERIAL TREATMENT ●	NEW
This sticker means that the product is also available with an antibacterial treatment. Add the suffix AG to the reference. For more information on anti-bacterial treated handles please consult us.	

SLEEVE	x°	Reference
POLY SLEEVE ●		
	30°	513M3
	70°	513M7
METAL SLEEVE		
	0° (Straight)	593M0
	30°	593M3
	70°	593M7

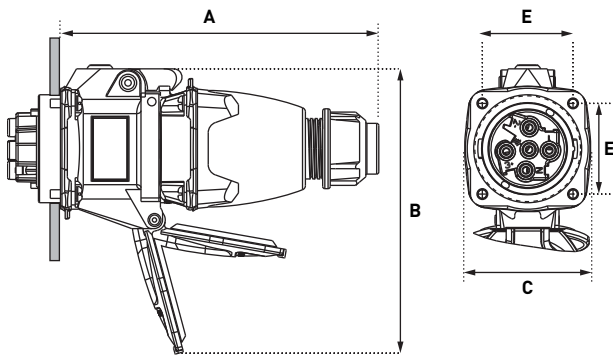
BOÎTIERS	x°	Input	Reference
POLY BOX ●			
	30°	M25	513B3M25
METAL BOX (+ EARTHING WIRE)			
	20°	M20	593B2M20
	20°	M25	593B2M25
	20°	M32	593B2M32
POLY BOX + POLY SLEEVE (BLACK VERSION SEE ACCESSORIES DXN6 PAGE 259)			
	70°	Without hole	513C7000
	70°	Ø 25 mm drill hole	513C7M25
Earth bar ref. : 51AA089	70°	Ø 32 mm drill hole	513C7M32
	70°	Ø 40 mm drill hole	513C7M40
METAL BOX (+ EARTHING WIRE) + POLY SLEEVE			
	30°	M20	513C3M20
	30°	M25	513C3M25
	30°	M32	513C3M32
	30°	M40	513C3M40
METAL BOX (+ EARTHING WIRE) + METAL SLEEVE			
	30°	M20	593C3M20
	30°	M25	593C3M25
	30°	M32	593C3M32
	30°	M40	593C3M40
	0° (Straight)	M20	593C0M20
	0° (Straight)	M25	593C0M25
	0° (Straight)	M32	593C0M32
	0° (Straight)	M40	593C0M40
	70°	M20	593C7M20
	70°	M25	593C7M25
	70°	M32	593C7M32
	70°	M40	593C7M40

Cable glands are not delivered with the boxes.

HANDLE	Input/ Cable outer Ø	Reference
POLY HANDLE WITH GLAND ●●		
	10-30 mm	513P0D30
POLY HANDLE + POLY CABLE GLAND ●●		
	9-18 mm	513P025P
	14-25 mm	513P032P
	18-32 mm	513P040P
METAL HANDLE WITH METAL GLAND (+ EARTHING WIRE)		
	7-13 mm	593P020M
	8-16 mm	593P025M
	16-24 mm	593P032M
	22-32 mm	593P040M
POLY HANDLE (WITHOUT CABLE GLAND) ●		
	M20	513P0M20
	M25	513P0M25
	M32	513P0M32
	M40	513P0M40
METAL HANDLE METRIC THREAD ENTRY (WITHOUT CABLE GLAND)		
	M20	593P0M20
	M25	593P0M25
	M32	593P0M32
	M40	593P0M40

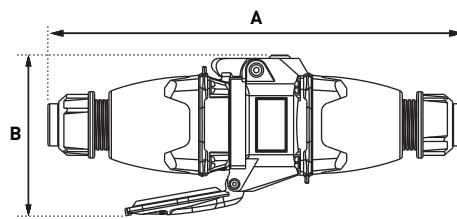
DRAWINGS AND DIMENSIONS

PLUG ON SOCKET-OUTLET



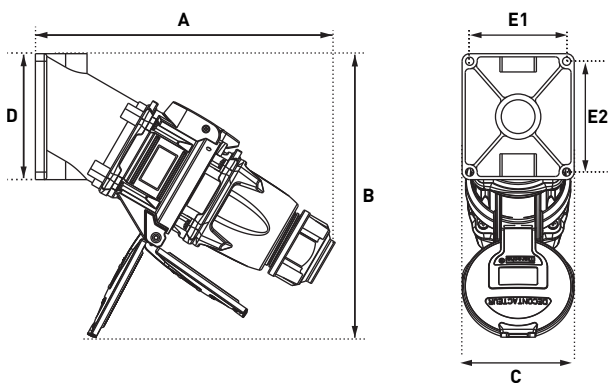
A	B	C	E
184	195	84	55

COUPLER



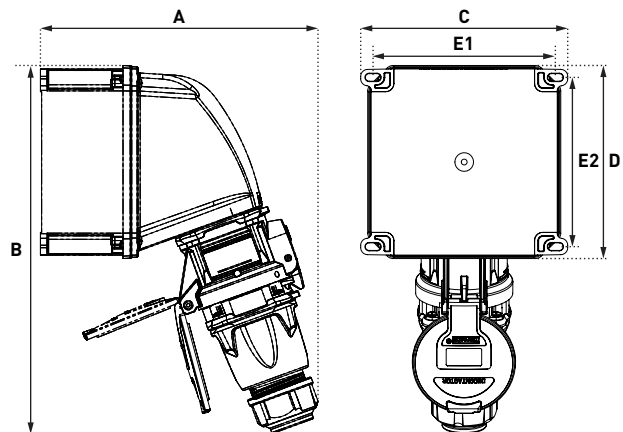
A	B
286	122

PLUG ON 30° WALL MOUNTED SOCKET OUTLET



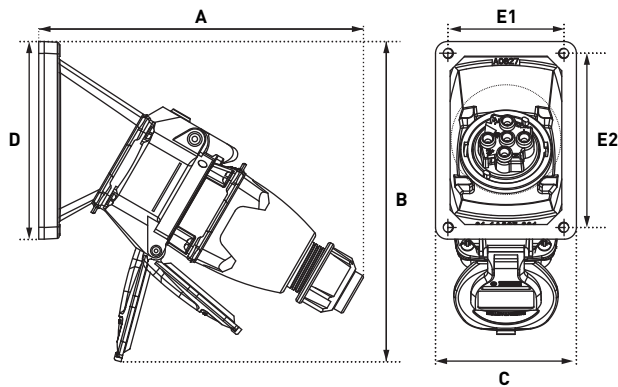
A	B	C	D	E1	E2
238	225	89	100	77	88

PLUG ON 70° WALL-MOUNTED SOCKET-OUTLET



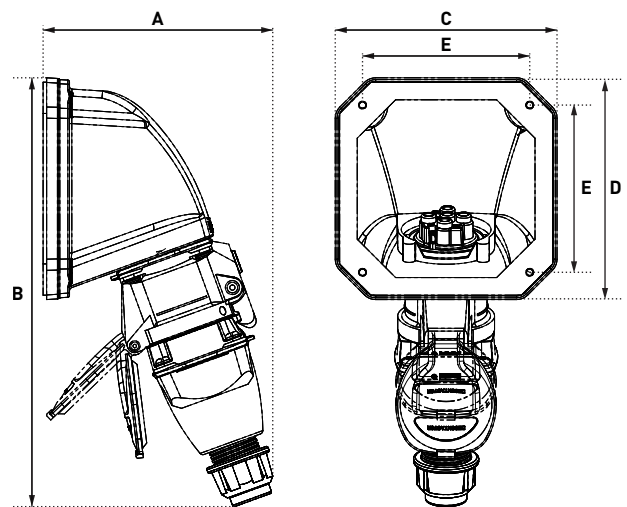
A	B	C	D	E1	E2
239	317	178	166	157	146

PLUG ON 30° INCLINED SOCKET-OUTLET



A	B	C	D	E1	E2
212	219	77	108	63	95

PLUG ON 70° INCLINED SOCKET-OUTLET



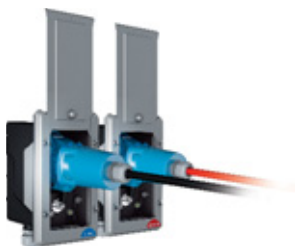
A	B	C	D	E
170	317	166	166	135



MOBILE APPLICATIONS

20 A

RETTBOX® ONE
WITH OR WITHOUT AIR



20 A/32 A

RETTBOX® S
WITH OR WITHOUT AIR



20 A » 150 A

SELF-EJECTION DECONTACTOR™



MODEL	CURRENT	U MAX AC	MAX NB OF CONTACTS	NB AUX./PIL. MAX
RETTBOX® ONE	20 A	440 V	4+E	3 AUX.
RETTBOX® S	20 A/32 A	440 V	4+E	2 AUX.
SELF-EJECTION DECONTACTOR™	««	Depending on reference	»»	
PN ANTI ENGINE START UP	30 A	250 V	2+E	2 AUX.
DISTRIBUTION BOXES	20 A » 90 A	400 V	4+E	4 AUX.

DOWNLOAD ALL TECHNICAL SHEETS ON OUR WEBSITE **MARECHAL.COM**

SAFE POWER SUPPLY FOR AUXILIARY CHARGING DEVICES

30 A

PN ANTI ENGINE START UP PLUG



20 A » 90 A

DISTRIBUTION BOXES



MOBILE APPLICATIONS

DECONTACTOR™

MATIÈRE

IP

COMPRESSED AIR SUPPLY OPTION

PAGE

Yes

POLY METAL

IP55

AIR Version

180

Yes

POLY

IP54

AIR Version

190

Yes

«« Depending on reference »»

No

192

/

POLY METAL

IP55

No

196

Yes

POLY METAL

IP66

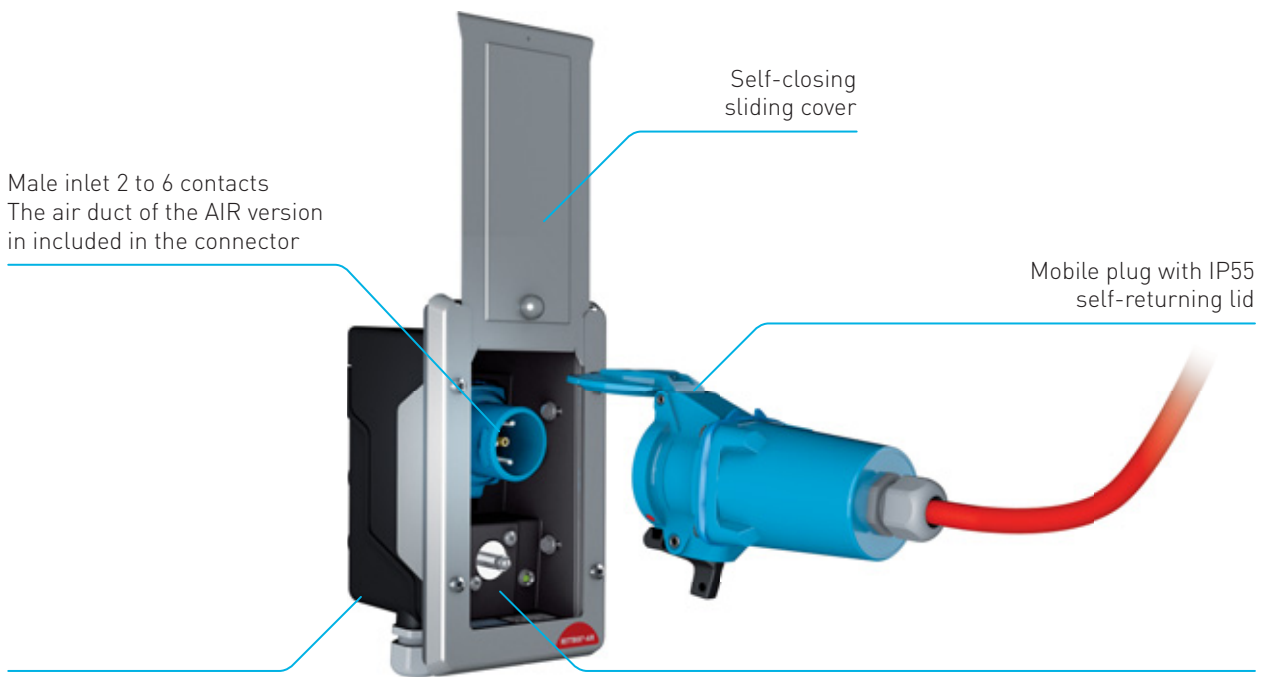
No

198

20 A/32 A

RETTBOX® ONE SERIES ELECTROMAGNETIC SELF-EJECTION

RETTBOX® ONE



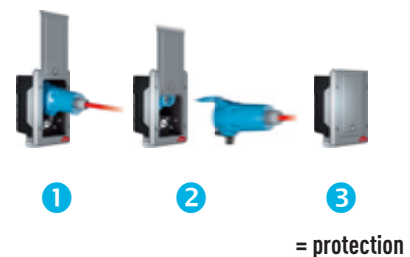
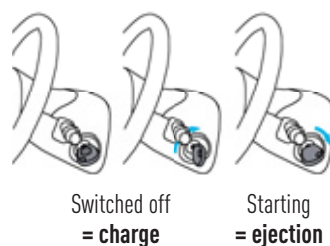
RETTBOX® ONE 20 A: casing in GRP
RETTBOX® ONE 32 A: stainless steel AISI316L

Electric solenoid 12/24 V
providing automatic ejection when the engine is started

INFOS +

ENSURE SPEED AND SAFETY

- 1 Loading box connected to the electrical system of the vehicle.
- 2 Automatic ejection of the coupler socket upon start-up of the vehicle by way of an electric solenoid.
- 3 Protection against water and dust by means of a self-closing cover.

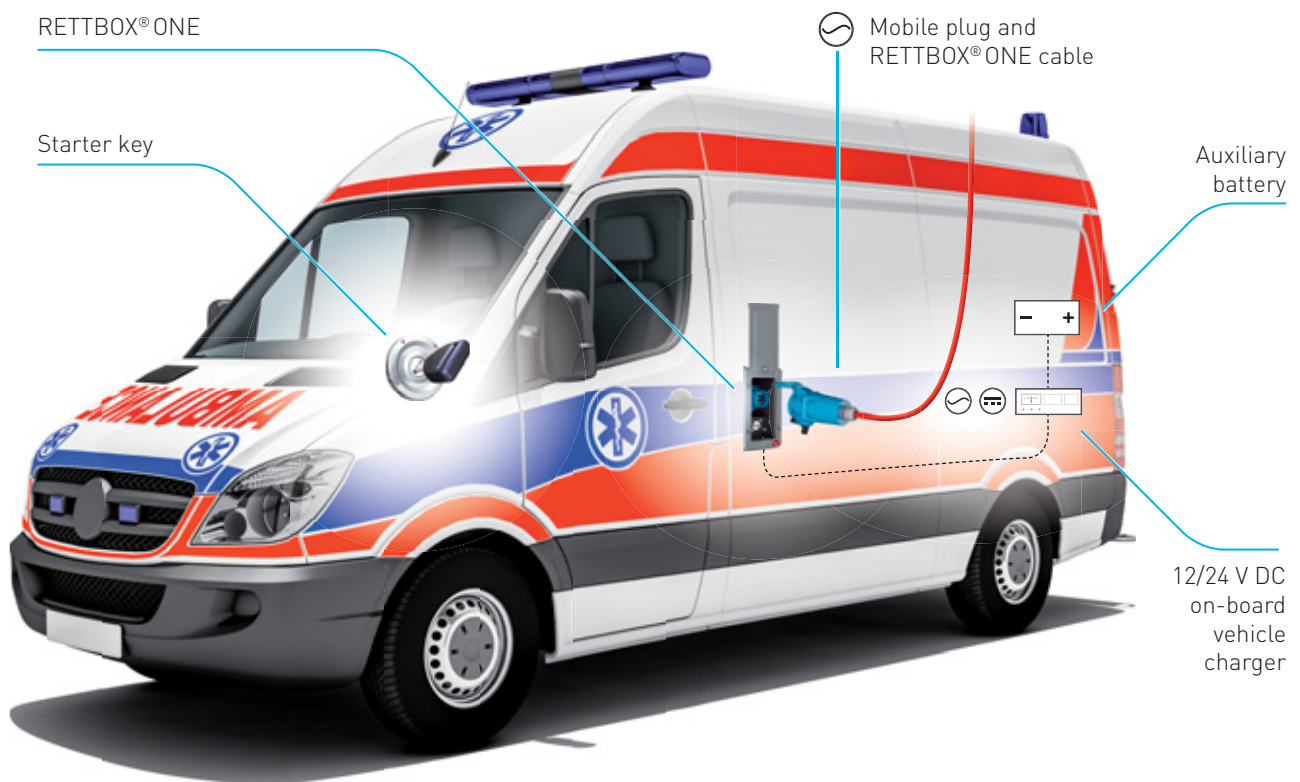


RETTBOX® ONE complies with the following standards:

- European Low Voltage Directive and RoHS, European REACH Regulation.
- IEC/EN 60309-1 and IEC/EN 60670.

CONNECTION DIAGRAM BY TYPE

Power supply with 230 V AC or 400 V AC on-board battery charger.



FIND ALL THE INFORMATION ABOUT THE
RETTBOX® ONE ON OUR YOUTUBE CHANNEL



20A

440 V
U MAXI

RETTBOX® ONE ELECTROMAGNETIC SELF-EJECTION



IP55



1,5 - 6 mm² (1)



GRP
STAINLESS
STEEL



IK08
IK10



- 40 °C
+ 60 °C



3 AUX.

(1) Flexible wiring (min.-max.)



ENCLOSURE WITH INLET
pre-wired, cable 4 m
supplied with 4 m cable (2)



COUPLER SOCKET
pre-wired, cable 4 m
included (2)

RETTBOX® ONE (20A)

220 - 250 V AC	1P+N+E	With 12 V relay and male inlet	6116015RK412U	6113015RK4L
220 - 250 V AC	1P+N+E	With 24 V relay and male inlet	6116015RK424U	6113015RK4L
220 - 250 V AC	1P+N+E+2 aux.	With 12 V relay and male inlet	6116175RK412U	6113175RK4L
220 - 250 V AC	1P+N+E+2 aux.	With 24 V relay and male inlet	6116175RK424U	6113175RK4L
24 V DC	2P DC*	With 24 V relay and male inlet	6116089RK424U	6113089RK4L
12 V DC	2P DC*	With 12 V relay and male inlet	6116059RK412U	6113059RK4L

*LED not available for these configurations.

(2) All versions are available in 4, 8 and 12 m, contact us for the references.

OTHER FEATURES

	RETTBOX® ONE (20A)
Front	stainless steel
Box	GRP
Front dimensions (W x H) in mm	114 X 184
Cut-out dimensions on vehicle's frame (W x H x D) in mm	83 X 163 x 94
Auxiliary contacts in option	2 Aux
Weight (excluding coupler socket)	1 200 g
Built-in DECONTACTOR™	20A

DOWNLOAD THE RETTBOX® ONE USER MANUAL FROM OUR WEBSITE MARECHAL.COM



INFOS +

LED CONTROL LIGHT

RETTBOX® ONE (20 A, 230 V) feature a LED signal light that indicates the presence of charging voltage.



OPTIONS

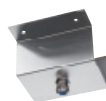
Reference

LEATHER PULL-GRIP (COUPLER SOCKET)



611AZIE

CEILING BRACKET MADE OF STAINLESS STEEL

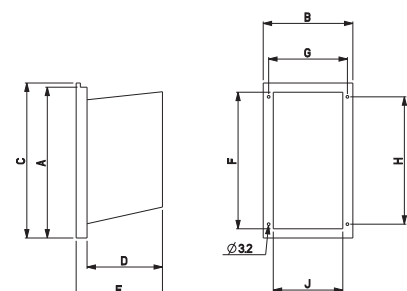


RETTBOX® ONE 20A

611AHUTRRR L

DRAWINGS AND DIMENSIONS

	A	B	C	D	E	F	G	H	J
RETTBOX® ONE 20 A	184	114	184	89	114	163	94	152	83



20A/32A

440 V
U MAXI

RETTBOX® ONE AIR ELECTROMAGNETIC SELF-EJECTION



IP55



1,5 - 6 mm² (1)



GRP
STAINLESS
STEEL



IK08
IK10



- 40 °C
+ 60 °C



3 AUX.

(1) Flexible wiring (min.-max.)



ENCLOSURE WITH INLET
supplied with 4 m cable -
compressed air conduct up to 13 bars⁽²⁾



COUPLER SOCKET
pre-wired, cable 4 m
included⁽²⁾

RETTBOX® ONE AIR (20A)

220 - 250 V AC	1P+N+E	With 12 V relay and male inlet	6116015AK412U	6113015AK4L
220 - 250 V AC	1P+N+E	With 24 V relay and male inlet	6116015AK424U	6113015AK4L
220 - 250 V AC	1P+N+E+1 aux.	With 12 V relay and male inlet	6116215AK412U	6113215AK4L
220 - 250 V AC	1P+N+E+1 aux.	With 24 V relay and male inlet	6116215AK424U	6113215AK4L
24 V DC	2P DC*	With 24 V relay and male inlet	6116089AK424U	6113089AK4L
12 V DC	2P DC*	With 12 V relay and male inlet	6116059AK412U	6113059AK4L
Cable only (per metre): 611AKOM				

*LED not available for these configurations.

(2) All versions are available in 4, 8 and 12 m, contact us for the references.



ENCLOSURE WITH INLET
supplied with 4 m cable -
compressed air conduct up to 13 bars⁽²⁾



COUPLER SOCKET
pre-wired, cable 4 m
included⁽²⁾

RETTBOX® ONE AIR (32A)

200 - 250 V AC	1P+N+E+3 aux.	With 24 V relay and male inlet	3816187AK424U	3813187AK4L
380 - 440 V AC	3P+N+E+1 aux.	With 24 V relay and male inlet	3816247AK424U	3813247AK4L
Cable only (per metre): 381AKOM				

(2) All versions are available in 4, 8 and 12 m, contact us for the references.

OTHER FEATURES

	RETTBOX® ONE AIR (20A)	RETTBOX® ONE AIR (32A)
Front	stainless steel	stainless steel
Box	GRP	stainless steel
Front dimensions (W x H) in mm	114 X 184	132 X 188
Cut-out dimensions on vehicle's frame (W x H x D) in mm	83 X 163 x 94	103 X 173 x 145
Auxiliary contacts in option	1 Aux	3 Aux
Weight (excluding coupler socket)	1 200 G	3 200 G
Built-in DECONTACTOR™	20A	32A
Compressed air duct	up to 13 bars	up to 13 bars

DOWNLOAD THE RETTBOX® USER MANUAL FROM OUR WEBSITE MARECHAL.COM



INFOS +

LED CONTROL LIGHT

RETTBOX® ONE AIR (20 A, 230 V) feature a LED signal light that indicates the voltage presence.



OPTIONS

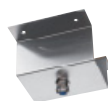
Reference

LEATHER PULL-GRIP (COUPLER SOCKET)



611AZIE

CEILING BRACKET MADE OF STAINLESS STEEL



RETTBOX® ONE AIR 20A

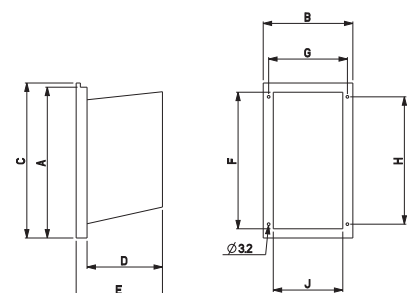
611AHUTAAA L

RETTBOX® ONE AIR 32A

381AHUTAAA L

DRAWINGS AND DIMENSIONS

	A	B	C	D	E	F	G	H	J
RETTBOX® ONE AIR 20 A	184	114	184	89	114	163	94	152	83
RETTBOX® ONE AIR 32 A	188	132	197	140	151	173	116	169	103



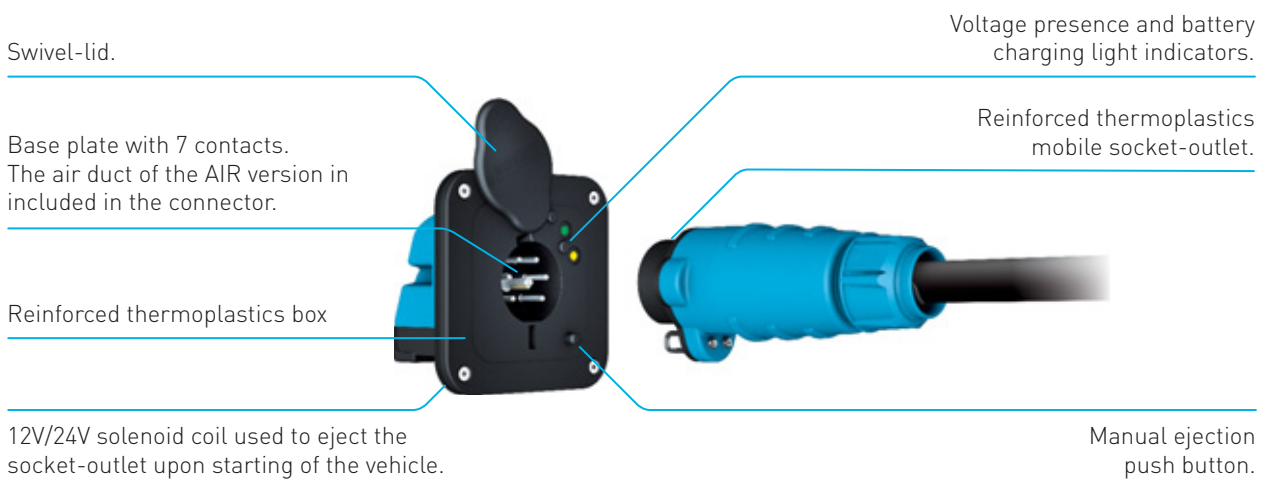
20 A/32 A

RETTBOX® S SERIES

ELECTROMAGNETIC SELF-EJECTION

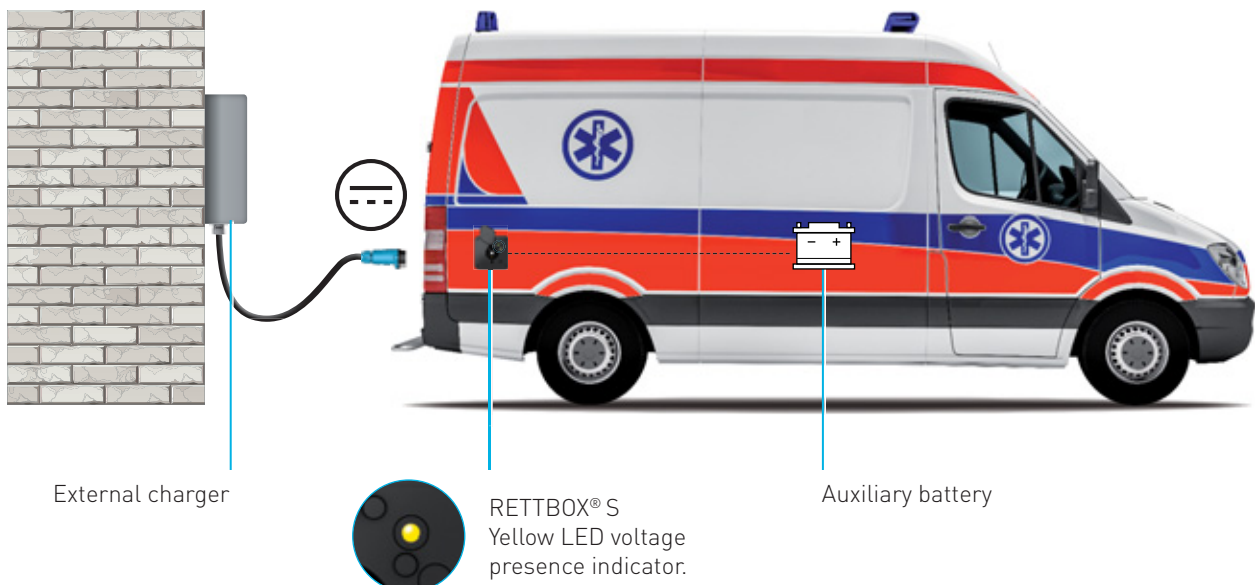
WITH OR WITHOUT AIR

RETTBOX® S



VOLTAGE PRESENCE AND AUXILIARY BATTERY CHARGING LIGHT INDICATORS

Figure 1: with an external battery charger.
12 V DC or 24 V DC power supply.



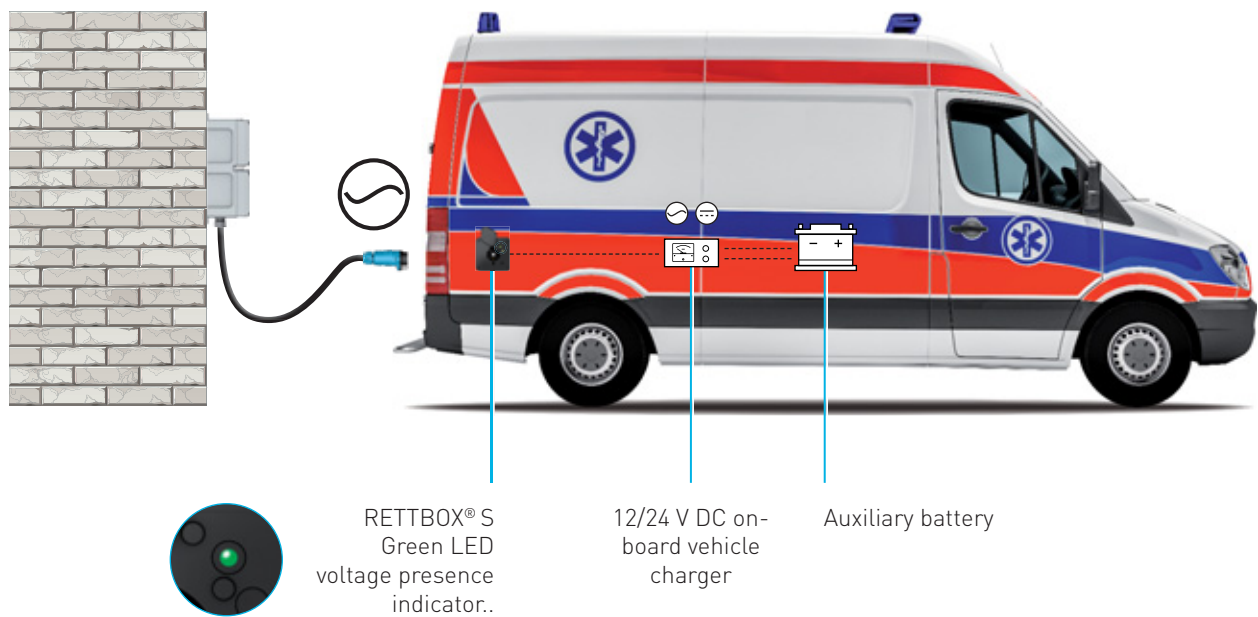
RETTBOX® S is a professional use compact and load-breaking self-ejecting socket-outlet.

The best in class industrial socket-outlet providing power to all equipment on-board a vehicle.

RETTBOX® S complies with the following standards:

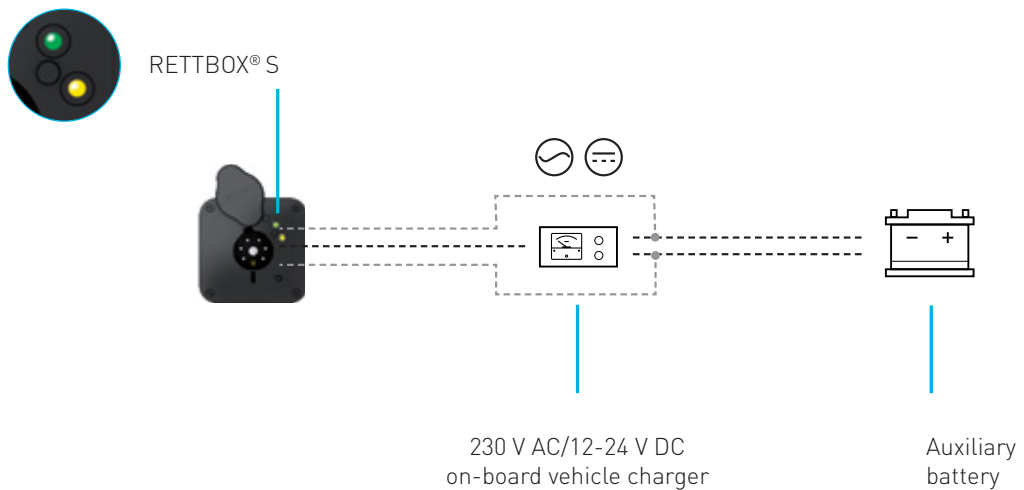
- European Low Voltage Directive and RoHS, European REACH Regulation.
- IEC/EN 61984, IEC/EN 60947-3.

Figure 2: with an on-board vehicle charger. up to 480 V AC power supply.



OPTIONAL

Order a 12 V DC/24 V DC yellow LED battery charging indicator. Reference : 151ALED-24J



20A/32A

480 V
U MAXI

RETTBOX® S

ELECTROMAGNETIC SELF-EJECTION

NEW

WITH OR WITHOUT AIR



IP54



1,5 - 6 mm² (1)



GRP



IK08



- 40 °C
+ 60 °C

(1) Flexible wiring (min.-max.)



Cable is not included

RETTBOX® S (20 A)
RETTBOX® S AIR (20 A)*



BOX*



COUPLER SOCKET
straight^{(2)*}



angled 60°⁽³⁾

220 - 250 V AC	6P+E	With solenoid coil 12/24 V DC and male connector	1516016	1513016	15C3016
24 V DC	6P+E	With solenoid coil 12/24 V DC and male connector	1516046	1513046	15C3046
12 V DC	6P+E	With solenoid coil 12/24 V DC and male connector	1516026	1513026	15C3026

(2) Input/Cable outer Ø 5-21 mm - (3) Input/Cable outer Ø 9-18 mm, no Air version available.

* For AIR version, change the 0 of the product reference by A.



BOX*



COUPLER SOCKET
straight^{(2)*}



angled 60°⁽³⁾

380 - 480 V AC	6P+E	With solenoid coil 12/24 V DC and male connector	1536036	1533036	15C3036
----------------	------	--	---------	---------	---------

(2) Input/Cable outer Ø 5-21 mm - (3) Input/Cable outer Ø 9-18 mm, no Air version available.

* For AIR version, change the 0 of the product reference by A.

OTHER FEATURES

	RETTBOX® S (20 A)	RETTBOX® S (32 A)	RETTBOX® S AIR (20 A)	RETTBOX® S AIR (32 A)
Box material	GRP	GRP	GRP	GRP
Front dimensions (W x H) in mm	120 x 120	120 x 120	120 x 120	120 x 120
IP Box	IP54	IP54	IP54	IP54
IP : mobile socket-outlet without plug cap	IP2X	IP2X	IP2X	IP2X
IP : mobile socket-outlet with plug cap	IP44	IP44	IP44	IP44
Cut-out dimensions on vehicle's frame (W x H x D) in mm	86 x 82 x 83	86 x 82 x 83	86 x 82 x 83	86 x 82 x 83
Weight (excluding coupler socket)	400 g	400 g	407 g	407 g
AIR Version	/	/	up to 13 bars	up to 13 bars

OPTIONS



Order a 12/24 V yellow LED battery charging indicator.
Reference : 151ALED-24J.



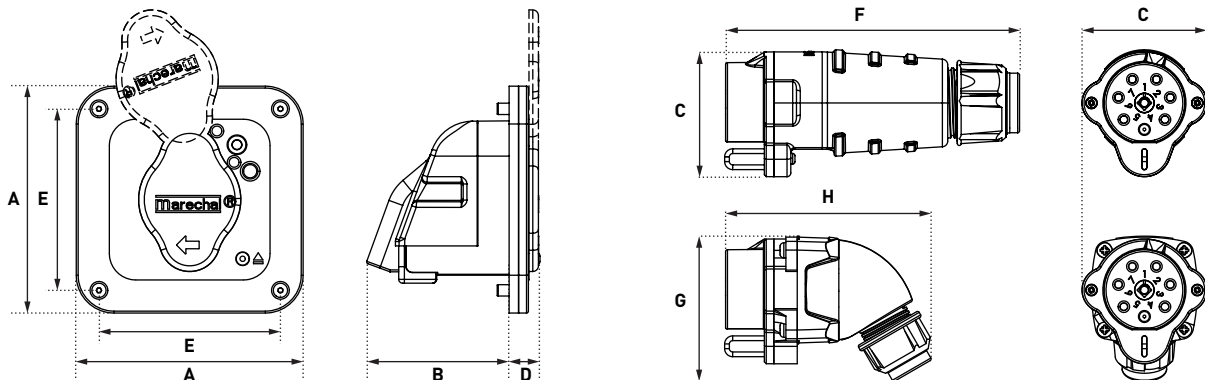
Contact us for wall installation
with a box 120x120x91.

Cable available per meter

381AKOM : 32 A cable, 1 air duct
+ 5G6mm² (4P+T) + 2 x 2.5mm² for auxiliaries

611AKOM: 20 A cable, 1 compressed air duct
+ 4G2.5mm² (3P+T) + 2 x 1.5mm² for auxiliaries

DRAWINGS AND DIMENSIONS



A	B	C	D	E	F	G	H
120	75	66	16	96	156	77	109

20 A » 150 A

DSN/DS/DXN RANGES MECHANICAL SELF-EJECTING

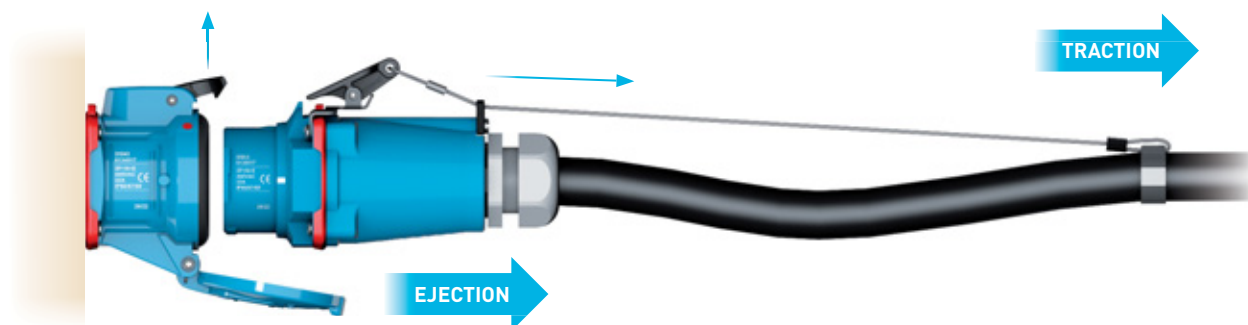
FIXED ELECTRIC POWER SUPPLY



Step 1: self-ejection system at rest.



Step 2: the traction acts on the electrical cable and the rope. The ejection lever gradually raises the latch.



Step 3: the latch is fully raised by the ejection lever, causing the automatic ejection of the plug.

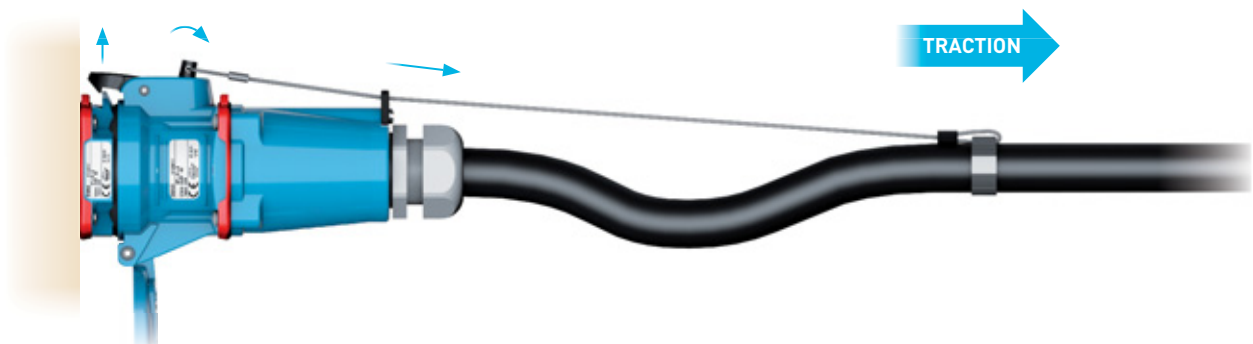
OPERATION SEQUENCE

Self-ejection systems avoid damage to the electrical installation when the mobile equipment is moved without removing the supply connection. They are designed to automatically release the mobile socket outlet or inlet thanks to a cord attached to the locking latch and the power supply cable.

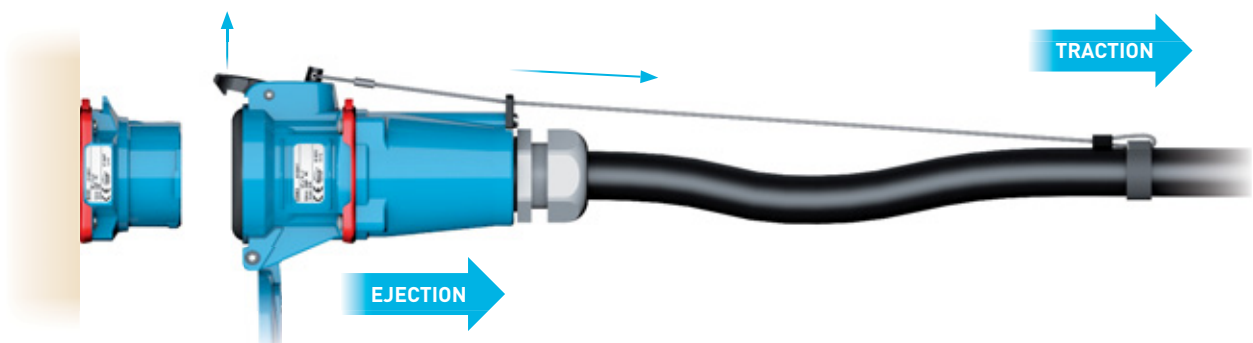
MOBILE POWER SUPPLY SOURCE



Step 1: Self-ejection system at rest.



Step 2: The traction acts on the electrical cable and the rope. The latch rises gradually.



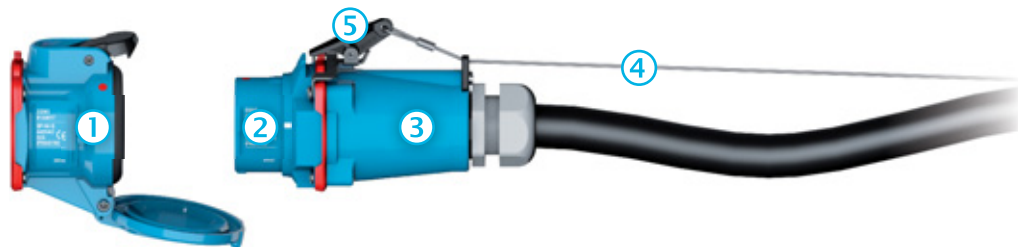
Step 3: The latch is fully raised, causing the automatic ejection of the socket.

MECHANICAL SELF-EJECTING DSN/DS1/DS3/DS6/DXN

FIXED ELECTRIC
POWER SUPPLY



EJECTING PLUG
(INLET + HANDLE)



EJECTION RELEASE LEVER



EJECTION RELEASE LEVER

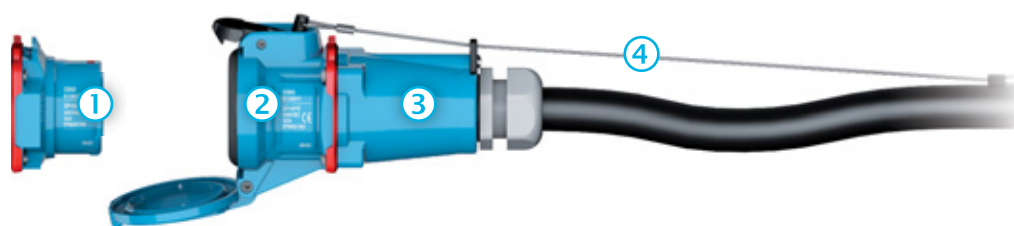
	INDUSTRIAL RANGE		ATEX RANGE
	DSN*	DS1/DS3/DS6* (contact us for metal version of DS9 and DS2)	DXN*
1 Socket-outlet	Ref. +352	Ref. +352	Ref. +352
2 Inlet	Standard	Standard	Standard
3 Poly handles + eyelet	Ref. +443	Ref. +443	See references in DXN accessories page.
4 Tension cord	311A336	311A336	251A336
5 Mechanism	611A338 (DSN1) 613A338 (DSN3) 616A338 (DSN6)	311A338 (DS1) 313A338 (DS3) 316A338 (DS6)	251A338 (DXN1) 253A338 (DXN3) 256A338 (DXN6)

* See the relevant product pages for the references of the plugs, socket-outlets and handles.



MOBILE POWER SUPPLY SOURCE

EJECTING COUPLER SOCKET (HANDLE + SOCKET- OUTLET)



	INDUSTRIAL RANGE		ATEX RANGE
	DSN *	DS1/DS3/DS6 * (contact us for metal version of DS9 and DS2)	DXN *
1 Inlet	Standard	Standard	Standard
2 socket outlet with ejection release lever	Ref. +354	Ref. +354	Ref. +354
3 Poly handles + eyelet	Ref. +443	Ref. +443	See references in DXN accessories page.
4 Tension cord	311A336	311A336	251A336

To fix the connector directly without a sleeve, please use a socket-outlet with a 180° opening option.

* See the relevant product pages for the references of the plugs, socket-outlets and handles.

30 A

230 V
U MAXI

ANTI ENGINE START UP PLUG PN



IP55



1-6 mm² (1)
1,5-10 mm² (2)



GRP
METAL



▶ IK09
▶ IK09



-40 °C
+60 °C

(1) Flexible wiring (min.-max.).
(2) Stranded wiring (min.-max.).



GRP devices are not compatible with metal devices.

Standard self closing/self returning lid

OTHER FEATURES

Reversed interior and contacts.

This PN features a special wiring configuration that prevents the vehicle from starting-up, if the plug is still connected. Safe operation is ensured and unintentional pull-out of the power supply system is avoided.





VEHICLE INLET
PN



SOCKET-OUTLET
on cable side
(cap is included)
PN

			VEHICLE INLET PN		
			With latch	Without latch	
GRP	220-250 V AC	1P+N+E +2aux.	0124017825A	0124017001A	0128017001A
METAL	220-250 V AC	1P+N+E +2aux.	0924017825A	0924017001A	0928017001A

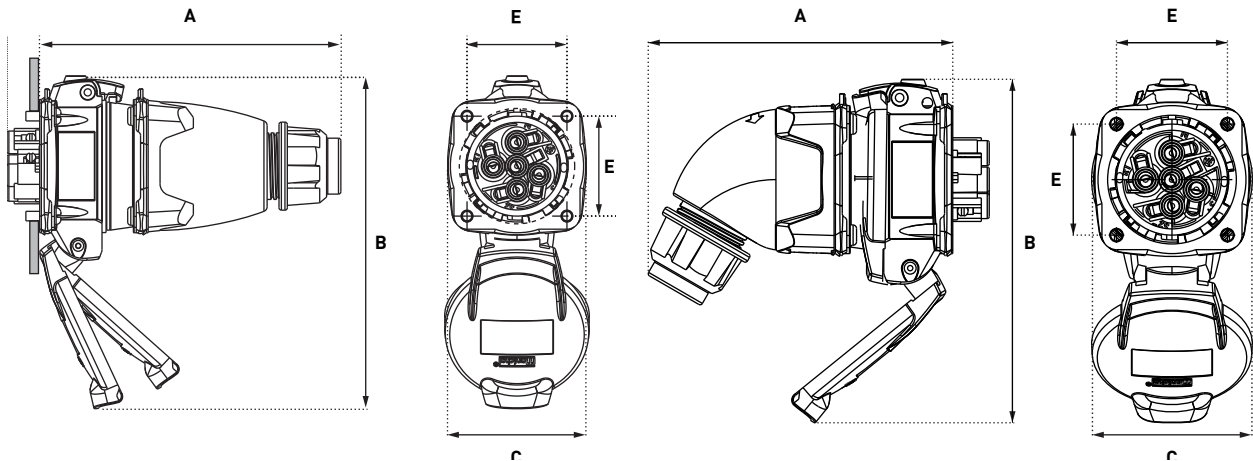
HANDLE	Cable outer Ø	Reference
POLY HANDLE WITH GLAND		
	9-18 mm	511P0D18

HANDLE	Cable outer Ø	Reference
POLY HANDLE WITH GLAND		
 60°	9-18 mm	511P6D18

DRAWINGS AND DIMENSIONS

	A	B	C	E
Straight handle	127	140	58	42
Angled handle	117	138	61	42

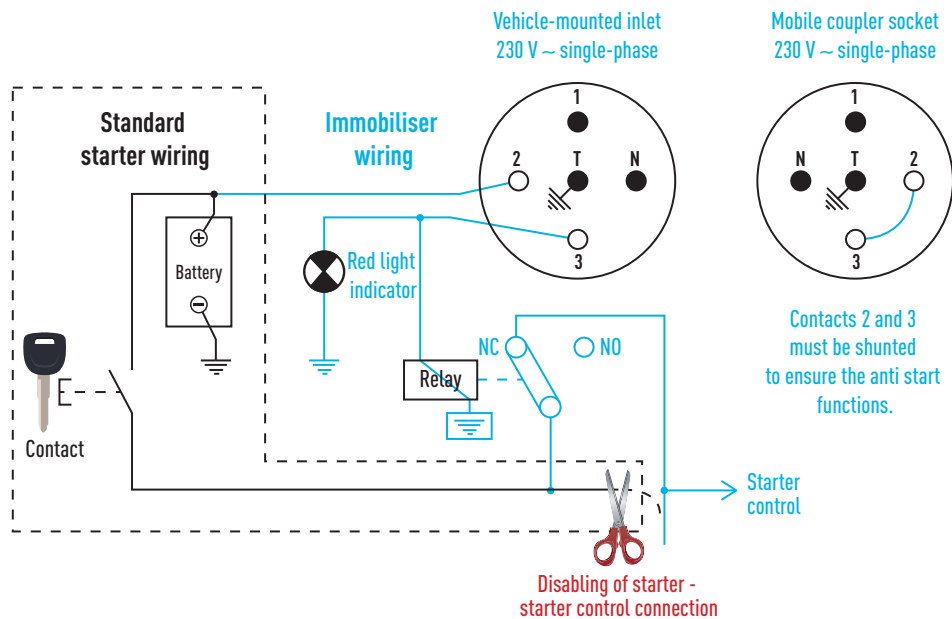
PLUG ON SOCKET-OUTLET



INFOS +

WIRING DIAGRAM FOR THE VEHICLE-MOUNTED SOCKET-OUTLET (230 V AC)

(for information only)



20 A → 90 A

400 V
U MAX

DISTRIBUTION BOXES

POWER SUPPLY FOR
AUXILIARY BATTERIES,
AIR-CONDITIONING UNITS,
TRAILERS, TANKERS...

SAFE ELECTRICAL CONNECTIONS

our boxes ensure the safety of operators and the protection of mobile electrical installations.



IP66
IP69 ⁽¹⁾



GRP



IK09



-40 °C
+60 °C

(1) IP44 with domestic socket-outlets

OTHER FEATURES CD BOXES

Fastenings	Captive stainless steel screws
Wiring capacity	2 x 1,5 mm ² to 5 x 35 mm ²
Cable entries	M50 max..
Housing dimensions (W x H x D) in mm	345 x 225 x 156
Assembly	10 modules max..

LIQUID GAS TRANSFER BOX TECHNICAL FEATURES

Protection	30 mA
Earthing connection of the lorry is ensured.	
Fixation	300 x 300 mm
Height	470 mm
Depth	250 mm
Cable glands	M40 IP68 (Ø 20 to 32 mm)



other configurations, circuit protection or dimensions are available on request. Please contact us.

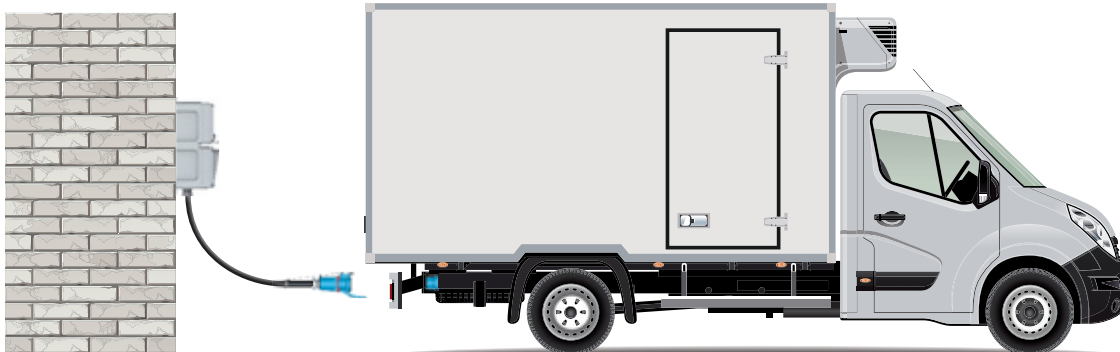
EXAMPLES OF APPLICATIONS : PRE-WIRED BOX WITH DIFFERENTIAL PROTECTION FOR REMOTE POWER SUPPLY.

Contact us for the references.

CD box and RETTBOX®S for the power supply of a rescue vehicle.



CD box and self-ejection plug for the power supply of a refrigerated vehicle.



Liquid gas transfer box for power supply of a tanker.



Specific documentation is available for these applications.

DISTRIBUTION AND JUNCTION BOXES

DISTRIBUTION AND JUNCTION

CD DISTRIBUTION BOX



P. 202

B2 JUNCTION BOXES



P. 204

SB JUNCTION BOXES



P. 206

From 16 A up to 90 A
Differential protection
30 mA
IP66/IP69
water-and dust-tight
Composed of two parts
fixed on hinges
Prewired with easy access
to the connection terminals

IP66/IP67
water-and dust-tight
2 Dimensions
(120x120x91 mm
and 160x160x91 mm)
Up to two drilled hole per
side (M40 max.)
Option with hinged lid.

Ideal solution for corrosive
environment.
AISI 316L stainless steel.
Max. dimensions
950x750x200mm
Hinged lid.
Internal mounting plate
included.
Optionnal drilled holes
up to M80.



SELECTION GUIDE

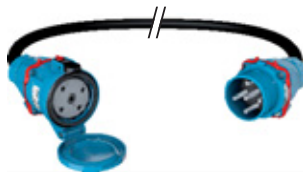
CUSTOMISED SOLUTIONS

BOXES



P. 208

EXTENSIONS



CABLE REELS



In direct connection with its production of industrial electrical socket-outlets, MARECHAL ELECTRIC has the internal skills to offer you complete customized solutions. From cable assemblies to power distribution boxes.

BOXES

SOLUTIONS FOR TUNNEL APPLICATIONS
PLEASE REFER TO PAGE 210



16 A → 90 A

440 V
U_{MAXI}

DISTRIBUTION BOXES CD



IP66
IP69 ⁽¹⁾



GRP



IK09



-40 °C
+60 °C

(1) IP44 with domestic socket-outlets



Pre-wired boxes.
For empty version,
contact us.

OTHER FEATURES

Fastenings	Captive stainless steel screws
Wiring capacity	2 x 1,5 mm ² to 5 x 35 mm ²
Cable entries	M50 max.
Housing dimensions (HxWxD) in mm	342 x 225 x 156
Assembly	10 modules max.



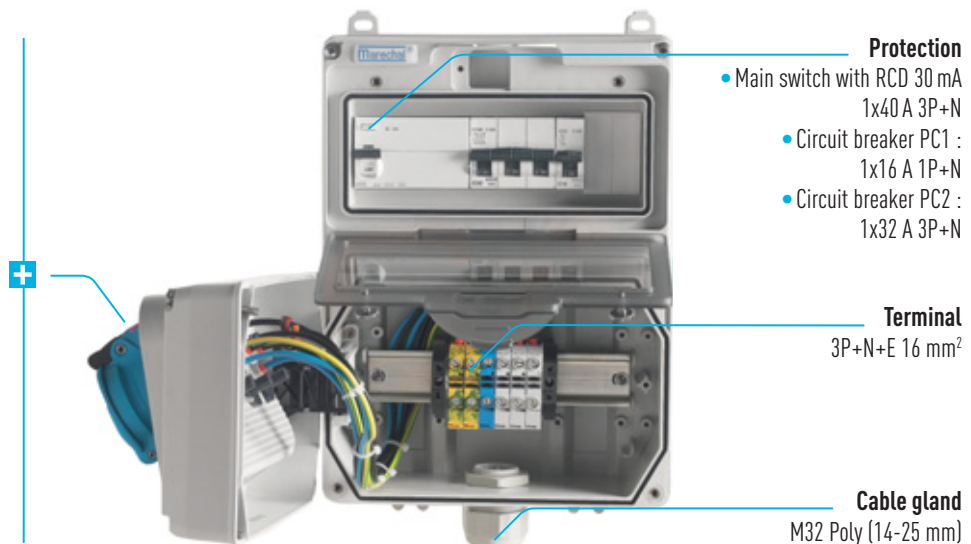
DECONTACTOR™ DSN1

16 A - 1P+N+E
220-250 V



DECONTACTOR™ DSN3

32 A - 3P+N+E
220-250 V/380-440 V



Protection

- Main switch with RCD 30 mA
1x40 A 3P+N
- Circuit breaker PC1 :
1x16 A 1P+N
- Circuit breaker PC2 :
1x32 A 3P+N

Terminal

3P+N+E 16 mm²

Cable gland

M32 Poly (14-25 mm)

INSIDE BOX COMPOSITION

Box	Main switch with RCD 30 mA	Circuit breaker Socket 1	Circuit breaker Socket 2	Terminal	Cable gland mm
CD1		1x16 A 1P+N 30 mA		1P+N+E 16 mm ²	M25 POLY (9-18)
CD2	1x25 A 1P+N	1x16 A 1P+N	1x16 A 1P+N	1P+N+E 16 mm ²	M25 POLY (9-18)
CD3		1x16 A 3P+N 30 mA		3P+N+E 16 mm ²	M25 POLY (9-18)
CD4		1x16 A 3P 30 mA		3P+E 16 mm ²	M25 POLY (9-18)
CD5	1x25 A 3P+N	1x16 A 3P+N	1x16 A 3P+N	3P+N+E 16 mm ²	M25 POLY (9-18)
CD6*		+ 2 fuses 6 A Gg		1P+N+E 16 mm ²	M25 POLY (9-18)
CD7	1x25 A 1P+N	1x16 A 1P+N	1x16 A 1P+N	1P+N+E 16 mm ²	M25 POLY (9-18)
CD8		1x32 A 1P+N 30 mA		1P+N+E 16 mm ²	M32 POLY (14-25)
CD9	1x40 A 1P+N	1x32 A 1P+N	1x32 A 1P+N	3P+N+E 16 mm ²	M32 POLY (14-25)
CD10		1x32 A 3P+N 30 mA		3P+N+E 16 mm ²	M32 POLY (14-25)
CD11	1x40 A 3P+N	1x32 A 3P+N	1x32 A 3P+N	3P+N+E 16 mm ²	M32 POLY (14-25)
CD12	1x40 A 3P+N	1x16 A 1P+N	1x32 A 3P+N	3P+N+E 16 mm ²	M32 POLY (14-25)
CD13	1x40 A 3P+N	1x16 A 1P+N	1x32 A 3P+N	3P+N+E 35 mm ²	M40 POLY (18-32)
CD14	1x40 A 3P+N	1x16 A 1P+N	1x32 A 3P+N	3P+N+E 16 mm ²	M32 POLY (14-25)
CD15		1x63 A 3P+N 30 mA		3P+N+E 16 mm ²	M40 POLY (18-32)
CD16*	1x25 A 3P+N	+ 2 fuses 6 A Gg	1x16 A 3P+N	3P+N+E 16 mm ²	M32 POLY (14-25)

* CD6 and CD16 boxes are equipped with a 160 VA 230 V/24 V transformer. Maximum operating temperature: 40 °C

Type	French standard socket 16 A - 230 V	16 A socket	16 A socket			32 A socket		63 A socket	Associated* MARECHAL® DECONTACTOR™	
		24 V	220-250 V	380-440 V	220-250 V 380-440 V	220-250 V	220-250 V 380-440 V	220-250 V 380-440 V		
Box	2P+E	2P	1P+N+E	3P+E	3P+N+E	1P+N+E	3P+N+E	3P+N+E	DSN range	DS range
CD1			1						6114015CD1	3114015CD1
CD2			2						6114015CD2	3114015CD2
CD3					1				6114017CD3	3114017CD3
CD4				1					6114013CD4	3114013CD4
CD5					2				6114017CD5	3114017CD5
CD6		1							611408ACD6	311408ACD6
CD7	1		1						6114015CD7	3114015CD7
CD8						1			6134015CD8	3134015CD8
CD9						2			6134015CD9	3134015CD9
CD10							1		6134017CD10	3134017CD10
CD11							2		6134017CD11	3134017CD11
CD12			1				1		6134017CD12	3134017CD12
CD13			1				1		6134017CD13	3134017CD13
CD14	1						1		6134017CD14	3134017CD14
CD15								1	6164017CD15	
CD16		1 (PN range)			1				6114017CD16	3114017CD16

* CD6 and CD16 boxes are equipped with a 160 VA 230V/24V transformer. Maximum operating temperature: 40 °C.

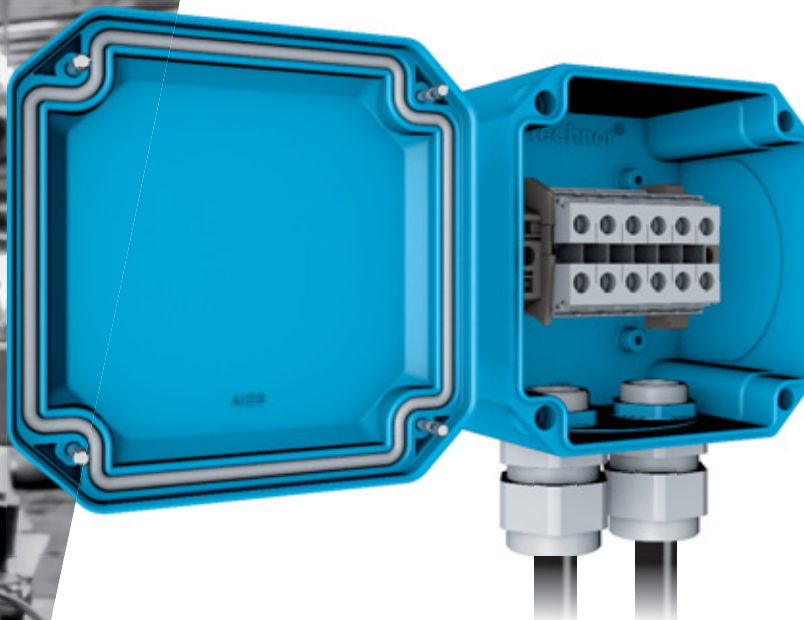
INFOS +

The CD box can be mounted on a support.
Support frame ref.: 9CHAS-CD



Other configurations on request.
Please contact us where applications require more than 2 outlets.

JUNCTION BOXES B2



IP66
IP67



2 x 1,5 mm²
» 5 x 35 mm²



GRP



IK08



-40 °C
+60 °C

OTHER FEATURES

Fastenings	Captive stainless steel screws
Two dimensions (W x H x D) in mm	120x120x91, up to two drilled holes per side (M32 max.) 160x160x91, up to two drilled holes per side (M32 max.)
Glow-wire flammability index according to IEC/EN 60695-2-12	850 °C
Isolation voltage	1 000 V AC



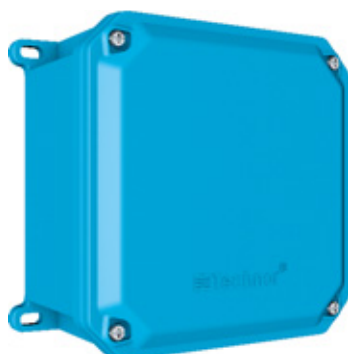
Box are supplied with a DIN rail and without drilled holes as a standard.

Please contact us for your specific configurations.

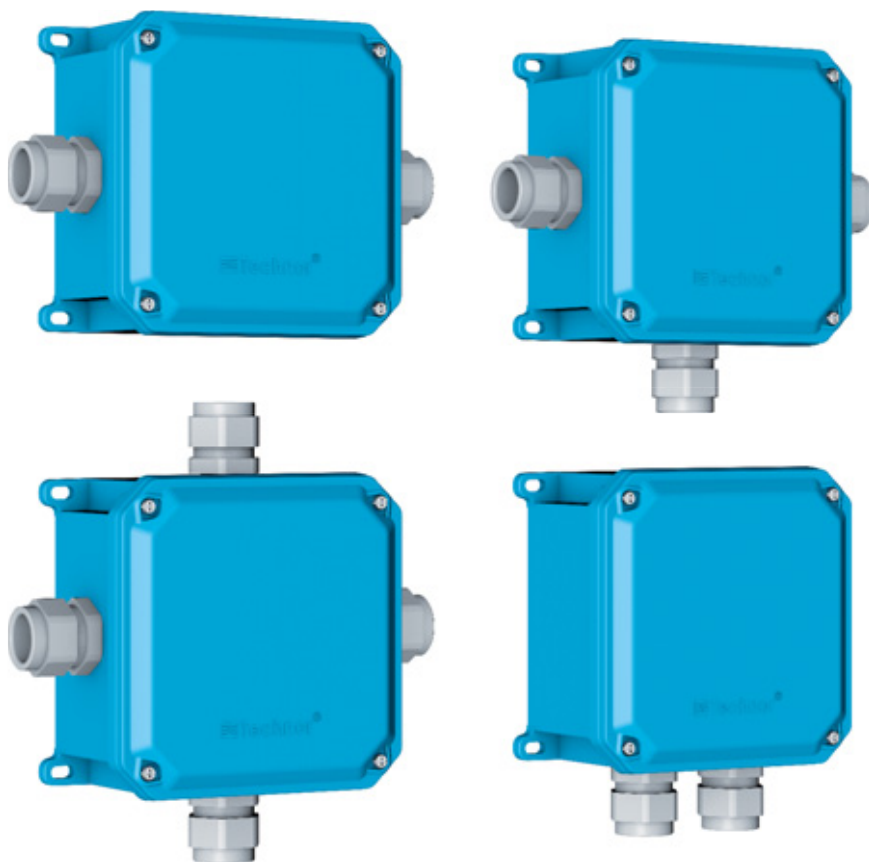
TYPE

TYPE	Reference
Empty box 120x120x91*	509ACP1
Empty box 160x160x91*	509ACP2

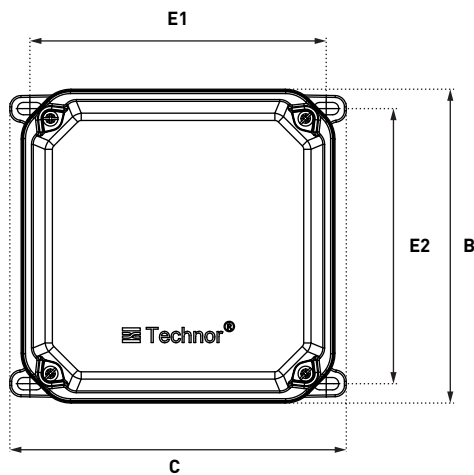
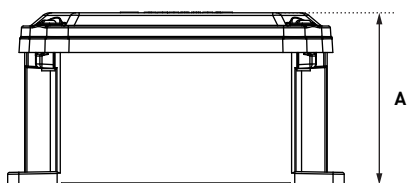
*hinges are not included, earthing bar on request.



EXAMPLE CONFIGURATIONS



DRAWINGS AND DIMENSIONS



	A	C	B	E1	E2
120x120	91	141	126	117	106
160x160	91	178	166	157	146

JUNCTION BOX SB



IP66
IP67



STAINLESS STEEL
316L



IK10



-50 °C
+95 °C

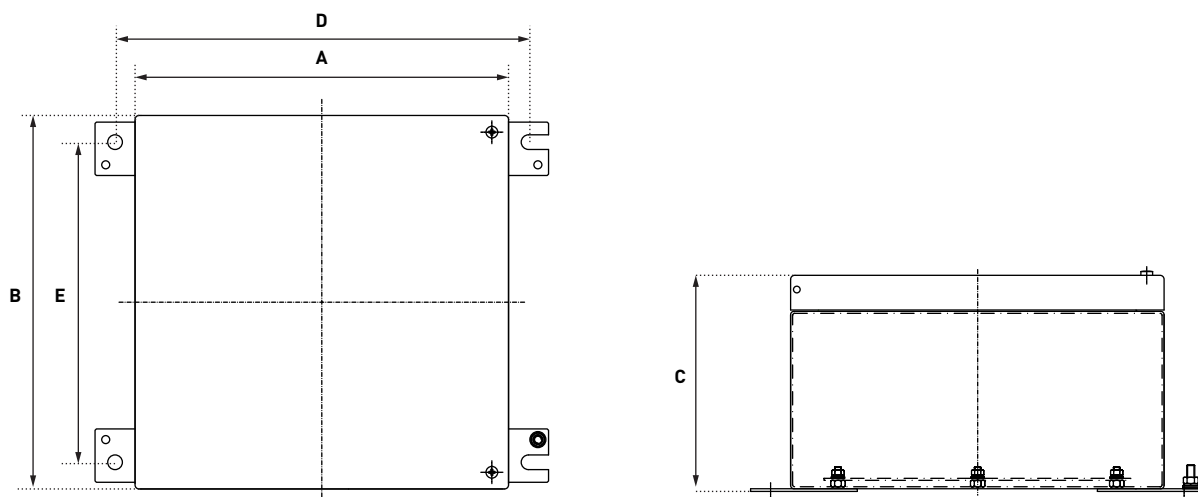
The SB is an IP66/IP67 junction box used for the most severe applications as in the food and beverage industry. All boxes sizes except the 150x150x100 version are equipped with:

- an internal mounting plate
- an earthing terminal
- a cable entry plate placed in the lower part of the box.

OTHER FEATURES

Material	Stainless steel 316L - 1.5mm thickness
Fastenings	Stainless steel
Drilling (for cable glands)	Up to M80
Hinged lid with silicon sealing	

REFERENCES AND DIMENSIONS



REFERENCE	DIMENSIONS [mm]				
	A	B	C	D	E
B016Y12064815*	150	150	100	180	-
B016Y12064816	200	200	160	230	160
B016Y12064817	280	280	160	310	240
B016Y12064818	350	350	160	380	310
B016Y12064819	380	380	200	410	340
B016Y12064820	500	500	200	530	460

* Only fitted with a rail DIN.



CUSTOMISED SOLUTIONS

BOXES, EXTENSIONS
AND CABLE REEL

In direct connection with its production of industrial electrical socket-outlets, MARECHAL ELECTRIC has the internal skills to offer you complete customized solutions. From cable assemblies to power distribution boxes.

Contact us.



EXAMPLE OF SOLUTIONS



Portable rubber box



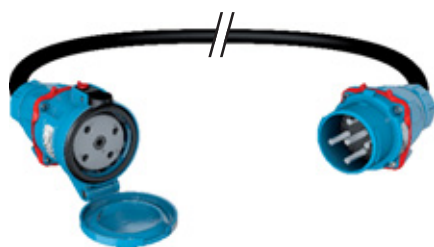
Automatic cable reel



Equipped cable reel



Boxes of all sizes and materials, GRP, sheet metal or stainless steel.



Extension cable









Portable service box




SOLUTIONS FOR TUNNELS

BOXES AND CONNECTORS

JUNCTION BOXES

MODEL	APPLICATION	CONDUCTOR SECTION
 EXPRESS® XL	STANDARD LIGHTING	From 2.5 mm ² to 35 mm ²
 EXPRESS®	STANDARD LIGHTING	From 2.5 mm ² to 35 mm ²
 B2 FIRE-RESISTANT	EMERGENCY LIGHTING	From 1.5 mm ² to 6 mm ²
 EXPRESS® XL FIRE-RESISTANT	EMERGENCY LIGHTING	From 4 mm ² to 35 mm ²
 EXPRESS® FIRE-RESISTANT	EMERGENCY LIGHTING	From 4 mm ² to 35 mm ²
 EQINOX FIRE-RESISTANT	EMERGENCY SIGNALLING, SIGNPOSTING	From 25 mm ² to 120 mm ²

BOXES AND CONNECTORS

MODEL	APPLICATION
 FIRE DEPARTMENT BOX	SAFETY REFUGE
 SAFETY BOXES	SAFETY REFUGE
 DS F400	FANS AND SMOKE VENTILATORS

CABLE	STANDARDS	PAGE
Through boxes with or without cable termination Multi conductors (Ø 13 to 29 mm)	/	p. 214
Through boxes with or without cable termination Single or multi conductors (Ø 9 to 28 mm)	/	p. 216
Through boxes with cable termination Single or multi conductors (Ø 2.5 à 25 mm)	NF C 32-070 (DIN 4102-12 to come)	p. 218
Through boxes with or without cable termination Multi-conductors (Ø 13 to 29 mm)	NF C 32-070 DIN 4102-12/E30	p. 220
Through boxes with or without cable termination Single or multi conductors (Ø 9 to 28 mm)	NF C 32-070 EN 50362	p. 222
Through boxes with cable termination Single or multi conductors	NF C 32-070 DIN 4102-12/E60	p. 224

FUNCTION	STANDARDS	PAGE
Connection of electrical equipment for rescue teams inside tunnels.	/	p. 226
Communication between different rescue teams inside tunnels.	NF C 32-070	p. 228
Local isolation for fans and smoke ventilators (400 °C/2h)	IEC/EN 60947-3 EN 12101-3	p. 230

SOLUTIONS FOR TUNNELS

MARECHAL ELECTRIC proposes a wide range of products dedicated to the electric connections for tunnels. Based on technology specially designed for such difficult environments and the quick disconnections of lights, MARECHAL ELECTRIC has already equipped more than 2 000 km of underground roads, railroads and inland waterways...

our objectives remain the same: to provide user safety, optimise maintenance and make the work of the emergency services easier.

PRODUCTS SUITED FOR SPECIAL TUNNEL ENVIRONMENTS

Very often in a tunnel, there is dust, stone projections, smoke, gas, moisture, water streaming and, of course, pollution. Electric connections in tunnels are subjected to extremely corrosive conditions. Designed to withstand such conditions, MARECHAL® boxes equipped with connectors or deconnectors provide safe solutions for tunnel maintenance.

WATERTIGHTNESS

All boxes are watertight and withstand the use of high-pressure washing during tunnel maintenance.

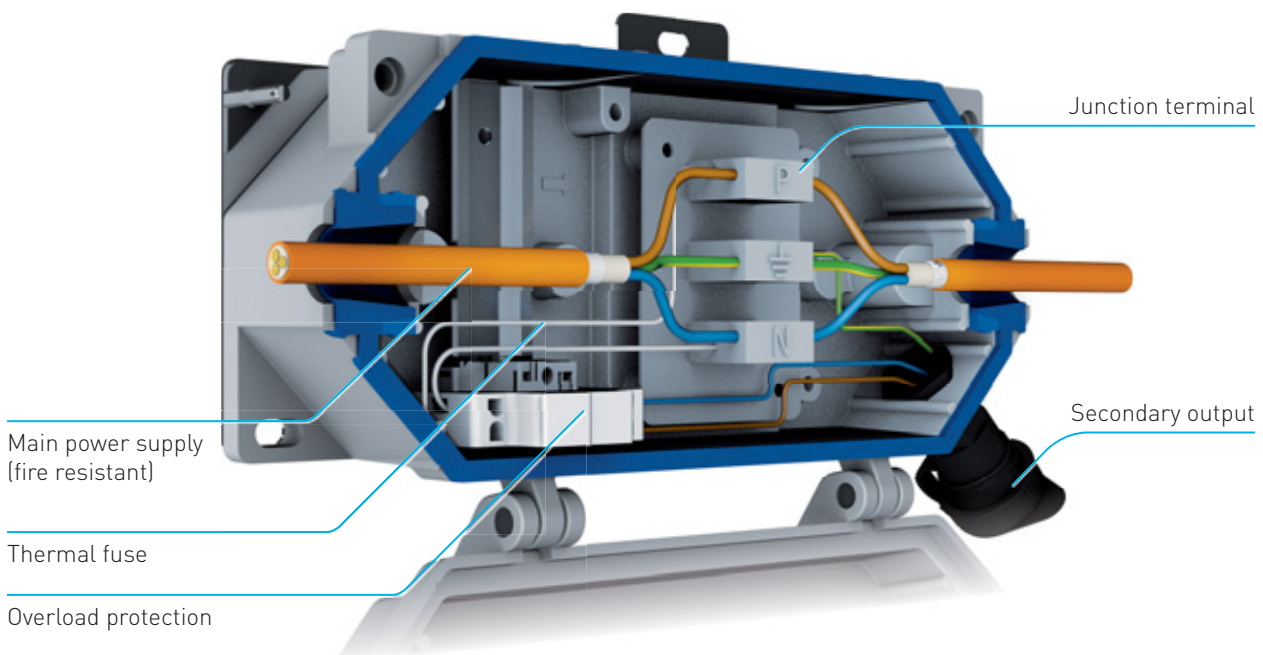
CORROSION AND IMPACT RESISTANCE HALOGEN AND SMOKE FREE

For optimum safety, the materials used for making Marechal® boxes and connectors are resistant to corrosion and impact (resistance IK09). In case of fire, these materials emit a limited amount of non dangerous smoke.

QUALITY CONNECTION AND EASY DISCONNECTION: USE OF BUTT-CONTACTS

Easy disconnection = easy maintenance: thanks to the MARECHAL® silver-nickel butt-contact technology, the contacts never weld. Therefore, the connection quality remains absolutely stable, and the disconnection can be done any time, even after several years.

TYPICAL WIRING DIAGRAM OF OUR JUNCTION BOXES.





STANDARDS AND CERTIFICATIONS

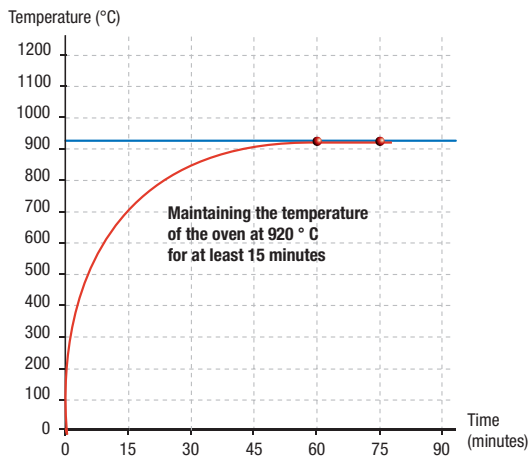
The use of Marechal solutions for tunnels facilitates the compliance of your infrastructure to:

- European Directive 2004/54/EC relating to tunnels in the road networks across Europe in terms of safety measures,
- for the transposition of the European Directive,
- in France:
 - to the application of text in the Highway Code relating to the safety of people in tunnels, as well as to inter-ministerial circulars No 2006-20 and 2000-63 (Annexe 2) on safety in tunnels and road networks.

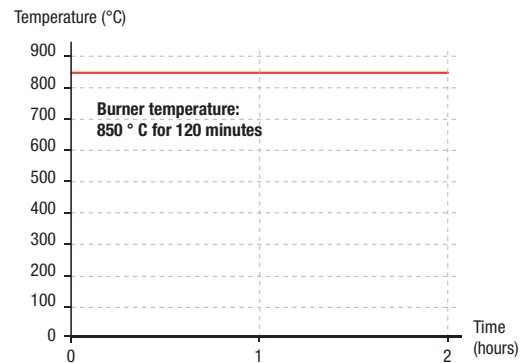
- the requirements of the CETU guide defining the behaviour of fire in road tunnels,
- according to the text relating to the Transport Code in terms of safety equipment.

MARECHAL® solutions for tunnels are compliant with the following fire resistance standards:

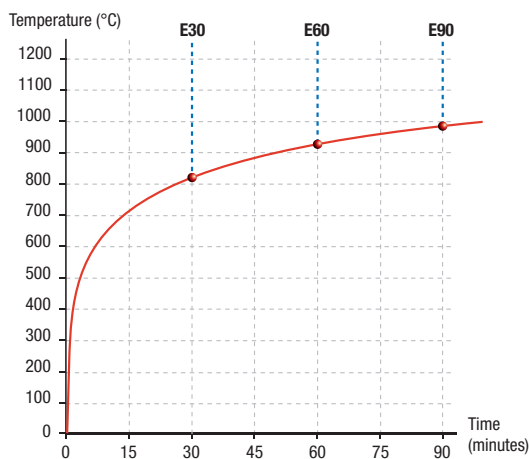
- EN 50362 (Europe) tested by the IMQ Italy laboratory,
- NF C 32-070 (France) tested by the laboratory C.S.T.B France,
- DIN 4102-12 (Germany) tested by the laboratory MPA Dresden GmbH,
- EN 12101-03 (Europe) tested by the laboratory EFECTIS France.



**Oven temperature curve - Standardized time
NF C 32-070 standard**



**Flame temperature curve - Time
NF EN 50362 standard**



**Over temperature curve - Time
DIN 4102 standard**

STANDARD LIGHTING

BOX EXPRESS® XL



IP66



GRP



IK09

OTHER FEATURES

Service terminals	2 to 5 insulation-piercing.
Service protection	By circuit breaker fitted to DIN rail.
Cables accepted	Armoured and unarmoured cables, stranded or flexible, from 2,5 mm ² to 35 mm ² , with an external diameter 13 to 29mm. Configuration with cable cut is also possible.
Earthing point	Inside and outside the enclosure.
Fire smoke class	M1F0
Self extinguishing material	UL94 V-0
Modularity box Options Other equipment	<ul style="list-style-type: none">• Secondary line wiring with MARECHAL® socket-outlet.• Accessories for fixing box to cable tray or ladder (option).• "Power On" signal light (option).

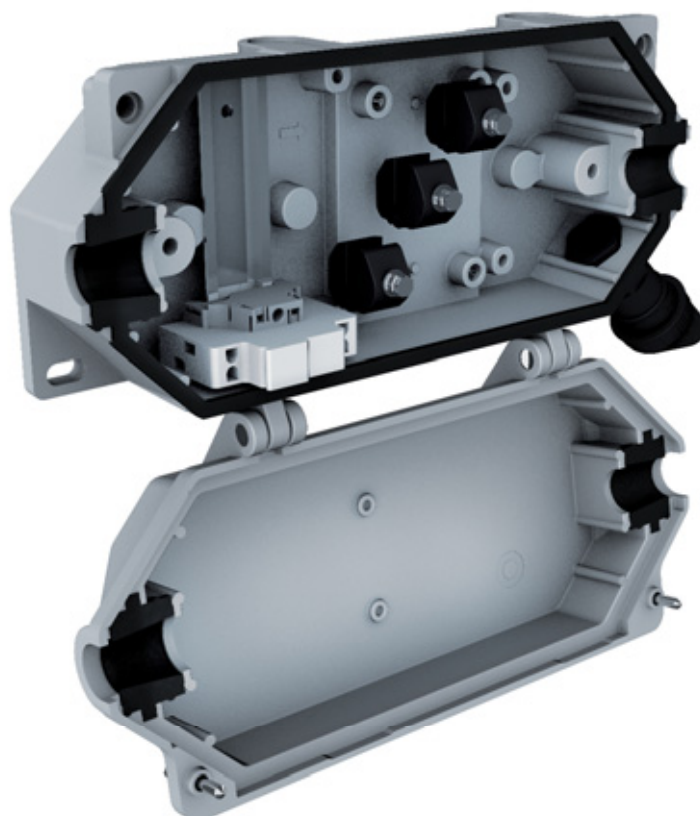
REFERENCES AND DIMENSIONS

JUNCTION BOX WITH OR WITHOUT THE NEED TO CUT THE CABLE

Made from halogen-free glass fibre reinforced polyester compound, these boxes allow a service tap-off from the main through cable with or without the need to strip or cut the main cable. Gaskets allow the immediate positioning of cables with a maximum diameter of 29 mm whilst creating an IP66 seal. The box lid mounted on a stainless steel axis is fixed to the box by means of captive stainless steel screws.

BOX EXPRESS® XL

Type	H x W x D in mm	Distribution
91250	175 x 362 x 99	<ul style="list-style-type: none"> - Maximum 2 tap-offs using 2 sockets - Maximum 4 tap-offs using glands



STANDARD LIGHTING

BOX EXPRESS®



IP66



GRP



IK09

OTHER FEATURES

Service terminals	2 to 5 insulation-piercing.
Service protection	By circuit breaker fitted to DIN rail
Cables accepted	Armoured and unarmoured cables, stranded or flexible, from 2,5 mm ² to 35 mm ² , with an external diameter 9 to 28 mm. Configuration with cable cut is also possible.
Earthing point	Inside and outside the enclosure
Fire smoke class	M1F0
Self extinguishing material	UL94 V-0

Modularity box
Options
Other equipment

- Secondary line wiring with MARECHAL® socket-outlet.
- Accessories for fixing box to cable tray or ladder (option).
- "Power On" signal light (option).
- Plate for external fixing.
- Gasket for two cables*.

*Contact us for more details.

REFERENCES AND DIMENSIONS

JUNCTION BOX WITH OR WITHOUT THE NEED TO CUT THE CABLE

Made from halogen free glass fibre reinforced polyester compound, these boxes allow a service tap-off from the main through cable with or without the need to strip or cut the main cable. "Snail" type gaskets allow the immediate positioning of cables with a maximum diameter of 28 mm whilst creating an IP66 seal. The box lid, fitted with a retaining cord, is fixed to the box by means of captive stainless steel screws.

BOX EXPRESS®

Type	H x W x D in mm	Distribution
91150	191 x 254 x 111	<ul style="list-style-type: none"> - Maximum 2 tap-offs using 2 sockets - Maximum 4 tap-offs using glands

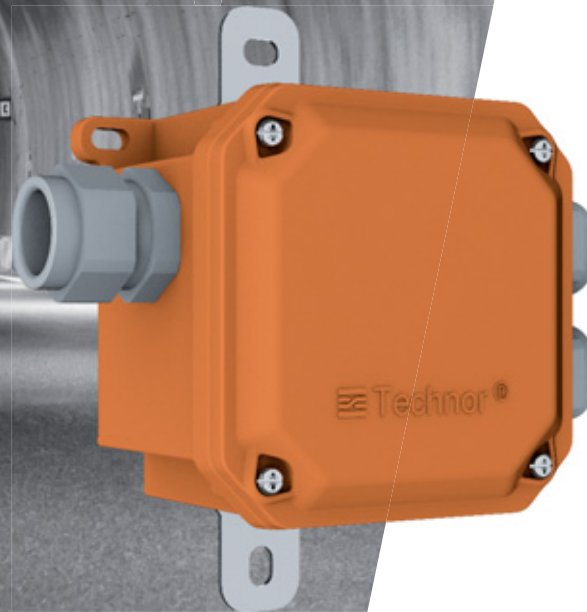


EMERGENCY LIGHTING

BOX B2 FIRE-RESISTANT

NF C 32-070 (DIN 4102-12 TO COME)

NEW



IP66
IP67



2 x 1,5 mm²
to 5 x 6 mm²



GRP



IK08



E90

OTHER FEATURES

Electrical continuity of the main power supply is guaranteed according to NF C 32-070 (DIN 4102-12 to come).

Service terminals	2 to 5 ceramic-isolated steel junction terminals mounted on a specific stainless steel rail fixed to the wall through a stainless steel base plate.
Cables accepted	Armoured and unarmoured cables, stranded or flexible, from 1.5 mm ² to 6 mm ² .
Earthing point	Inside and outside the enclosure.
Modularity box Options Other equipment	<ul style="list-style-type: none">• Secondary line wiring with MARECHAL[®] socket-outlet*.• Accessories for fixing box to cable tray or ladder.

*Contact us for more details.

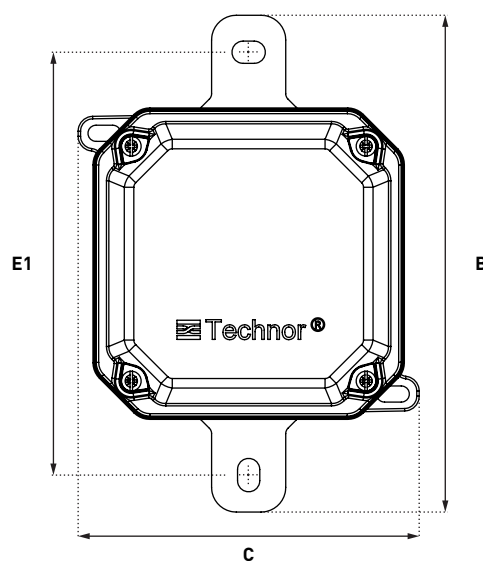
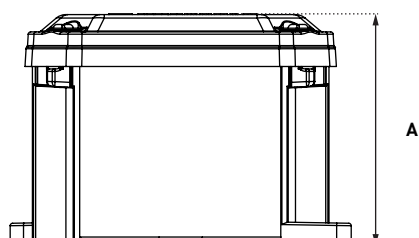
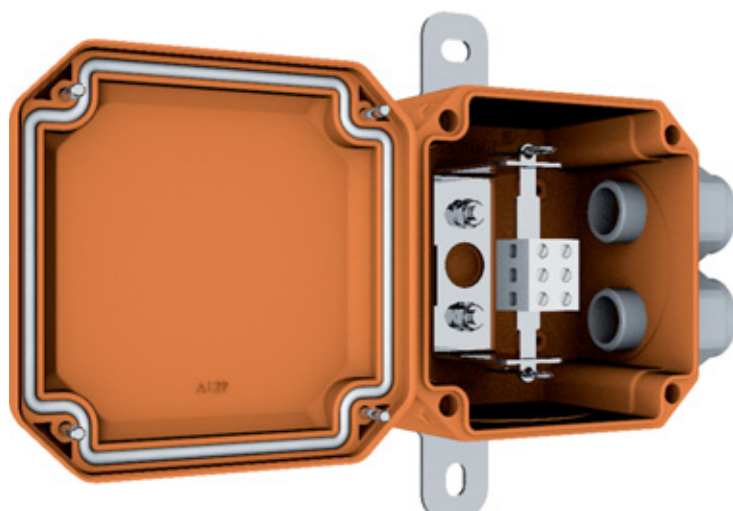
REFERENCES AND DIMENSIONS

FIRE-RESISTANT JUNCTION BOX

Made from polyamide, these boxes ensure the junction between one or more main through fire-resistant cables. The interconnection of crossing cables is performed thanks to ceramic-isolated steel junction terminals mounted on a specific steel rail. The box lid, which can be mounted on hinges as an option, is fixed by means of captive stainless steel screws.

BOX B2 FIRE-RESISTANT

Reference	W x H x D in mm	Distribution
91321	120 x 120 x 91	Maximum 4 tap-offs using glands
91361	160 x 160 x 91	Maximum 4 tap-offs using glands



	A	E1	B	C
120x120	94	171	201	138
160x160	94	215	245	178

EMERGENCY LIGHTING

BOX EXPRESS® XL
FIRE-RESISTANT

NF C 32-070
DIN 4102-12



IP66



GRP



IK09



NF C 32-070
DIN 4102-12

OTHER FEATURES

Electrical continuity of the main line is guaranteed according to NF C 32-070/DIN 4102-12 - E30 classification.

Tapping terminals	Quantities : up to 5 stainless steel terminals Technology: Insulation piercing terminal, fixed on a ceramic base (NF C 32-070/DIN 4102-12), or aerial (DIN 4102-12). Fixing: Wall mounted stainless steel plate by means of the box's plate.
Tapping protection	By circuit breaker fitted to DIN rail
Cables accepted	Armoured and unarmoured cables, stranded or flexible, from 4 mm ² to 35 mm ² , with an external diameter 13 to 29 mm. Configuration with cable cut is also possible.:
Earthing terminal	Inside and outside the enclosure
Fire smoke class	M1F0
Self extinguishing material	UL94 V-0
Modularity box Options Other equipment	<ul style="list-style-type: none"> • Secondary line wiring with MARECHAL® socket-outlet. • Accessories for fixing box to cable tray or ladder (option). • "Power On" signal light (option). • Possibility to use non-perforating terminals.

REFERENCES AND DIMENSIONS

JUNCTION BOX WITH OR WITHOUT THE NEED TO CUT THE CABLE

Made from halogen-free glass fibre reinforced polyester compound, these boxes allow a service tap-off from the main through cable with or without the need to strip or cut the main cable. Gaskets allow the immediate positioning of fire resistant cables with a maximum diameter of 29 mm whilst creating an IP66 seal. The box lid mounted on a stainless steel axis is fixed to the box by means of captive stainless steel screws.

BOX EXPRESS® XL FIRE-RESISTANT

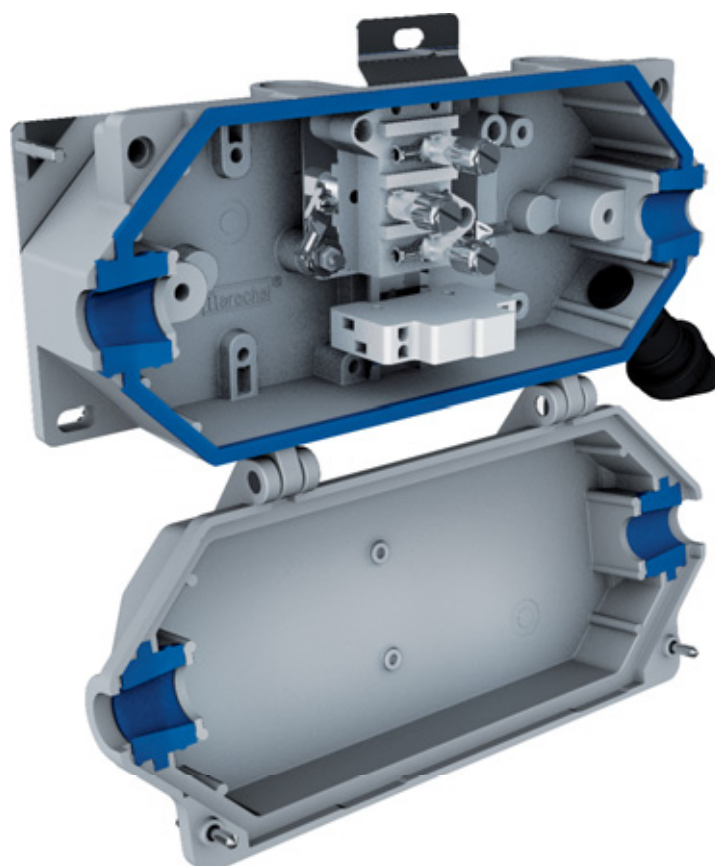
NF C 32-070

Type	Terminals	H x W x D in mm	Distribution
91251	Ceramic	175 x 362 x 99	- Maximum 2 tap-offs using 2 sockets - Maximum 4 tap-offs using glands

BOX EXPRESS® XL FIRE-RESISTANT

DIN 4102-12

Type	Terminals	W x H x D in mm	Distribution
91252 91253	Ceramic Loose	175 x 361 x 99	- Maximum 2 tap-offs using 2 sockets - Maximum 4 tap-offs using glands



EMERGENCY LIGHTING

BOX EXPRESS®
FIRE-RESISTANT

NF C 32-070
EN 50362
DIN 4102



IP66



GRP



IK09



NF C 32-070
EN 50362/E30 DIN 4102

OTHER FEATURES

Electrical continuity of the main power supply is guaranteed according to NF C 32-070/EN 50362 - 850°C/120min classification and DIN 4102 classification E30.

Service terminals

Quantités : Jusqu'à 5 bornes inox.
Technologie : Borne à perforation d'isolant, montée sur une embase céramique (NF C 32-070/EN 50362), ou volante (EN 50362).
Fixation : Platine inox, solidaire du mur par l'intermédiaire de la platine de fixation du coffret.

Service protection

By circuit breaker fitted to DIN rail

Cables accepted

Armoured and unarmoured cables, stranded or flexible, from 4 mm² to 35 mm² with an external diameter 9 to 28 mm.

Earthing point

Inside and outside the enclosure

Fire smoke class

M1F0

Self extinguishing material

UL94 V-0

Modularity box
Options
Other equipment

- Secondary line wiring with MARECHAL® socket-outlet.
- Accessories for fixing box to cable tray or ladder (option).
- "Power On" signal light (option).
- Possibility to use non-perforating terminals.
- Gasket for two cables*.

*Contact us for more details.

REFERENCES AND DIMENSIONS

FIRE-RESISTANT JUNCTION BOX

Made from halogen free glass fibre reinforced polyester compound or thermoplastic, these boxes allow a service tap-off from the main through cable without the need to strip or cut the main cable. "Snail" type gaskets allow the immediate positioning of fire resistant cables with a maximum diameter of 28 mm whilst creating an IP66 seal. The box lid, fitted with a retaining cord, is fixed to the box by means of captive stainless steel screws.

BOX EXPRESS® FIRE-RESISTANT

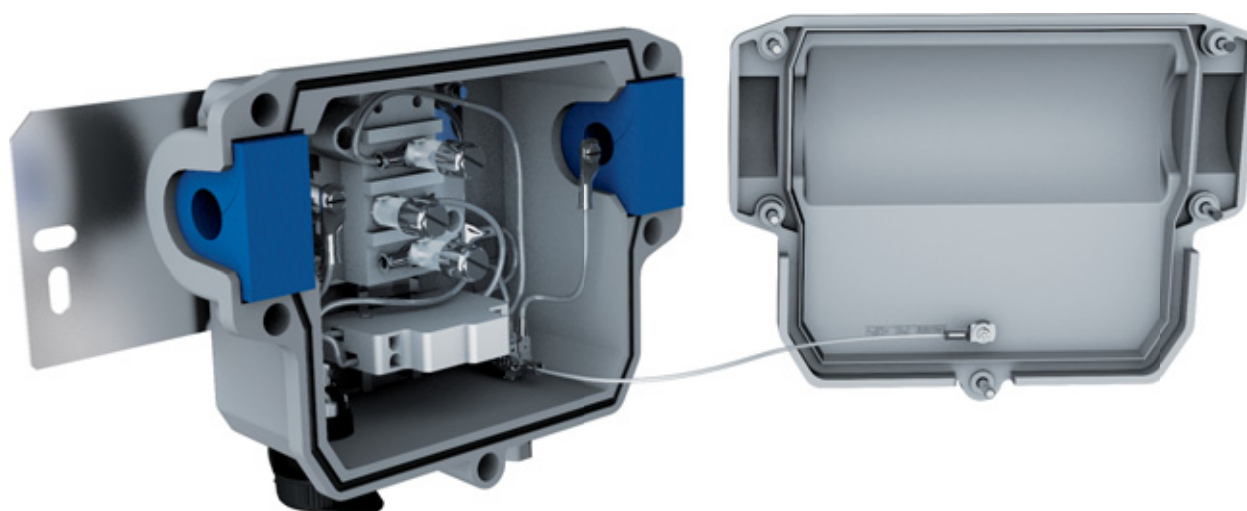
NF C 32-070

Type	Terminals	H x W x D in mm	Distribution
91151	Ceramic	191 x 254 x 111	- Maximum 2 tap-offs using 2 sockets - Maximum 4 tap-offs using glands

BOX EXPRESS® FIRE-RESISTANT

EN 50362

Type	Terminals	H x W x D in mm	Distribution
91154	Loose	191 x 254 x 111	- Maximum 2 tap-offs using 2 sockets - Maximum 4 tap-offs using glands

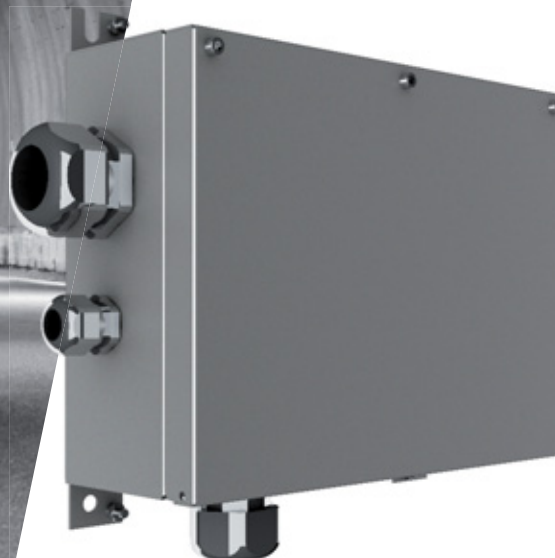


EMERGENCY SIGNALLING, SIGNPOSTING

BOX EQINOX FIRE-RESISTANT

NF C 32-070 + DIN 4102-12/E60

NEW



IP66/IP67



AISI 316L
STAINLESS STEEL



IK10



NF C 32-070
DIN 4102-12/E60

OTHER FEATURES

Electrical continuity of the main power supply is guaranteed according to NF C 32-070 (91141 type) and DIN 4102-12 (91142 type)

Service terminals	2 to 7 insulation-piercing, stainless steel terminals, fitted into a ceramic base.
Service protection	By circuit breaker fitted to DIN rail
Cables accepted	Armoured and unarmoured cables, stranded or flexible, from 25 mm ² to 120 mm ²
Earthing point	Inside and outside the enclosure
Fire smoke class	M0

Modularity box
Options
Other equipment

- Secondary line wiring with MARECHAL® socket-outlet.
- "Power On" signal light (option).

REFERENCES AND DIMENSIONS

FIRE-RESISTANT JUNCTION BOX

Made from AISI 316L stainless steel, these boxes ensure the junction between one or more main through fire-resistant cables (in compliance with NF C 32-070 or DIN 4102 or E30/E60/E90 type). Cable glands are fire-resistant and the inter-connection of crossing cables is performed thanks to stainless steel terminals mounted on ceramic plates. The box lid mounted on hinges is fixed by means of captive stainless steel screws.

BOX EQINOX FIRE-RESISTANT

Type	Norm	W x H x D in mm	Distribution
91141	NF C 32-070	140x200x130	Cable glands or MARECHAL® socket-outlets. Number of inputs/outputs depending on configuration.
91142	DIN 4102-12	200x270x130	
		270x350x130	
		350x350x160	
		350x500x160	
		500x500x160	



TUNNEL REFUGE POINT

FIRE BOXES



IP65
IP66/IP69



ALUMINIUM
GRP



IK09
IK09

OTHER FEATURES

Cables accepted

Armoured and unarmoured cables, stranded or flexible,
from 2.5 mm² to 25 mm²

Service protection

30 mA differential breaker

Earthing point

Inside and outside the enclosure

REFERENCES AND DIMENSIONS

ALUMINIUM BOX

Especially developed in collaboration with emergency services who specialise in tunnel rescue, this box is installed in a refuge point. Made from aluminium, this box is composed of a back plate, an inclined cover with mounted socket-outlets and an inspection window.

Power supply of this box is performed using 5G16 cables (max. conductor section). The box lid is fixed by means of captive stainless steel screws.

ALUMINIUM box

Type	H x W x D in mm	Distribution
91277	345 x 280 x 125	One or two MARECHAL® socket-outlet can be mounted on the inclined cover.



THERMOPLASTIC BOX

Natural evolution of the aluminum version, this enclosure has equivalent functions and increased environmental resistance with its IP66/IP69 level (high cleaning pressure) and the increased resistance to corrosion to protect from road-salting.

This box is composed of two parts fixed on hinges:

- a protection part, with a transparent window (locking key in option),
- an inclined cover with mounted socket-outlets.

Power supply of this box is performed using 5G25 cables (max. conductor section).

THERMOPLASTIC BOX

Type	H x W x D in mm	Distribution
3134017CDxx	342 x 225 x 156	One or two MARECHAL® socket-outlet can be mounted on the inclined cover.



TUNNEL REFUGE POINT

EMERGENCY SERVICE BOXES

NEW



IP66



AISI 316L
STAINLESS STEEL



IK10



NF C 32-070

OTHER FEATURES

Electrical continuity of the main power supply is guaranteed according to NF C 32-070.

Service terminals

2 to 5 stainless steel terminals mounted on ceramic plates.

Cables accepted

Armoured and unarmoured cables, stranded or flexible, from 1.5 mm² to 6 mm²

Earthing point

Inside and outside the enclosure

Fire smoke class

M0

REFERENCES AND DIMENSIONS

FIRE-RESISTANT SELF-POWERED PHONE BOX

Made from AISI 316L stainless steel, these boxes ensure the junction between the main through fire-resistant cable (CR1-C1 type in compliance with NF C 32-070)

Cable glands are fire-resistant and the inter-connection of crossing cables is performed thanks to stainless steel terminals mounted on ceramic plates.

The box lid mounted on hinges is fixed by means of captive stainless steel screws.

SELF-POWERED PHONE BOX

Type	H x W x D in mm	Distribution
91141	270 x 200 x 130	2 outputs with MARECHAL® metal PN socket-outlet.



125 A

690 V

U MAXI

DECONTACTOR™ DS F400



400 °C/2H

FIRE-RATED FOR TUNNEL JET FANS



IP66
IP67



10 - 35 mm² (1)
10 - 50 mm² (2)



METAL



IK09



400 °C/2h



AC-22
AC-23



60947-3
12101-3



2 AUX.



-40 °C
+60 °C

(1) Flexible wiring (min.-max.).
(2) Stranded wiring (min.-max.).
Earthing cable section 35 mm² max.



Other configurations
on request

LOAD-BREAK CAPABILITY OF THE DECONTACTOR™

Load-break capability according to IEC/EN 60947-3/AC-22	125 A - 690 V
Load-break capability according to IEC/EN 60947-3/AC-23	125 A-400 V - 63 A 690 V
Power kW AC-22/AC-23	110 kW/55 kW

OTHER FEATURES

Electrical continuity of the main power supply is guaranteed according to EN 12101-3 - 400°C/120min classification.

Compliant with European Low Voltage Directive 2014/35/EU



SOCKET-OUTLET
DS F400



INLET
DS F400

380-440 V AC	3P+E	3964F13	3968F13
660-690 V AC	3P+E	3964F93	3968F93
Auxiliaries 5 A/500 V AC	+ 2 contacts	Ref. + 972	Ref. + 972*

* Auxiliaries on connector side are shunted.

► Contact us for other configurations and references.


DS F400 PLUGS AND SOCKET-OUTLETS FACILITATE THE COMPLIANCE OF:


- electrical machinery
 - ▶ to the "Machinery" European Directive on isolating device,
 - ▶ to the standard EN 60204-1 : Safety of machinery-electrical equipment of machines,
 - ▶ to the standard EN ISO 14118 : Safety of machinery - Prevention of unexpected start-up.
- smoke ventilators to the standard EN 12101-3 (fire resistance classification F400: 400°C/2h)


DS F400 plugs and socket-outlets comply with:


- European Directives Low Voltage and RoHS (affixing of CE marking).
- REACH European Regulation,
- standard IEC/EN 60947-3 (dealing with the load breaking capacities of AC-22 and AC-23 utilization categories).

OPTION	Reference
LOCKING PIN FOR 2 PADLOCKS Ø 4 TO 8 mm (PADLOCKS NOT SUPPLIED)	
	Réf + 843

WALL BOXES	Input	Reference
METAL BOX WITHOUT CABLE GLAND (+ EARTHING WIRE + METAL SLEEVE) UP TO 50 mm ² - Contact us for special cables		
	30°	M25 574C3M25185
	30°	M32 574C3M32185
	30°	M40 574C3M40185
	30°	M50 574C3M50185

METAL BOX WITH STRANDED CONDUCTOR WITH SECTION >50 mm ²	Reference
	Contact us.

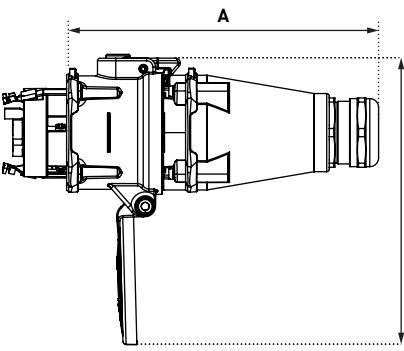
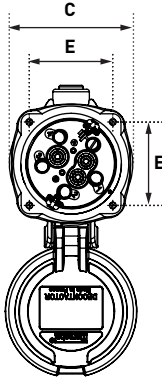
HANDLES	Input	Reference
METAL HANDLE WITHOUT CABLE GLAND (+ EARTHING WIRE) - Contact us for special cables		
	M25	574P0M25185
	M32	574P0M32185
	M40	574P0M40185
	M50	574P0M50185

CABLE GLAND	Cable outer Ø	Input	Reference
	8 - 16 mm	M25	9PEM25METAL+J
	16 - 24 mm	M32	9PEM32METAL+J
	22 - 32 mm	M40	9PEM40METAL+J
	34 - 44 mm	M50	9PEM50METAL+J

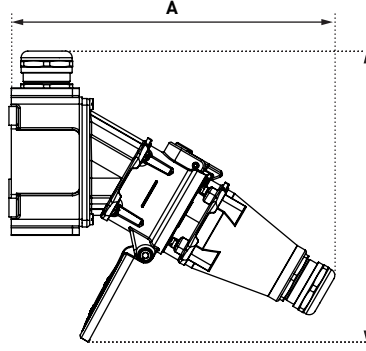
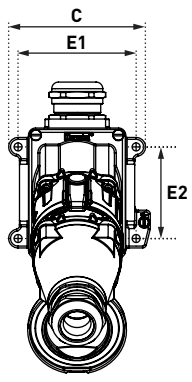
OUR CERTIFICATIONS



PLUG ON SOCKET OUTLET

	
A	E1
248	66
B	C
230	105

PLUG ON SOCKET MOUNTED ON WALL BOX

	
A	E1
345	125
B	E2
308	97
C	
150	

CONNECTORS



DECONTACTOR™ AND PLUGS

RANGE	CURRENT	U MAX AC	MAX NB OF CONTACTS	MAX NUMBER OF AUX./PIL.	DECONTACTOR™
PNCX	5 A	250 V	4+E	/	/
DXN1	20 A	550 V	4+E	/	Yes
DXN1 z. 2-22	20 A	440 V	4+E	2 PIL.	/
DXA1	20 A	550 V	4+E	/	Yes
DX1	20 A	750 V	4+E	/	Yes
DX3	32 A	750 V	4+E	/	Yes
DXN3	32 A	750 V	4+E	2 AUX.	Yes
DXN3 z. 2-22	40 A	690 V	4+E	2 AUX.	/
DXN6	63 A	750 V	4+E	2 AUX.	Yes
DXN6 z. 2-22	63 A	1000 V	4+E	2 AUX.	/
DX6	63 A	750 V	4+E	/	Yes
DX9	125 A	750 V	4+E	/	Yes
DX2	200 A	750 V	4+E	/	Yes



SINGLE POLE

SPeX	680 A	1 000 V	1	/	/
------	-------	---------	---	---	---



MULTICONTACTS

PXN12C	10 A	220 V	11+E	/	/
DXN25C	10 A	440 V	24+E	/	/
DXN37C	10 A	230 V	36+E	/	/

DOWNLOAD ALL TECHNICAL DATA SHEETS FROM
OUR FROM OUR WEBSITE **MARECHAL.COM**


SELECTION GUIDE

MATERIAL	IP	IK	ATEX ZONES	PROTECTION MODE	PAGE
POLY	IP66/IP67/IP69	IK08	1, 2, 21, 22	e, tb	236
POLY	IP66/IP67	IK09	1, 2, 21, 22	db eb, tb	238
POLY	IP66/IP67	IK09	2, 22	ec, tc	240
METAL	IP66/IP67	IK10	1, 2, 21, 22	db eb, tb	244
METAL	IP65	IK10	1, 2, 21, 22	d e, tD	248
METAL	IP65	IK10	1, 2, 21, 22	d e, tD	250
POLY	IP66/IP67	IK09	1, 2, 21, 22	db eb, tb	252
POLY	IP66/IP67	IK09	2, 22	ec, tc	254
POLY	IP66/IP67	IK09	1, 2, 21, 22	db eb, tb	258
POLY	IP66/IP67	IK09	2, 22	ec, tc	260
METAL	IP65/IP66	IK10	1, 2, 21, 22	d e, tD	264
METAL	IP65/IP66	IK10	1, 2, 21, 22	d e, tD	266
METAL	IP65/IP66	IK10	1, 2, 21, 22	d e, tD	268
POLY	IP65/IP66	IK08	1, 2, 21, 22	e, tb	272
METAL	IP65/IP66	IK09	1, 2, 21, 22	e or i, tb	278
METAL	IP66/IP67	IK09	1, 2, 21, 22	e or i, tb	282
METAL	IP66/IP67	IK09	1, 2, 21, 22	e or i, tb	286

MAIN FEATURES

5 A

PNCX CONNECTOR

 II 2 G D Ex e IIC, Ex tb III C
IP66/IP67/IP69
GRP casing



PNCX CONNECTORS FACILITATE THE COMPLIANCE OF ELECTRICAL INSTALLATION TO:

- - the national regulations relating to the improvement of safety and health of workers at work in France, Italy, Spain, Belgium,
- - the installation standards: IEC/EN 60079-14, IEC/HD 60364 (international) and NF C 15-100 (France).

PNCX connectors comply with:

- - ATEX European Directive (affixing "Ex" symbol and CE marking),
- - RoHS Directive (affixing CE marking),
- - REACH European Regulation,
- IEC/EN 61984, IEC/EN 60529, IEC/EN 62262, IEC/EN 60079-0, IEC/EN 60079-7 and IEC/EN 60079-31 international and European standards.


PNCX CERTIFICATION BODIES

PNCX are certified by LCIE (ATEX and IECEx), NANIO (TR CU EAC) and EXPLOLABS (SANS) (French, Russian and South African notified bodies).



20 A ►► 63 A

DXN DECONTACTOR™

 II 2 G D Ex db eb IIC, Ex tb III C
IP66/IP67
Breaking capacity
GRP casing



Zone 2-22
version available

DECONTACTOR™ DXN FACILITATE THE COMPLIANCE OF:

- - electrical machinery to the Machinery European Directive regarding isolation device and to EN 60204-1 standard: Safety of machinery - electrical equipment of machines,
- - electrical installation to French decree of 30 aout 2010 and 22 septembre 2010 relating to health and safety at work when using electrical installations,
- - electrical installation to national regulation relating to the improvement of the safety and health of workers at work in Italy, Spain, Belgium,
- - electrical installation to the installation standards: IEC/EN 60079-14, IEC/HD 60364 (international), NF C 15-100 (France) and CSA Z462 (Canada).

DECONTACTOR™ DXN comply with:

- - ATEX European Directive (affixing "Ex" symbol and CE marking),
- - RoHS Directive (affixing CE marking),
- - REACH European Regulation,
- IEC/EN 60079-0, IEC/EN 60079-1, IEC/EN 60079-7, IEC/EN 60079-31, IEC/EN 60309-1 and IEC/EN 60309-4 standards.
- Bureau Veritas Marine specifications.

DXN CERTIFICATION BODIES

Products are certified by LCIE (ATEX and IECEx), NANIO (TR CU EAC), NCC (INMETRO), KGS (KCS), CLMEx (Japan), EXPLOLABS (SANS) and cCSAus (French, South Korean, Russian, Brazilian, English [for Japan] and American and Canadian* notified bodies) and BUREAU VERTIAS MARINE.

(*) for North American market.





20A

DXA1 DECONTACTOR™

II 2 G D Ex db eb IIC, Ex tb III C
IP66/IP67

Breaking capacity

Low temperature resistance -55°C

Metal casing



30 A » 200 A

DX DECONTACTOR™

II 2 G D Ex de IIC, tD A21, IP65

Breaking capacity

Metal casing

Padlocking when connected or disconnected



DECONTACTOR™ DXA1 AND DX FACILITATE THE COMPLIANCE OF:

- electrical machinery to the Machinery European Directive regarding isolation device and to EN 60204-1 standard: Safety of machinery electrical equipment of machines,
- electrical installation to French decree of 30 aout 2010 and 22 septembre 2010 relating to health and safety at work when using electrical installations,
- electrical installation to national regulation relating to the improvement of the safety and health of workers at work in Italy, Spain, Belgium,
- electrical installation to the installation standards: IEC/EN 60079-14, IEC/HD 60364 (international), NF C 15-100 (France), CSA Z462 (Canada).

DECONTACTOR™ DXA1 and DX comply with:

- ATEX European Directive (affixing "Ex" symbol and CE marking),
- RoHS Directive (affixing CE marking),
- REACH European Regulation,
- IEC/EN 60079-0, IEC/EN 60079-1, IEC/EN 60079-7, IEC/EN 60079-31, IEC/EN 60309-1, IEC/EN 60309-4 standards.

DXA1 CERTIFICATION BODIES

Products are certified by LCIE (ATEX and IECEx), KGS (KCS), NANIO (TR CU EAC) and cCSAus (French, South Korean, Russian and American and Canadian* notified bodies).

(* for North American market.

DX CERTIFICATION BODIES

Products are certified by LCIE (ATEX and IECEx), NANIO (TR CU EAC) and EXPLORLABS (SANS) (French, Russian, South African notified bodies).




5A

250 V
U MAX

CONNECTOR PNCX



MARECHAL ELECTRIC FRANCE

 Ex II 2 G D Ex e IIC T6 Gb
 Ex tb IIIC T72 °C Db
 -20 °C ≤ Ta ≤ +70 °C
 IECEx LCIE 16.0001X/LCIE 16 ATEX 3001X



IP66
IP67
IP69



0,75 mm²
2,5 mm²



GRP



IK08



-20 °C
+70 °C



ATEX



1, 2,
21, 22

OTHER FEATURES

Impulse withstand voltage	5 kV
Contact resistance	<2 mΩ
Casing/insulator	Glass reinforced thermoplastics UL94 V-0
Load cycles	> 2 000 cycles
Salt mist	50 000 hours

STANDARDS



International and European IEC/EN standards	61984, 60529, 62262, 60079-0, 60079-7 and 60079-31
Protection mode	e, tb



REFERENCES AND ACCESSORIES




Coupler socket and plug caps are fitted as standard.

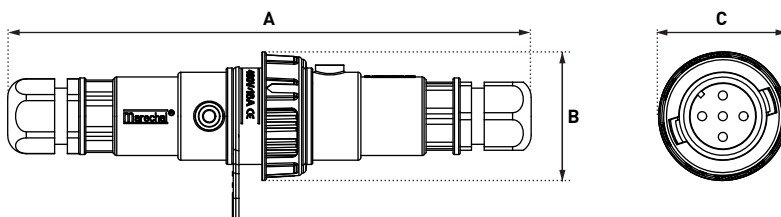
			SOCKET-OUTLET female (with lock nut) PNCX		INLET male (with lock nut) PNCX	
250 V AC	4P+T			06E4007		06E8007
		CABLE OUTER Ø	COUPLER SOCKET female PNCX		PLUG male PNCX	
250 V AC	4P+T	10-14 mm		06E3007		06E1007

OPTIONS	Reference
PROTECTIVE CAPS	
 Socket-outlet cap	01EA125
Inlet cap	01EA126
ADAPTER PLATE FOR DXN1 ACCESSORIES (SEE PAGE 239)	
	251A457-E









HANDLE	Input/Cable outer Ø	Reference
WITH INLET WITHOUT CABLE GLAND		
	M20	06E1007417
WITH SOCKET-OUTLET WITHOUT CABLE GLAND		
	M20	06E3007417






CABLE GLAND	Input/Cable outer Ø	Reference
	5 - 9 mm	9PEM20EX-RED

DRAWINGS AND DIMENSIONS







A	B	C
185	45	45

OPTIONS	Reference
LOCKING PIN FOR 2 PADLOCKS Ø 4 TO 8 mm (PADLOCK NOT SUPPLIED)	
	Socket-outlet ref. +843
SAFETY HASP FOR UP TO 6 PADLOCKS	
	399A541
LARGER RELEASE BUTTON	
	Ref. socket +453
INLET CAP IP66/IP67	
	251A426
IN-LINE CONNECTIONS (A PAIR OF FINGER DRAW PLATES TO AID CLOSING)	
	611A346
SELF CLOSING/SELF RETURNING LID	
	Socket-outlet ref.+R
COMPATIBILITY WITH DSN SOCKET-OUTLET (INDUSTRIAL RANGE)	
	Contact us.
SELF-EJECTION	
	See page 192

WALL BOX	Incline angle	Input/ Cable outer Ø	Reference
WALL BOX POLY WITH EX POLY CABLE GLAND			
	30°	5-10 mm	251AB5316P
	30°	10-14 mm	251AB53
	30°	12-18 mm	251AB5325P
WALL BOX POLY WITHOUT CABLE GLAND			
	30°	M20	251AB53417
	30°	M25	251AB53418
WALL BOX POLY WITH EX POLY CABLE GLAND			
	70°	10-14 mm	251AB8820P
	70°	12-18 mm	251AB8825P
	70°	16-25 mm	251AB8832P
120 X 120 mm			
WALL BOX POLY WITH METAL CABLE GLAND WITH EARTH CONTINUITY			
	70°	8-10 mm	251AB8820M
	70°	12-14 mm	251AB8825M
	70°	18-24 mm	251AB8832M
120 X 120 mm			
WALL BOX POLY WITH TERMINAL BLOCKS (IECEx LCIE 16.0042X/LCIE 16 ATEX 3054X)			
	70°	10-14 mm	251A08820P ⁽¹⁾
	70°	12-18 mm	251A08825P ⁽¹⁾
120 X 120 mm			

1. Delivered with two predrilled entries fitted with 1 cable gland and 1 stopping plugs, 8+2 terminals up to 4 mm² with 2.5 mm² wires. Wiring : 1-4 mm². For other configurations, contact us.

HANDLES	Cable outer Ø	Reference
POLY HANDLE WITH GLAND EX POLY		
	10-14 mm	251A753
	12-18 mm	251A25325P
	16-25 mm	251A25332P
POLY HANDLE WITH EX POLY GLAND FOR SELF-EJECTION OPTION		
	10-14 mm	251A463
	12-18 mm	251A44325P
STRAIGHT POLY HANDLE WITH METAL CABLE GLAND WITH EARTH CONTINUITY		
	8-10 mm	251A25320M
	12-14 mm	251A25325M
	18-24 mm	251A25332M

SLEEVE	Incline angle	Reference
INCLINED POLY SLEEVE		
	30°	251A057
	70°	251A757

20 A

440 V

U MAXI

ZONE 2-22 PLUGS & SOCKETS DXN1



MARECHAL ELECTRIC FRANCE

II 3 G D

Ex ec IIC T* Gc

Ex tc IIIC T* Dc

*-40 °C ≤ Ta ≤ +60 °C T5 T95 °C

-40 °C ≤ Ta ≤ +40 °C T6 T75 °C

TF: MAR X 23.0002



IP66
IP67



1-2,5 mm² (1)
1,5-4 mm² (2)



GRP



IK09



-40 °C
+60 °C



ATEX



2, 22



2 PIL⁽³⁾

(1) Flexible wiring (min.-max.).
(2) Stranded wiring (min.-max.).
(3) Câblage souple 0,8 mm².



Other configurations
on request

TEMPERATURE RATING

Gas temperature classes	T6 for an ambient T° between -40 °C and +40 °C
	T5 for an ambient T° between -40 °C and +60 °C
Dust surface temperature classes	Surface T° ≤ 75 °C for an ambient T° between -40 °C and +40 °C
	Surface T° ≤ 95 °C for an ambient T° between -40 °C and +60 °C

STANDARDS

International and European IEC/EN standards	60079-0, 60079-7, 60079-31
Protection mode	ec, tc

SOCKET-OUTLET

female
DXN1



INLET* male
DXN1










20-24 V AC	2P	251408AMZ2	251808AMZ2
220-250 V AC	1P+N+E	2514015MZ2	2518015MZ2
380-440 V AC	3P+E	2514013MZ2	2518013MZ2
380-440 V AC	3P+N+E	2514017MZ2	2518017MZ2



► Other currents, voltages, frequencies and contact configurations are available (see page 14).
* inlet cap included.




Each socket outlet
or inlet must be
associated with a box,
a sleeve or a handle.

OPTIONS	Reference
SAFETY HASP FOR UP TO 6 PADLOCKS	
	399A541
LARGER RELEASE BUTTON	
	Ref. socket +453
INLET CAP IP66/IP67	
	251A426
IN-LINE CONNECTIONS (A PAIR OF FINGER DRAW PLATES TO AID CLOSING)	
	611A346
SELF CLOSING/SELF RETURNING LID	
	Socket-outlet ref.+R
COMPATIBILITY WITH DSN SOCKET-OUTLET (INDUSTRIAL RANGE)	
	Contact us.

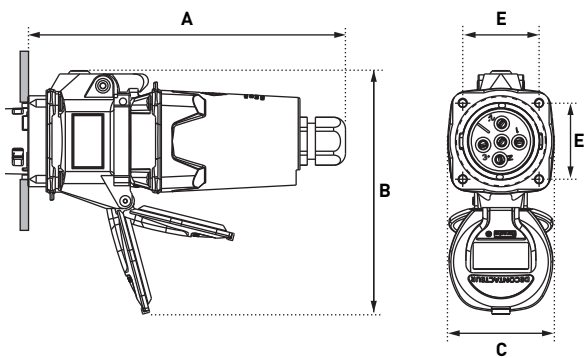
WALL BOX	Incline angle	Input/ Cable outer Ø	Reference
WALL BOX POLY WITH EX POLY CABLE GLAND			
	30°	5-10 mm	251AB5316P
	30°	10-14 mm	251AB53
	30°	12-18 mm	251AB5325P
WALL BOX POLY WITHOUT CABLE GLAND			
	30°	M20	251AB53417
	30°	M25	251AB53418
WALL BOX POLY WITH EX POLY CABLE GLAND			
	70°	10-14 mm	251AB8820P
	70°	12-18 mm	251AB8825P
	70°	16-25 mm	251AB8832P
120 X 120 mm			
WALL BOX POLY WITH METAL CABLE GLAND WITH EARTH CONTINUITY			
	70°	8-10 mm	251AB8820M
	70°	12-14 mm	251AB8825M
	70°	18-24 mm	251AB8832M
120 X 120 mm			
WALL BOX POLY WITH TERMINAL BLOCKS (TF: MAR X 14.0001)			
	70°	10-14 mm	Contact us
	70°	12-18 mm	Contact us
120 X 120 mm			

HANDLES	Cable outer Ø	Reference
POLY HANDLE WITH GLAND EX POLY		
	10-14 mm	251A753
	12-18 mm	251A25325P
	16-25 mm	251A25332P
STRAIGHT POLY HANDLE WITH METAL CABLE GLAND WITH EARTH CONTINUITY		
	8-10 mm	251A25320M
	12-14 mm	251A25325M
	18-24 mm	251A25332M

SLEEVE	Incline angle	Reference
INCLINED POLY SLEEVE		
	30°	251A057
	70°	251A757

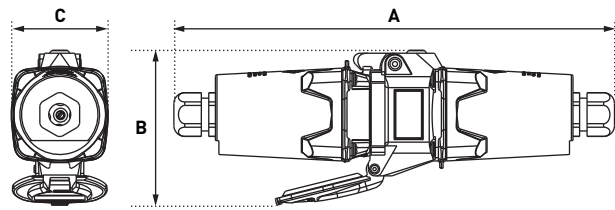
DRAWINGS AND DIMENSIONS

PLUG ON SOCKET-OUTLET



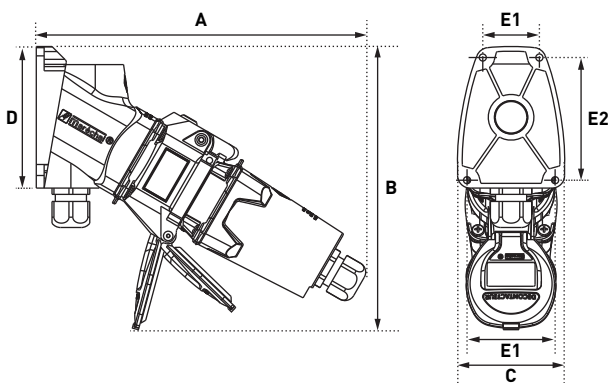
A	B	C	E
165	134	58	42

COUPLER



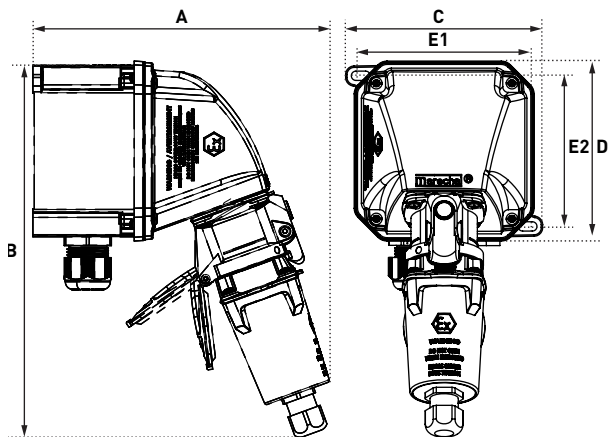
A	B	C
266	89	58

PLUG ON 30° WALL MOUNTED SOCKET OUTLET



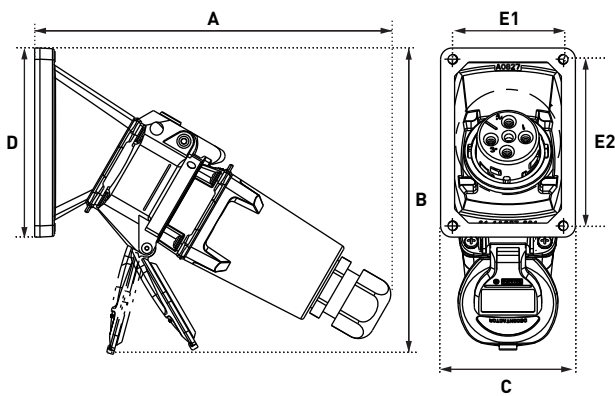
A	B	C	D	E1	E2
209	180	68	90	36/56	79

PLUG ON 70° WALL-MOUNTED SOCKET-OUTLET



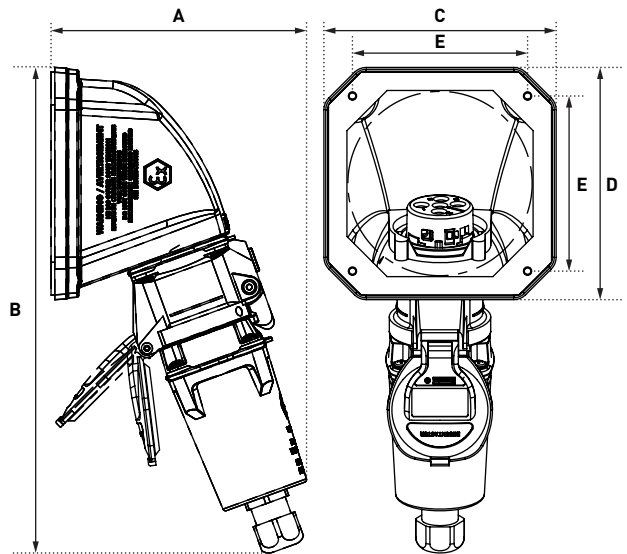
A	B	C	D	E1	E2
208	264	138	126	117	105.5

PLUG ON 30° INCLINED SOCKET-OUTLET



A	B	C	D	E1	E2
203	175	77	108	64	96

PLUG ON 70° INCLINED SOCKET-OUTLET



A	B	C	D	E
139	264	126	126	95



20 A

550 V
U MAXI

DECONTACTOR™ DXA1



MARECHAL ELECTRIC FRANCE

II 2 G D

Ex db eb IIC T* Gb

Ex tb IIIC T* Db

-55 °C ≤ Ta ≤ +40 °C

T6

T68 °C

-55 °C ≤ Ta ≤ +60 °C

T5

T88 °C

LCIE 15 ATEX 3033X/IECEX LCIE 15.0030X



IP66
IP67



1-4 mm² (1)
1,5-6 mm² (2)



METAL



IK10



-55 °C
+60 °C



AC-22
AC-23



ATEX



1, 2,
21, 22



EMC

(1) Flexible wiring (min.-max.).
(2) Stranded wiring (min.-max.).

TEMPERATURE RATING

Gas temperature classes

T6 for an ambient T° between -55 °C and +40 °C

T5 for an ambient T° between -55 °C and +60 °C

Dust surface temperature classes

Surface T° ≤ 68 °C for an ambient T° between -55 °C and +40 °C

Surface T° ≤ 88 °C for an ambient T° between -55 °C and +60 °C

STANDARDS

International and European
IEC/EN standards

60079-0, 60079-1, 60079-7, 60079-31, 60309-1, 60309-4, 60947-3

Protection mode

db eb, tb

SOCKET-OUTLET
female
DXA1



PLUG male
DXA1



220-250 V AC	1P+N+E	2914015	2918015
380-440 V AC	3P+E	2914013	2918013
380-440 V AC	3P+N+E	2914017	2918017

WALL MOUNTING
socket female
DXA1



PLUG male
DXA1



220-250 V AC	1P+N+E	M20	8-13 mm	2914015 + 291A053	2918015 + 291A963
220-250 V AC	1P+N+E	M25	9-16 mm	2914015 + 291A05325M	2918015 + 291A95325M
220-250 V AC	1P+N+E	M32	12-21 mm	2914015 + 291A653	2918015 + 291A95332M
380-440 V AC	3P+E	M20	8-13 mm	2914013 + 291A053	2918013 + 291A963
380-440 V AC	3P+E	M25	9-16 mm	2914013 + 291A05325M	2918013 + 291A95325M
380-440 V AC	3P+E	M32	12-21 mm	2914013 + 291A653	2918013 + 291A95332M
380-440 V AC	3P+N+E	M20	8-13 mm	2914017 + 291A053	2918017 + 291A963
380-440 V AC	3P+N+E	M25	9-16 mm	2914017 + 291A05325M	2918017 + 291A95325M
380-440 V AC	3P+N+E	M32	12-21 mm	2914017 + 291A653	2918017 + 291A95332M

INCLINED SOCKET
female
DXA1



INCLINED APPLIANCE inlet male
DXA1



220-250 V AC	1P+N+E	2914015 + 291A027	2918015 + 291A027
380-440 V AC	3P+E	2914013 + 291A027	2918013 + 291A027
380-440 V AC	3P+N+E	2914017 + 291A027	2918017 + 291A027

COUPLER SOCKET
female
DXA1

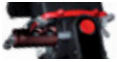




WALL MOUNTING
appliance inlet male
DXA1



220-250 V AC	1P+N+E	M20	8-13 mm	2914015 + 291A963	2918015 + 291A053
220-250 V AC	1P+N+E	M25	9-16 mm	2914015 + 291A95325M	2918015 + 291A05325M
220-250 V AC	1P+N+E	M32	12-21 mm	2914015 + 291A95332M	2918015 + 291A653
380-440 V AC	3P+E	M20	8-13 mm	2914013 + 291A963	2918013 + 291A053
380-440 V AC	3P+E	M25	9-16 mm	2914013 + 291A95325M	2918013 + 291A05325M
380-440 V AC	3P+E	M32	12-21 mm	2914013 + 291A95332M	2918013 + 291A653
380-440 V AC	3P+N+E	M20	8-13 mm	2914017 + 291A963	2918017 + 291A053
380-440 V AC	3P+N+E	M25	9-16 mm	2914017 + 291A95325M	2918017 + 291A05325M
380-440 V AC	3P+N+E	M32	12-21 mm	2914017 + 291A95332M	2918017 + 291A653

► Other currents, voltages, frequencies and contact configurations are available (see page 14).

OPTIONS	Reference
LOCKING PIN FOR 2 PADLOCKS Ø 4 TO 8 mm (PADLOCKS NOT SUPPLIED)	
	Ref. + 843
INLET CAP IP66/IP67	
	291A426
IN-LINE CONNECTIONS (A PAIR OF FINGER DRAW PLATES TO AID CLOSING)	
	291A346

For other Ex cable glands, contact us.



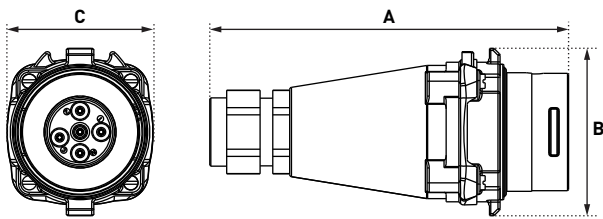
ELECTROMAGNETIC COMPATIBILITY (EMC) **NEW**



Please order an Ex EMC cable gland to be found on page 318.

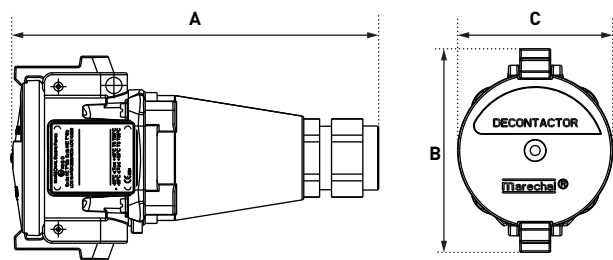
DRAWINGS AND DIMENSIONS

PLUG



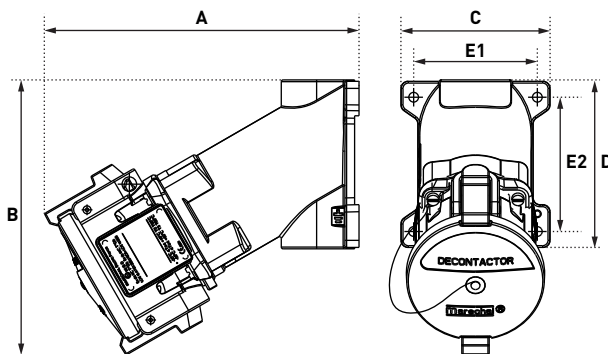
A	B	C
170	79	70

MOBILE SOCKET



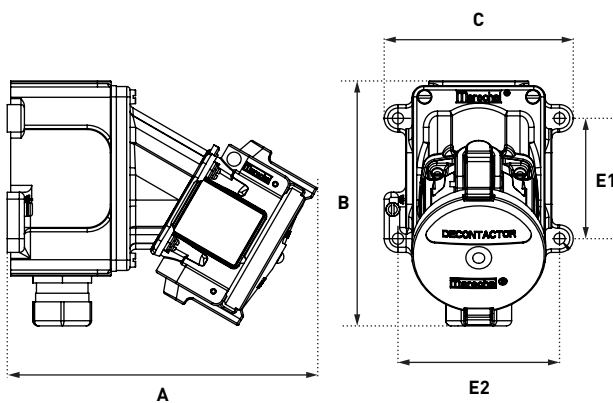
A	B	C
185	103	78

SOCKET MOUNTED ON 30° WALL BOX M20 - M25



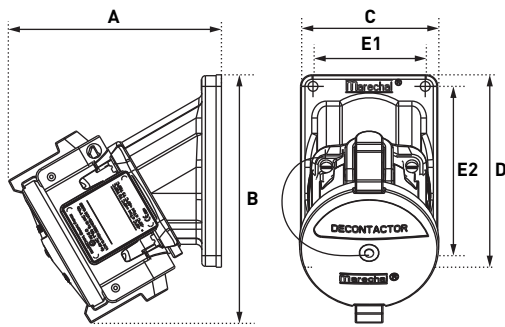
A	B	C	D	E1	E2
178	156	84	95	70	76

SOCKET MOUNTED ON 30° WALL BOX M32



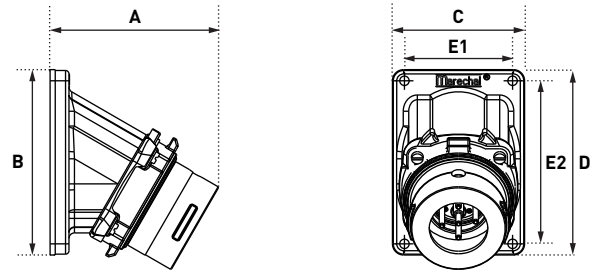
A	B	C	D	E1	E2

SOCKET ON 30° INCLINED SLEEVE



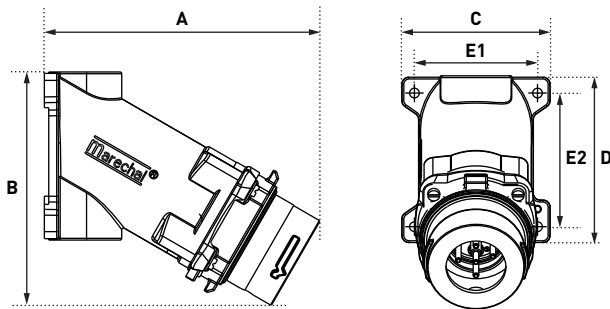
A	B	C	D	E1	E2
120	140	77	108	63	95

PLUG ON 30° INCLINED SLEEVE



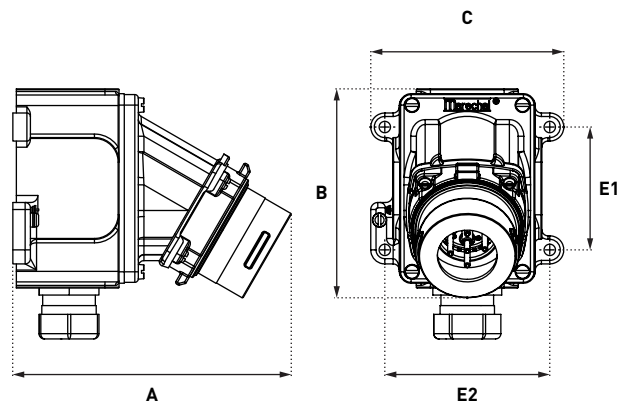
A	B	C	D	E1	E2
98	117	77	108	63	95

PLUG ON 30° WALL BOX M20 - M25



A	B	C	D	E1	E2
157	133	84	95	70	76

PLUG ON 30° WALL BOX M32



A	B	C	E1	E2
159	119	110	70	94

20 A

750 V
U MAXI

DECONTACTOR™ DX1



MARECHAL ELECTRIC FRANCE

II 2 G D Ex de IIC tD A21
 -25 °C ≤ Ta ≤ +60 °C T5 T84 °C
 -25 °C ≤ Ta ≤ +50 °C T6 T74 °C
 IECEx LCI 09.0014/LCIE 05 ATEX 6127



IP65



2,5-10 mm² (1)



METAL



IK10



-25 °C
+60 °C



ATEX



1, 2,
21, 22



EMC

(1) Flexible and stranded wiring (min.-max.).



Other configurations
on request

Locking position
connected or
disconnected by
lockable shaft.

STANDARDS

International and European
IEC/EN standards

60079-0, 60079-1, 60079-7, 60079-31, 60309-1, 60309-4,

Protection mode

de, tD



Each socket outlet
or inlet must be
associated with a box,
a sleeve or a handle.

SOCKET-OUTLET
female
DX1



**INCLINED
APPLIANCE**
inlet
DX1




PLUG
male
DX1




220-250 V AC	1P+N+E	2624015	2626015	8-13 mm	2621015
380-440 V AC	3P+E	2624013	2626013	8-13 mm	2621013
380-440 V AC	3P+N+E	2624017	2626017	8-13 mm	2621017


► Other currents, voltages, frequencies and contact configurations are available (see page 14).


REFERENCES ACCESSORIES

WALL BOX	Cable gland entry	Cable outer Ø	Reference
WALL BOX METAL 90° EX METAL CABLE GLAND INCLUDED*			
	M20	8-13 mm	262AB53
	M25	9-16 mm	262AB5325M
	M32	12-21 mm	262AB5332M

* Optional versions for earth continuity are available, please contact us

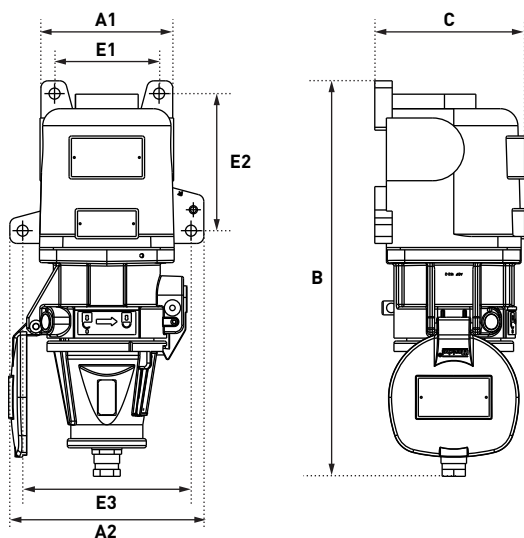
HANDLES	Cable gland entry	Cable outer Ø	Reference
STRAIGHT HANDLE METAL BOX EX METAL CABLE GLAND INCLUDED*			
	M20	8-13 mm	262A963
	M25	9-16 mm	262A95325M
	M32	12-21 mm	262A95332M

OPTIONS	Reference
INLET CAP IP66/IP67	
	262A926

ELECTROMAGNETIC COMPATIBILITY (EMC)	NEW
	Please order a metal accessory herewith, together with a Ex EMC cable gland to be found on page 318.

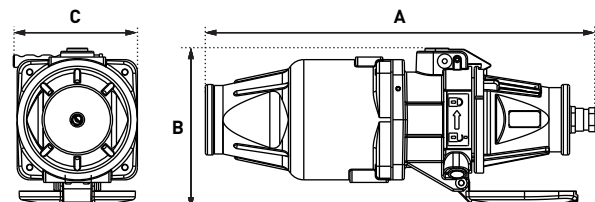
DRAWINGS AND DIMENSIONS

PLUG ON WALL MOUNTED SOCKET



A1	A2	B	C	E1	E2	E3
115	145	341	129	90	118	168

COUPLER

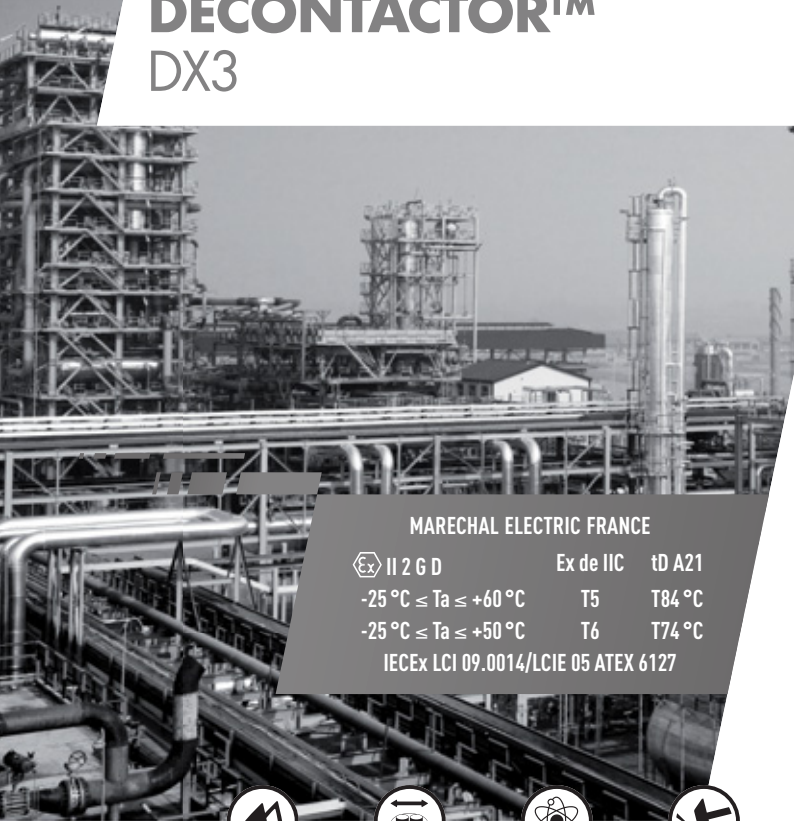


A	B	C
116	154	352

32 A

750 V
U MAX

DECONTACTOR™ DX3



MARECHAL ELECTRIC FRANCE

II 2 G D Ex de IIC tD A21
 -25 °C ≤ Ta ≤ +60 °C T5 T84 °C
 -25 °C ≤ Ta ≤ +50 °C T6 T74 °C
 IECEx LCI 09.0014/LCIE 05 ATEX 6127



IP65



2,5-10 mm² (1)



METAL



IK10



-25 °C
+60 °C



ATEX



1, 2,
21, 22



EMC

(1) Flexible and stranded wiring (min.-max.).



**Other configurations
on request**

**Locking position
connected or
disconnected by
lockable shaft.**

STANDARDS

International and European
IEC/EN standards

60079-0, 60079-1, 60079-7, 60079-31, 60309-1, 60309-4,

Protection mode

de, tD



**Each socket outlet
or inlet must be
associated with a box,
a sleeve or a handle.**

SOCKET-OUTLET
female
DX3



**INCLINED
APPLIANCE**
inlet
DX3




PLUG
male
DX3




220-250 V AC	1P+N+E	2634015	2636015	9-16 mm	2631015
380-440 V AC	3P+E	2634013	2636013	9-16 mm	2631013
380-440 V AC	3P+N+E	2634017	2636017	9-16 mm	2631017

► Other currents, voltages, frequencies and contact configurations are available (see page 14).


REFERENCES ACCESSORIES

WALL BOX	Cable gland entry	Cable outer Ø	Reference
WALL BOX METAL 90° EX METAL CABLE GLAND INCLUDED*			
	M20	8-13 mm	263AB5320M
	M25	9-16 mm	263AB53
	M32	12-21 mm	263AB5332M

* Optional versions for earth continuity are available, please contact us

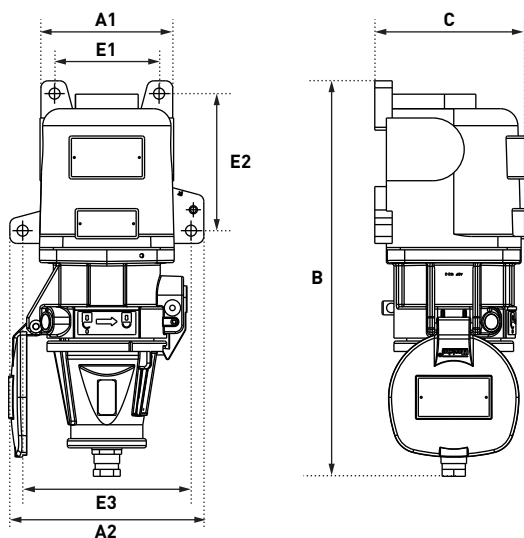
HANDLES	Cable gland entry	Cable outer Ø	Reference
STRAIGHT HANDLE METAL BOX EX METAL CABLE GLAND INCLUDED*			
	M20	8-13 mm	263A95320M
	M25	9-16 mm	263A963
	M32	12-21 mm	263A95332M

OPTIONS	Reference
INLET CAP IP66/IP67	
	263A926

ELECTROMAGNETIC COMPATIBILITY (EMC)	NEW
	Please order a metal accessory herewith, together with a Ex EMC cable gland to be found on page 318.

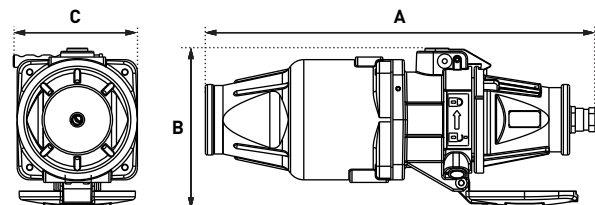
DRAWINGS AND DIMENSIONS

PLUG ON WALL MOUNTED SOCKET OUTLET



A1	A2	B	C	E1	E2	E3
115	145	341	129	90	118	168

COUPLER



A	B	C
116	154	352

32 A

750 V

U MAX

DECONTACTOR™ DXN3



MARECHAL ELECTRIC FRANCE

Ex II 2 G D	Ex db eb IIC	T* Gb
	Ex tb IIIC	T* Db
*-40 °C ≤ Ta ≤ +60 °C	T5	T77 °C
-40 °C ≤ Ta ≤ +40 °C	T6	T57 °C
IECEx LCI 09.0006X/LCIE 05 ATEX 6149X		



IP66
IP67



2,5-10 mm² (1)
2,5-16 mm² (2)



GRP



IK09



-40 °C
+60 °C



AC-22



ATEX



1, 2,
21, 22

(1) Flexible wiring (min.-max.).
(2) Stranded wiring (min.-max.).



Other configurations
on request

TEMPERATURE RATING

Gas temperature classes	T6 for an ambient T° between -40 °C and +40 °C
	T5 for an ambient T° between -40 °C and +60 °C
Dust surface temperature classes	Surface T° ≤ 57 °C for an ambient T° between -40 °C and +40 °C
	Surface T° ≤ 77 °C for an ambient T° between -40 °C and +60 °C

STANDARDS

International and European IEC/EN standards	60079-0, 60079-1, 60079-7, 60079-31, 60309-1, 60309-4, 60947-3
Protection mode	db eb, tb

SOCKET-OUTLET

female
DXN3



INLET male
DXN3












20-24 V AC	2P	253408A	253808A
220-250 V AC	1P+N+E	2534015	2538015
380-440 V AC	3P+E	2534013	2538013
380-440 V AC	3P+N+E	2534017	2538017
480-500 V AC	3P+E	2534093	2538093
480-500 V AC	3P+N+E	2534097	2538097
550 V AC - Auxiliaries 5 A	+ 2 contacts	Ref. + 972	Ref. + 972








Each socket outlet
or inlet must be
associated with a box,
a sleeve or a handle.

► Other currents, voltages, frequencies and contact configurations are available (see page 14).

OPTIONS	Reference
LOCKING PIN FOR 2 PADLOCKS Ø 4 TO 8 mm (PADLOCK NOT SUPPLIED)	
	Socket-outlet ref. +843
SAFETY HASP FOR UP TO 6 PADLOCKS	
	613A541
LARGER RELEASE BUTTON	
	Ref. socket +453
INLET CAP IP66/IP67	
	253A426
IN-LINE CONNECTIONS (A PAIR OF FINGER DRAW PLATES TO AID CLOSING)	
	613A346
SELF CLOSING/SELF RETURNING LID	
	Socket-outlet ref.+R
COMPATIBILITY WITH DSN SOCKET-OUTLET (INDUSTRIAL RANGE)	
	Contact us.
SELF-EJECTION	
	See page 192


HANDLE	Cable outer Ø	Reference
POLY HANDLE WITH GLAND EX POLY		
	10-14 mm	253A753
	12-18 mm	253A783
	16-25 mm	253A25332P
	22-32 mm	253A25340P
POLY HANDLE WITH EX POLY GLAND FOR SELF-EJECTION OPTION		
	10-14 mm	253A463
	12-18 mm	253A44325P
	16-25 mm	253A44332P
STRAIGHT POLY HANDLE WITH METAL CABLE GLAND WITH EARTH CONTINUITY		
	8-10 mm	253A25320M
	12-14 mm	253A25325M
	18-24 mm	253A25332M

WALL BOX	Incline angle	Input/ Cable outer Ø	Reference
WALL BOX POLY WITH EX POLY CABLE GLAND			
	30°	10-14 mm	253AB53
	30°	12-18 mm	253AB5325P
WALL BOX POLY WITHOUT CABLE GLAND			
	30°	M20	253AB53417
	30°	M25	253AB53418
WALL BOX POLY WITH EX POLY CABLE GLAND			
	70°	10-14 mm	253AB8820P
	70°	12-18 mm	253AB8825P
	120 X 120 mm	70°	16-25 mm
WALL BOX POLY WITH METAL CABLE GLAND WITH EARTH CONTINUITY			
	70°	8-10 mm	253AB8820M
	70°	12-14 mm	253AB8825M
	120 X 120 mm	70°	18-24 mm
WALL BOX POLY WITH TERMINAL BLOCKS (IECEx LCIE 16.0042X/LCIE 16 ATEX 3054X)			
	70°	10-14 mm	253A08820P ⁽¹⁾
	120 X 120 mm	70°	12-18 mm

IN THIS CONFIGURATION

U_{MAX} = 630 V

1. Delivered with two predrilled entries fitted with 1 cable gland and 1 stopping plug, 8+2 terminals up to 10 mm² with 6 mm² wires. Wiring : 2.5-10 mm². For other configurations, contact us.

SLEEVE	Incline angle	Reference
INCLINED POLY SLEEVE		
	30°	253A027
	70°	253A757

40 A

690 V

U MAXI

ZONE 2-22 PLUGS & SOCKETS DXN3



MARECHAL ELECTRIC FRANCE

Ex II 3 GD	Ex ec IIC	T* Gc
	Ex tc IIIC	T* Dc
*-40 °C ≤ Ta ≤ +60 °C	T4	T115 °C
-40 °C ≤ Ta ≤ +40 °C	T5	T95 °C
TF: MAR X 23.0001		



IP66
IP67



2,5-6 mm² (1)
2,5-10 mm² (2)



GRP



IK09



-40 °C
+60 °C



ATEX



2, 22

(1) Flexible wiring (min.-max.).
(2) Stranded wiring (min.-max.).



Other configurations
on request

TEMPERATURE RATING

Gas temperature classes	T5 for an ambient T° between -40 °C and +40 °C
	T4 for an ambient T° between -40 °C and +60 °C
Dust surface temperature classes	Surface T° ≤ 95 °C for an ambient T° between -40 °C and +40 °C
	Surface T° ≤ 115 °C for an ambient T° between -40 °C and +60 °C

STANDARDS

International and European IEC/EN standards	60079-0, 60079-7, 60079-31
Protection mode	ec, tc

SOCKET-OUTLET

female
DXN3



INLET male
DXN3





Voltage	Contact Configuration	Socket-Outlet Reference	Inlet Reference
20-24 V AC	2P	253408AMZ2	253808AMZ2
220-250 V AC	1P+N+E	2534015MZ2	2538015MZ2
380-440 V AC	3P+E	2534013MZ2	2538013MZ2
380-440 V AC	3P+N+E	2534017MZ2	2538017MZ2
480-500 V AC	3P+E	2534193MZ2	2538193MZ2
480-500 V AC	3P+N+E	2534197MZ2	2538197MZ2
400 V AC - Auxiliaries 30 A	+ 2 contacts	Ref. + 972MZ2	Ref. + 972MZ2







Each socket outlet
or inlet must be
associated with a box,
a sleeve or a handle.

► Other currents, voltages, frequencies and contact configurations are available (see page 14).

OPTIONS	Reference
SAFETY HASP FOR UP TO 6 PADLOCKS	
	613A541
LARGER RELEASE BUTTON	
	Ref. socket +453
INLET CAP IP66/IP67	
	253A426
IN-LINE CONNECTIONS (A PAIR OF FINGER DRAW PLATES TO AID CLOSING)	
	613A346
SELF CLOSING/SELF RETURNING LID	
	Socket-outlet ref.+R
COMPATIBILITY WITH DSN SOCKET-OUTLET (INDUSTRIAL RANGE)	
	Contact us.

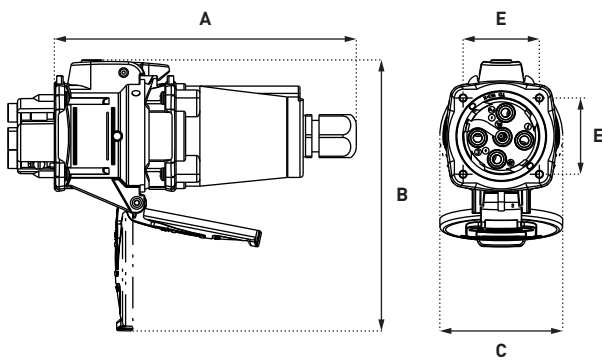
WALL BOX	Incline angle	Input/ Cable outer Ø	Reference
WALL BOX POLY WITH EX POLY CABLE GLAND			
	30°	10-14 mm	253AB53
	30°	12-18 mm	253AB5325P
WALL BOX POLY WITHOUT CABLE GLAND			
	30°	M20	253AB53417
	30°	M25	253AB53418
WALL BOX POLY WITH EX POLY CABLE GLAND			
	70°	10-14 mm	253AB8820P
	70°	12-18 mm	253AB8825P
120 X 120 mm	70°	16-25 mm	253AB8832P
WALL BOX POLY WITH METAL CABLE GLAND WITH EARTH CONTINUITY			
	70°	8-10 mm	253AB8820M
	70°	12-14 mm	253AB8825M
120 X 120 mm	70°	18-24 mm	253AB8832M
WALL BOX POLY WITH TERMINAL BLOCKS (TF: MAR X 14.0001)			
	70°	10-14 mm	Contact us
120 X 120 mm	70°	12-18 mm	Contact us

HANDLE	Cable outer Ø	Reference
POLY HANDLE WITH GLAND EX POLY		
	10-14 mm	253A753
	12-18 mm	253A783
	16-25 mm	253A25332P
	22-32 mm	253A25340P
STRAIGHT POLY HANDLE WITH METAL CABLE GLAND WITH EARTH CONTINUITY		
	8-10 mm	253A25320M
	12-14 mm	253A25325M
	18-24 mm	253A25332M

SLEEVE	Incline angle	Reference
INCLINED POLY SLEEVE		
	30°	253A027
	70°	253A757

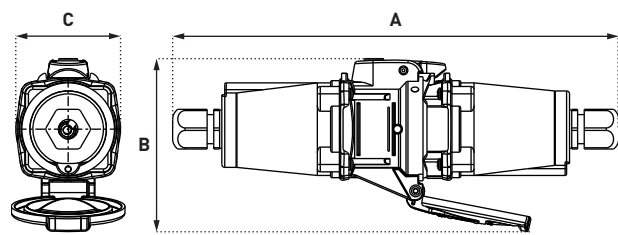
DRAWINGS AND DIMENSIONS

PLUG ON SOCKET-OUTLET



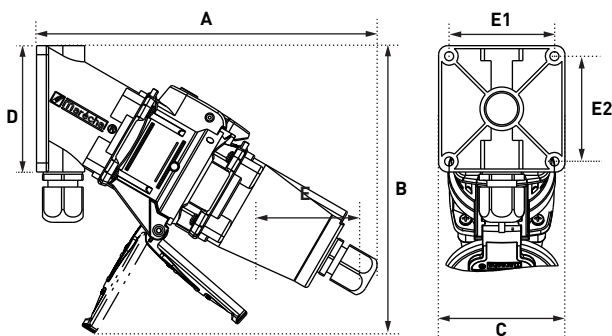
A	B	C	E
190	171	77	48

COUPLER



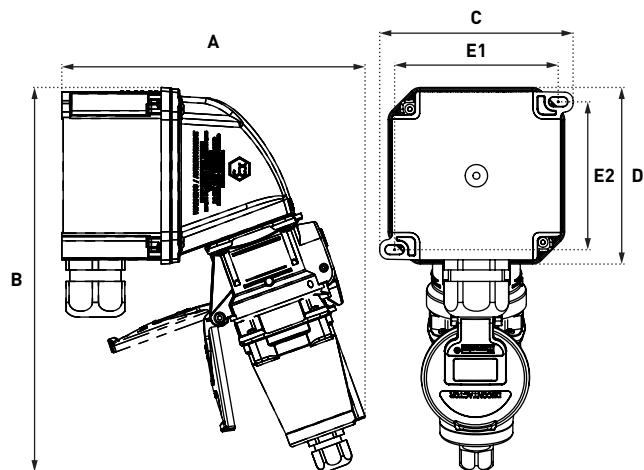
A	B	C
304	71	118

PLUG ON 30° WALL MOUNTED SOCKET OUTLET



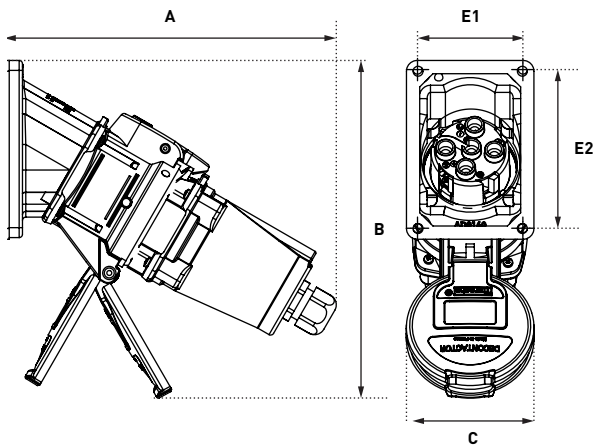
A	B	C	D	E1	E2
226	191	84	84	71	71

PLUG ON 70° WALL-MOUNTED SOCKET-OUTLET



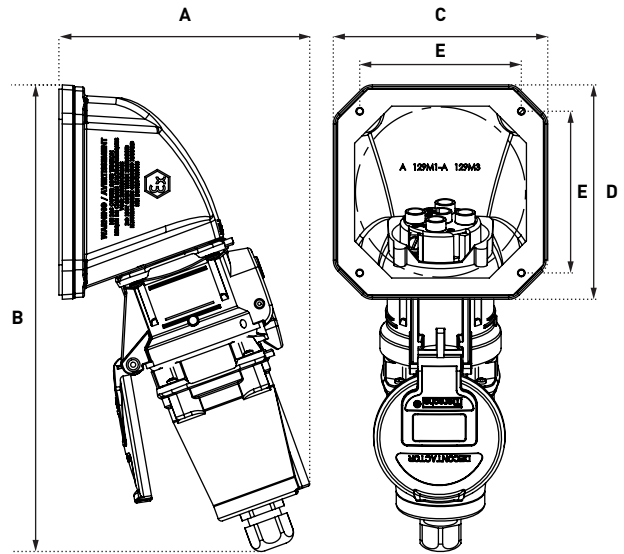
A	B	C	D	E1	E2
208	264	138	126	117	105.5

PLUG ON 30° INCLINED SOCKET-OUTLET



A	B	C	D	E1	E2
201	204	77	108	64	96

PLUG ON 70° INCLINED SOCKET-OUTLET



A	B	C	D	E
148	275	126	126	95



63 A

750 V
U MAX

DECONTACTOR™ DXN6



MARECHAL ELECTRIC FRANCE

Ex db eb IIC T* Gb
 Ex tb IIIC T* Db
 *-40 °C ≤ Ta ≤ +60 °C T4 T107 °C
 -40 °C ≤ Ta ≤ +40 °C T5 T87 °C
 IECEx LCI 09.0007X/LCIE 05 ATEX 6150X



IP66
IP67



6-16 mm² (1)
6-25 mm² (2)



GRP



IK09



-40 °C
+60 °C



AC-22



ATEX



1, 2,
21, 22

(1) Flexible wiring (min.-max.).
(2) Stranded wiring (min.-max.).



Other configurations
on request

TEMPERATURE RATING

Gas temperature classes	T5 for an ambient T° between -40 °C and +40 °C T4 for an ambient T° between -40 °C and +60 °C
Dust surface temperature classes	Surface T° ≤ 87 °C for an ambient T° between -40 °C and +40 °C Surface T° ≤ 107 °C for an ambient T° between -40 °C and +60 °C

STANDARDS

International and European IEC/EN standards	60079-0, 60079-1, 60079-7, 60079-31, 60309-1, 60309-4, 60947-3
Protection mode	db eb, tb

SOCKET-OUTLET
female
DXN6



INLET male
DXN6








Each socket outlet
or inlet must be
associated with a box,
a sleeve or a handle.

20-24 V AC	2P	256408A	256808A
220-250 V AC	1P+N+E	2564015	2568015
380-440 V AC	3P+E	2564013	2568013
380-440 V AC	3P+N+E	2564017	2568017
480-500 V AC	3P+E	2564093	2568093
480-500 V AC	3P+N+E	2564097	2568097
550 V AC - Auxiliaries 5 A	+ 2 contacts	Ref. + 972	Ref. + 972

► Other currents, voltages, frequencies and contact configurations are available (see page 14).



OPTIONS	Reference
LOCKING PIN FOR 2 PADLOCKS Ø 4 TO 8 mm (PADLOCK NOT SUPPLIED)	
	Socket-outlet ref. +843
SAFETY HASP FOR UP TO 6 PADLOCKS	
	613A541
LARGER RELEASE BUTTON	
	Ref. socket +453
INLET CAP IP66/IP67	
	256A426
IN-LINE CONNECTIONS (A PAIR OF FINGER DRAW PLATES TO AID CLOSING)	
	616A346
SELF CLOSING/SELF RETURNING LID	
	Socket-outlet ref.+R
COMPATIBILITY WITH DSN SOCKET-OUTLET (INDUSTRIAL RANGE)	
	Contact us.
SELF-EJECTION	
	See page 192

HANDLE	Cable outer Ø	Reference
POLY HANDLE WITH GLAND EX POLY		
	10-14 mm	256A25320P
	12-18 mm	256A753
	16-25 mm	256A25332P
	22-32 mm	256A25340P
POLY HANDLE WITH EX POLY GLAND FOR SELF-EJECTION OPTION		
	12-18 mm	256A443
	16-25 mm	256A44332P
	22-32 mm	256A44340P
STRAIGHT POLY HANDLE WITH METAL CABLE GLAND WITH EARTH CONTINUITY		
	8-10 mm	256A25320M
	12-14 mm	256A25325M
	18-24 mm	256A25332M

WALL BOX	Incline angle	Input/ Cable outer Ø	Reference
WALL BOX POLY WITH EX POLY CABLE GLAND			
	30°	12-18 mm	256AB53
WALL BOX POLY WITHOUT CABLE GLAND			
	30°	M25	256AB53418
WALL BOX POLY WITH EX POLY CABLE GLAND			
	70°	10-14 mm	256AB8820P
	70°	12-18 mm	256AB8825P
	70°	16-25 mm	256AB8832P
	70°	22-32 mm	256AB8840P
160 X 160 mm			
WALL BOX POLY WITH METAL CABLE GLAND WITH EARTH CONTINUITY			
	70°	8-10 mm	256AB8820M
	70°	12-14 mm	256AB8825M
	70°	18-24 mm	256AB8832M
160 X 160 mm			
WALL BOX POLY WITH TERMINAL BLOCKS (IECEx LCIE 16.0042X/LCIE 16 ATEX 3054X)			
	70°	10-14 mm	256A08820P ⁽¹⁾
	70°	12-18 mm	256A08825P ⁽¹⁾
	70°	16-25 mm	256A08832P ⁽¹⁾
	70°	22-32 mm	256A08840P ⁽¹⁾
160 X 160 mm			

IN THIS CONFIGURATION
 $U_{MAX} = 630 V$
 $-40^{\circ}C \leq T_a \leq +55^{\circ}C$ T4 T105° C
 $-40^{\circ}C \leq T_a \leq +50^{\circ}C$ T5 T95 °C

1. Delivered with two predrilled entries fitted with 1 cable gland and 1 stopping plug, 8+2 terminals up to 16 mm² with 16 mm² wires. Wiring : 6-16 mm². For other configurations, contact us.

SLEEVE	Incline angle	Reference
INCLINED POLY SLEEVE		
	30°	256A027
	70°	256A757

63 A

1000 V
U MAX

ZONE 2-22 PLUGS & SOCKETS DXN6



MARECHAL ELECTRIC FRANCE

Ex ec IIC T* Gc
 Ex tc IIIC T* Dc
 *-40 °C ≤ Ta ≤ +60 °C T4 T105 °C
 -40 °C ≤ Ta ≤ +40 °C T5 T85 °C
 TF: MAR X 23.0003



IP66
IP67



6-16 mm² (1)
10-25 mm² (2)



GRP



IK09



-40 °C
+60 °C



ATEX



2, 22

(1) Flexible wiring (min.-max.).
(2) Stranded wiring (min.-max.).



Other configurations
on request

TEMPERATURE RATING

Gas temperature classes	T5 for an ambient T° between -40 °C and +40 °C T4 for an ambient T° between -40 °C and +60 °C
Dust surface temperature classes	Surface T° ≤ 85 °C for an ambient T° between -40 °C and +40 °C Surface T° ≤ 105 °C for an ambient T° between -40 °C and +60 °C

STANDARDS

International and European IEC/EN standards	60079-0, 60079-7, 60079-31
Protection mode	ec, tc

SOCKET-OUTLET
female
DXN6



INLET male
DXN6








Voltage	Contact Configuration	Socket-Outlet Reference	Inlet Reference
20-24 V AC	2P	256408AMZ2	256808AMZ2
220-250 V AC	1P+N+E	2564015MZ2	2568015MZ2
380-440 V AC	3P+E	2564013MZ2	2568013MZ2
380-440 V AC	3P+N+E	2564017MZ2	2568017MZ2
480-500 V AC	3P+E	2564193MZ2	2568193MZ2
480-500 V AC	3P+N+E	2564197MZ2	2568197MZ2
400 V AC - Auxiliaries 16 A	+ 2 contacts	Ref. + 972MZ2	Ref. + 972MZ2



► Other currents, voltages, frequencies and contact configurations are available (see page 14).





Each socket outlet
or inlet must be
associated with a box,
a sleeve or a handle.

OPTIONS	Reference
SAFETY HASP FOR UP TO 6 PADLOCKS	
	613A541
LARGER RELEASE BUTTON	
	Ref. socket +453
INLET CAP IP66/IP67	
	256A426
IN-LINE CONNECTIONS (A PAIR OF FINGER DRAW PLATES TO AID CLOSING)	
	616A346
SELF CLOSING/SELF RETURNING LID	
	Socket-outlet ref.+R
COMPATIBILITY WITH DSN SOCKET-OUTLET (INDUSTRIAL RANGE)	
	Contact us.

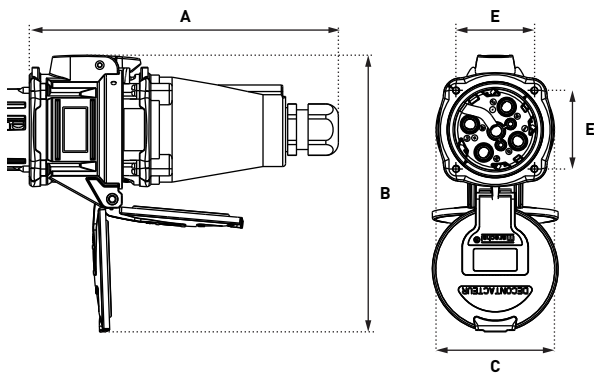
WALL BOX	Incline angle	Input/ Cable outer Ø	Reference
WALL BOX POLY WITH EX POLY CABLE GLAND			
	30°	12-18 mm	256AB53
WALL BOX POLY WITHOUT CABLE GLAND			
	30°	M25	256AB53418
WALL BOX POLY WITH EX POLY CABLE GLAND			
 160 X 160 mm	70°	10-14 mm	256AB8820P
	70°	12-18 mm	256AB8825P
	70°	16-25 mm	256AB8832P
	70°	22-32 mm	256AB8840P
WALL BOX POLY WITH METAL CABLE GLAND WITH EARTH CONTINUITY			
 160 X 160 mm	70°	8-10 mm	256AB8820M
	70°	12-14 mm	256AB8825M
	70°	18-24 mm	256AB8832M
WALL BOX POLY WITH TERMINAL BLOCKS (TF: MAR X 23.0003)			
 160 X 160 mm	70°	10-14 mm	Contact us
	70°	12-18 mm	Contact us
	70°	16-25 mm	Contact us
	70°	22-32 mm	Contact us

HANDLE	Cable outer Ø	Reference
POLY HANDLE WITH GLAND EX POLY		
	10-14 mm	256A25320P
	12-18 mm	256A753
	16-25 mm	256A25332P
	22-32 mm	256A25340P
STRAIGHT POLY HANDLE WITH METAL CABLE GLAND WITH EARTH CONTINUITY		
	8-10 mm	256A25320M
	12-14 mm	256A25325M
	18-24 mm	256A25332M

SLEEVE	Incline angle	Reference
INCLINED POLY SLEEVE		
	30°	256A027
	70°	256A757

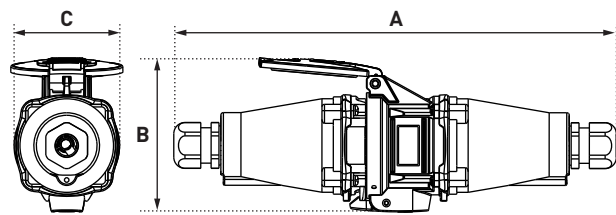
DRAWINGS AND DIMENSIONS

PLUG ON SOCKET-OUTLET



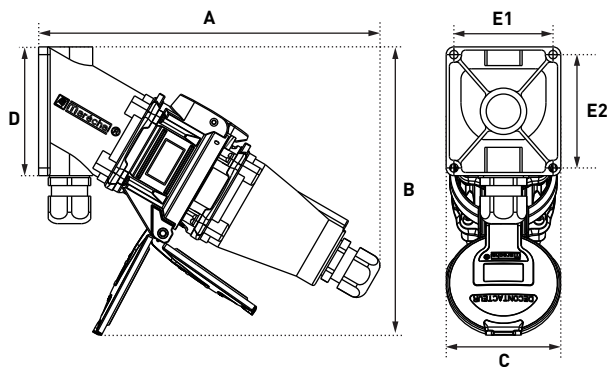
A	B	C	E
218	195	84	55

COUPLER



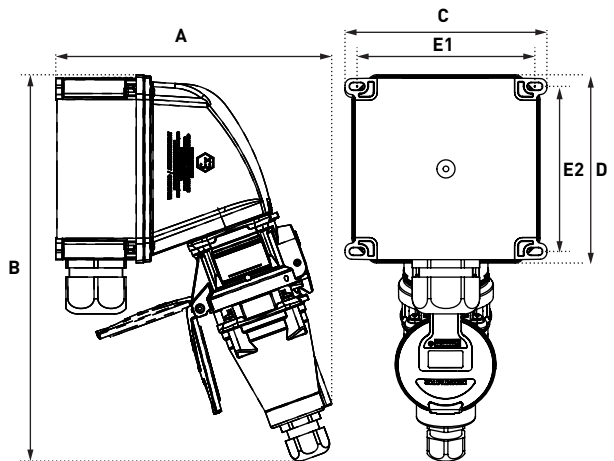
A	B	C
350	84	122

PLUG ON 30° WALL MOUNTED SOCKET OUTLET



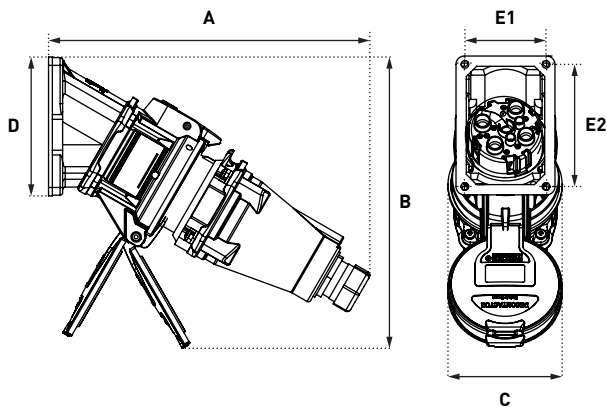
A	B	C	D	E1	E2
265	225	89	100	77	89

PLUG ON 70° WALL-MOUNTED SOCKET-OUTLET



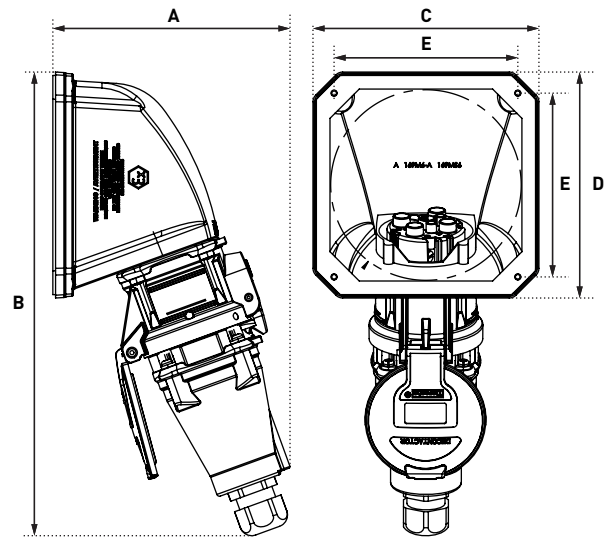
A	B	C	D	E1	E2
244	341	175	166	157	145.5

PLUG ON 30° INCLINED SOCKET-OUTLET



A	B	C	D	E1	E2
239	219	77	108	64	96

PLUG ON 70° INCLINED SOCKET-OUTLET



A	B	C	D	E
175	341	166	166	135



63 A

750 V
U MAXI

DECONTACTOR™ DX6



MARECHAL ELECTRIC FRANCE

II 2 G D Ex de IIC tD A21
 -40 °C ≤ Ta ≤ +60 °C T5 T90 °C
 -40 °C ≤ Ta ≤ +50 °C T6 T80 °C
 IECEx LCI 09.0015/LCIE 04 ATEX 6038



IP65
IP66



16-35 mm² (1)
16-50 mm² (2)



METAL



IK10



-40 °C
+60 °C



ATEX



1, 2,
21, 22



EMC

(1) Flexible wiring (min.-max.).
(2) Stranded wiring (min.-max.).



Other configurations
on request

Locking position
connected or
disconnected by
lockable shaft.

STANDARDS

International and European
IEC/EN standards

60079-0, 60079-1, 60079-7, 60079-31, 60309-1, 60309-4,

Protection mode

de, tD



Each socket outlet
or inlet must be
associated with a box,
a sleeve or a handle.

SOCKET-OUTLET
female
DX6



**INCLINED
APPLIANCE**
inlet
DX6




PLUG
male
DX6




220-250 V AC	1P+N+E	2664015	2666015	12-21 mm	2661015
380-440 V AC	3P+E	2664013	2666013	12-21 mm	2661013
380-440 V AC	3P+N+E	2664017	2666017	12-21 mm	2661017

► Other currents, voltages, frequencies and contact configurations are available (see page 14).


REFERENCES ACCESSORIES

WALL BOX	Cable gland entry	Cable outer Ø	Reference
WALL BOX METAL 90° EX METAL CABLE GLAND INCLUDED*			
	M25	9-16 mm	266AB5325M
	M32	12-21 mm	266AB53
	M40	16-27 mm	266AB5340M

* Optional versions for earth continuity are available, please contact us

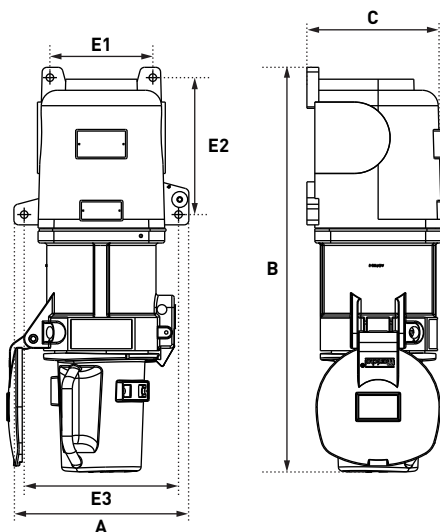
HANDLES	Cable gland entry	Cable outer Ø	Reference
STRAIGHT HANDLE METAL BOX EX METAL CABLE GLAND INCLUDED*			
	M25	9-16 mm	266A95325M
	M32	12-21 mm	266A963
	M40	16-27 mm	266A95340M

OPTIONS	Reference
INLET CAP IP66/IP67	
	266A926

ELECTROMAGNETIC COMPATIBILITY (EMC)	NEW
	Please order a metal accessory herewith, together with a Ex EMC cable gland to be found on page 318.

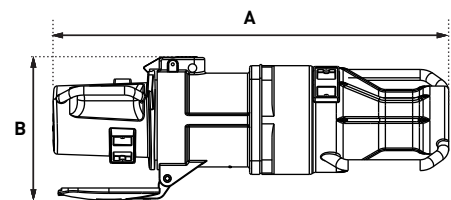
DRAWINGS AND DIMENSIONS

PLUG ON WALL MOUNTED SOCKET OUTLET



A	B	C	E1	E2	E3
221	511	173	130	173	195

COUPLER



A	B	C
582	212	160

125 A

750 V
U MAX II

DECONTACTOR™ DX9



MARECHAL ELECTRIC FRANCE

II 2 G D Ex de IIC tD A21
 -40 °C ≤ Ta ≤ +60 °C T5 T90 °C
 -40 °C ≤ Ta ≤ +50 °C T6 T80 °C
 IECEx LCI 09.0015/LCIE 04 ATEX 6038



IP65
IP66



35-50 mm² (1)
50-70 mm² (2)



METAL



IK10



-40 °C
+60 °C



ATEX



1, 2,
21, 22



EMC

(1) Flexible wiring (min.-max.).
(2) Stranded wiring (min.-max.).



**Other configurations
on request**

**Locking position
connected or
disconnected by
lockable shaft.**

STANDARDS

International and European
IEC/EN standards

60079-0, 60079-1, 60079-7, 60079-31, 60309-1, 60309-4,

Protection mode

de, tD

SOCKET-OUTLET
female
DX9



**INCLINED
APPLIANCE**
inlet
DX9



PLUG
male
DX9




**Each socket outlet
or inlet must be
associated with a box,
a sleeve or a handle.**


380-440 V AC	3P+E	2694013	2696013	16-27 mm	2691013
				23-35 mm	269101350M
				36-48 mm	269101363M
380-440 V AC	3P+N+E	2694017	2696017	16-27 mm	2691017
				23-35 mm	269101750M
				36-48 mm	269101763M

► Other currents, voltages, frequencies and contact configurations are available (see page 14).

REFERENCES ACCESSORIES


WALL BOX	Cable gland entry	Cable outer Ø	Reference
WALL BOX METAL 90° EX METAL CABLE GLAND INCLUDED*			
	M32	12-21 mm	269AB5332M
	M40	16-27 mm	269AB53
	M50	23-35 mm	269AB5350M
	M63	36-48 mm	269AB5363M

* Optional versions for earth continuity are available, please contact us

HANDLES	Cable gland entry	Cable outer Ø	Reference
STRAIGHT HANDLE METAL BOX EX METAL CABLE GLAND INCLUDED*			
	M32	12-21 mm	269A95332M
	M40	16-27 mm	269A963
	M50	23-35 mm	269A95350M
	M63	36-48 mm	269A95363M

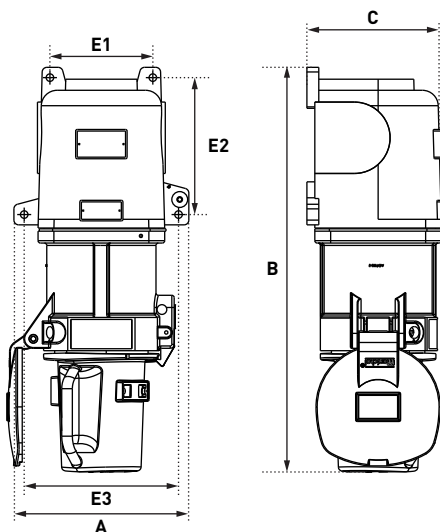
OPTIONS	Reference
INLET CAP IP66/IP67	
	269A926

ELECTROMAGNETIC COMPATIBILITY (EMC) ● **NEW**

 Please order a metal accessory herewith, together with a Ex EMC cable gland to be found on page 318.

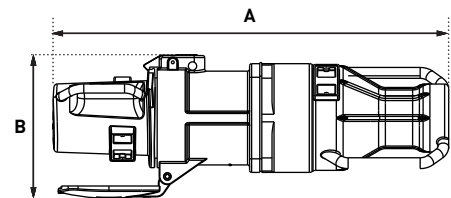
DRAWINGS AND DIMENSIONS

PLUG ON WALL MOUNTED SOCKET OUTLET



A	B	C	E1	E2	E3
221	511	173	130	173	195

COUPLER



A	B	C
582	212	160

200 A 750 V

U MAX

DECONTACTOR™ DX2



MARECHAL ELECTRIC FRANCE

II 2 G D Ex de IIC tD A21
 -40 °C ≤ Ta ≤ +60 °C T3 T91 °C
 IECEx LCI 09.0015/LCIE 04 ATEX 6038



IP65
IP66



50 mm² ⁽¹⁾
70 mm² ⁽²⁾



METAL



IK10



-40 °C
+60 °C



ATEX



1, 2,
21, 22



EMC

(1) Flexible wiring.
(2) Stranded wiring.



**Other configurations
on request**

**Locking position
connected or
disconnected by
lockable shaft.**

STANDARDS

International and European
IEC/EN standards

60079-0, 60079-1, 60079-7, 60079-31, 60309-1, 60309-4,

Protection mode

de, tD



**Each socket outlet
or inlet must be
associated with a box,
a sleeve or a handle.**

SOCKET-OUTLET
female
DX2 (200 A)



**INCLINED
APPLIANCE**
inlet
DX2 (200 A)




PLUG
male
DX2 (200 A)




380-440 V AC	3P+E	2674013	2676013	36-48 mm	2671013
380-440 V AC	3P+N+E	2674017	2676017	36-48 mm	2671017


► Other currents, voltages, frequencies and contact configurations are available (see page 14).


REFERENCES ACCESSORIES

WALL BOX	Cable gland entry	Cable outer Ø	Reference
WALL BOX METAL 90° EX METAL CABLE GLAND INCLUDED*			
	M63	36-48 mm	267AB53

* Optional versions for earth continuity are available, please contact us

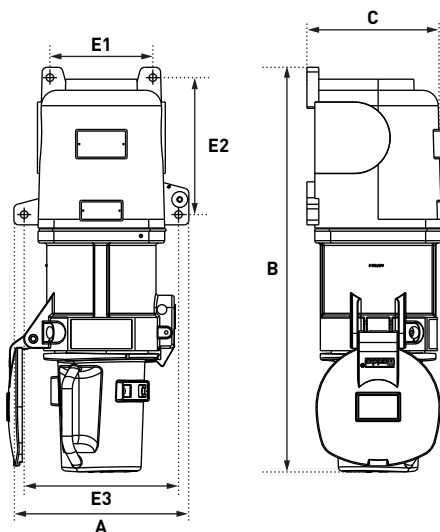
HANDLES	Cable gland entry	Cable outer Ø	Reference
STRAIGHT HANDLE METAL BOX EX METAL CABLE GLAND INCLUDED*			
	M63	36-48 mm	267A963

OPTIONS	Reference
INLET CAP IP66/IP67	
	267A926

ELECTROMAGNETIC COMPATIBILITY (EMC)	NEW
	Please order a metal accessory herewith, together with a Ex EMC cable gland to be found on page 318.

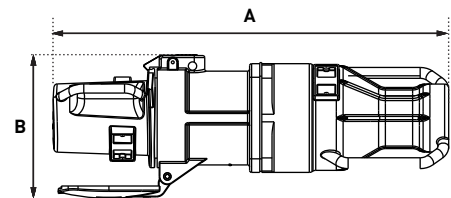
DRAWINGS AND DIMENSIONS

PLUG ON WALL MOUNTED SOCKET OUTLET



A	B	C	E1	E2	E3
221	511	173	130	173	195

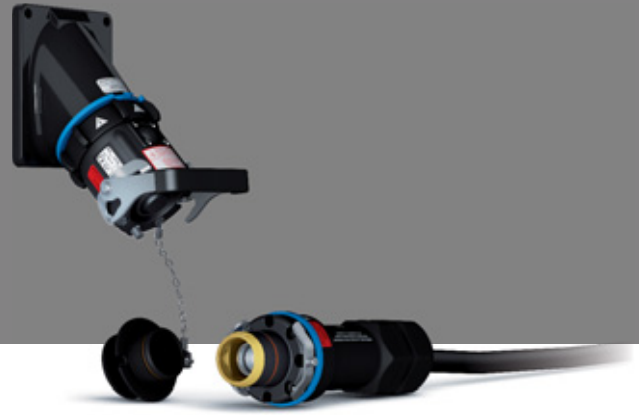
COUPLER



A	B	C
582	212	160

680 A

SPeX SINGLE POLE CONNECTOR



SPeX SINGLE POLE CONNECTORS COMPLY WITH:

- ATEX European Directive (affixing "Ex" symbol and CE marking),
- RoHS Directive (affixing CE marking),
- REACH European Regulation,
- IEC/EN 60079-0, IEC/EN 60079-7 and IEC/EN 60079-31 international and European standards,
- BUREAU VERITAS Marine specifications.

SPeX CERTIFICATION BODIES

SPeX are certified by LCIE (ATEX and IECEx), NANIO (TR CU EAC) and cCSAus (french, russian and americano-canadian* notified bodies).

* for North American market.



THE HIGHEST POSSIBLE SAFETY

- IP2X socket-outlet when cap removed,
- Automatic IP65/IP66 when plug is connected.

AN EASY-TO-USE CONNECTOR

- Straight insertion of the plug into the socket-outlet,
- Different mechanical keying for L1, L2, L3, N and E, positive and negative (DC)
- Visual identification by standard colours.

SPeX ATEX CLASSIFICATION ACCORDING TO CABLE CROSS-SECTION AND AMBIENT TEMPERATURE

	-20 °C ≤ Ta ≤ +40 °C G D T5/T56 °C	-20 °C ≤ Ta ≤ +40 °C G D T6/T56 °C	-20 °C ≤ Ta ≤ +60 °C G D T5/T76 °C
70 mm ²	290 A	235 A	235 A
95 mm ²	415 A	335 A	335 A
120 mm ²	456 A	376 A	376 A
150 mm ²	493 A	415 A	415 A
185 mm ²	530 A	450 A	450 A
240 mm ²	570 A	497 A	497 A
300 mm ²	620 A	540 A	540 A
400 mm ²	680 A	600 A	600 A

PERFORMANCES

With 240 mm² wiring, the SPeX accepts a permanent current up to 570 A/1000 V AC with T5 EX classification at 40 °C ambient temperature.

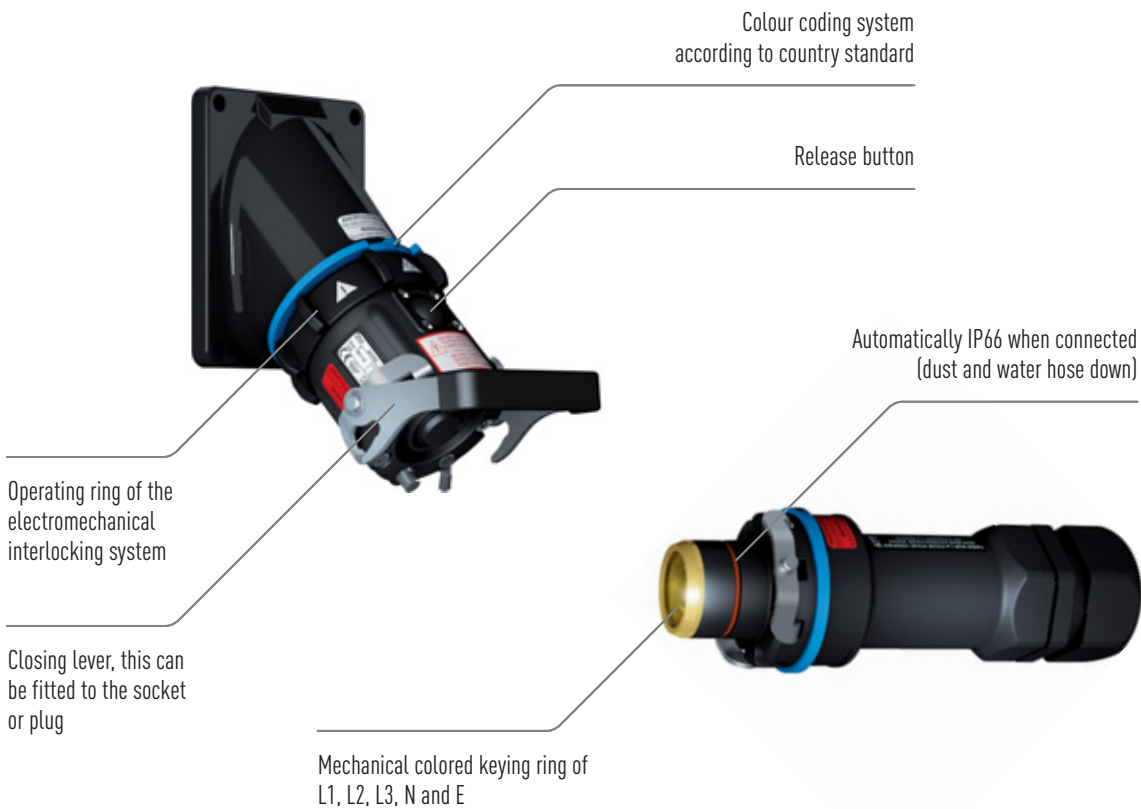
II 2 G D Ex e IIC, Ex tb IIIC

IP65/IP66

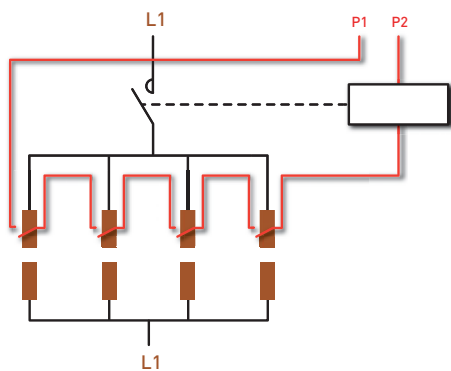
Temperature rating -20°C to +60°C

Electromechanical interlocking system

Mechanic and visual keying

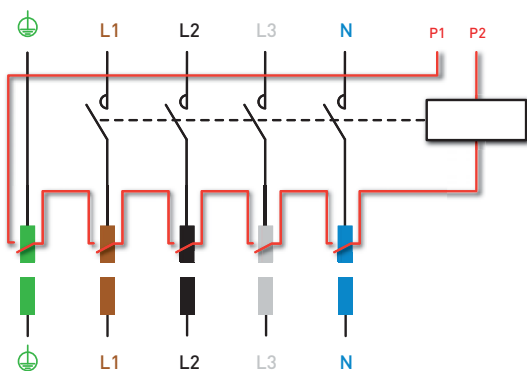


**INTERLOCKING ELECTRICAL WIRING DIAGRAM:
INCREASED POWER WITH PARALLEL CONNECTION.**



**ENERGY DISTRIBUTION SYSTEM WITH SEPARATE
CONNECTION OF CONTACTS**

The pilot contact breaks the circuit in conformity with ATEX Directive (increased safety "e"). **External control contactor not supplied by MARECHAL.**

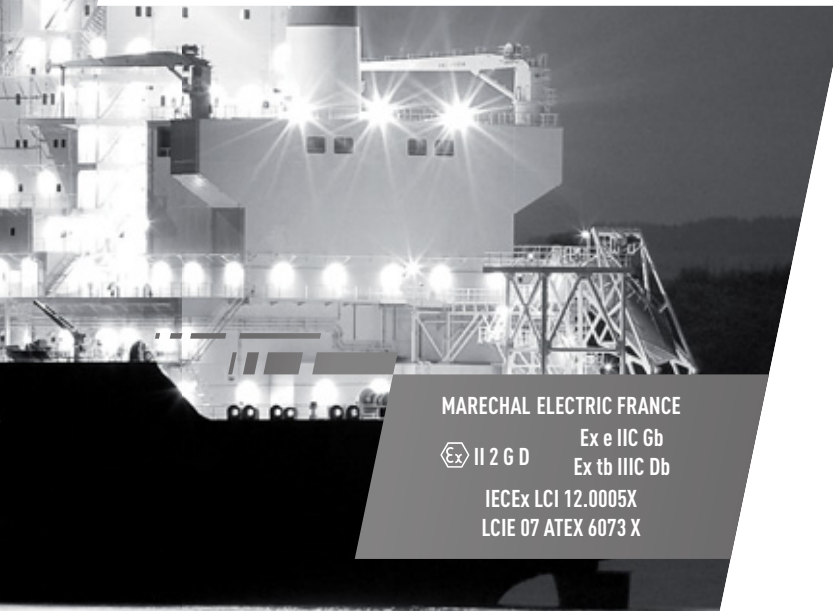


Pilot wiring is mandatory to break and mate on load

680 A 1 000 V

U MAXI

SINGLE POLE POWER CONNECTOR SPeX



MARECHAL ELECTRIC FRANCE



Ex e IIC Gb
Ex tb IIIC Db

IECEx LCI 12.0005X
LCIE 07 ATEX 6073 X



IP65
IP66



SEE
TABLE



GRP



IK08



-20 °C
+60 °C



ATEX



1, 2,
21, 22



LEVER MECHANISM

TO BE ORDERED SEPARATELY

Compatible with socket or inlet since 2018

Lever mechanism :
454A876

Draw base : 454A396



OTHER FEATURES

Rated current	According to temperature class and section of cable
Number of operations	2000
Pre-wired pilot circuit	6 A/250 V
Short-circuit current Icc	20 kA during 250 ms

STANDARDS

International and European IEC/EN standards	60079-0, 60079-7 et 60079-31
Protection mode	e, tb



SOCKET-OUTLET female
SPeX WITHOUT LUG



INLET male
SPeX WITHOUT LUG

Type	COLOR coding		Reference			
	Europe*	Reference	Reference 16-25 mm	Reference 22-32 mm	Reference 28-38 mm	Reference 40-48 mm
L1	Brown	4647001	464100132P	464100140P	464100150P	464100163P
L2	Black	4647002	464100232P	464100240P	464100250P	464100263P
L3	Grey	4647003	464100332P	464100340P	464100350P	464100363P
Neutral	Blue	464700N	464100N32P	464100N40P	464100N50P	464100N63P
Earth	Green	464700T	464100T32P	464100T40P	464100T50P	464100T63P
Positive	Red	464700P	464100P32P	464100P40P	464100P50P	464100P63P
Negative	Black	464700M	464100M32P	464100M40P	464100M50P	464100M63P

* The indicated references are valid for Europe and Japan.
For mobile socket-outlets or wall-mounted inlet references, contact us.



Type	SOCKET-OUTLET female SPeX WITHOUT LUG		INLET male SPeX WITHOUT LUG			
	Australia and New Zealand	Reference	Reference 16-25 mm	Reference 22-32 mm	Reference 28-38 mm	Reference 40-48 mm
L1	Red	4347001	434100132P	434100140P	434100150P	434100163P
L2	White	4347002	434100232P	434100240P	434100250P	434100263P
L3	Blue	4347003	434100332P	434100340P	434100350P	434100363P
Neutral	Black	434700N	434100N32P	434100N40P	434100N50P	434100N63P
Earth	Green	434700T	434100T32P	434100T40P	434100T50P	434100T63P
Positive	Red	434700P	434100P32P	434100P40P	434100P50P	434100P63P
Negative	Black	434700M	434100M32P	434100M40P	434100M50P	434100M63P

For the UK, South Africa and India, replace the first two digits by 44.

Type	USA	Reference	Reference 16-25 mm	Reference 22-32 mm	Reference 28-38 mm	Reference 40-48 mm
L1	Black	4247001*	424100132P	424100140P	424100150P	424100163P
L2	Red	4247002*	424100232P	424100240P	424100250P	424100263P
L3	Blue	4247003*	424100332P	424100340P	424100350P	424100363P
Neutral	White	424700N*	424100N32P	424100N40P	424100N50P	424100N63P
Earth	Green	424700T*	424100T32P	424100T40P	424100T50P	424100T63P
Positive	Red	424700P*	424100P32P	424100P40P	424100P50P	424100P63P
Negative	Black	424700M*	424100M32P	424100M40P	424100M50P	424100M63P

* cCSAus certified products.

For mobile socket-outlets or wall-mounted inlet references, contact us.

COPPER LUGS

Lug choice depends on the cable: the cross-section of the flexible cable mentioned in the table below is for information only. Please check dimensions as these may vary according to cable types and manufacturers.



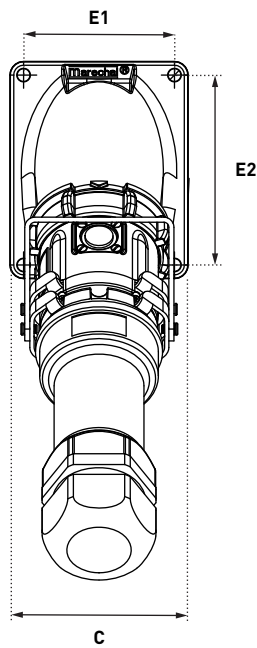
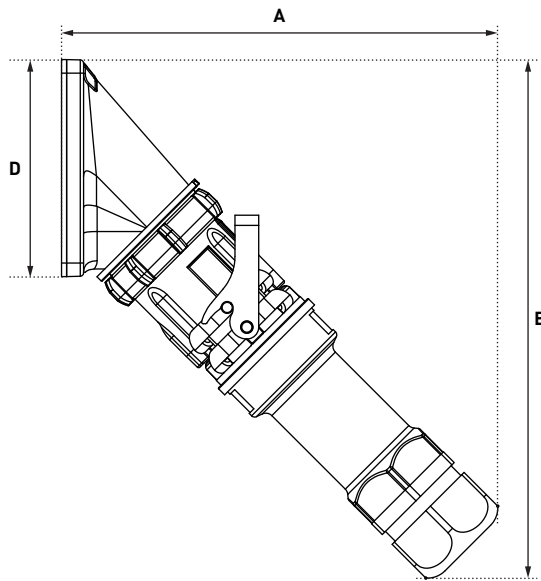
Wiring (mm²)		Straight with hole	Straight threaded M12	Internal diameter (mm)	External diameter (mm)*
Flexible	Stranded	Reference	Reference		
50	70	454A50C	454A50D	11	15
70	95	454A70C	454A70D	13.1	18
95	120	45AA95C	454A95D	14.5	19
120	150	454A12C	454A12D	16.2	21
150	185	454A15C	454A15D	18	24
185	240	454A18C	454A18D	20.6	26
240	300	454A24C	454A24D	23.1	29
300	400	454A30C	454A30D	26.1	32
400	500	454A40C	454A40D	29.2	40
500	630	454A500C	454A500D	33.2	42
630	/	/	454A63D	37.6	52

For male contact, wiring with crimping lugs, according to NF C20-130 standard (for VDE 0220 standard, please contact us). Crimping: Double hexagonal crimping is recommended.

*Choose the crimping tool according to the external diameter of your lug.

DRAWINGS AND DIMENSIONS

PLUG ON 30° ANGLED SOCKET OUTLET



	A	B	C	D	E1	E2
SP M50	254	306	105	128	89	112



MAIN FEATURES



12 CONTACTS

10 A

PXN12C



25 CONTACTS

10 A

DXN25C



37 CONTACTS

10 A

DXN37C



◀◀  II 2 G D Ex e IIC Gb, Ex tb IIIC Db ▶▶

◀◀ II 2 G D Ex ia ou ib IIC Gb ▶▶

◀◀ padlocking when connected or disconnected ▶▶

◀◀ Corrosion protected metal casing ▶▶

MULTICONNECTIONS PXN12C, DXN25C AND DXN37C CONNECTORS COMPLY WITH:

- ATEX European Directive (affixing "Ex" symbol and CE marking),
- RoHS Directive (affixing CE marking),
- REACH European Regulation,
- IEC/EN 60079-0, IEC/EN 60079-7 and IEC/EN 60079-31 standards.

PXN12C, DXN25C AND DXN37C CERTIFICATION BODIES

Products are certified by LCIE (ATEX and IECEx), NANIO (TR CU EAC), EXPLORLABS (SANS) and KGS (KCS*) (French, Russian, South African and South Korean notified bodies).

*DXN37C excluded





SIMPLE ASSEMBLY AND DISASSEMBLY

FAST WIRING

- Cable conductors: 1 mm² to 2,5 mm².
- Before wiring, add a heat-shrink sleeve or insulating sleeve on each conductor.
- After wiring, cover the visible portion of the contact with the sleeve.
- Crimp the contact with a KNIPEX crimping tool P/N° 61CA500 or a GREENLEE crimping tool P/N° 45505.
- Use the 4 mm² footprint whatever the conductor cross-section.
- Perform a double crimping in compliance with CEI 60352-2 standard.
- Conductors can equally be soldered.

ASSEMBLY

To insert contacts when they have been wired is simple.
Push wired contact into rear of insulator until it stops to complete the installation.



DISASSEMBLY

To remove, use the tool provided.
Push tool from front onto contact until tool stops.
Contact is then released at rear of insulator.



12 CONTACTS

10 A

220 V
U_{MAXI}

CONNECTORS MULTICONTACTS PXN12C

MARECHAL ELECTRIC FRANCE

Ex II 2 G D Ex e IIC T5 Gb

EX TB IIIC T69°C DB

-40 °C ≤ Ta ≤ +55 °C

IECEX LCIE 14.0041X / LCIE 07 ATEX 6070X

MARECHAL ELECTRIC FRANCE

Ex II 2 G D EX IA OU IB IIC T6 GB

EX TB IIIC T69°C DB

-40 °C ≤ Ta ≤ +55 °C

IECEX LCIE 14.0041X / LCIE 07 ATEX 6070X



IP65
IP66



1-2,5 mm²



METAL



IK09



-40 °C
+55 °C



ATEX



1, 2,
21, 22

OTHER FEATURES

Rated current (with wiring according to standard)

4-20 mA/10 A

Terminals wiring

crimping

Flexible wiring (min.-max.).

1-2,5 mm²

STANDARDS

International and European IEC/EN standards

60079-0, 60079-7 et 60079-31

Protection mode

e, tb
ia or ib, tb (consult us)

REFERENCES AND OPTIONS

WALL MOUNTING

socket female
PXN12C



PLUG male
PXN12C



Input	Cable outer Ø	Reference	Input	Cable outer Ø	Reference
M25	9-16 mm	06A000125M	M25	9-16 mm	06A100125M
M32	12-21 mm	06A0001	M32	12-21 mm	06A1001



Connection or
disconnection screw
locking imprint
BTR 2.5.

INCLINED SOCKET FEMALE PXN12C



INCLINED
APPLIANCE inlet male
PXN12C



Reference	Reference
06A7001	06A9001

Each product is
supplied with 1 bag of
13 contacts depending
on the maximum
configuration.
This allows you to set
up the product to suit
your needs.

COUPLER SOCKET female PXN12C



INCLINED
APPLIANCE inlet
PXN12C



Input	Cable outer Ø	Reference	Input	Cable outer Ø	Reference
M25	9-16 mm	06A300125M	M25	9-16 mm	06A600125M
M32	12-21 mm	06A3001	M32	12-21 mm	06A6001

INFOS +

Leaving 2 contacts unused can give 9 different keying positions (on socket outlet side or mobile plug side) using the two specific stopping plugs supplied.

OPTIONS

Reference

BAG OF 13 FEMALES CONTACTS



01AA213

BAG OF 13 MALES CONTACTS



01AA113

REMOVAL KEY



61CA593

OPTIONS

Reference

CRIMPING TOOL



61CA500

HELAVIA SLEEVE EXPANSION TOOL



61CA400

BAG OF 13 HEAT SHRINK INSULATION SLEEVES

61CA083

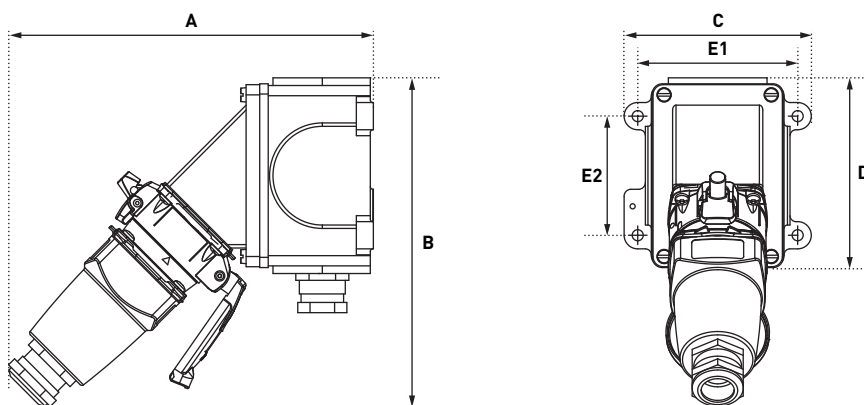
INLET CAP



01NA426

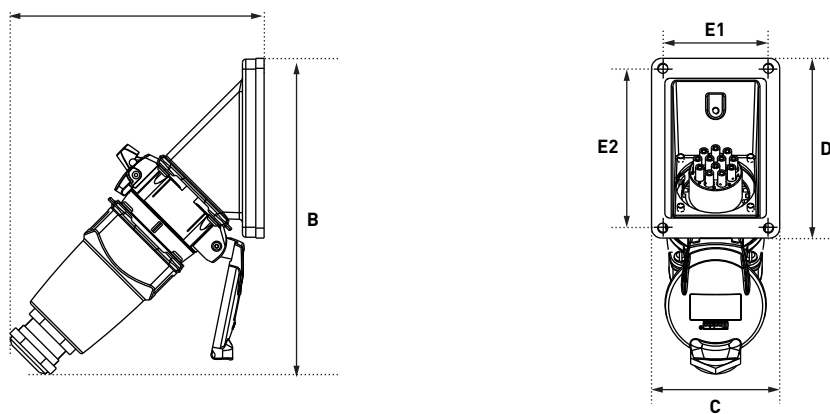
DRAWINGS AND DIMENSIONS

PLUG ON 45° WALL MOUNTED SOCKET OUTLET



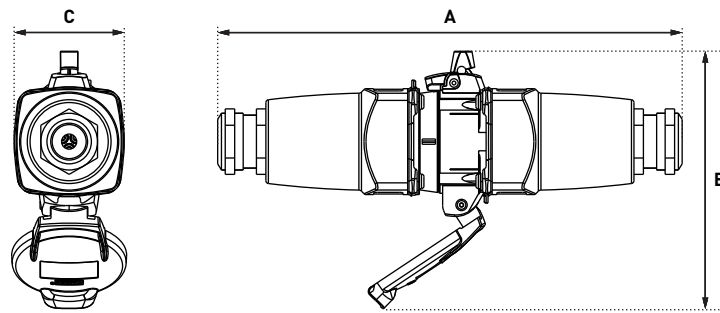
A	B	C	D	E1	E2
213	193	110	114	94	70

PLUG ON 45° INCLINED SOCKET OUTLET



A	B	C	D	E1	E2
153	189	77	107	63	95

COUPLER



A	B	C
246	136	58



25 CONTACTS

10 A

440 V
U_{MAXI}

CONNECTORS MULTICONTACTS DXN25C

MARECHAL ELECTRIC FRANCE

II 2 G D Ex e IIC T* Gb

EX TB IIIC T** DB

-40 °C ≤ Ta ≤ +40 °C : T6 T51°C

-40 °C ≤ Ta ≤ +60 °C : T5 T71°C

IECEX LCIE 14.0040X / LCIE 09 ATEX 3050X

MARECHAL ELECTRIC FRANCE

II 2 G D Ex ia ou ib IIC T6 Gb

EX TB IIIC T** DB

-40 °C ≤ Ta ≤ +40 °C : T51°C

-40 °C ≤ Ta ≤ +60 °C : T71°C

IECEX LCIE 14.0040X / LCIE 09 ATEX 3050X



IP66
IP67



1-2,5 mm²



METAL



IK09



-40 °C
+60 °C



ATEX



1, 2,
21, 22

OTHER FEATURES

Rated current (with wiring according to standard)

4-20mA/10A

Terminals wiring

Crimping

Flexible wiring (min.-max.).

1-2,5 mm²

STANDARDS

International and European IEC/EN standards

60079-0, 60079-7 et 60079-31

Protection mode

e, tb
ia or ib, tb (consult us)

REFERENCES AND OPTIONS

WALL MOUNTING

socket female
DXN25c



PLUG male
DXN25c



Input	Cable outer Ø	Reference	Input	Cable outer Ø	Reference
M32	12-21 mm	36D000232M	M32	12-21 mm	36D100232M
M40	16-27 mm	36D0002	M40	16-27 mm	36D1002



Locking position
connected or
disconnected by
lockable shaft.

Other accessories
on request.

Each product is
supplied with 2 bags of
13 contacts depending
on the maximum
configuration.
This allows you to set
up the product to suit
your needs.
Delivered with
padlocking shaft.

INCLINED SOCKET FEMALE

DXN25c



INCLINED APPLIANCE inlet male

DXN25c



Reference	Reference
36D7002	36D9002

COUPLER SOCKET

female
DXN25c



INCLINED APPLIANCE inlet

DXN25c



Input	Cable outer Ø	Reference	Input	Cable outer Ø	Reference
M32	12-21 mm	36D300232M	M32	12-21 mm	36D600232M
M40	16-27 mm	36D3002	M40	16-27 mm	36D6002

INFOS +

Leaving 2 contacts unused can give 9 different keying positions (on socket outlet side or mobile plug side) using the two specific stopping plugs supplied.

OPTIONS

Reference

BAG OF 13 FEMALES CONTACTS



01AA213

BAG OF 13 MALES CONTACTS



61CA113

REMOVAL KEY



61CA593

OPTIONS

Reference

CRIMPING TOOL



61CA500

HELAVIA SLEEVE EXPANSION TOOL



61CA400

BAG OF 13 HEAT SHRINK INSULATION SLEEVES

61CA083

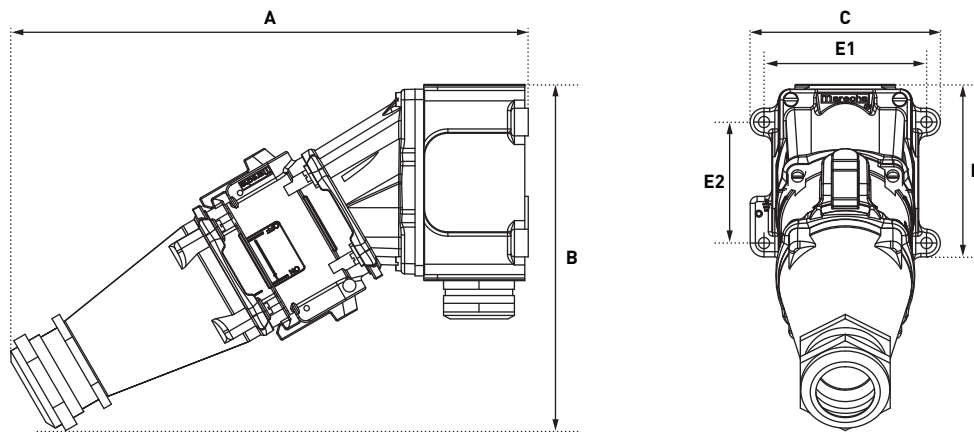
INLET CAP IP66/IP67



313A426

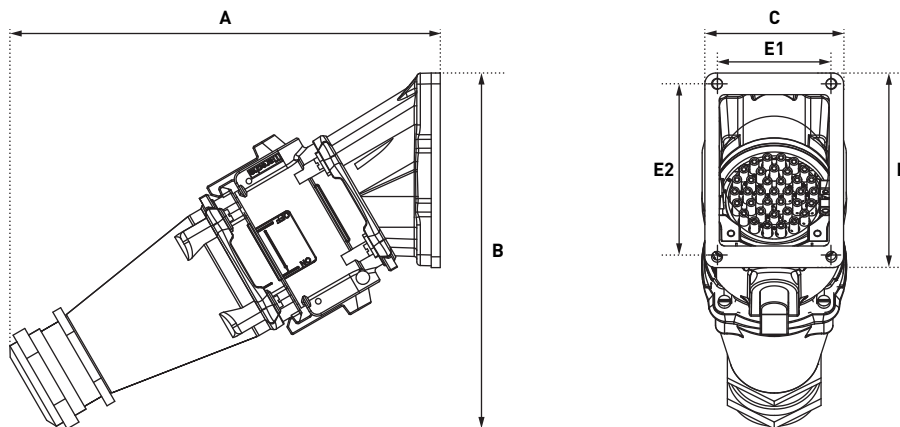
DRAWINGS AND DIMENSIONS

PLUG ON 30° WALL MOUNTED SOCKET OUTLET



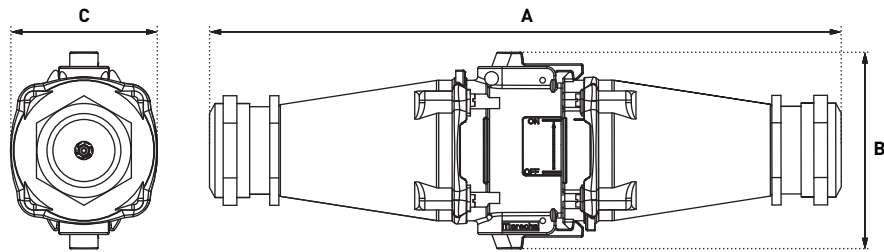
A	B	C	D	E1	E2
299	200	110	114	94	70

PLUG ON 30° INCLINED SOCKET-OUTLET



A	B	C	D	E1	E2
239	197	77	107	63	95

COUPLER



A	B	C
346	108	80



37 CONTACTS

10 A

230 V
U_{MAXI}

CONNECTORS MULTICONTACTS DXN37C

MARECHAL ELECTRIC FRANCE

II 2 G D Ex e IIC T* Gb

EX TB IIIC T** DB

-40 °C ≤ Ta ≤ +40 °C : T6 T56°C

-40 °C ≤ Ta ≤ +55 °C : T5 T76°C

IECEx LCIE 14.0038X / LCIE 07 ATEX 6071X

MARECHAL ELECTRIC FRANCE

II 2 G D Ex ia ou ib IIC T6 Gb

EX TB IIIC T** DB

-40 °C ≤ Ta ≤ +40 °C : T56°C

-40 °C ≤ Ta ≤ +55 °C : T76°C

IECEx LCIE 14.0038X / LCIE 07 ATEX 6071X



IP66
IP67



1-2,5 mm²



METAL



IK09



-40 °C
+55 °C



ATEX



1, 2,
21, 22

OTHER FEATURES

Rated current (with wiring according to standard)

4-20mA/10A

Terminals wiring :

crimping

Flexible wiring (min.-max.).

1-2,5 mm²

STANDARDS

International and European IEC/EN standards

60079-0, 60079-7 et 60079-31

Protection mode

e, tb
ia or ib, tb (consult us)

REFERENCES AND OPTIONS

WALL MOUNTING

socket female
DXN37C



Input	Cable outer Ø	Reference
M32	12-21 mm	36C000332M
M40	16-27 mm	36C0003

PLUG male
DXN37C



Input	Cable outer Ø	Reference
M32	12-21 mm	36C100332M
M40	16-27 mm	36C1003



Locking position
connected or
disconnected by
lockable shaft.

Other accessories
on request.

Each product is
supplied with 3 bags of
13 contacts depending
on the maximum
configuration.
This allows you to set
up the product to suit
your needs.
Delivered with
padlocking shaft.

INCLINED SOCKET FEMALE

DXN37C



Reference
36C7003

INCLINED APPLIANCE inlet male

DXN37C



Reference
36C9003

COUPLER SOCKET

female
DXN37C



Input	Cable outer Ø	Reference
M32	12-21 mm	36C300332M
M40	16-27 mm	36C3003

INCLINED APPLIANCE inlet

DXN37C



Input	Cable outer Ø	Reference
M32	12-21 mm	36C600332M
M40	16-27 mm	36C6003

INFOS +

Leaving 2 contacts unused can give 9 different keying positions (on socket outlet side or mobile plug side) using the two specific stopping plugs supplied.

OPTIONS

Reference

BAG OF 13 FEMALES CONTACTS



01AA213

BAG OF 13 MALES CONTACTS



61CA113

REMOVAL KEY



61CA593

OPTIONS

Reference

CRIMPING TOOL



61CA500

HELAVIA SLEEVE EXPANSION TOOL



61CA400

BAG OF 13 HEAT SHRINK INSULATION SLEEVES

61CA083

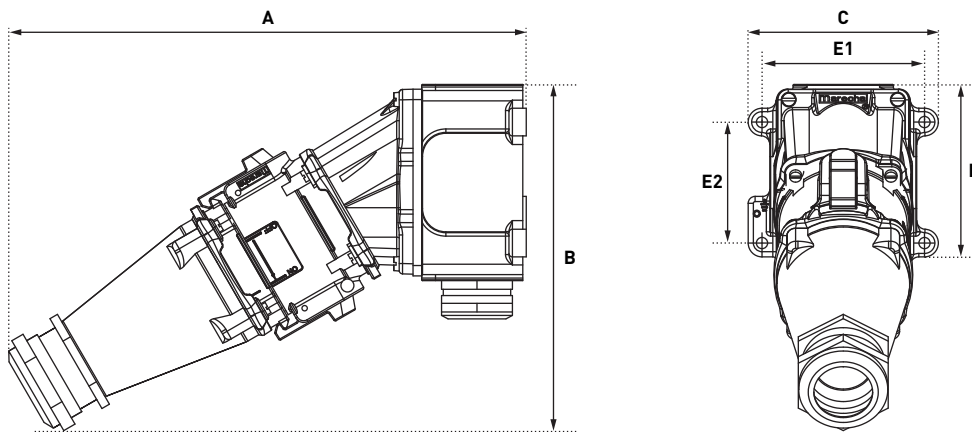
INLET CAP IP66/IP67



313A426

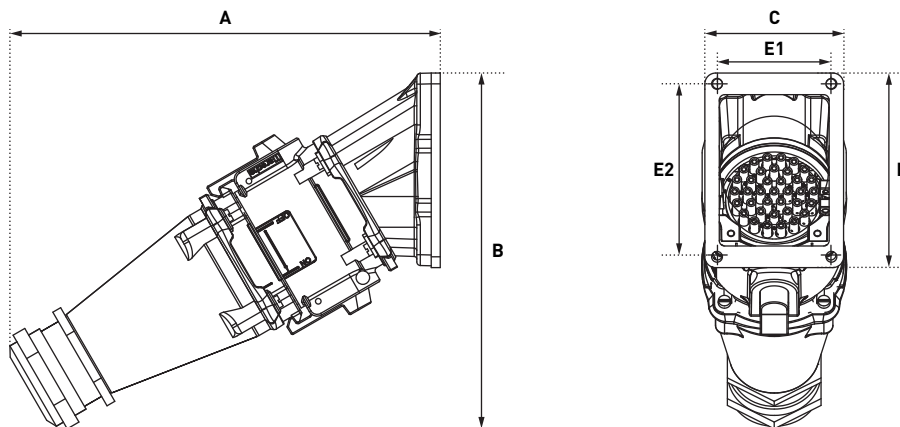
DRAWINGS AND DIMENSIONS

PLUG ON 30° WALL MOUNTED SOCKET OUTLET



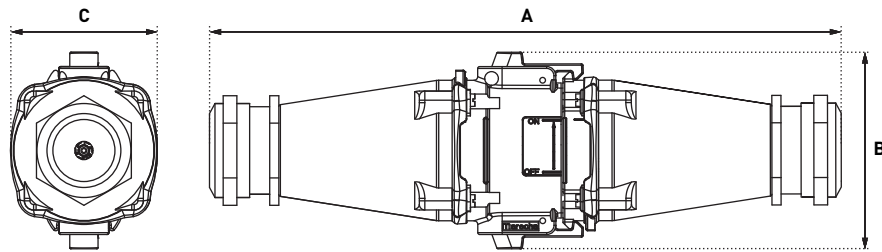
A	B	C	D	E1	E2
299	200	110	114	94	70

PLUG ON 30° INCLINED SOCKET-OUTLET



A	B	C	D	E1	E2
239	197	77	107	63	95

COUPLER



A	B	C
346	108	80



BOXES



EMPTY ENCLOSURES

DISTRIBUTION AND JUNCTION

B2X/CDX INCREASED SAFETY ENCLOSURES



292

- II 2 G D Ex eb IIC, Ex tb IIIC Db
- GRP casing
- 120x120 mm or 160x160 mm or 342x225x156 mm
- On hinges

B2X SOCKET OR JUNCTION BOXES



P. 294

- II 2 G D Ex e IIC, Ex tb IIIC
- Intrinsic safety capability
- GRP casing
- For Ex socket and/or EX terminals
- 120x120 mm ou 160x160 mm
- On hinges

MXBJ JUNCTION BOXES



P. 298

- II 2 G D Ex eb IIC, Ex tb IIIC
- Intrinsic safety capability
- GRP casing, aluminium, stainless steel AISI 316L
- Custom configuration

MXBS SOCKET-OUTLET COMBINATION BOXES



P. 300

- II 2 G D Ex eb IIC, Ex tb IIIC
- Intrinsic safety capability
- Assembly of multi-contact connectors and socket-outlets on the same enclosure
- GRP casing, aluminium, stainless steel AISI 316L
- Custom configuration

CONTROL AND SIGNALLING

ENCLOSURES

CONTROL STATIONS



Increased
safety



Flameproof



IIB + H2



IIC

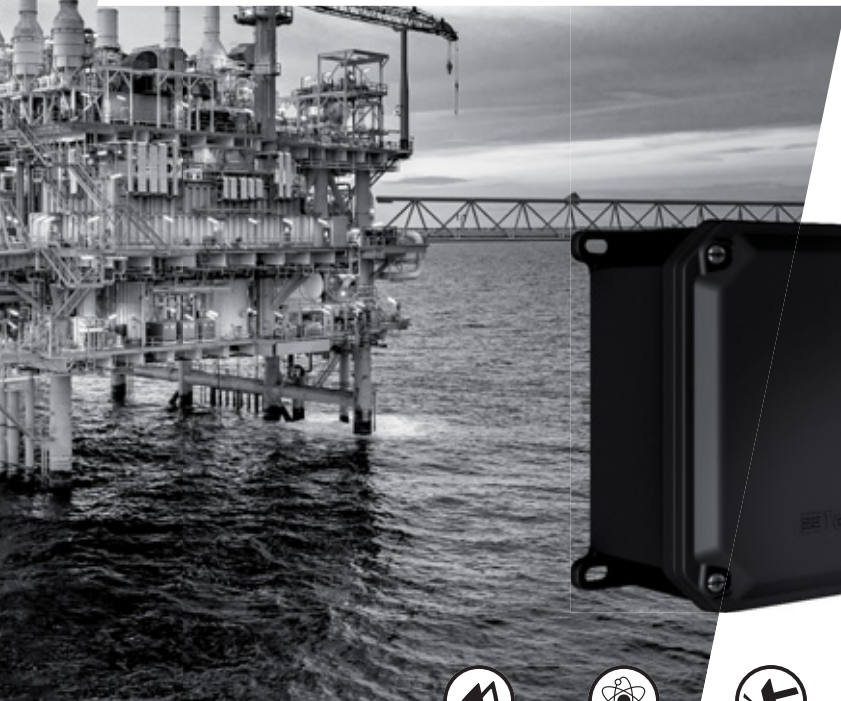
P. 302

- II 2 G D Ex eb IIC, Ex tb IIIC
- or II 2 G D Ex db IIC, Ex tb IIIC
- Intrinsic safety option
- A wide range of boxes equipped with certified accessories (push buttons, light indicators etc...)
- GRP casing, aluminium, stainless steel AISI 316L
- Custom configuration

P. 304

- II 2 G D Ex db IIB ou IIB+H₂ ou IIC
- or II 2 G D Ex d IIC, Ex tb IIIC
- A wide range of metal boxes (cast aluminium or stainless steel) equipped with certified accessories (push buttons, rotating buttons, light indicators, potentiometers...)
- Custom configuration

INCREASED SAFETY ENCLOSURES B2X/CDX



IP66
IP67



GRP



IK09



B2X
-50 °C
+85 °C



CDX
-25 °C
+90 °C



ATEX



1, 2,
21, 22

OTHER FEATURES

CDX modularity

Flat or angled covers

STANDARDS

International and European IEC/EN standards

62262, 60079-0, 60079-7 and 60079-31

MARKING AND CERTIFICATION

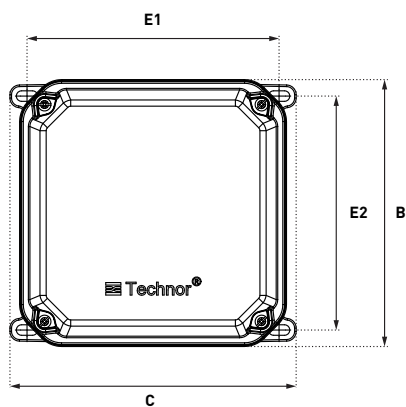
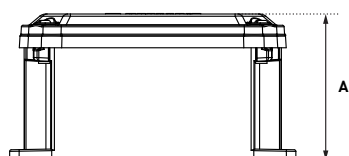
ATEX markings

II 2 G Ex eb IIC Gb
II 2 D Ex tb IIIC Db

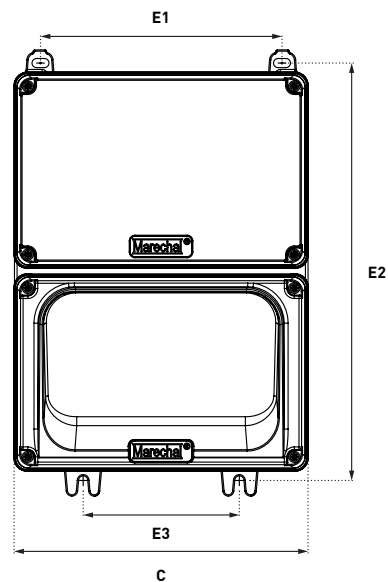
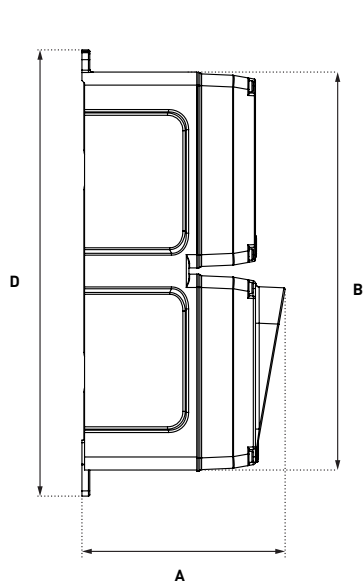
Certificates

IECEX and ATEX component certificates pending

DRAWINGS AND DIMENSIONS



	A	B	C	E1	E2
120x120	91	141	126	117	106
160x160	91	178	166	157	146



	A	B	C	D	E1	E2	E3
CDX	156	305	225	342	185	320	120

SOCKET OR JUNCTION BOXES B2X



IP66
IP67



0,22 –
35 mm²



GRP



IK09



-50 °C
+60 °C



ATEX



1, 2,
21, 22



Existing terminal configurations for 25 A, 32 A, 45 A and 63 A.

OTHER FEATURES

Dimensions	120x120x90 and 160x160x90
Fitting	Certified Ex e terminals
Cable entries	M12 to M40
Flexible and stranded wiring (min.-max.)	0,22 – 35 mm ²

STANDARDS

International and European IEC/EN standards	62262, 60079-0, 60079-7, 60079-11 et 60079-31
---	---

ASSOCIATED MARECHAL® PRODUCTS

DECONTACTOR™	DXA1, DXN1, DXN3 and DXN6
Connectors	PNCX
Multicontact connectors	PXN12C

MARKING AND CERTIFICATION

ATEX markings

⁽²⁾ depending on configurations and ambient T° T6/T5/T4 for the gas.

Certificates

Certificates IECEX N° IECEX LCIE 16.0042X
ATEX N° LCIE 16 ATEX 3054X

CONFIGURATIONS

- For standard configurations of socket boxes with terminals, see the DXN1, DXN3 and DXN6 pages.
- For special configurations, contact us.



ACCESSORIES ON REQUEST

- Earth stud
- Earth bar
- Junction bar
- Draining and breathing device
- Earth continuity plate
- Metal cable gland with or without earth continuity

CONFIGURATION TYPES

POLYAMIDE CABLE GLAND



Junction box in GRP, with polyamide cable glands, blanking-plug, terminals as described.

SIZE	CONFIG.	CABLE GLAND	STOPPING PLUG (as free part)	TERMINAL	MAX CURRENT ⁽¹⁾	ARTICLE NUMBER
120x120x90 mm		2 x M20 (10-14 mm)	/	5 x 4 mm ² + 2 E	25 A	24A1C0000J169
		3 x M20 (10-14 mm)	1 x M20	5 x 4 mm ² + 2 E	25 A	24A1C0000J170
		4 x M20 (10-14 mm)	2 x M20	7 x 4 mm ² + 2 E	25 A	24A1C0000J171
		2 x M25 (12-18 mm)	/	5 x 6 mm ² + 2 E	32 A	24A1D0000J172
		3 x M25 (12-18 mm)	1 x M25	5 x 6 mm ² + 2 E	32 A	24A1D0000J173
		4 x M25 (12-18 mm)	2 x M25	7 x 6 mm ² + 2 E	32 A	24A1D0000J174
160x160x90 mm		2 x M32 (16-25 mm)	/	5 x 10 mm ² + 2 E	45 A	24C1E0000J175
		3 x M32 (16-25 mm)	1 x M32	5 x 10 mm ² + 2 E	45 A	24C1E0000J176
		4 x M32 (16-25 mm)	2 x M32	7 x 10 mm ² + 2 E	45 A	24C1E0000J177
		2 x M40 (22-32 mm)	/	5 x 16 mm ² + 2 E	63 A	24C1F0000J178
		3 x M40 (22-32 mm)	1 x M40	5 x 16 mm ² + 2 E	63 A	24C1F0000J179
		4 x M40 (22-32 mm)	2 x M40	7 x 16 mm ² + 2 E	63 A	24C1F0000J180
		6 x M20 (10-14 mm)	3 x M20	12 x 4 mm ² + 4 E	25 A	24C1C0000J195
		8 x M20 (10-14 mm)	4 x M20	14 x 4 mm ² + 4 E	25 A	24C1C0000J196
		6 x M25 (12-18 mm)	3 x M25	12 x 6 mm ² + 4 E	32 A	24C1D0000J197
		8 x M25 (12-18 mm)	4 x M25	12 x 6 mm ² + 4 E	32 A	24C1D0000J198
		6 x M32 (16-25 mm)	3 x M32	10 x 10 mm ² + 3 E	45 A	24C1E0000J199
		8 x M32 (16-25 mm)	4 x M32	10 x 10 mm ² + 3 E	45 A	24C1E0000J200

[1] Maximum current, at +60°C, for the maximum cable cross-section per terminal of the configuration concerned.
Details and drawings available on request.



According to configurations and the temperature class requested, the maximum current can be modified.
Contact us for other configurations and boxes.

CONFIGURATION TYPES

POLYAMIDE CABLE GLAND



Junction box in GRP, with cable glands, blanking-plug, terminals as described.

SIZE	CONFIG.	CABLE GLAND	STOPPING PLUG (as free part)	TERMINAL	MAX CURRENT ⁽¹⁾	ARTICLE NUMBER
120x120x90 mm		2 x M20 (6-12/8-17 mm)	/	5 x 4 mm ² + 2 E	25A	24A1C0000J201
		3 x M20 (6-12/8-17 mm)	1 x M20	5 X 4 mm ² + 2 E	25A	24A1C0000J202
		4 x M20 (6-12/8-17 mm)	2 x M20	7 X 4 mm ² + 2 E	25A	24A1C0000J203
		2 x M25 (6-17/14-23 mm)	/	5 X 6 mm ² + 2 E	32A	24A1D0000J204
		3 x M25 (6-17/14-23 mm)	1 x M25	5 X 6 mm ² + 2 E	32A	24A1D0000J205
		4 x M25 (6-17/14-23 mm)	2 x M25	7 X 6 mm ² + 2 E	32A	24A1D0000J206
160x160x90 mm		2 x M32 (14-23/20-29 mm)	/	5 X 10 mm ² + 2 E	45A	24C1E0000J207
		3 x M32 (14-23/20-29 mm)	1 x M32	5 X 10 mm ² + 2 E	45A	24C1E0000J208
		4 x M32 (14-23/20-29 mm)	2 x M32	7 X 10 mm ² + 2 E	45A	24C1E0000J209
		2 x M40 (23-36/29-42 mm)	/	5 X 16 mm ² + 2 E	63A	24C1F0000J210
		3 x M40 (23-36/29-42 mm)	1 x M40	5 X 16 mm ² + 2 E	63A	24C1F0000J211
		4 x M40 (23-36/29-42 mm)	2 x M40	7 X 16 mm ² + 2 E	63A	24C1F0000J212
		6 x M20 (6-12/8-17 mm)	3 x M20	12 X 4 mm ² + 4 E	25A	24C1C0000J213
		8 x M20 (6-12/8-17 mm)	4 x M20	14 X 4 mm ² + 4 E	25A	24C1C0000J214
		6 x M25 (6-17/14-23 mm)	3 x M25	12 X 6 mm ² + 4 E	32A	24C1D0000J215
		8 x M25 (6-17/14-23 mm)	4 x M25	12 X 6 mm ² + 4 E	32A	24C1D0000J216
		6 x M32 (14-23/20-29 mm)	3 x M32	10 X 10 mm ² + 3 E	45A	24C1E0000J217
		8 x M32 (14-23/20-29 mm)	4 x M32	10 X 10 mm ² + 3 E	45A	24C1E0000J218

[1] Maximum current, at +60°C, for the maximum cable cross-section per terminal of the configuration concerned.
Details and drawings available on request.



According to configurations and the temperature class requested, the maximum current can be modified.
Contact us for other configurations and boxes.

JUNCTION BOXES

MXBJ



IP66



0,2 -
300 mm²



GRP
METAL



IK09



-25 °C⁽¹⁾
+60 °C



ATEX



1, 2,
21, 22



Existing terminal configurations up to 400 A.

OTHER FEATURES

Material	GRP casing, aluminium, stainless steel AISI 316L.
Cable entries	M12 to M80.
Flexible and stranded wiring (min.-max.)	0,2 - 300 mm ²

STANDARDS

International and European IEC/EN standards	62262, 60079-0, 60079-7, 60079-11 et 60079-31.
---	--

MARKING AND CERTIFICATION

ATEX markings	II 2 G Ex eb IIC T ⁽²⁾ Gb increased safety II 2 G Ex ia IIC T ⁽²⁾ Gb or II 2 G Ex ib IIC T ⁽²⁾ Gb intrinsic safety II 2 G Ex eb ib or ia IIC T ⁽²⁾ Gb increased safety and intrinsic safety II 2 D Ex tb IIIC T ⁽²⁾ Db in dust.
	⁽²⁾ Depending on ambient temperature and terminals used.
	Certificates IECEx N° IECEx LCI 11.0026X et ATEX N° LCIE 11 ATEX 3028X.



i ACCESSORIES ON REQUEST

- Earth stud
- Earth bar
- Shield bar
- Junction bar
- Hinges
- Mounting
- Purge or breather
- Earthing plate
- Metal gland with or without earth ring

SOCKET-OUTLET COMBINATION BOXES MXBS



IP66



0,22 -
400 mm²



GRP
METAL



IK09



-25 °C⁽¹⁾
+60 °C



ATEX



1, 2,
21, 22

Existing terminal configurations up to 680 A.



OTHER FEATURES

Material	Casing in GRP, aluminium alloy or stainless steel. Screws in stainless steel.
Junction	Terminal blocks. Feed through and loop-in loop-out connection.
Cable entries	M12 to M80 depending on the size of the box/Polyamide cable gland for unarmoured cable. Nickel plated brass cable gland for unarmoured cable and armoured cable (with plate or washer bonding inside the box).
Flexible and stranded wiring (min.-max.)	0,22 - 400 mm ²

STANDARDS

International and European IEC/EN standards 62262, 60079-0, 60079-7, 60079-11 et 60079-31.

MARKING AND CERTIFICATION

ATEX markings Ex II 2 G Ex eb IIC T⁽²⁾ Gb increased safety Ex II 2 G Ex ia IIC T⁽²⁾ Gb
 Ex II 2 G Ex ib IIC T⁽²⁾ Gb intrinsic safety
 Ex II 2 G Ex eb ia or eb ib IIC T⁽²⁾ Gb increased safety and intrinsic safety
 Ex II 2 D Ex tb IIIC T⁽²⁾ Db in dust.

⁽²⁾ Depending on ambient temperature and connectivity used..

Certificates Certificates IECEx N° IECEx LCI 11.0042X
ATEX n° LCIE 11 ATEX 3047X.

ASSOCIATED MARECHAL® PRODUCTS

DECONTACTOR™	DXA1, DXN1, DXN3 and DXN6
Connectors	PNCX and SPeX
Multicontact connectors	PXN12C, DXN25C and DXN37C

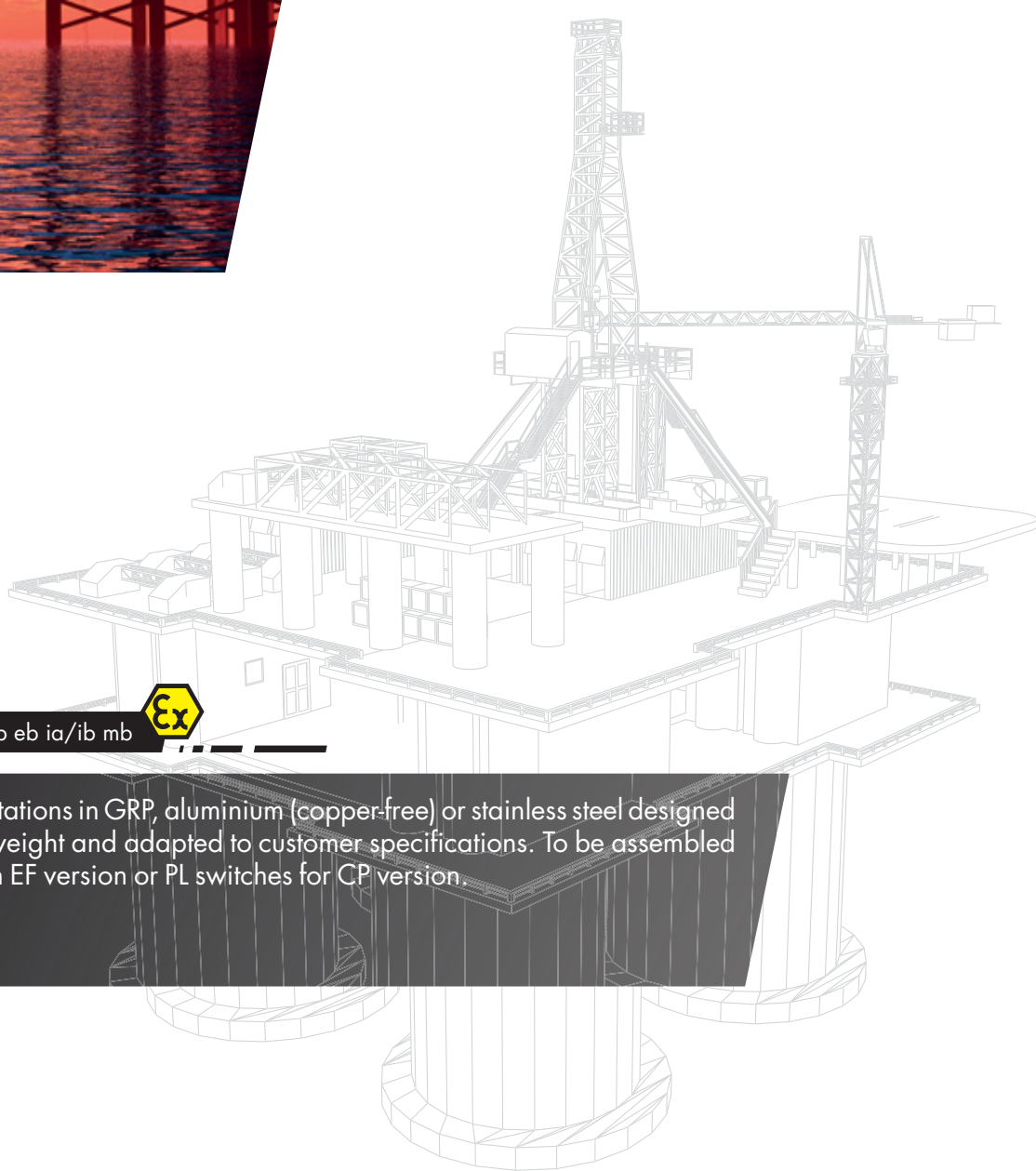



ACCESSORIES ON REQUEST

- Inclined sleeve
- Earth stud
- Earth bar
- Hinges
- Mounting brackets
- Purge or breather
- Earthing plate
- Metal gland with or without earth ring

CONTROL STATIONS AND BOXES

INCREASED SAFETY AND
FLAMEPROOF



Ex db, Ex eb, Ex db eb, Ex db eb ia/ib mb 

A wide range of control stations in GRP, aluminium (copper-free) or stainless steel designed for more flexibility, less weight and adapted to customer specifications. To be assembled with Ex db eb switches in EF version or PL switches for CP version.

INCREASED SAFETY

EFXE..

II 2 G Ex eb IIC Gb or II 2 G Ex db eb IIC Gb
II 2 (1) G Ex db eb ia/ib mb [ia] IIC Gb
II 2D Ex tb IIIC Db IP66/IP67



- AISI-316L stainless steel.
- Acid treatment.
- Hidden hinges.
- Customised dimensions up to 910x1140x500 mm.
- From -50 °C to +60 °C.
- Designed to meet the requirements for use ON and OFF-SHORE, in petrochemical and marine applications.

EFXE..

II 2 G Ex eb IIC Gb or II 2 G Ex db eb IIC Gb
II 2 G Ex db eb ia/ib mb IIC Gb
II 2D Ex tb IIIC Db IP66/IP67



- Copper-free aluminum.
- From -50 °C to +60 °C.
- A wide range of dimensions.

EFE..

II 2 G Ex eb IIC Gb or II 2 G Ex db eb IIC Gb
II 2 G Ex db eb ia/ib mb IIC Gb
II 2D Ex tb IIIC Db IP66/IP67



- GRP material.
- Designed to meet the requirements for use ON and OFF-SHORE, in petrochemical and marine applications.
- From -50 °C to +60 °C
- A wide range of dimensions.

FLAMEPROOF

CP../EFDCN..

II 2G Ex db IIC Gb
II 2D Ex tb IIIC Db IP66



- Copper-free aluminum.
- From -50 °C to +60 °C (ATEX),
From -60 °C to +60 °C (IECEX).

CP../EFSRC..

II 2G Ex db IIC Gb
II 2D Ex tb IIIC Db IP66



- Copper-free aluminum.
- Selector switches can be customised on request.
- From -50 °C to +60 °C (ATEX),
From -60 °C to +60 °C (IECEX).

EPKZM

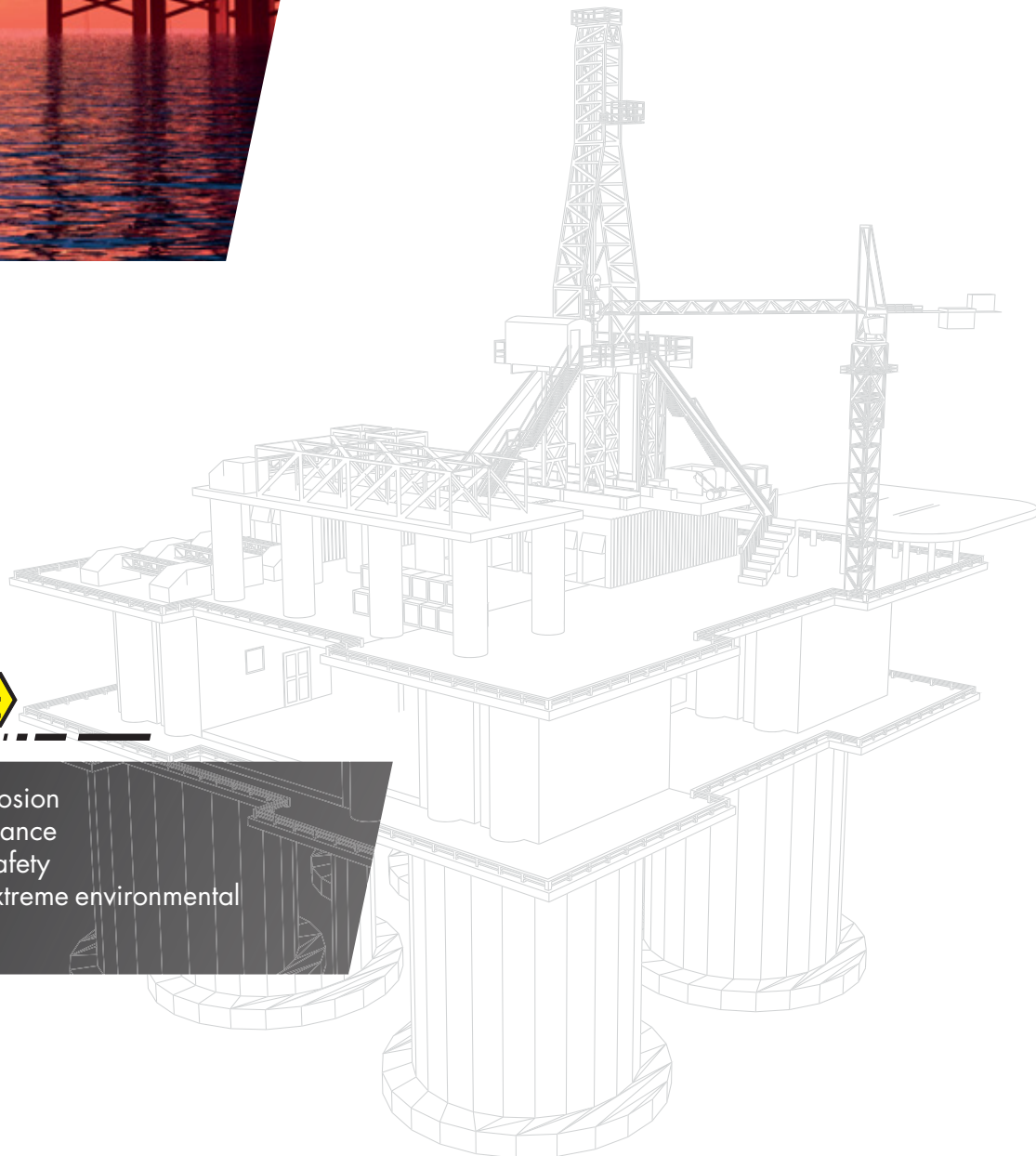
II 2G Ex d IIB T6 Gb
II 2D Ex tb IIIC T85 °C Db IP66/IP67



- Copper-free aluminum.
- used to house motor protector circuit breakers up to 63 A.
- From -30 °C to +55 °C.
- ATEX certification only.

BOXES AND ENCLOSURES

GAS GROUP
IIB + H₂ AND IIC



Ex db IIB, IIB+H₂ et IIC



- High resistance to corrosion
- High mechanical resistance
- Highest standards of safety
- An ideal solution for extreme environmental conditions

GAS GROUP IIB + H2

EJB..

II 2G Ex db IIB Gb or Ex db IIB+H₂ Gb
II 2D Ex tb IIIC Db IP65 or 66



- Copper-free aluminum.
- Adapted for indoor and outdoor applications.
- AISI316 stainless steel screws.
- From -60°C to +60°C
- IP65, IP66.

EJB..

II 2G Ex db IIB Gb or Ex db IIB+H₂ Gb
II 2D Ex tb IIIC Db IP65 or 66



- AISI 316L stainless steel or galvanised steel.
- Adapted for indoor and outdoor applications.
- AISI 316L stainless steel screws and accessories.
- From -60°C to +60°C
- IP65, IP66.
- Customised dimensions.

GAS GROUP IIC

GUB..

II 2G Ex d IIC Gb
II 2D Ex tb IIIC Db IP66



- Copper-free aluminum.
- Adapted for indoor and outdoor applications.
- From -50 °C to +55 °C (ATEX), from -60 °C to +60 °C (IECEX).
- AISI 316L version: customised dimensions on request.

GUB/EMH..

II 2G Ex d IIC Gb
II 2D Ex tb IIIC Db IP66



- Copper-free aluminum.
- Adapted for indoor and outdoor applications.
- From -50 °C to +55 °C (ATEX), from -60 °C to +60 °C (IECEX).
- Window diameter from 155 to 230 mm..
- AISI 316L version: customised dimensions on request.

GUB../QL

II 2G Ex d IIC Gb
II 2D Ex tb IIIC Db IP66



- Copper-free aluminum.
- Adapted for indoor and outdoor applications.
- Can be fitted with push buttons, rotary selectors.
- From -50 °C to +55 °C (ATEX), from -60 °C to +60 °C (IECEX).
- AISI 316L version: customised dimensions on request.

CPS../EMH

II 2G Ex db IIC Gb
II 2D Ex tb IIIC Db IP66



- Copper-free aluminum.
- Adapted for indoor and outdoor applications.
- From -50 °C to +60 °C (ATEX), from -60 °C to +60 °C (IECEX).

LIGHTING



LINEAR LED LIGHTING

FLOODLIGHT AND WELLGLASS LED/HALOGEN/H.I.D.

EVF-P.. LED/FLUORESCENT

II 2G Ex mb db eb IIC T4 Gb
(normal & emergency)
II 2D Ex tb IIIC T130°C Db



Luminosity: up to 13 000 lm
Luminous efficiency: 172 lm/W
LED colour: 4.400 K

- Ambient temp. range: -20°C/+55°C (emergency: -20°C/+40°C).
- Transparent PC UV protected casing with copper-free aluminum flanges.



FL.. LED

II 2 G Ex db IIB+H₂ T₆/T₅/T₄ Gb
II 2 D Ex tb IIIC T₈₅°C/T₁₀₀°C/T₁₃₅°C Db IP66



Luminosity: up to 12.000lm
Luminous efficiency: 125 lm/W
LED colour: 5.000 K

- Ambient temp. range: -50°C/+55°C.
- Copper-free aluminium body.
- Stainless steel mounting brackets.
- Available with battery pack for 180 min.



EVF-L.. LED/FLUORESCENT

II 2G Ex mb db eb IIC T4 Gb
(normal & emergency)
II 2D Ex tb IIIC T₁₃₀°C Db



Luminosity: up to 13 000 lm
Luminous efficiency: 170 lm/W
LED colour: 4.400 K

- Ambient temp. range: -20°C/+60°C.
- Transparent PC UV protected casing with GRP flanges.



FL.. H.I.D.

II 2 G Ex db eb IIB+H₂ T₄/T₃/T₂ Gb
II 2 D Ex tb IIIC T₁₃₅°C to T₂₃₅°C Db IP66



Power: up to 400 W

- Ambient temp. range: -50°C/+55°C;
- Copper-free aluminium or AISI316L stainless steel body;
- AISI304 stainless steel mounting brackets.
- Suitable for H.I.D. lamp (metal halide or high pressure sodium).



G2X LED/FLUORESCENT

II 3 G Ex nA IIC T₆ Gc;
II 3 D Ex tc IIIC T₈₅°C Dc IP66.



Luminosity: up to 5 200 lm
Luminous efficiency: 118 lm/W

- T°C amb. : -20°C/+40°C.
- GRP body.
- Available also for safe areas.



EVDE-PR 3 LED/SPOTLIGHT

II 2 G Ex db IIC T₅/T₄/T₃ Gb;
II 2 D Ex tb IIIC T₁₀₀°C/T₁₃₅°C/T₂₀₀°C Db IP66.



Luminosity : up to 22 000 lm
Luminous efficiency: up to 135 lm/W
LED colour: 4000 K

- T°C Amb.: -60°C/+60°C.
- LED floodlight.
- Copper-free aluminum body.



SELECTION GUIDE

VISUAL SIGNAL

FL1 LED



II 2G Ex db eb mb IIC T4 Gb
II 2D Ex mb tb IIIC T90°C Db IP66



Luminosity: up to 32.000 lm
Luminous efficiency: 125 lm/W

- Ambient temp. range: -30°C/+60°C
- Copper-free aluminium body
- Modular solution: up to 4 units

EVDE-5 LED MIOL - MEDIUM INTENSITY OBSTRUCTION LIGHT



II 2 G Ex db IIC T5/T4/T3 Gb
II 2 D Ex tb IIIC T100°C/T135°C/T200°C Db IP66.



Luminosity:
Type A: up to 20.000 cd white flashing (day) + 2.000 cd white flashing (night)

Type B: up to 2.000 cd red flashing (night)

Type AB: up to 20.000 cd white flashing (day) + 2.000 cd red flashing (night)

Type AC: up to 20.000 cd white flashing (day) + 2.000 cd steady red (night)

- Designed for structures > 45 m
- Compliant with ICAO Annex 14
- Available in single or twin version

TL2 LED



II 2 D Ex tb IIIA T80°C Db;
II 3 G Ex ec IIC T3 Gc;
II 3 D Ex tc IIIB T80°C Dc.



Luminosity: up to 50.220 lm
Luminous efficiency: 164 lm/W

- Ambient temp. range: -40°C/+55°C
- Thermal protection against overtemperature
- Overvoltage protection system

EV../XN-MXN LED/XENOFASH LIGHT



II 2 G Ex db IIC T5/T4 Gb;
II 2 G Ex db eb IIC T5/T4 Gb;
II 2 D Ex tb IIIC T100°C/T135°C Db IP66.



Luminosity: up to 8.500 cd

- Ambient temp. range: -60°C/+60°C;
- Copper-free aluminium body.
- Provided with Fresnel lens.
- Available in different luminous intensities: 2J, 6J, 15J.
- Provided with red lamp.

EVCC-PR LED/TRAFFIC LIGHT



II 2 G Ex db IIC T3 Gb
II 2 D Ex tb IIIC T200°C Db IP66.



Luminosity: up to 1.500 cd

- Ambient temp. range: -20°C/60°C
- Copper-free aluminium body.
- Provided with red and green lamps.

The background features a large blue triangle on the left side. Overlaid on this and the white background are several large, semi-transparent grey gears of different sizes. A network of thin grey lines connects various circular nodes of different shades (white, light grey, dark grey) across the page. Some nodes are arranged in horizontal rows, while others form vertical or diagonal paths. There are also some faint grid lines and arrows pointing in various directions, suggesting a technical or data-driven theme.

ACCESSORIES AND SPARE PARTS



SOMMAIRE

MECHANICAL LOCKING	P. 310
ELECTRO-MECHANICAL LOCKING SYSTEM	P. 312
CABLE AMPLIFIER LUGS	P. 312
STOP-LATCH.....	P. 313
TYPOLOGY OF LIDS	P. 314
DRAW MECHANISM.....	P. 315
ELECTROMAGNETIC COMPATIBILITY (EMC)	P. 316
MAIN OPTION COMBINATION SUFFIXES	P. 317
CABLE GLANDS.....	P. 318
REVERSED INTERIOR AND CONTACTS	P. 320
PHASE-SEQUENCE INDICATOR	P. 320
VISUAL STATUS INDICATORS	P. 321
INDUSTRIAL/DOMESTIC ADAPTER	P. 321
PILOTS AND AUXILIARIES.....	P. 322
SPARE PARTS	P. 324



MECHANICAL LOCKING

IMMEDIATE VISIBILITY AND SAFETY FOR END-USERS : PADLOCKING

The use of MARECHAL® products can be part of your lockout tagout procedures. Padlocking, when used on your machines or electric motors, ensures protection of your staff with safe local breaking, without any need for an accredited electrical engineer

MARECHAL ELECTRIC offers you simple and fast padlocking for many of its socket-outlets for use in industrial environments or hazardous areas. Padlocking can be done with the socket-outlet either connected or disconnected. It prevents the user from powering some equipment or from inadvertent use during maintenance work.

DECONTACTOR™



Plug alone

A padlock or lockout hasp can be fitted on the inlet body. Add suffix 843 to the inlet part number.

Socket-outlet alone with its lid shut or the full set connected

A padlock or lockout hasp can be fitted on the inlet body. Add suffix 843 to the socket-outlet part number.



Mating, unmating or closing of the lid is made impossible in order to guarantee the safety of the users.

Suffix to be added to the socket-outlet or plug/inlet part number (P/N°) depending on the locking option:

OPTIONS	DSN SERIES	DS/DSP/DSF SERIES	DXN SERIES	PN SERIES	CS1000 SP
Locking shaft for up to 2 padlocks Ø 4 to 8 mm max.	Socket-outlet P/N° + 843	Socket-outlet P/N° + 843	Socket-outlet P/N° + 843	NA	NA
Locking shaft for up to 3 padlocks Ø 8 mm max.	NA	NA	NA	NA	NA
Padlocking latch (no shaft) one padlock Ø 4 mm max.	NA	NA	NA	Socket-outlet P/N° + 843	NA
Allen-screw locking latch*	NA	DS2 Socket-outlet P/N° + 22 (6 mm hexagonal key)	NA	Socket-outlet P/N° + 22 (2.5 mm hexagonal key)	NA
Locking plug/inlet (padlocking hole)	<<< Inlet P/N° + 843 >>>			NA	NA
Safety lock (up to 6 padlocks)	613A541	613A541 (poly shaft) 399A541 (metal shaft)	613A541	NA	NA
Padlocking ring	NA	NA	NA	NA	453A843 454A844

* no possibility to use a padlock.

Some of our ranges are equipped with a mechanical locking device as standard.

With a BTR screw:
PXN12C/DS4

With lockable shaft:
DX/DXN25C and DXN37C

Standard padlocking in the OFF position (Ø 4 to 8 mm).
SEPARABLE SWITCH-DISCONNECTOR EVO





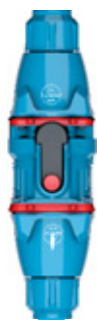
SECURE YOUR ELECTRICAL WORKS WHILE YOUR DEVICES ARE OFF LOAD

With a
DECONTACTOR™



With an **EVO** separable
switch- disconnecter

Separating: local
current interruption
and on load break
▶ Visible break



Separating: local
current interruption
and on load break
▶ Visible break
▶ Fully visible
break



Padlocking: on the device itself

Identifying



NO RISK
OF ERRORS



Safety for end users and
machines

FAST AND EASY
ASSEMBLY



Time
saving

ONGOING AND
WORK IN PROGRESS



Cost reduction

THE INSTALLATION IS SAFE

ALSO VALID FOR Ex VERSIONS.

The use of MARECHAL® DECONTACTOR™ and EVO products may be part of the lock out tag out procedures for safe working.



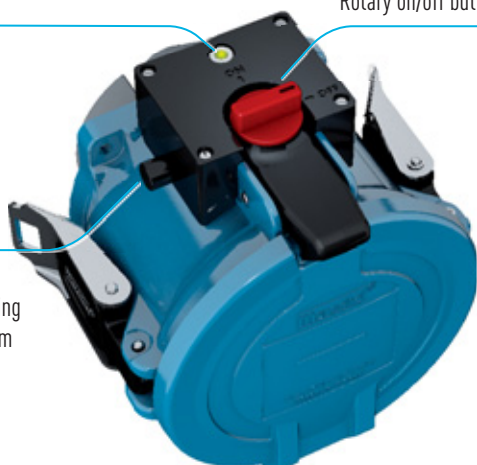
ELECTRO-MECHANICAL LOCKING SYSTEM

NEW

Voltage presence LED light indicator

Rotary on/off button

Captive and discrete locking pin diam. 8mm included.



PLUG ENGAGED SYSTEM FOR THE DS2 AND DS4 :

The latch of the socket is equipped with a plug presence detection system.

- When linked to an upstream control device the external power supply is only turned on once the plug is fully engaged
- The rotary button activates the locking system
- In the ON position the socket release latch is disabled and the plug cannot be removed
- In the case of LED or switch failure, connection of the plug is prevented for safety reasons

Locking system is integrated in the module.

- The system lock works either for the lid only or with the plug connected.
- When the system is locked, operation of the release latch is disabled:
 - ▶ the rotary on/off is also disabled
 - ▶ the release latch is disabled preventing the socket lid to be opened or the plug to be removed.
- When ordering this option, the product IP level will no more be guaranteed.

CABLE LUG AMPLIFIERS



CONDUCTOR SECTION		DSN1	DS1 DSN3	DS2	DS2 350	DS4	DXN6	DX6	DX9	DX2
FLEXIBLE	STRANDED									
4 mm ²	6 mm ²	611A277-06	-	-						
6 mm ²	10 mm ²	611A277-10	-	-						
FLEXIBLE	16 mm ²	611A277-16	613A277-16	-						
25 mm ²	35 mm ²	-	-	-		-	256A277-35	-	-	
50 mm ²	70 mm ²	-	-	-		-	-	266A277-50	-	
70 mm ²	95 mm ²	-	-	-	269A277-70	-	-	-	269A277-70	269A277-70
95 mm ²	120 mm ²	-	-	-	269A277-120	-	-	-	269A277-120	269A277-120
120 mm ²	150 mm ²	-	-	392A277150						
150 mm ²	185 mm ²	-	-	392A277185						
185 mm ²	240 mm ²	-	-	-		394A277-240				

Cable sections are given for information.

A full check must be undertaken due to the variation of diameter depending on manufacturers.



STOP-LATCH

This option is ideal for quick disconnection of machinery and equipment by operators wearing gloves. The latch is fitted with a red label with warning "stop" for ease of identification.



The use of this latch is not recommended in case of in-line coupler extension cables.

Suffix to be added to the socket-outlet part number (P/N°):

OPTION	DSN SERIES	DS SERIES*
Stop-latch	<<< Socket-outlet P/N° + 453 >>>	

* The stop-latch is standard for the metal DS9, DS2 and DS4.



The stop latch is not an emergency-stop button





TYOLOGY OF LIDS

LID OPENING

Different lid opening configurations are available depending on our ranges. See ranges pages for more details.



DS6 meal example



DSN6 GRP example

AUTOMATIC SELF-RETURNING LID AND LID-SPRUNG-CLOSED

A normally closed lid configuration is available for applications where it is desirable to protect the front face of the socket outlet – the shutter – from ingress of dust and debris or potential damage. This option provides a lid that automatically returns to an almost closed position after withdrawal of the plug. The user must then always manually close the lid in order to achieve the complete seal (IP-rating), except for the DS1- and DS3- poly, which are available with an automatic sprung loaded lid, which completely closes.

DS1/DS3 example



PN example



This option is recommended for self-ejecting applications.

Suffix to be added to the socket-outlet part number (P/N°):

OPTION	DSN SERIES	DS SERIES ⁽¹⁾	PN SERIES ⁽²⁾	DXN SERIES
Socket-outlet with self-returning lid closed		<<< Socket-outlet P/N° + R >>>		

(1) For DS1- and DS3-, this is an automatic sprung-closed lid.

(2) The IP55 PN series version is available with a standard automatic sprung-closed lid (no need to add R) : replace N of the P/N° of the socket-outlet by a S.

MOUNTING : LOAD BREAK RELEASE BUTTON SHOULD BE IN UPPER POSITION





DRAW MECHANISM

FINGER DRAW PLATES

Easy-mating accessories.

Part numbers (P/N°) for these products:

OPTION	DSN1	DSN3/DS1	DSN6/DS3	DS6	SP/SPeX
Plates	611A346	613A346	616A346	316A346	
Lever mechanism					454A876
Draw base					454A396

Finger draw-plates are available in pairs with 2 seals and longer fixing screws than standard.



Lever mechanism



Some of our products are supplied with a draw mechanism as standard.

Easy-mating mechanism is included both on socket-outlet and connector side for the below products:

DS9 - 150A



DS2 - 250A



DS4 - 400A





ELECTROMAGNETIC COMPATIBILITY (EMC)

PERFORMANCES IN ELECTROMAGNETIC ENVIRONMENTS

MARECHAL ELECTRIC has developed a simple and reliable solution with outstanding performances in electromagnetic environments. This solution is available for MARECHAL® industrial or hazardous area device ranges, for high currents up to 1 250 A or for signal and control up to 37 contacts.

This solution is particularly adapted to electromagnetic environments involving variable frequency drives for electric motors.

Variable frequency drives include power electronic switches (diodes, thyristors, insulated gate bipolar transistors...) which enable to control the motor power supply frequency, thus its speed.

The switching of these switches generate harmful electromagnetic pollution consisting of:

- current and voltage harmonics, and high frequency (HF) disturbances, generally ranging from 2 to 16 kHz.

This pollution can lead to downtimes caused by overloads, or inadvertent tripping of protection devices.

To reduce such disturbances, MARECHAL ELECTRIC solution consists of using metal housing devices and to associate them with metal accessories (handle, sleeve, wall box, spacer) with an adapted shielding continuity cable gland (see page 318).

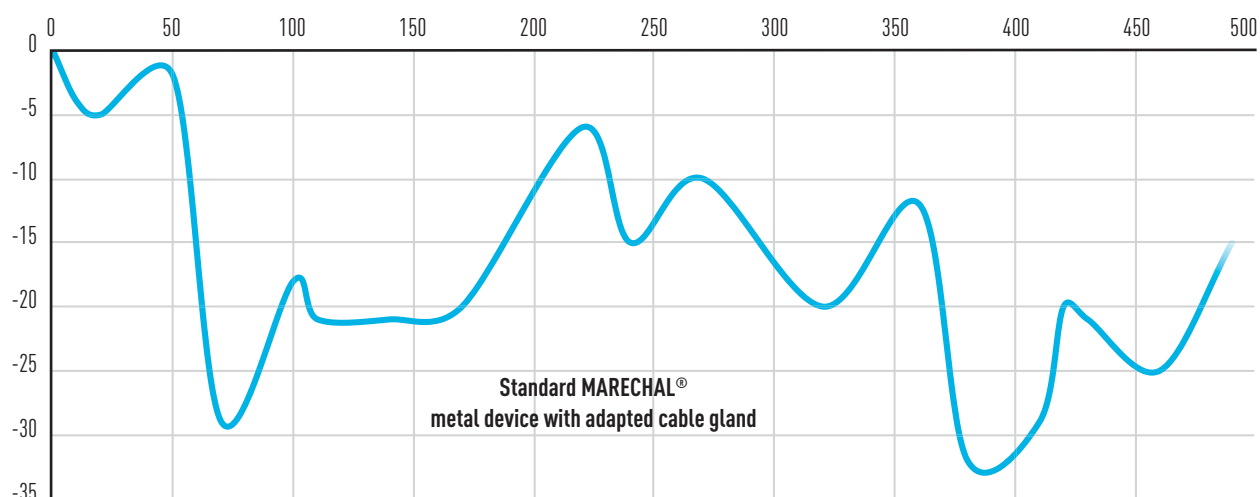
The performances of this solution were measured by the Laboratoire National d'Essais (LNE - France) based on the requirements of standard ISO 11452-4.

The resulting values according to the considered frequencies are as follows:

- 0 Hz to 20 kHz (range of disturbances generated by variable speed drives): negligible input signal power losses,
- 20 kHz to 500 MHz: input signal power losses between - 2 dB and -33 dB.

The solution developed by MARECHAL ELECTRIC does not negatively impact upon the declared levels of sealing, mechanical or corrosion resistance.

SHIELDING CONTINUITY EFFICIENCY OF MARECHAL® CONNECTED DEVICES



Losses of incoming signal (dB)



Available ranges:

DS6 - DS9 - DS2 - DS4 - DSP400 - DSP1250 - DN9C - PN - PN7C - DN20C - PN12C - DS7C3 - DS7C6 - DXA1 - DX range - PXN12C - DXN25C - DXN37C



OPTIONS SUFFIXES

MAIN OPTION COMBINATION SUFFIXES

Suffix to be added to the 7 digits of standard product references.

SOCKET-OUTLET SUFFIX

OPTION CHOICE						APPLICABLE RANGE							
Locking	180° Opening lid	Self returning lid	2 aux.	Self ejection*	Ejection latch*	PN	DSN1 DSN3 DSN6	DS1 DS3	DS6 POLY	DS6 METAL	DS9 POLY	DS9 METAL	DS2
•						843	843	843	843	843	843	843	843
	•					10							
		•				R	R	R	R	R	R	R	R
			•				972	972	972	972	262	262	972
•						841							
•		•				858	858	858	858	858	858	858	858
•		•	•				977	977	977	977	662	662	977
•			•				372	372	372	372	213	213	372
•		•				514							
	•	•				18							
		•	•				960	960	960	960	267	267	960
		•	•	•			853	853	853	853		**	
		•	•	•	•		973	973	973	973		**	
		•		•			352	352	352	352		**	**
		•		•	•		354	354	354	354			

PLUG SUFFIX

OPTION CHOICE			APPLICABLE RANGE									
Locking	2 aux.	Self ejection*	PN	DSN1	DSN3 DSN6	DS1 DS3	DS6 POLY	DS6 METAL	DS9 POLY	DS9 METAL	DS2	
•				843	843	843	843	843	843	843	843	
	•				972	972	972	972	262	262	972	
		•								**	**	
•	•					372	372	372	213	213	372	
	•	•								**	**	

* See chapter related to mechanical self-ejection in page 192 for more details.

** Contact us.



CABLE GLANDS



Gray/black polyamide cable glands with flat gaskets (without locknut)

Cable entry (E)	Cable outer Ø	Thread length (H)	Reference	
			Gray	Black
M16	2,5-8 mm	8 mm	9PEM16POLY+J	/
M16	4-8 mm	10 mm	/	9PEM16POLY-N
M20	5-12 mm	10 mm	9PEM20POLY+J	9PEM20POLY-N
M25	9-18 mm	10 mm	9PEM25POLY+J	9PEM25POLY-N
M32	14-25 mm	15 mm	9PEM32POLY+J	9PEM32POLY-N
M40	18-32 mm	16 mm	9PEM40POLY+J	9PEM40POLY-N
M50	24-38 mm*	16 mm	9PEM50POLY+J	9PEM50POLY-N
M63	35-48 mm	12 mm	9PEM63POLY+J	9PEM63POLY-N

* 17-38 mm the black cable glands.

Additional accessory

Plastic locknut

9ECM16POLY

9ECM16POLY

9ECM20POLY

9ECM25POLY

9ECM32POLY

9ECM40POLY

9ECM50POLY

9ECM63POLY

Metal (nickel plated brass) cable glands with O-rings (without locknut)

Cable entry (E)	Cable outer Ø	Thread length (H)	Reference
M16	5-9 mm	5 mm	9PEM16METAL+J
M20	7-13 mm	6 mm	9PEM20METAL+J
M25	8-16 mm	7 mm	9PEM25METAL+J
M32	15-24 mm	8,5 mm	9PEM32METAL+J
M40	22-32 mm	9 mm	9PEM40METAL+J
M50	34-44 mm	9 mm	9PEM50METAL+J
M63	35-48 mm	10 mm	9PEM63METAL+J

Additional accessory

Metal locknut

9ECM16MET

9ECM20MET

9ECM25MET

9ECM32MET

9ECM40MET

9ECM50MET

9ECM63MET

EMC metal cable glands with O-rings (without locknut)

Cable entry (E)	Cable outer Ø	Thread length (H)	Reference
M16	5-9 mm	12 mm	9PEM16EMC
M20	7-12 mm	12 mm	9PEM20EMC
M25	9-16 mm	12 mm	9PEM25EMC
M32	11-21 mm	15 mm	9PEM32EMC
M40	19-28 mm	15 mm	9PEM40EMC
M50	27-35 mm	15 mm	9PEM50EMC
M63	34-45 mm	15 mm	9PEM63EMC

Additional accessory

Metal locknut

9ECM16MET

9ECM20MET

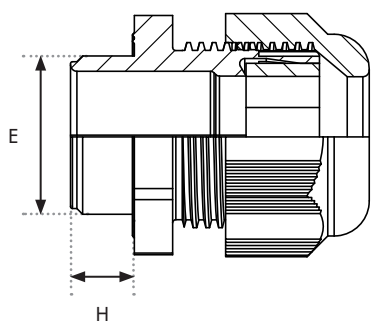
9ECM25MET

9ECM32MET

9ECM40MET

9ECM50MET

9ECM63MET



ATEX polyamide cable glands with O-rings (without locknut)

Cable entry (E)	Cable outer Ø	Thread length (H)	Reference
M16	5-10 mm	15 mm	9PEM16EX
M20	10-14 mm	15 mm	9PEM20EX
M25	12-18 mm	15 mm	9PEM25EX
M32	16-25 mm	15 mm	9PEM32EX
M40	22-32 mm	16 mm	9PEM40EX
M50	28-38 mm	16 mm	9PEM50EX
M63	40-48 mm	16 mm	9PEM63EX

Additional accessory

Metal locknut

9ECM16MET

9ECM20MET

9ECM25MET

9ECM32MET

9ECM40MET

9ECM50MET

9ECM63MET

ATEX/ATEX-EMC metal cable glands with O-rings (without locknut)

Cable entry (E)	Cable outer Ø	Thread length (H)	Reference	
			ATEX	ATEX-EMC
M16	5-9 mm	5 mm	9PEM16EXMET+J	9PEM16EMCEX
M20	8-13 mm	6 mm	9PEM20EXMET+J	9PEM20EMCEX
M25	9-16 mm	7 mm	9PEM25EXMET+J	9PEM25EMCEX
M32	12-21 mm	8 mm	9PEM32EXMET+J	9PEM32EMCEX
M40	16-27 mm	8 mm	9PEM40EXMET+J	9PEM40EMCEX
M50	23-35 mm	9 mm	9PEM50EXMET+J	9PEM50EMCEX
M63	36-48 mm	10 mm	9PEM63EXMET+J	9PEM63EMCEX

Additional accessory

Metal locknut

9ECM16MET

9ECM20MET

9ECM25MET

9ECM32MET

9ECM40MET

9ECM50MET

9ECM63MET

ATEX metal cable glands (with grounding) + O-rings* (without earth tag, without locknut)

Cable entry (E)	Cable outer Ø	Thread length (H)	Reference
M16	6-8 mm	13 mm	9PEM16CMM1EX
M20	8-10 mm	13 mm	9PEM20CMM1EX
M20	10-12 mm	13 mm	9PEM20CMM1EX1
M25	12-14 mm	14 mm	9PEM25CMM1EX
M32	15-18 mm	14,5 mm	9PEM32CMM1EX1
M32	18-24 mm	14,5 mm	9PEM32CMM1EX
M40	18-24 mm	14,5 mm	9PEM40CMM1EX

Additional accessory

Metal locknut

With earth tag + metal locknut

9ECM16MET 9BRIDEM16EXEC

9ECM20MET 9BRIDEM20EXEC

9ECM20MET 9BRIDEM20EXEC

9ECM25MET 9BRIDEM25EXEC

9ECM32MET 9BRIDEM32EXEC

9ECM32MET 9BRIDEM32EXEC

9ECM40MET 9BRIDEM40EXEC

*Contact us for cable glands for cable entries higher than M40.



REVERSED INTERIORS

In the PN series, the interior mouldings and contacts can be swapped:

- The plug interior moulding and contacts can be assembled in a socket-outlet casing.
- The socket-outlet moulding and contacts can be assembled in plug casing.

Suffix to be added to socket-outlet & inlet part number (P/N°):

OPTION	PN SERIES
Reversed interior mouldings and contacts	Socket-outlet & inlet P/N° + 001

As the plug top housing becomes the live power side it is supplied with a protective cap as standard (01NA426).



Some of the products of our multicontacts range exist with reversed interior and contacts, please contact us.

PHASE-SEQUENCE INDICATOR

The phase-sequence indicator is an accessory that provides a simple way to test if the phase sequence is correct, and the rotation direction of AC motors, from 250 to 690 V AC.

The accessory comprises either a plug fitted with a handle with LEDs which is to be mated with the socket-outlet which phase sequence is to be tested or, a plug connected with a cable to a phase sequence indicator.



Please contact us for part numbers



VISUAL STATUS-INDICATORS

Our devices can be fitted with LEDs indicating the presence of voltage.

The LEDs are fitted on handles as follows:

- Voltage 24 V AC Ø 8 mm yellow LED
- Voltage 240 V AC Ø 8 mm red LED
- Voltage 400 V AC Ø 8 mm red LED

Suffix to be added to handles part numbers (P/N°):

HANDLES*	DSN1 - DSN3 - DSN6 - DS1 - DS3 - DS6 - PN
For 24 V	Standard P/N° + LY
For 240 V	Standard P/N° + LR
For 400 V	Standard P/N° + LR4

* IP level is not guaranteed.



INDUSTRIAL/ DOMESTIC ADAPTER

In order to allow the connection of an appliance fitted with a domestic plug to an industrial type socket-outlet, MARECHAL ELECTRIC has developed an adapter which features a MARECHAL® single phase industrial plug top at one end and a 10/16 A - 230 V domestic socket at the other end. The adapter includes a 6 x 32 mm 10/16 A fuse-link.



Part numbers (P/N°) for these products:

TYPE		DSN1	DSN3	DS1	PN
France	Poly	6118015D11	6138015D11	3118015D11	01N8015D11
	Metal	-	-	-	09N8015D11
United Kingdom	Poly	6118015D40	6138015D40	3118015D40	01N8015D40
	Metal	-	-	-	09N8015D40
Germany	Poly	6118015D30	6138015D30	3118015D30	01N8015D30
	Metal	-	-	-	09N8015D30
Italy	Poly	6118015D06	6138015D06	3118015D06	01N8015D06
	Metal	-	-	-	09N8015D06

Adaptation device without domestic socket is also available. Contact us for the references.



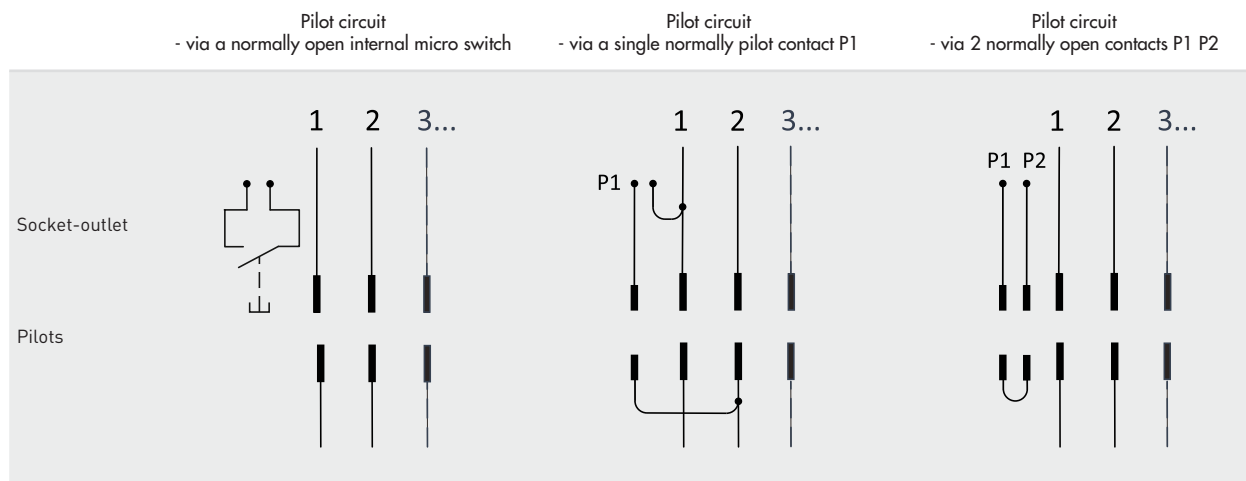
PILOTS & AUXILIARIES

PILOTS

A pilot circuit allows the safe remote control of a contactor by signalling confirmation that the plug is correctly inserted into the socket-outlet. The circuit must be designed so that the contactor coil cannot be energised (closing the contactor) until all downstream connections between socket-outlets (connector) and plug (appliance inlet) are correctly made - ie closed.

The contactor controls the power supply of the socket-outlet by:

- a micro switch inside the socket outlet or inlet only, which is mechanically activated when the plug is connected,
- a contact or pair of normally open contacts on the male and female sides which close last and open first used as part of the external control circuit.



Some of our products feature pilot contacts as standard.

SP series



PF series

Up to 6 auxiliaries (and 2 pilot contacts)



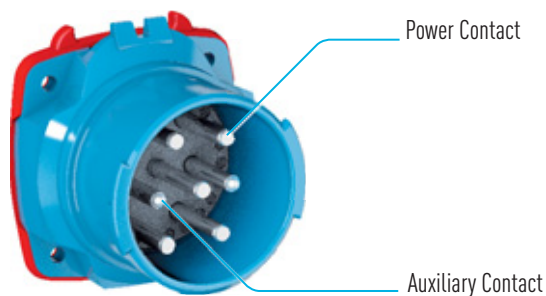
DS4 series





AUXILIARY CONTACTS

Auxiliary contacts on the male and female sides are separate from the main power contacts. These contacts can be used for signal and control requirements.



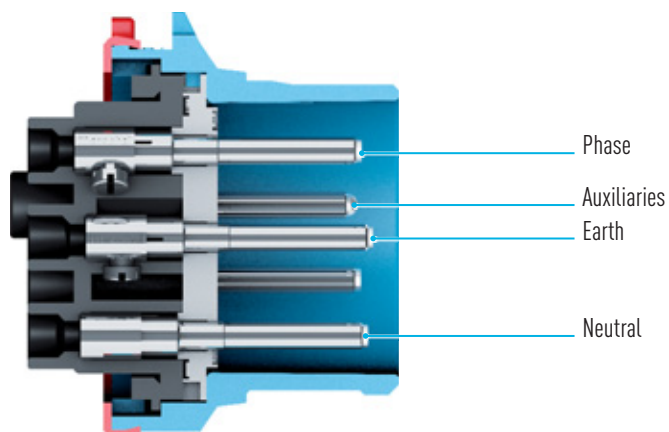
For suffix references to add auxiliary contacts to the socket outlet and inlet part numbers please refer to the option suffixes section.

SEQUENCING BETWEEN AUXILIARY CONTACTS AND POWER CONTACTS

To ensure optimum performance, DECONTACTOR™ contacts are sequenced in the following order on insertion of the plug:

In order:

- 1 the earth contact closes first,
- 2 then the neutral contact,
- 3 then the phase contacts,
- 4 and last the auxiliary contacts which can be used as pilot contacts.



This design ensures no arcing at connection and disconnection.

SPARE PARTS



PLUG		PN POLY	PN METAL
1	Plug interior	01NA010	09NA110
2	Locking ring	611A583	09NA583
3	Plug contact (P or N)	01NA011	01NA011
4	Color-coded voltage gasket	611AV26	611AV26
		611AB26	611AB26
		611AR26	611AR26
		611AN26	611AN26
5	Plug casing	01NA501	09NA501



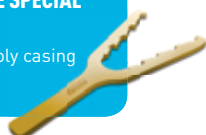
SOCKET		PN POLY	PN METAL
1	Socket Interior 3P+E	01NA020C3	09NA220C3
1	Socket Interior 1P+N+E	01NA020C5	09NA220C5
1	Socket Interior 3P+N+E	01NA020C7	09NA220C7
2	Locking ring	611A583	09NA583
3	Socket contact	01NA021	01NA021
4	Color-coded voltage gasket	611AV26	611AV26
		611AB26	611AB26
		611AR26	611AR26
		611AN26	611AN26
5	Socket Lid Gasket	01NA524*	09NA524*
6	Casing gasket	01NA074	01NA074

*Add suffix cover option (opening 180 °, self-returning, etc.).




REMEMBER TO ORDER THE SPECIAL REMOVAL KEY

Yellow disassembly key for poly casing
31-A500-1

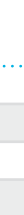


CONTACT US FOR SPARE PARTS.



PLUG		DSN1	DSN3	DSN6	
1	Plug interior	611A010	311A010	313A010	
2	Locking ring	611A583	311A583	616A583	
3	Plug contact	611A011	311A011	616A011	
4	Color-coded voltage gasket		611AB26	613AB26	313AB26
			611AR26	613AR26	313AR26
			611AV26	613AV26	313AV26
			611AN26	613AN26	313AN26
5	Plug casing	611A501	613A501	616A501	



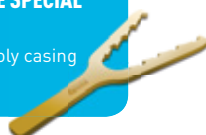
SOCKET		DSN1	DSN3	DSN6	
1	Socket Interior	611A020	311A020	313A020	
2	Locking ring	611A583	311A583	616A583	
3	Socket contact	611A021	311A021	616A021	
4	Color-coded voltage gasket		611AB26	613AB26	313AB26
			611AR26	613AR26	313AR26
			611AV26	613AV26	313AV26
			611AN26	613AN26	313AN26
5	Socket Casing	611A524*	613A524*	616A524*	
6	Casing gasket	611A074	613A074	616A074	

*Add suffix cover option (opening 180 °, self-returning, etc.).



REMEMBER TO ORDER THE SPECIAL REMOVAL KEY

Yellow disassembly key for poly casing
31-A500-1



CONTACT US FOR SPARE PARTS.

SPARE PARTS



2





1

3

1

4

5

PLUG		DS1	DS3	DS6	DS9	DS2	DS4	
1	Plug interior	311A010	313A010	316A010	619A010	-	-	
1	Plug interior metal + E	-	-	396A110	699A110	392A110	394A110	
2	Locking ring	311A583	616A583	316A583	319A583	-	-	
2	Locking ring metal	-	-	396A583	399A583	392A583	394A583	
3	Plug contact (P or N)	311A011	616A011	316A011	619A011	392A011	394A011	
4	Color-coded voltage gasket		311AB26	313AB26	316AB26	319AB26	392AB26	-
		311AR26	313AR26	316AR26	319AR26	392AR26	-	
		311AV26	313AV26	-	-	-	-	
		311AN26	313AN26	316AN26	319AN26	392AN26	-	
5	Plug casing poly	311A501	313A501	316A501	619A501	-	-	
5	Plug casing metal	-	-	396A501	399A501	392A501	394A501	




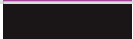


REMEMBER TO ORDER THE SPECIAL REMOVAL KEY

Yellow disassembly key for poly casing
31-A500-1



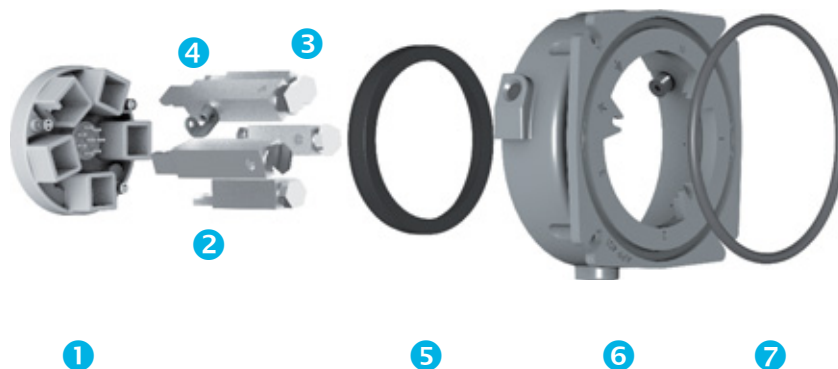


SOCKET	DS1	DS3	DS6	DS9	DS2	DS4	
1 Socket Interior poly	311A020	313A020	316A020	619A020	-	-	
1 Socket Interior metal +E			396A220	699A220	392A220	394A220	
2 Locking ring	311A583	616A583	316A583	319A583	-	-	
2 Locking ring metal	-	-	396A583	399A583	392A583	394A583	
3 Socket contact (P or N)	311A021	616A021	316A021	619A021	392A021	394A021	
4 Color-coded voltage gasket		311AB26	313AB26	316AB26	319AB26	392AB26	-
		311AR26	313AR26	316AR26	319AR26	392AR26	-
		311AV26	313AV26	-	-	-	-
		311AN26	313AN26	316AN26	319AN26	392AN26	-
5 GRP socket casing	311A524*	313A524*	316A524*	619A524*	-	-	
5 Metal socket casing	-	-	396A524*	399A524*	392A524*	394A524*	
6 Lid gasket	311A563 (lid)	313A563 (lid)	396A074 (casing)	399A074 (metal) 619A074 (poly) (casing)	392A074 (casing)	394A074 (casing)	

*Add suffix cover option (opening 180°, self-returning, etc.).

CONTACT US FOR SPARE PARTS.

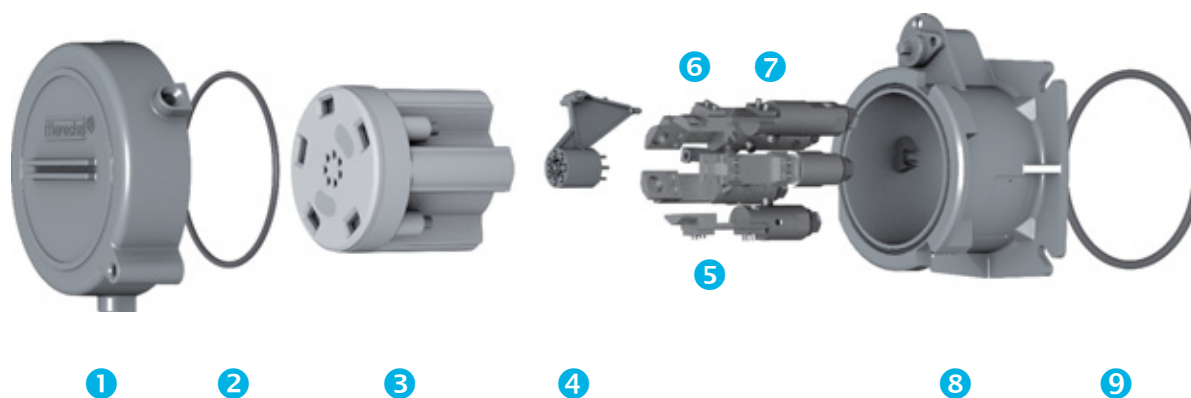
SPARE PARTS



PLUG

PFQ

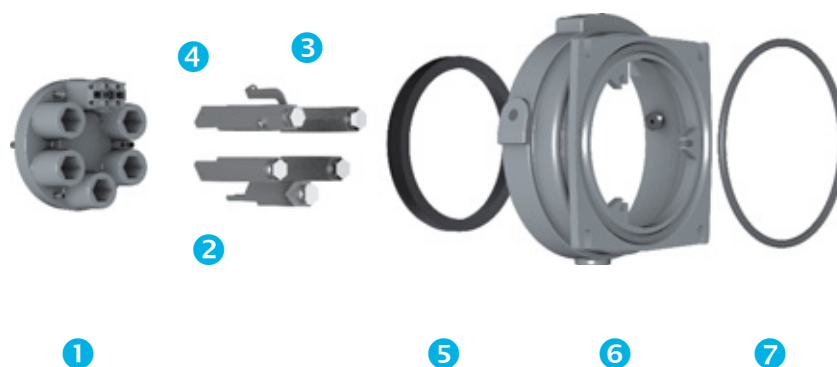
1	Plug interior (with auxiliary contacts)	473A310
2	Phase contact	474A011
3	Neutral contact	474A011L
4	Earth contact	474A019
5	Internal gasket	473A074
6	Plug casing (with internal and external gaskets)	473A014
7	External gasket	474A026



SOCKET

PFQ

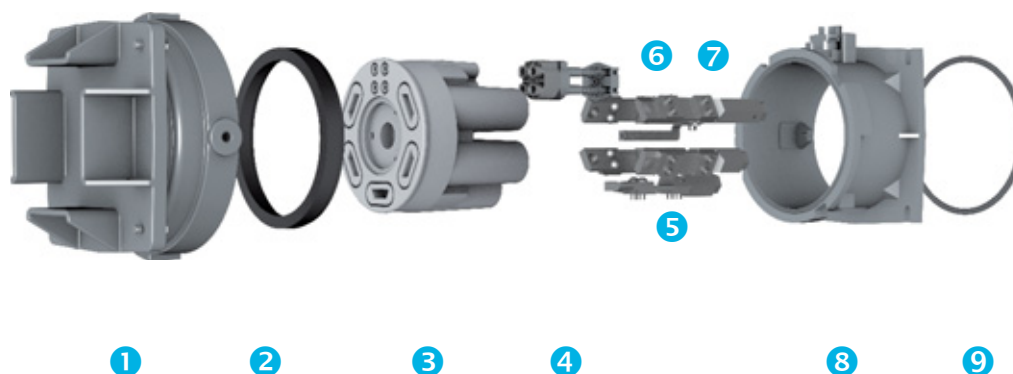
1	Cap (with gasket)	474A925
2	Cap gasket	474A563
3	Socket interior (with auxiliaries)	473A320
4	Insulator block for Auxs and Pilots (includes contacts)	473A229
5	Phase contact	474A021
6	Neutral contact	474A021L
7	Earth contact	474A029
8	Socket casing (with gasket and cap)	473A024
9	External gasket	474A026



PLUG

PFC

1	Plug interior (with auxiliary contacts)	496A310
2	Phase contact	496A011
3	Neutral contact	496A011N
4	Earth contact	496A019
5	Internal gasket	494A074
6	Plug casing (with internal and external gaskets)	494A014
7	External gasket	494A026



SOCKET

PFC

1	Socket cap (with gasket)	496A925
2	Cap gasket	494A074
3	Socket interior (with auxiliary contacts)	496A320
4	Insulator block for Auxs and Pilots (includes contacts)	494A229
5	Phase contact	496A021
6	Neutral contact	496A021N
7	Earth contact	496A029
8	Socket casing (with gasket and cap)	494A024
9	External gasket	494A026

WEBSITE

- Configure your product specification with our online configurator: marechal.com/configurator
- Retrieve your business contacts.
- Download our documentation related to your field of activity.
- Download our product data sheets.
- Follow current events and news.

NON CONTRACTUAL DOCUMENT AND PICTURES

All the indications appearing in this catalogue are indicative and could not constitute a commitment on our part.

We reserve the right to alter specifications of our products without any prior notice in our efforts to continuously improve our products features. Please note: The most up to date versions of our products can be found on our website marechal.com.

FIND ALL INFORMATION
ON OUR WEBSITE:
marechal.com

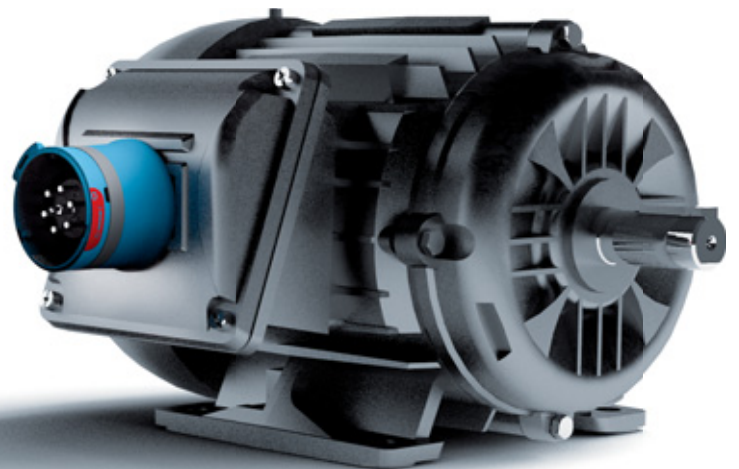




EVO

THE FIRST SEPARABLE SWITCH- DISCONNECTOR

- Complies with the low voltage directive
- Up to 40 A and 18,5 kW
 - Up to 6 poles + earth
- IP66/IP67/IP69 automatic waterproofing in ON and OFF positions

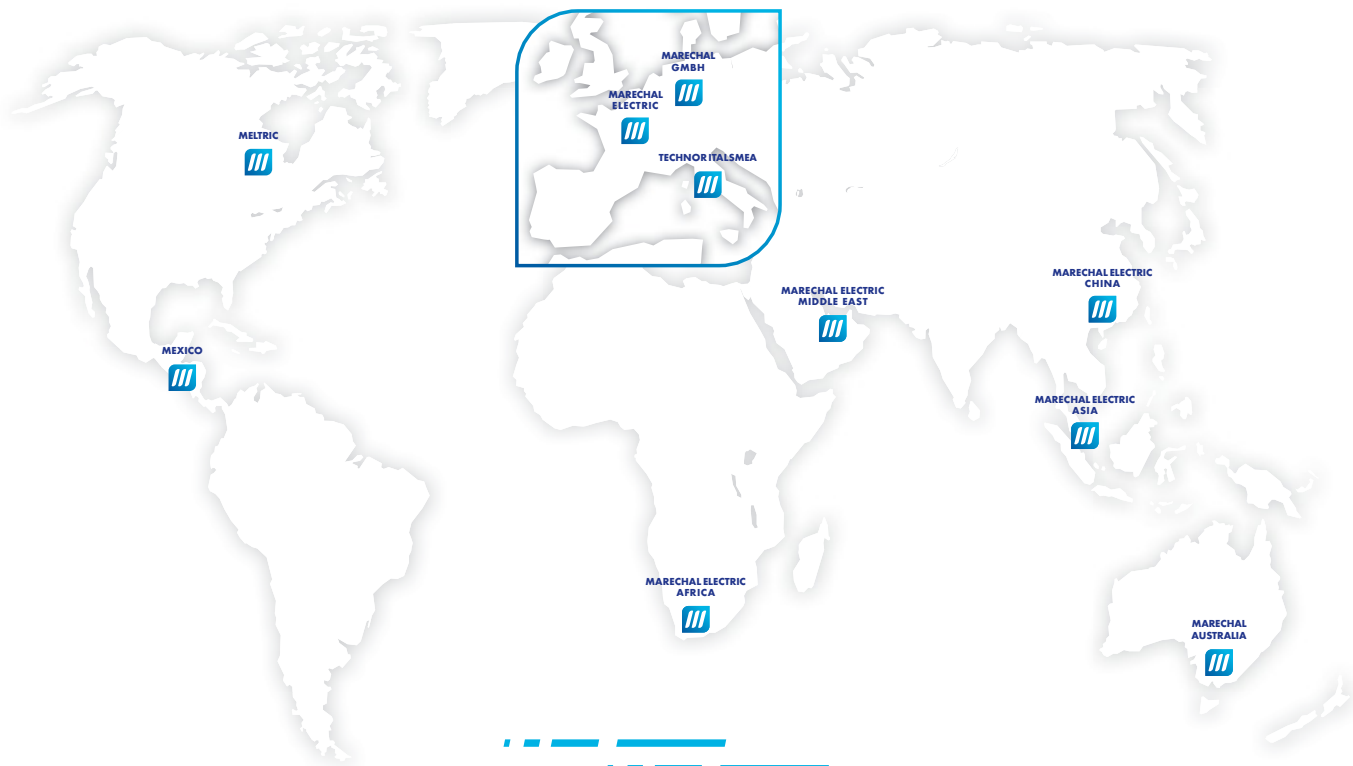


marechal.com

 **MARECHAL**
ELECTRIC

BEYOND CONNECTIONS

WORLD PRESENCE



MARECHAL ELECTRIC S.A.S. (Head Office)

5 avenue du chemin de Presles
94410 Saint-Maurice, FRANCE
Phone : +33 (0)1 45 11 60 00
e-mail: contact@marechal.com

Africa SADC area

MARECHAL ELECTRIC AFRICA (PTY) LTD.
PO Box 13875 Witfield 1467
Unit A1 Harvard Lane
Aero Star Business Park
Jet Park Road, Jet Park, South Africa
Tel.: +27 11 894 7226/7/8
e-mail: sales.za@marechal.com

Asia

MARECHAL ELECTRIC Asia Pte Ltd
9 Tagore Lane
#01-05 9@Tagore
Singapore 787472
Tel. : +65 6554 2722
e-mail: sales.asia@marechal.com

Australia

MARECHAL AUSTRALIA PTY LTD
20 A Technology Circuit
HALLAM VIC 3803
Australia
Tel. : +61 (0)38786 2500
e-mail : sales@marechal.com.au

China

MARECHAL ELECTRIC (China) Co., Ltd
11 North Xiangshui Road,
West Dayawan District,
Huizhou PRC
Tel.: +86 (0)752-5319536
e-mail: sales.cn@marechal.com

Germany/Austria/Switzerland/Eastern Europe/Russia

MARECHAL GmbH
Im Lossenfeld 8
D-77731 Willstätt-Sand
Germany
Tel.: +49 (0)7852/91 96-0
e-mail: info.de@marechal.com

Middle East

MARECHAL ELECTRIC Middle East
Trading LLC
80 Street, Shed-01B ALFA3 Complex
Jebel Ali Industrial 1 - Dubai, UAE
Tel. : +971 4 226 8400418
e-mail : sales.me@marechal.com

USA/Canada

MELTRIC Corporation
4765 W. Oakwood Park Drive
Franklin WI 53132, USA
Tel.: +1 414 433 2700
e-mail: mail@meltric.com

Mexico

MELTRIC Corporation
Insurgente Sur 863 – Piso 7
Napoles, Benito Juarez,
D. F. Mexico, C.P 03810
Tel.: +52 55 50056752
e-mail : mail@meltric.com

TECHNOR ITALSMEA S.p.A.

Via Italia 33,
20060 Gessate (Milano),
Italia
Tel. : +39 02 95 00 151
e-mail : sales@italismea.com

For any other country or area, please contact the head office.

marechal.com

 **MARECHAL**
ELECTRIC
MARECHAL® TECHNOR® MELTRIC®