



ConnectSafe

KCS INSTALLATION ENCLOSURES



Discover Katko's Installation Enclosures – the pinnacle of durability, versatility, and sustainability.

Crafted from polycarbonate, recycled ABS, or recycled plastic blend. With five sizes to choose from, they accommodate various electrical components and configurations.

Features:

- Available in PC / recycled ABS / recycled plastic blend (RP) & PC with transparent cover
- Quarter turn screws for stable & reliable sealing
- IP Class: 66 (PC) & 65 (ABS)
- PC enclosures: f1 tested: suitable for outdoor use with respect to exposure to ultraviolet light, water exposure and immersion in accordance with UL746C
- Single packaging includes all necessary items for basic use (screws, cover & bottom)
- Multiple installation methods.
- Available with baseplates and Din-rails

Certification and testing according to:

- IEC/EN 62208
- IEC/EN 61439-1
- IEC/EN 61439-4
- IEC/EN 60529
- IEC/EN 62262



KCS ENCLOSURES

Item no	GTIN	Type	Material	Color	Height (mm)	Width (mm)	Depth (mm)	IP	IK (-25 °C)	IK (+35 °C)
32895	6419410328958	KCS996RP	Recycled plastic	Black	95	95	65	-	-	-
32896	6419410328965	KCS1397RP	Recycled plastic	Black	135	95	70	-	-	-
32897	6419410328972	KCS13137RP	Recycled plastic	Black	135	135	75	-	-	-
32898	6419410328989	KCS19139RP	Recycled plastic	Black	190	135	90	-	-	-
32899	6419410328996	KCS271910RP	Recycled plastic	Black	270	190	100	-	-	-
32751	6419410327517	KCS996PC	Polycarbonate	Grey	95	95	65	IP66	IK06	IK07
32752	6419410327524	KCS1397PC	Polycarbonate	Grey	135	95	70	IP66	IK06	IK07
32753	6419410327531	KCS13137PC	Polycarbonate	Grey	135	135	75	IP66	IK06	IK07
32754	6419410327548	KCS19139PC	Polycarbonate	Grey	190	135	90	IP66	IK06	IK07
24996	6419410249963	KCS271910PC	Polycarbonate	Grey	270	190	100	IP66	IK08	IK08
32755	6419410327555	KCS996PCT	Polycarbonate	Grey, transparent cover	95	95	65	IP66	IK06	IK06
32756	6419410327562	KCS1397PCT	Polycarbonate	Grey, transparent cover	135	95	70	IP66	IK06	IK06
32757	6419410327579	KCS13137PCT	Polycarbonate	Grey, transparent cover	135	135	75	IP66	IK06	IK06
32758	6419410327586	KCS19139PCT	Polycarbonate	Grey, transparent cover	190	135	90	IP66	IK06	IK06
32759	6419410327593	KCS271910PCT	Polycarbonate	Grey, transparent cover	270	190	100	IP66	IK07	IK07
32779	6419410327791	KCS996ABS	ABS, recycled	Grey	95	95	65	IP65	IK06	IK06
32885	6419410328859	KCS1397ABS	ABS, recycled	Grey	135	95	70	IP65	IK06	IK06
32886	6419410328866	KCS13137ABS	ABS, recycled	Grey	135	135	75	IP65	IK06	IK06
32887	6419410328873	KCS19139ABS	ABS, recycled	Grey	190	135	90	IP65	IK06	IK06
32888	6419410328880	KCS271910ABS	ABS, recycled	Grey	270	190	100	IP65	IK07	IK08

KCS REPLACEMENT PARTS

Item no	GTIN	Type	Material	Color	Description	For
32900	6419410329009	KCS QT RP SET	Recycled plastic	Black	Replacement quarter-turn screws, 4 pcs	Recycled plastic
27074	6419410270745	KCS QT PC SET	PC	Grey	Replacement quarter-turn screws, 4 pcs	Polycarbonate
32889	6419410328897	KCS QT ABS SET	ABS, recycled	Grey	Replacement quarter-turn screws, 4 pcs	ABS, recycled

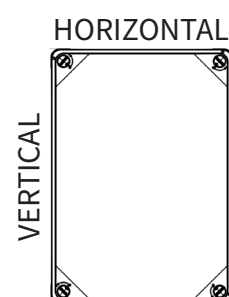
Replacement screw-sets are available for all material types. Boxes are always supplied with a set of screws.

KCS DIN RAILS

Item no	GTIN	Type	DIN-type	KCS996	KCS1397	KCS13137	KCS19139	KCS271910
33085	6419410330852	KCS DIN RAIL 83	DIN35	H/V	H			
33086	6419410330869	KCS DIN RAIL 122	DIN35		V	H/V	H	
33087	6419410330876	KCS DIN RAIL 175	DIN35				V	H
33088	6419410330883	KCS DIN RAIL 255	DIN35					V

H=Horizontal (short), V=Vertical (long)

DIN 35 type rails are available as horizontal or vertical for all sizes. Please refer to the table and reference layout to select the correct type. Mounting screws are always supplied with the enclosure.



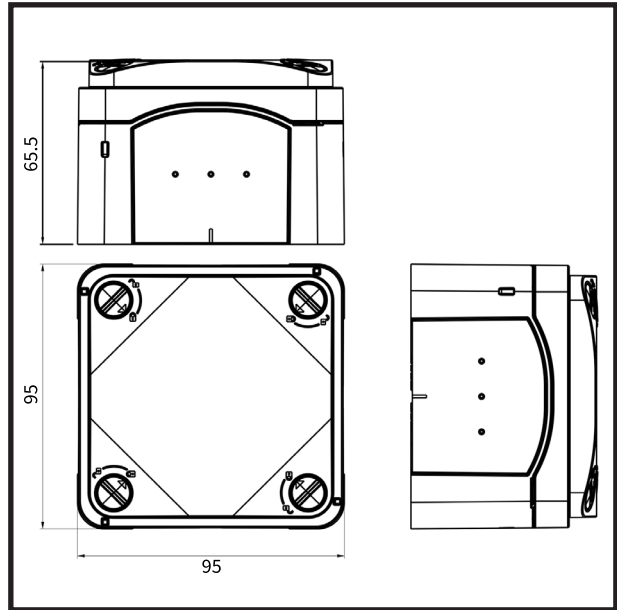
KCS MOUNTING PLATES

Item no	GTIN	Type	For
33089	6419410330890	KCS996 MOUNTING PLATE	KCS996
33091	6419410330913	KCS1397 MOUNTING PLATE	KCS1397
33092	6419410330920	KCS13137 MOUNTING PLATE	KCS13137
33093	6419410330937	KCS19139 MOUNTING PLATE	KCS19139
33094	6419410330944	KCS271910 MOUNTING PLATE	KCS271910

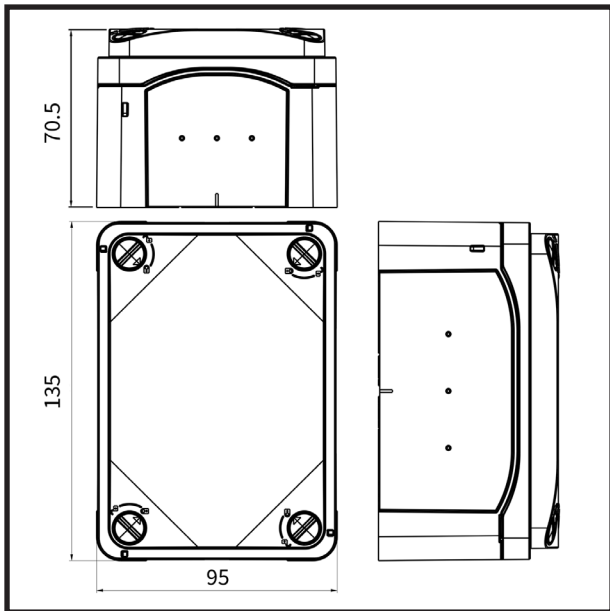
Mounting plates are available for all sizes and are ready to be installed out of the box. Mounting screws are always supplied with the enclosure.

DIMENSIONAL DRAWINGS

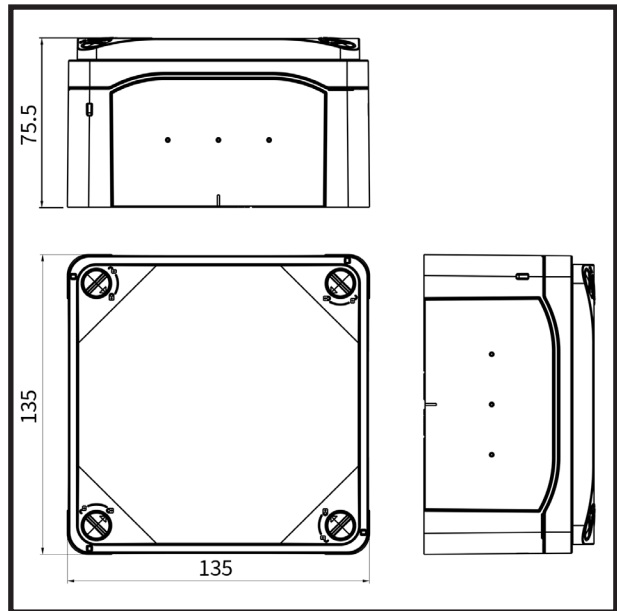
KCS996



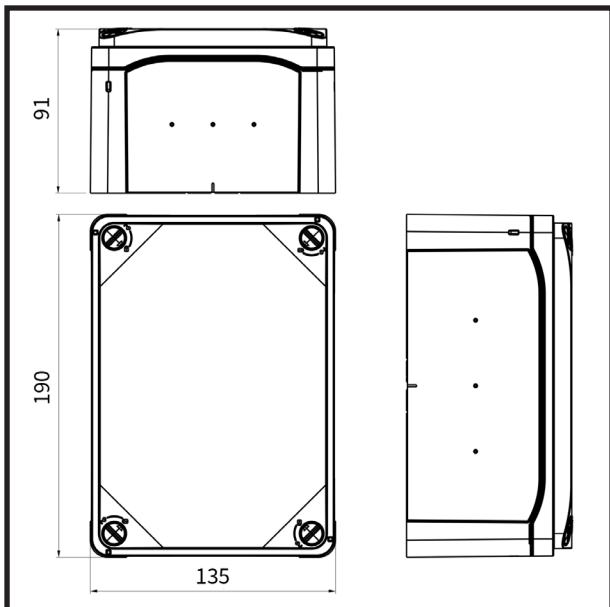
KCS1397



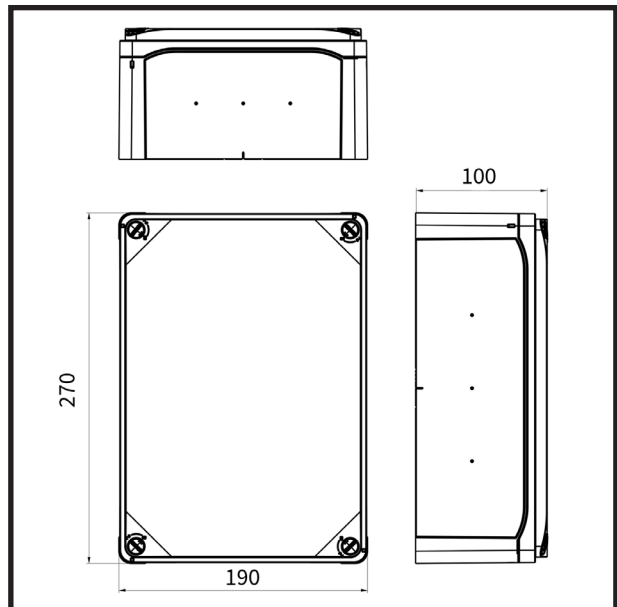
KCS13137



KCS19139



KCS271910





ConnectSafe

Katko is a Finnish family business specialising in safety switches, load break switches, fused switches and related accessories. With more than 70 years of experience, our product selection is among the most extensive in the world. It includes special products for demanding operating environments and critical locations.

KATKO Oy

Ruosilantie 2

00390 Helsinki, Finland

E-mail: info@katko.com

Tel: +358 (0)9 849 600