

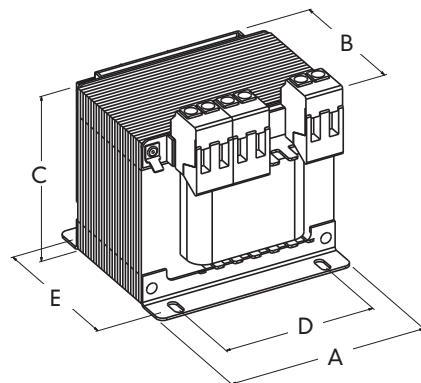
www.meth.it

SINGLE-PHASE ISOLATING AND SAFETY TRANSFORMERS – CLASS F

ONE SIDE OUTPUTS

Single-phase control, isolating and safety transformers designed for **good performance and cost-effectiveness.**

They are completely impregnated with resin and have faston earth connection, 4 mm² terminal blocks and outputs in one side.



TECHNICAL DATA

CODE	POWER VA	DIMENSIONS (mm)					WEIGHT Kg	NO-LOAD LOSSES W	LOAD LOSSES W	EFF. %	U _{cc} %	ΔV %	INRUSH CURRENT I _e =x I _n
		A	B	C	D DIN _(IT)	E DIN _(IT)							
T1B-50	50	78	75	82	56 ₍₅₆₎	43 ₍₄₁₎	1,1	2,5	10,5	80	16	16	16
T1B-75	75	78	90	82	56 ₍₅₆₎	58 ₍₅₆₎	1,35	3,5	10,5	85	11	12	20
T1B-100	100	87	81	91	64 ₍₇₀₎	54 ₍₄₇₎	1,6	3,8	17	82,8	14	14	20
T1B-150	150	98	87	100	84 ₍₈₀₎	62 ₍₅₅₎	2,2	4,3	28	82	15	15	22
T1B-200	200	98	100	100	84 ₍₈₀₎	75 ₍₆₈₎	2,6	5,8	31	84	13	13	22
T1B-250	250	98	113	100	84 ₍₈₀₎	90 ₍₈₃₎	3,1	7,5	28	87	10	10	22
T1B-320	320	122	92	115	90 ₍₁₀₀₎	70 ₍₇₂₎	3,6	7,6	36	88	10	10	22
T1B-400	400	122	102	115	90 ₍₁₀₀₎	80 ₍₈₂₎	4,4	9,5	41	88	9,3	9,3	22
T1B-500	500	122	112	115	90 ₍₁₀₀₎	90 ₍₉₂₎	5,7	10	44	90	8,3	8,3	25
T1B-630	630	153	116	140	120 ₍₁₂₅₎	90 ₍₉₃₎	7,2	13	41	92	5,2	5,8	25
T1B-800	800	153	126	140	120 ₍₁₂₅₎	100 ₍₁₀₃₎	8,8	15	46	92,9	5,1	5,5	25
T1B-1000	1000	153	136	140	120 ₍₁₂₅₎	110 ₍₁₁₃₎	9,6	18	65	92,4	5,1	5,8	25

METH s.a.s. reserves the right to make changes without notice

TECHNICAL SPECIFICATIONS

Primary voltage: 230-400V (and others)
 Secondary voltage: 24V (and others)
 Frequency: 50-60 Hz
 Continuous service
 Dry-type transformers with natural cooling
 Protection degree: IP00
 Insulation class: F with $t_a=40^\circ\text{C}$
 Insulation class: B with $t_a=25^\circ\text{C}$

Connections: terminal blocks with protection degree IP20
 Materials insulation class: F/H
 Earth-faston terminal
 Low losses magnetic core
 Insulation level: 4kV
 DIN footprint
Upon request:
 DIN rail brackets