

Electrical Connection

Pre-Wired

Cable: PVC 5 x 0,75 mm²

Length: 1 m.

(Different cables or lengths, page 13)



Operating Head Type

G11 - Plain plunger

G1• - Roller plunger

G12: metal roller
G13: nylon roller

G1• - Cross roller plunger

G14: metal roller
G15: nylon roller

Conformity / \ominus (N.C. contact with positive opening operation)

Max actuation speed [m/s]

Min. force [N] or torque [Nm]: actuation / positive opening operation

0,5
15 / 30

0,1
10 / 30

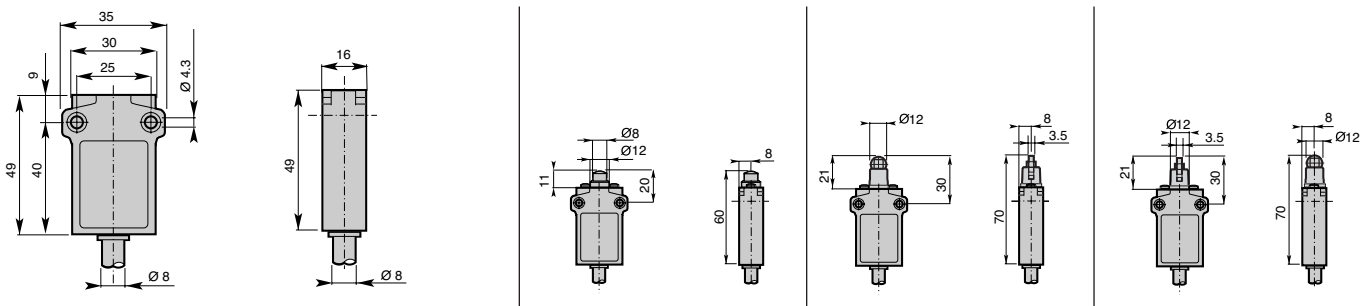
0,1
10 / 30

Additional Technical Datas

Z	Order Code	EM2G11Z	EM2G1•Z	EM2G1•Z
Snap Action Contacts (1NO + 1NC)	Operation Diagram			
X	Order Code	EM2G11X	EM2G1•X	EM2G1•X
Non overlapping Slow Action Contacts (1NO + 1NC)	Operation Diagram			

Weight (packing per unit)	[kg]	0,180	0,185	0,185
----------------------------------	-------------	--------------	--------------	--------------

Dimensions (in mm)





G16 - Plain plunger with dust protection cup

0,5
15 / 30



G21 - Plain plunger with fixing nuts

0,5
15 / 30



G2• - Roller plunger with fixing nuts

G22: Metal roller
G23: Nylon roller

0,1
10 / 30



G2• - Cross roller plunger with fixing nuts

G24: metal roller
G25: nylon roller

0,1
10 / 30



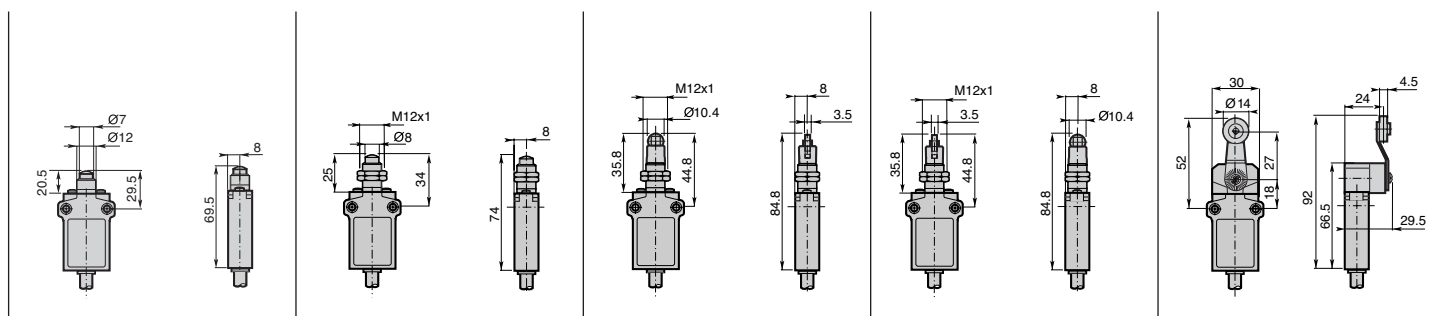
G4• - Ø 14 roller lever

G41: nylon roller
G42: metal roller
G43: ball bearing

1,5
0,08 / 0,28

<p>EM2G16Z</p>	<p>EM2G21Z</p>	<p>EM2G2•Z</p>	<p>EM2G2•Z</p>	<p>EM2G4•Z</p>
<p>EM2G16X</p>	<p>EM2G21X</p>	<p>EM2G2•X</p>	<p>EM2G2•X</p>	<p>EM2G4•X</p>

0,185	0,195	0,200	0,200	0,230
--------------	--------------	--------------	--------------	--------------



Electrical Connection

Pre-Wired

Cable: PVC 5 x 0,75 mm²

Length: 1 m.

(Different cables or lengths, page 13)



Operating Head Type

G45 - Ø 18 nylon roller lever

G51 - Adjustable lever with Ø 18 nylon roller

G5100 - Adjustable toothed lever (step 2 mm) with Ø 18 nylon roller

Conformity / (N.C. contact with positive opening operation)

Max actuation speed [m/s]

Min. force [N] or torque [Nm]: actuation / positive opening operation

1,5
0,08 / 0,28

1,5
0,08 / 0,28

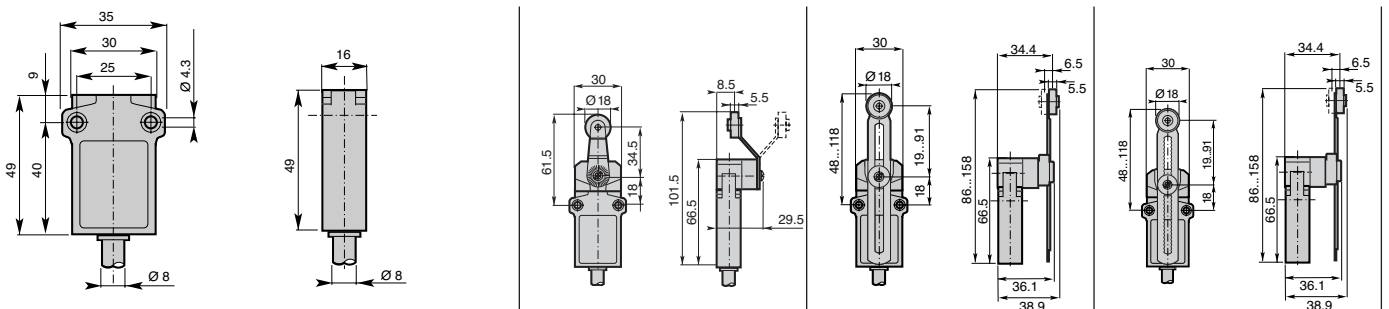
1,5
0,08 / 0,28

Additional Technical Datas

Z	Order Code	EM2G45Z	EM2G51Z	EM2G5100Z
Snap Action Contacts (1NO + 1NC)	Operation Diagram			
X	Order Code	EM2G45X	EM2G51X	EM2G5100X
Non overlapping Slow Action Contacts (1NO + 1NC)	Operation Diagram			

Weight (packing per unit)	[kg]	0,235	0,245	0,245
----------------------------------	-------------	--------------	--------------	--------------

Dimensions (in mm)





G61 - Nylon actuator with stainless steel spring

1,5
0,08 / -



G70 - Adjustable rod lever

G71: stainless steel rod Ø3
G72: fiberglass rod Ø3
G75: square steel rod 3x3

1,5
0,08 / 0,28



G70 - Adjustable Ø6 rod lever

G73: nylon rod
G74: fiberglass rod

1,5
0,08 / 0,28



G92: Multidirectional nylon actuator with stainless steel spring

1,0
0,10 / -



G93: Multidirectional actuator with stainless steel spring

1,0
0,10 / -

<p>EM2G61Z</p>	<p>EM2G70Z</p>	<p>EM2G70Z</p>	<p>EM2G92Z</p>	<p>EM2G93Z</p>
<p>EM2G61X</p>	<p>EM2G70X</p>	<p>EM2G70X</p>		

0,245	0,240	0,255	0,250	0,255