



PRODUCT CATALOGUE



SAFETY SWITCHES, LOAD BREAK SWITCHES, SWITCH FUSES, DISCONNECTORS, ISOLATORS, TERMINALS





CONTENTS

ENCLOSED SWITCHES

General Information	8
Technical Data for Safety Switches / Isolators 16-800 A	12
KEM Polycarbonate 10-630 A	14
KEM ABS 10-80 A	16
EMC 16-630 A	17
KET Sheet Steel 16-1600 A	18
KEA Aluminium 16-250 A	20
KER Stainless Steel 16-1600 A	22
KER Stainless Steel (R/RS) 16-160A	24
KER Stainless Steel IP69K 16-125A	26
KSM Side-operated 16-25A	28
Firerated Aluminium Enclosed 16-200 A	29
Side Operated Switches 16-40 A	30
ATEX Switches 16-160 A	32
Change-over Switches 16-160 A	34
Bypass Switch for Frequency Inverter 16-63 A	36
Motor Control Switches 16-40 A	37
Enclosed Switch Fuses 16-630 A	38

LOAD BREAK SWITCHES

General Information	39
Technical Data for KU / KUE / VKA / EVA 16-250 A	40
KU / VKA Rotary Switches 16-250 A	41
KUE / EVA Toggle Switches 16-250 A	44
Technical Data for VKE & KU 125-800 A	46
VKE Modular Switches 125-630 A	48
KU Rotary Switches 630-800 A	50

SWITCH FUSES

KKV Switch Fuses 16-32 A	52
Technical Data for KVKE Switch Fuses 20-630 A	50
KVKE Switch Fuses 20-630 A	54

PHOTOVOLTAICS/DC

	58
--	----

ACCESSORIES

Handles / Shafts / Terminal Covers	60
Auxiliary Contacts / Change-over Kits	63
Door Mounting Kits / Front Plates / Parallel Kits / Spreaders / Protective roofs / Earthing plates	66

UL-LISTED PRODUCTS

UL98-Listed Disconnect Switches 60-100A	69
UL98-Listed Enclosed Switches 60-100A	70
Polycarbonate Enclosed 16-150 A	71
Sheet Steel Enclosed 16-150 A	72
Aluminium Enclosed 16-125 A	73
Stainless Steel Enclosed 16-125 A	74
Stainless Steel Enclosed with angled top 16-125 A	75
EMC Protected Enclosed 16-150 A	76
KKV Switch Fuse 32 A	77
KU / VKA 16-150 A	78
KUE / EVA Toggle Switches 16-150 A	80
Accessories for UL Listed Products	81
UL 1059 Terminal Blocks	83

TERMINAL BLOCKS

	85
--	----

ENCLOSED TERMINAL BLOCKS

	88
--	----

CABLE CONNECTORS

	89
--	----

CABLE GLANDS

	94
--	----

CONDITIONS OF SALE

	99
--	----

DIMENSIONAL DRAWINGS OF ENCLOSURES

	100
--	-----



SWITCHES WITHOUT COMPROMISES.

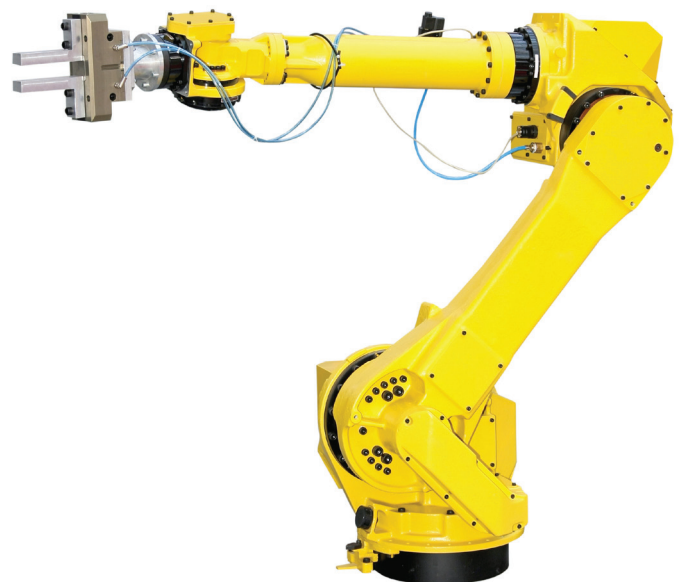


Katko is a Finnish family business specialising in safety switches, load break switches and fused switches with more than 70 years of experience. Not all safety and load break switches on the market come from specialised manufacturers by any means, and that is precisely why we are so proud of ours. We design and manufacture every product ourselves in our own factories. The challenging Finnish climate creates a basis for developing switches that work in all conditions across the globe. Switches without compromises. This is what we at Katko think, as did the generations before us.

ROBOTICS AND HANDWORK. THE BEST OF BOTH WORLDS.

We manufacture all of our safety switches, load break switches, fused switches and terminal blocks in our own production plants in Finland and Poland. A high level of automation is part of Katko's DNA that ensures a consistent quality level in our products. Katko's flexible and adaptive production philosophy even facilitates the manufacture of smaller batches in a competitive manner. Furthermore, we can provide our customers with more tailored products, and we are ready to do so. This is where Katko's motivated and professional staff come in. We employ approximately 120 people, two thirds of whom are in Finland.

Taking care of people and the environment are among the most important values of our family business. Our environmental thinking is guided by factors such as efficient raw material use, energy-efficient production and the quality and life-cycle of the end product. All of the materials used in our production processes are 100% recyclable. Our sales office was opened in Dubai in 2007. Today, Katko products are sold in more than 60 countries on all continents.






FOOD INDUSTRY

**Food processing. Dairy.
Meat packing & processing. Beverage-making.**

KATKO KER switches can withstand pressurised water, steam and chemical detergents in locations that require a high level of hygiene. Katko's selection provides you with a range of acid-proof products for most food and pharmaceutical industry applications.



CLEAN AIR

**Air conditioning.
Warm air.**

Whether we are talking about cooling or heating, Katko provides an extensive selection of products suitable for demanding air conditioning from ORs to work safety for all industries. The UV protected plastics and aluminium enclosed switches can withstand demanding climate conditions and provide a reliable solution for applications ranging from air-based heat pumps to industrial cooling equipment.



HEAVY INDUSTRY

Metal Industry. Pulp. Paper.


Mechanical durability and the conditions of the most demanding places of use guide your safety switch choice, but we are not just talking about one product. Katko's strength lies in an extensive selection that covers the needs of an entire plant from 10 to 1600 A. With Katko, you get products that are quick to install and modified to suit your requirements. Save time in both construction projects and maintenance shutdowns.



HAZARDOUS AND DEMANDING AREAS

Mining. Oil. Gas. Fire. Marine.

Katko will switch electricity on and off in demanding and hazardous conditions as well. Our selection includes products such as ATEX certified switches for dusty environments, Rina and Lloyd's classified products for the maritime industry, and high temperature resistant solutions complying with the EN 12101-3 standard.



POWER DISTRIBUTION

Standard panel. Switchgear. Distribution boards.

Switchboard and switchgear manufacturers appreciate Katko's technician-friendly products and accessories, as well as the products' reliability and usability. Whether for a residential apartment, a property or an industrial plant, we provide an extensive selection of safety and fused switches, cable connectors and terminal blocks for 400–690 V low voltage grids.



RENEWABLE ENERGY

Photovoltaics. Wind power. Recycling.

Solar power is the energy of the future. Solar panels produce DC power, and switching it off is an art in itself. The Katko PV switch product series has been developed for this purpose. In addition to DC power, the products are designed to withstand strong UV radiation and other challenging outdoor conditions.

KATKO'S EASY TO USE RANGE OF ENCLOSED SWITCHES

Polycarbonate (IP66) or ABS (IP65) enclosure. Good resistance against UV and many chemicals. Available in grey/black or yellow/red.

stainless steel screw fixing



Retained handle, you don't need to unscrew to remove the cover

Provision for 3 padlocks

5 cable entries: M20 & M25 mm as standard on the top and bottom and M20 on the base. Knock-out glands are easy to open.

Neutral & earth terminals fitted on 3 pole switch. Only earth on 4 pole switch.

Retrofit 'snap on' auxilliary contacts. No need to touch existing cabling.

Large cable terminals 1,5 - 16 mm² up to 40A
2.5 - 35 mm² up to 80A

Door interlock with defeat mechanism

Self-extinguishing material and excellent insulating properties

Padlocking in OFF-position prevents access to the actuator.

Reliable position indication



Fully rated Load Break Switch. Breaking capacity of 8xAC23 rating. Back up fuse rating to match motor manufacturers recommendation

Enclosure mounting screws (4,5 mm in diameter) isolated from the inside housing keeping the integrity of the IP65/IP66 rating.

'Plug in' switch. Enables unplugging the switch for easy cabling

IP / NEMA CLASSIFICATIONS OF PROTECTION

IP CLASSIFICATIONS

Ingress protection class of enclosures is according to IEC 60 529 given in form of IP classification, a two digit coding which is shown below.

NEMA/UL CLASSIFICATIONS

The National Electrical Manufacturers Association (NEMA) is a US Manufacturers organisation. NEMA performance criteria and test methods are used by Underwriters' Laboratories as guidelines for investigation and listing of electrical enclosures.

FIRST NUMBER Protection against solid objects		SECOND NUMBER Protection against liquids		NEMA	
0	No protection.	0	No protection.	1	Indoor use primarily to provide a degree of protection against contact with the enclosed equipment and against a limited amount of falling dirt.
1	Protected against solid objects up to 50mm eg accidental touch by hands.	1	Protected against vertically falling drops of water.	2	Indoor use to provide a degree of protection against limited amounts of falling water and dirt.
2	Protected against solid objects up to 12mm eg fingers.	2	Protected against direct sprays of water up to 15° from the vertical.	3	Outdoor use to provide a degree of protection against windblown dust, rain and sleet; undamaged by the formation of ice on the enclosure.
3	Protected against solid objects up to 2,5mm eg (tools + small wires).	3	Protected against sprays up to 60° from the vertical.	3R	Outdoor use to provide a degree of protection against rain and sleet; undamaged by the formation of ice on the enclosure.
4	Protected against solid objects up to 1mm eg (tools + small wires).	4	Protected against water sprayed from all directions - limited ingress permitted.	3S	Outdoor use to provide a degree of protection against windblown dust, rain and sleet; external mechanisms remain operable while ice laden.
5	Protected against dust - limited ingress permitted (no harmful deposit).	5	Protected against low pressure jets of water from all directions - limited ingress permitted.	4	Indoor or outdoor use to provide a degree of protection against splashing water, windblown dust and rain, hose directed water; undamaged by the formation of ice on the enclosure.
6	Totally protected against dust.	6	Protected against strong jets of water eg for use on shipdecks - limited ingress permitted.	4X	Indoor or outdoor use to provide a degree of protection against splashing water, windblown dust and rain, hose directed water; undamaged by the formation of ice on the enclosure. Resists corrosion.
		6NW	Protected against strong jets of water eg for use on shipdecks - no ingress permitted.	6	Indoor or outdoor use to provide a degree of protection against the entry of water during temporary submersion at a limited depth; undamaged by the formation of ice on the enclosure.
		7	Protected against the affects of immersion between 15cm and 1m.	6P	Indoor or outdoor use to provide a degree of protection against the entry of water during prolonged submersion at a limited depth.
		8	Protected against long periods of immersion under pressure.	11	Indoor use to provide by oil immersion a degree of protection of the enclosed equipment against the corrosive effects of corrosive liquids and gases.
		9K	Protected against close-range high pressure, high temperature spray downs.	12/12K	Indoor use to provide a degree of protection against dust, falling dirt and dripping noncorrosive liquids.
				13	Indoor use to provide a degree of protection against dust, and spraying of water oil and noncorrosive coolants.

SWITCHES ACCORDING TO IEC 60 947-3.

SWITCH

A mechanical switching device capable of making, carrying and breaking currents under normal circuit conditions which may include specified operating overload conditions and also carrying for a specified time currents under specified abnormal circuit conditions such as those of short circuit.

Note: A switch may be capable of making, but not breaking, short-circuit currents.

DISCONNECTOR

A mechanical switching device which, in the open position, complies with the requirements specified for the isolating function.

Disconnecter: (working definition) device without on-load making and breaking capacity.

SWITCH DISCONNECTOR / LOAD BREAK SWITCH

A switch capable of making, carrying and breaking currents under normal circuit conditions and which, in the open position, complies with the isolating requirements specified for a disconnector.

SWITCH DISCONNECTOR FUSE

A switch-disconnector in which one or more poles have a fuse in series in a composite unit.

UTILIZATION CATEGORY

Utilization category	Use / Application
AC-20	Connecting and disconnecting under no-load.
AC-21	Switching of resistive loads including moderate overloads
AC-22	Switching of mixed loads, inductive and resistive loads including moderate overloads
AC-23	Switching of motor loads or other highly inductive loads

PROTECTION AGAINST OVERVOLTAGE

U_{imp} (Impulse withstand voltage) defines the device's use in abnormal network conditions with overvoltage due to lightning on overhead wires etc.

This characteristic also defines the device's dielectric quality. Overvoltage protection is ensured by choosing the equipment according to U_{imp} . The 4 impulse withstand categories of use at 400V/ 690V (IEC 60 364-4-44) are:

Category	U_{imp}	Applications
1	2,5 kV	specially protected equipment
2	4 kV	Portable tools, motors, etc.
3	6 kV	Equipment placed in distribution networks
4	8 kV	Equipment placed at the head of an installation.

The U_{imp} rating for most of the Katko switches is 8kV.

INSTALLATION ENVIRONMENT TEMPERATURE

To assure the best of operation of KATKO switches the ambient air temperature of installation environment should be in the range of -40°C to + 60°C.

When the ambient temperatures exceed +40°C, the maximum load of the switch may have to be derated. Please contact KATKO for assistance.

CONFORMITY TO STANDARDS

Katko switches are designed to comply with both national and international standards.

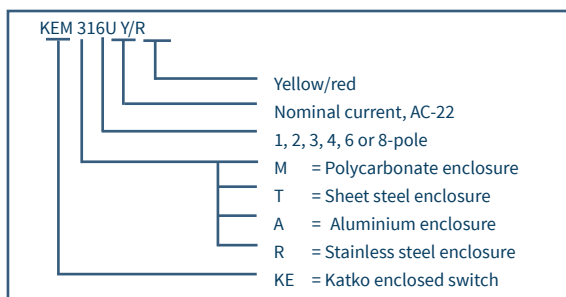
- Switches tested acc. to IEC 60 947
- AC 23 / 690V ratings
- 50 kA R.M.S values
- CB certificates
- UL, cUL listed (UL 60947-4-1A)
- Fuse holder acc. to IEC 60 269 / UL 4248-1

SAFETY SWITCHES / ISOLATORS 10 - 800 A

• Enclosures:

Polycarbonate (KEM)	IP66/IP65
Polycarbonate (KSM)	IP67
ABS (KEM)	IP65
Sheet steel (KET)	IP65
Aluminium (KEA)	IP66/IP65
Stainless steel (KER) IP69K/IP66/IP65	

- Tested according to IEC 60 947-3 and UL 60947-4-1A
- CB certificates
- Comply with ISO 9001 and ISO 14001
- AC-23, 690V ratings
- R.M.S values 50 kA
- Multiple break with silver rivets
- Airgap 12,5 mm
- Door interlock
- Lockable handle
- Reliable position indication
- Standard grey/black and yellow/red series
grey/black= grey cover, black handle
yellow/red= yellow cover, red handle
- Standard models 3P, 4P, 6P and 8P
- 1P and 2P available



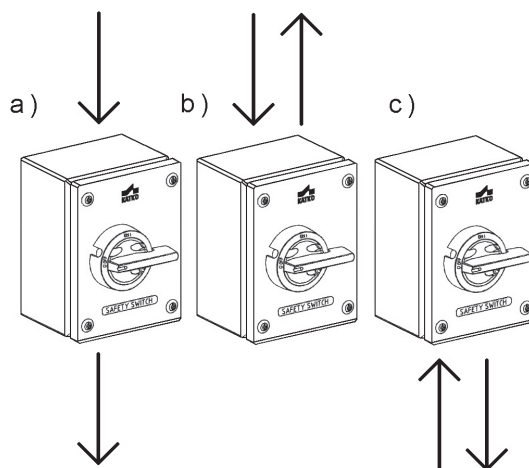
NOTE: When ordering the grey/black series no abbreviation is needed.

KATKO SWITCHES - FOR HEAVY DUTY

- Superior life span even in most demanding environments such as papermills, chemical plants, steelworks and food processing plants.

EASY TO INSTALL

- Retrofit snap-on auxilliary contacts
- Flexible installation, incoming and outgoing cables for example:
 - a) KEM 3400: In from the top, out from the bottom of the enclosure
 - b) KEM 3400 Y: in- and outgoing cables from the top of the enclosure
 - c) KEM 3400 A: in- and outgoing cables from the bottom of the enclosure



NOTE: When ordering switches with ampere rating 200A or higher, please mention the intended cabling directions if other than shown in a).

RECOMMENDED ENCLOSURE FOR DIFFERENT CABLE SIZES

Polycarbonate Enclosures	Cable size mm ²	Sheet Steel Enclosures	Cable size mm ²	Aluminium Enclosures	Cable size mm ²	Stainless Steel Enclosures
U1, U2	3x2,5+2,5	TE005/TR007	3x2,5+2,5	A2	3x2,5+2,5	H23
U1, U2	3x6+6	TE005/TR007	3x6+6	A2	3x6+6	H23
U3	3x10+10	TE005/TR007	3x10+10	A3	3x10+10	H32
U3	3x16+16	TE005/TR007	3x16+16	A3	3x16+16	H32
U4	3x35+16	TR01	3x35+16	A3	3x35+16	H02
U4	3x50+25	TR02	3x50+25	A4	3x50+25	H02
MF01	3x70+35	TR02	3x70+35	A4	3x70+35	H02
MF03, MF04	3x95+50	TR03	3x95+50	A5	3x95+50	H03
MF03, MF04	3x120+70	TR03	3x120+70	A5	3x120+70	H03
MF03, MF04	3x185+95	TR03	3x185+95	A5	3x185+95	H03
MF03, MF04	3x240+120	TR04/TR05	3x240+120	A5	3x240+120	H04-H08

ALWAYS CHOOSE THE RIGHT SWITCH FOR THE RIGHT PURPOSE!

SAFETY SWITCHES / ISOLATORS 10-800 A TECHNICAL DATA



SAFETY SWITCHES / ISOLATORS		10 A	16 A	25 A	40 A	63 A	80 A	100 A	125 A
Rated insulation voltage, U_i (V)		800	800	800	800	800	800	800	800
Rated thermal current, I_{th} (A)		20	25	40	63	80	100	125	160
Rated thermal current, I_{thc} (A)		20	40	63	63	80	100	125	160
Nominal values with cable size (mm ²)		2.5	4	10	16	25	35	70	70
Rated operational current, I_n (A)									
AC-21	400/415V	20	25	40	63	80	100	125	160
	500V	20	25	40	63	80	100	125	160
	690V	20	25	40	63	80	100	125	160
AC-22	400/415V	10	16	25	40	63	80	100	125
	500V	10	16	25	40	63	80	100	125
	690V	10	16	25	40	63	80	100	125
AC-23	400/415V	10	16	25	40	40	63	100	125
	500V	10	16	25	32	40	40	63	80
	690V	10	16	25	32	40	40	63	80
Rated operational power for 3-phase (1500 r.p.m.) squirrel cage induction motors (kW)									
AC-23	400/415V	5.5	7.5	11	22	22	30	55	55
	500V	5.5	7.5	15	22	30	30	37	55
	690V	7.5	11	22	30	37	37	55	75
Rated fused short circuit current									
Back-up fuse (A)		63	63	63	63	80	80	160	160
R.M.S. value, I_k (kA)		50	50	50	50	50	50	65	65
Peak value (kA)		7.2	7.2	7.2	7.2	8.7	8.7	15	15
Impulse withstand voltage, U_{lim} (kV)		8	8	8	8	8	8	8	8
Rated short circuit making capacity, I_{cm} (kA)									
	690V	2.5	2.5	2.5	2.5	3.1	3.1	8	8
Rated short time withstand current (1 s), I_{cw} (kA)									
	690V (*1000V)	1.7	1.7	1.7	1.7	2.0	2.0	5	5
Rated breaking capacity, I_{cn} (A)									
AC-23	400/415V	80	128	200	320	320	504	640	1000
	500V	80	128	200	256	320	320	504	640
	690V	80	128	200	256	320	320	504	640
Electrical endurance (operations)		3000	3000	3000	3000	3000	3000	2000	2000
Mechanical endurance (operations)		50000	50000	50000	50000	50000	50000	16000	16000
Terminals / Bolt size Cu (mm ²)		1.5-16	1.5-16	1.5-16	1.5-16	2.5-35	2.5-35	6-70	6-70
Max terminal torque (Nm)		1.8	1.8	1.8	1.8	2.5	2.5	6	6

1) KEx x200 - KEx x250 2) KEx x200C - KEx x250C

SAFETY SWITCHES / ISOLATORS 10-800 A TECHNICAL DATA

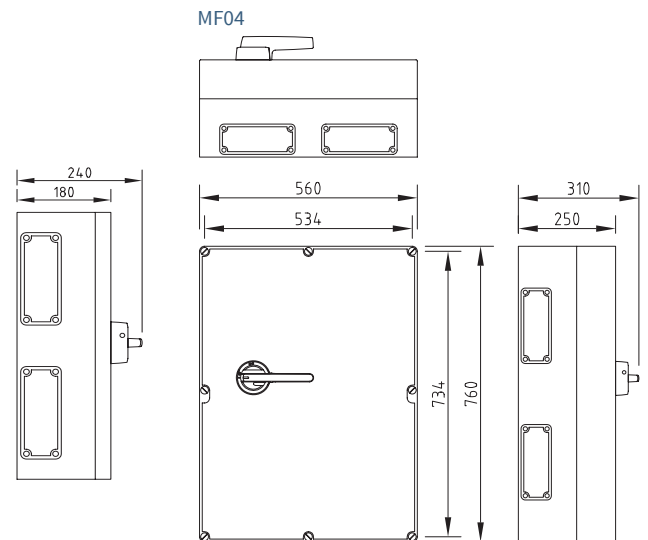
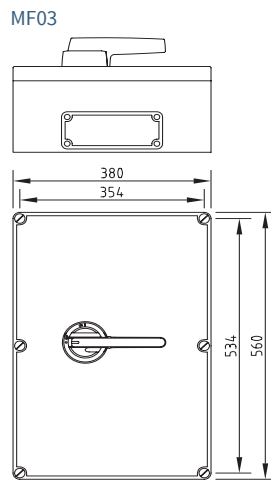
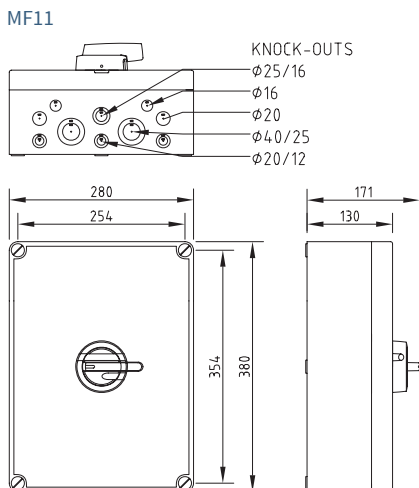
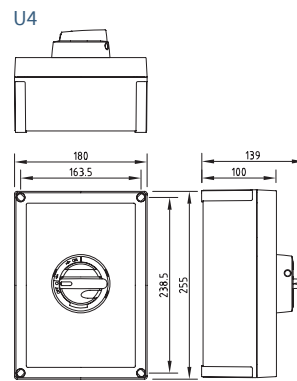
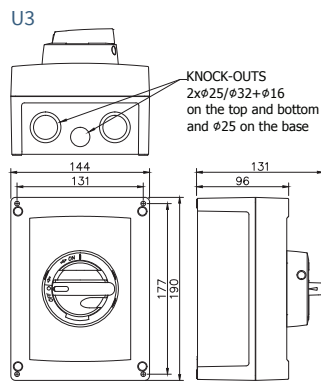
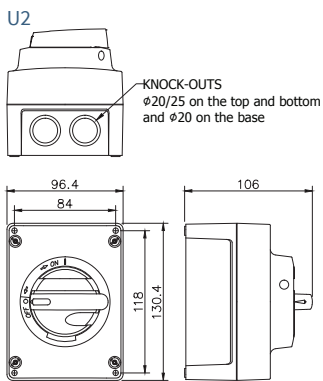


200 A ¹⁾	200 A ²⁾	250 A ³⁾	250 A ²⁾	315 A	400 A	630 A	800 A	Safety switches / Isolators	
1000	1000	1000	1000	1000	1000	1000	1000	Rated insulation voltage, U _i (V)	
200	200	250	250	315	400	630	800	Rated thermal current, I _{th} (A)	
200	200	250	250	315	400	630	800	Rated thermal current, I _{the} (A)	
95	95	120	120	185	240	2x185	2x240	Nominal values with cable size (mm ²)	
								Rated operational current	
200	200	250	250	315	400	630	800	400/415V	AC-21
200	200	250	250	315	400	630	800	500V	
200	200	250	250	315	400	630	800	690V	
200	200	250	250	315	400	630	800	400/415V	AC-22
200	-	250	-	315	400	630	800	500V	
200	-	250	-	315	400	630	800	690V	
200	200	250	250	315	400	630	800	400/415V	AC-23
200	-	250	-	315	400	630	800	500V	
200	-	250	-	315	400	630	800	690V	
								Rated operational power for 3-phase (1500 r.p.m.) squirrel cage induction motors (kW)	
110	110	132	132	160	200	355	400	400/415V	AC-23
132	-	160	-	200	250	400	560	500V	
160	-	250	-	315	355	630	800	690V	
								Rated fused short circuit current	
250	250	250	250	400	400	630	800	Back-up fuse (A)	
50	50	50	50	50	50	100	100	R.M.S. value, I _r (kA)	
18	22	18	22	26	26	76	76	Peak value (kA)	
8	8	8	8	8	8	12	12	Impulse withstand voltage, U _{lim} (kV)	
								Rated short circuit making capacity, I _{cn} (kA)	
11.4	7	11.4	7	12	12	60	60	690V	
								Rated short time withstand current (1 s), I _{cn} (kA)	
6.5	6	6.5	6	7	7	*28	*28	690V (*1000V)	
								Rated breaking capacity, I _{cn} (A)	
1600	1600	2000	2000	2520	3200	5040	6400	400/415V	AC-23
1600	-	2000	-	2520	3200	5040	6400	500V	
1600	-	2000	-	2520	3200	5040	6400	690V	
2000	2000	2000	2000	2000	2000	2000	2000	Electrical endurance (operations)	
16000	16000	16000	16000	10000	10000	10000	10000	Mechanical endurance (operations)	
M10	M8	M10	M8	M10	M10	M12	M12	Terminals / Bolt size Cu (mm ²)	
30-44	15-22	30-44	15-22	30-44	30-44	50-75	50-75	Max terminal torque (Nm)	

POLYCARBONATE ENCLOSED SAFETY SWITCHES / ISOLATORS 10-630 A



- IP66NW Enclosure types U2 (AS/NZS 60947,3:2018)
- IP66; Enclosure types U3, U4
- IP65; Enclosure types MF11, MF03, MF04
- Self-extinguishing material
- Wide operating temperature range
- Padlockable
- Door interlock with defeat mechanism
- Excellent insulating properties
- Good UV resistance
- Good resistance against many chemicals



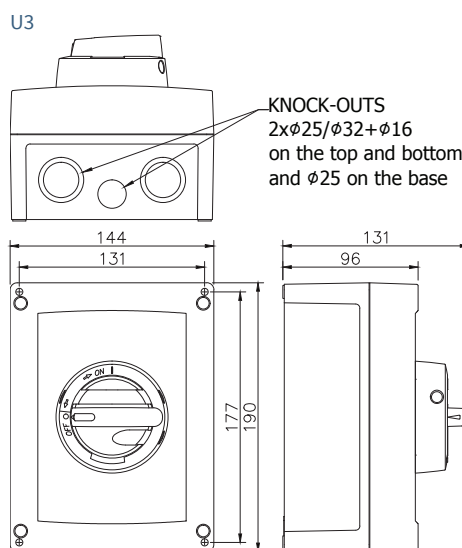
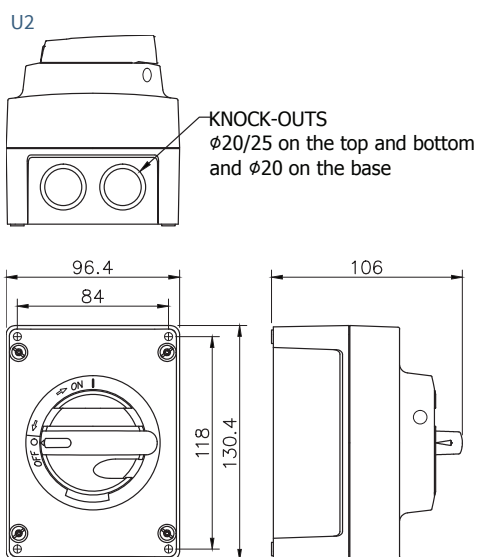
POLYCARBONATE ENCLOSED SAFETY SWITCHES / ISOLATORS 10-630 A

Type		AC-21		AC-22		AC-23		690 V	EAN codes 6419410...		Enclosure	Weight kg
		400 V	415 V	400 V	415 V	400 V	415 V		Grey/black	Yellow/red		
Grey/black	Yellow/red	I _n / A	I _e / A	I _n / A	I _e / A	I _n / A	P / kW	I _n / A	P / kW	Grey/black	Yellow/red	
1-pole												
KEM 110U	KEM 110U Y/R	20 A*	10 A*	10 A	2 kW**	10 A	-	U2	0.4	
KEM 116U	KEM 116U Y/R	25 A*	16 A*	16 A	3 kW**	16 A	-	U2	0.4	
KEM 125U	KEM 125U Y/R	40 A*	25 A*	25 A	4 kW**	25 A	-	U2	0.4	
KEM 140U	KEM 140U Y/R	63 A*	40 A*	40 A	7,5 kW**	32 A	-	U2	0.4	
KEM 163U	KEM 163U Y/R	80 A*	63 A*	40 A	7,5 kW**	40 A	-	U3	0.6	
KEM 180U	KEM 180U Y/R	100 A*	80 A*	63 A	11 kW**	40 A	-	U3	0.6	
2-pole												
KEM 210U	KEM 210U Y/R	20 A*	10 A*	10 A	2 kW**	10 A	-	U2	0.4	
KEM 216U	KEM 216U Y/R	25 A*	16 A*	16 A	3 kW**	16 A	-	U2	0.4	
KEM 225U	KEM 225U Y/R	40 A*	25 A*	25 A	4 kW**	25 A	-	U2	0.4	
KEM 240U	KEM 240U Y/R	63 A*	40 A*	40 A	7,5 kW**	32 A	-	U2	0.4	
KEM 263U	KEM 263U Y/R	80 A*	63 A*	40 A	7,5 kW**	40 A	-	U3	0.6	
KEM 280U	KEM 280U Y/R	100 A*	80 A*	63 A	11 kW**	40 A	-	U3	0.6	
3-pole												
KEM 310U	KEM 310U Y/R	20 A	10 A	10 A	5.5 kW	10 A	7.5 kW	U2	0.4	
KEM 316U	KEM 316U Y/R	25 A	16 A	16 A	7.5 kW	16 A	11 kW	U2	0.4	
KEM 325U	KEM 325U Y/R	40 A	25 A	25 A	11 kW	25 A	22 kW	U2	0.4	
KEM 340U	KEM 340U Y/R	63 A	40 A	40 A	22 kW	32 A	30 kW	U2	0.4	
KEM 363U	KEM 363U Y/R	80 A	63 A	40 A	22 kW	40 A	37 kW	U3	0.6	
KEM 380U	KEM 380U Y/R	100 A	80 A	63 A	30 kW	40 A	37 kW	U3	0.6	
KEM 3100U	KEM 3100U Y/R	125 A	100 A	100 A	55 kW	63 A	55 kW	U4	1	
KEM 3125U	KEM 3125U Y/R	160 A	125 A	125 A	55 kW	80 A	75 kW	U4	1	
KEM 3160	KEM 3160 Y/R	160 A	160 A	160 A	90 kW	100 A	90 kW	MF11	3.3	
KEM 3200	KEM 3200 Y/R	200 A	200 A	200 A	110 kW	200 A	160 kW	MF03	7.8	
KEM 3200C	KEM 3200C Y/R	200 A	200 A*	200 A	110 kW	-	-	MF11	3.4	
KEM 3250	KEM 3250 Y/R	250 A	250 A	250 A	132 kW	250 A	250 kW	MF03	7.8	
KEM 3250C	KEM 3250C Y/R	250 A	250 A*	250 A	132 kW	-	-	MF11	3.4	
KEM 3315	KEM 3315 Y/R	315 A	315 A	315 A	160 kW	315 A	315 kW	MF03	8.2	
KEM 3400	KEM 3400 Y/R	400 A	400 A	400 A	200 kW	400 A	355 kW	MF03	8.2	
KEM 3630	KEM 3630 Y/R	630 A	630 A	630 A	355 kW	630 A	630 kW	MF04	21.0	
4-pole												
KEM 410U	KEM 410U Y/R	20 A	10 A	10 A	5.5 kW	10 A	7.5 kW	U2	0.5	
KEM 416U	KEM 416U Y/R	25 A	16 A	16 A	7.5 kW	16 A	11 kW	U2	0.5	
KEM 425U	KEM 425U Y/R	40 A	25 A	25 A	11 kW	25 A	22 kW	U2	0.5	
KEM 440U	KEM 440U Y/R	63 A	40 A	40 A	22 kW	32 A	30 kW	U2	0.5	
KEM 463U	KEM 463U Y/R	80 A	63 A	40 A	22 kW	40 A	37 kW	U3	0.7	
KEM 480U	KEM 480U Y/R	100 A	80 A	63 A	30 kW	40 A	37 kW	U3	0.7	
KEM 4100U	KEM 4100U Y/R	125 A	100 A	100 A	55 kW	63 A	55 kW	U4	1	
KEM 4125U	KEM 4125U Y/R	160 A	125 A	125 A	55 kW	80 A	75 kW	U4	1	
KEM 4160	KEM 4160 Y/R	160 A	160 A	160 A	90 kW	100 A	90 kW	MF11	3.4	
KEM 4200	KEM 4200 Y/R	200 A	200 A	200 A	110 kW	200 A	160 kW	MF03	8.3	
KEM 4200C	KEM 4200C Y/R	200 A	200 A*	200 A	110 kW	-	-	MF11	3.5	
KEM 4250	KEM 4250 Y/R	250 A	250 A	250 A	132 kW	250 A	250 kW	MF03	8.3	
KEM 4250C	KEM 4250C Y/R	250 A	250 A*	250 A	132 kW	-	-	MF11	3.5	
KEM 4315	KEM 4315 Y/R	315 A	315 A	315 A	160 kW	315 A	315 kW	MF03	8.8	
KEM 4400	KEM 4400 Y/R	400 A	400 A	400 A	200 kW	400 A	355 kW	MF03	8.8	
KEM 4630	KEM 4630 Y/R	630 A	630 A	630 A	355 kW	630 A	630 kW	MF04	22.1	
6-pole												
KEM 616U	KEM 616U Y/R	25 A	16 A	16 A	7.5 kW	16 A	11 kW	U3	0.9	
KEM 625U	KEM 625U Y/R	40 A	25 A	25 A	11 kW	25 A	22 kW	U3	0.9	
KEM 640U	KEM 640U Y/R	63 A	40 A	40 A	22 kW	32 A	30 kW	U3	0.9	
KEM 663U	KEM 663U Y/R	80 A	63 A	40 A	22 kW	40 A	37 kW	U3	0.9	
KEM 680U	KEM 680U Y/R	100 A	80 A	63 A	30 kW	40 A	37 kW	U3	0.9	
KEM 6100	KEM 6100 Y/R	125 A	100 A	100 A	55 kW	63 A	55 kW	MF11	2.1	
KEM 6125	KEM 6125 Y/R	160 A	125 A	125 A	55 kW	80 A	75 kW	MF11	2.1	
KEM 6160	KEM 6160 Y/R	160 A	160 A	160 A	90 kW	100 A	90 kW	MF11	3.8	
8-pole												
KEM 816U	KEM 816U Y/R	25 A	16 A	16 A	7.5 kW	16 A	11 kW	U3	1	
KEM 825U	KEM 825U Y/R	40 A	25 A	25 A	11 kW	25 A	22 kW	U3	1	
KEM 840U	KEM 840U Y/R	63 A	40 A	40 A	22 kW	32 A	30 kW	U3	1	
KEM 863U	KEM 863U Y/R	80 A	63 A	40 A	22 kW	40 A	37 kW	U3	1	
KEM 880U	KEM 880U Y/R	100 A	80 A	63 A	30 kW	40 A	37 kW	U3	1	
KEM 8100	KEM 8100 Y/R	125 A	100 A	100 A	55 kW	63 A	55 kW	MF11	2.2	
KEM 8125	KEM 8125 Y/R	160 A	125 A	125 A	55 kW	80 A	75 kW	MF11	2.2	
KEM 8160	KEM 8160 Y/R	160 A	160 A	160 A	90 kW	100 A	90 kW	MF11	4	

* 400/415 V **240 V

ABS ENCLOSED SAFETY SWITCHES / ISOLATORS 10-80 A

- IP65
- Padlockable
- Door interlock with defeat mechanism
- Excellent insulating properties
- Good resistance against many chemicals
- E/G=Grey, Y/R=Yellow/Red



Type		AC-21		AC-22		AC-23		AC-23	690 V	EAN-Code 6419410...		Enclosure	Weight kg
		400 V	415 V	415 V	690 V	400 V	415 V			Grey/black	Yellow/red		
Grey/black	Yellow/red	I_n / A		I_n / A		I_n / A		P / kW	I_n / A	P / kW	Grey/black	Yellow/red	
1-pole													
KEM 110U E/G	KEM 110U Y/R ABS	20 A*		10 A*		10 A	2 kW**	10 A	-	U2	0.4
KEM 116U E/G	KEM 116U Y/R ABS	25 A*		16 A*		16 A	3 kW**	16 A	-	U2	0.4
KEM 125U E/G	KEM 125U Y/R ABS	40 A*		25 A*		25 A	4 kW**	25 A	-	U2	0.4
KEM 140U E/G	KEM 140U Y/R ABS	63 A*		40 A*		40 A	7,5 kW**	32 A	-	U2	0.4
KEM 163U E/G	KEM 163U Y/R ABS	80 A*		63 A*		40 A	7,5 kW**	40 A	-	U3	0.6
KEM 180U E/G	KEM 180U Y/R ABS	100 A*		80 A*		63 A	11 kW**	40 A	-	U3	0.6
2-pole													
KEM 210U E/G	KEM 210U Y/R ABS	20 A*		10 A*		10 A	2 kW**	10 A	-	U2	0.5
KEM 216U E/G	KEM 216U Y/R ABS	25 A*		16 A*		16 A	3 kW**	16 A	-	U2	0.5
KEM 225U E/G	KEM 225U Y/R ABS	40 A*		25 A*		25 A	4 kW**	25 A	-	U2	0.5
KEM 240U E/G	KEM 240U Y/R ABS	63 A*		40 A*		40 A	7,5 kW**	32 A	-	U2	0.5
KEM 263U E/G	KEM 263U Y/R ABS	80 A*		63 A*		40 A	7,5 kW**	40 A	-	U3	0.7
KEM 280U E/G	KEM 280U Y/R ABS	100 A*		80 A*		63 A	11 kW**	40 A	-	U3	0.7
3-pole													
KEM 310U E/G	KEM 310U Y/R ABS	20 A		10 A		10 A	5.5 kW	10 A	7.5 kW	U2	0.4
KEM 316U E/G	KEM 316U Y/R ABS	25 A		16 A		16 A	7.5 kW	16 A	11 kW	U2	0.4
KEM 325U E/G	KEM 325U Y/R ABS	40 A		25 A		25 A	11 kW	25 A	22 kW	U2	0.4
KEM 340U E/G	KEM 340U Y/R ABS	63 A		40 A		40 A	22 kW	32 A	30 kW	U2	0.4
KEM 363U E/G	KEM 363U Y/R ABS	80 A		63 A		40 A	22 kW	40 A	37 kW	U3	0.6
KEM 380U E/G	KEM 380U Y/R ABS	100 A		80 A		63 A	30 kW	40 A	37 kW	U3	0.6
4-pole													
KEM 410U E/G	KEM 410U Y/R ABS	20 A		10 A		10 A	5.5 kW	10 A	7.5 kW	U2	0.5
KEM 416U E/G	KEM 416U Y/R ABS	25 A		16 A		16 A	7.5 kW	16 A	11 kW	U2	0.5
KEM 425U E/G	KEM 425U Y/R ABS	40 A		25 A		25 A	11 kW	25 A	22 kW	U2	0.5
KEM 440U E/G	KEM 440U Y/R ABS	63 A		40 A		40 A	22 kW	32 A	30 kW	U2	0.5
KEM 463U E/G	KEM 463U Y/R ABS	80 A		63 A		40 A	22 kW	40 A	37 kW	U3	0.7
KEM 480U E/G	KEM 480U Y/R ABS	100 A		80 A		63 A	30 kW	40 A	37 kW	U3	0.7

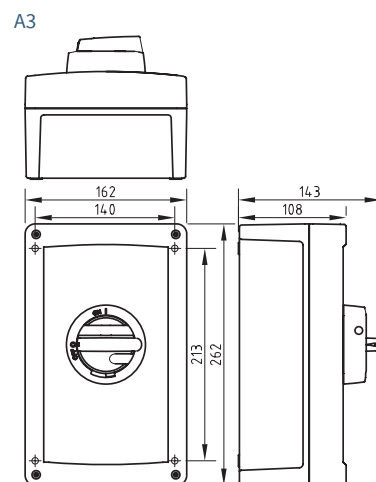
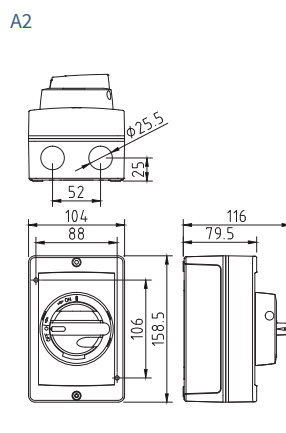
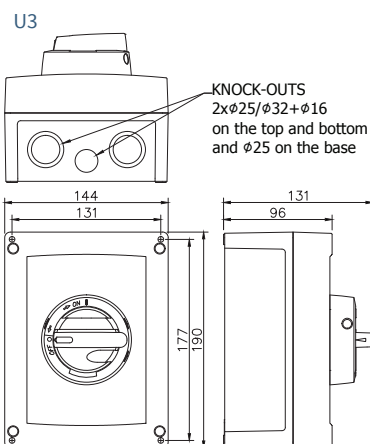
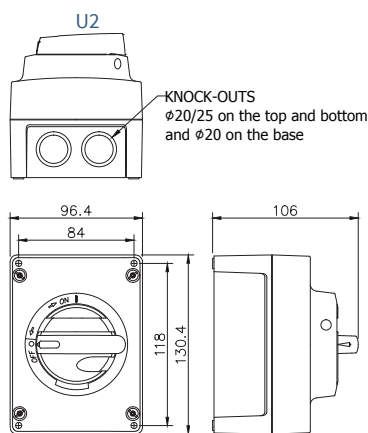
* 400/415 V

**240 V

EMC-PROTECTED SAFETY SWITCHES / ISOLATORS 16-630 A



- Electromagnetic compatibility ensures safe operation in environments with electromagnetic disturbance
- Tested according to EMC EN 61000-6-3:2007+A1(2011) with EMC glands shielded power cable
- IP66NW; Enclosure types U2, A2 (AS/NZS 60947,3:2018)
- IP66; Enclosure types U3, A3
- IP65; Enclosure types TR02, TR03, TR04
- Available in polycarbonate up to 80 A, aluminium up to 125 A and sheet steel up to 630 A
- Also available in TR02, TR03 and TR04 enclosures
- Padlockable
- Door interlock with defeat mechanism
- EMC cable glands included



Type		AC-21		AC-22		AC-23		AC-23	690 V	EAN-Code 6419410...		Enclosure	Cable glands	Weight kg
		400 V	415 V	400 V	415 V	400 V	415 V			Grey/black	Yellow/red			
Grey/black	Yellow/red	I _n / A		I _n / A		I _n / A		P / kW	P / kW	Grey/black	Yellow/red			
Polycarbonate enclosures														
KEM 316U/EMC	KEM 316U/EMC Y/R	25 A		16 A		16 A	7.5 kW	16 A	11 kW	...329207	...329252	U2	2xM25	0.6
KEM 325U/EMC	KEM 325U/EMC Y/R	40 A		25 A		25 A	11 kW	25 A	22 kW	...329214	...329269	U2	2xM25	0.6
KEM 340U/EMC	KEM 340U/EMC Y/R	63 A		40 A		40 A	22 kW	32 A	30 kW	...329221	...329276	U2	2xM25	0.8
KEM 363U/EMC	KEM 363U/EMC Y/R	80 A		63 A		40 A	22 kW	40 A	37 kW	...329238	...329283	U3	2xM32	0.8
KEM 380U/EMC	KEM 380U/EMC Y/R	100 A		80 A		63 A	30 kW	40 A	37 kW	...329245	...329290	U3	2xM32	0.8
KEM 3100UEMC	KEM 3100UEMC Y/R	125 A		100 A		100 A	55 kW	63 A	55 kW	...315484	...315521	U4	2xM40	1
KEM 3125UEMC	KEM 3125UEMC Y/R	160 A		125 A		125 A	55 kW	80 A	75 kW	...315491	...315538	U4	2xM40	1
Aluminium enclosures														
KEA 316U/EMC	KEA 316U/EMC Y/R	25 A		16 A		16 A	7.5 kW	16 A	11 kW	...483008	...483039	A2	2xM25	0.8
KEA 325U/EMC	KEA 325U/EMC Y/R	40 A		25 A		25 A	11 kW	25 A	22 kW	...483015	...483046	A2	2xM25	0.8
KEA 340U/EMC	KEA 340U/EMC Y/R	63 A		40 A		40 A	22 kW	32 A	30 kW	...483022	...483053	A2	2xM25	0.8
KEA 363U/EMC	KEA 363U/EMC Y/R	80 A		63 A		40 A	22 kW	40 A	37 kW	...336601	...336465	A3	2xM40	2.1
KEA 380U/EMC	KEA 380U/EMC Y/R	100 A		80 A		63 A	30 kW	40 A	37 kW	...336618	...336472	A3	2xM40	2.1
KEA 3100UEMC	KEA 3100UEMC Y/R	125 A		100 A		100 A	55 kW	63 A	55 kW	...315507	...315545	A3	2xM40	3.5
KEA 3125UEMC	KEA 3125UEMC Y/R	160 A		125 A		125 A	55 kW	80 A	75 kW	...336625	...336489	A3	2xM40	3.5
KEA 3160UEMC	KEA 3160UEMC Y/R	160 A		160 A		160 A	90 kW	100 A	90 kW	...315514	...315552	A3	2xM40	3.5
Sheet steel enclosures														
KET 3160/EMC	KET 3160/EMC Y/R	160 A		160 A		160 A	90 kW	100 A	90 kW	...336649	...338735	TR02	*	8.1
KET 3200/EMC	KET 3200/EMC Y/R	200 A		200 A		200 A	110 kW	200 A	160 kW	...336656	...338742	TR03	*	19
KET 3250/EMC	KET 3250/EMC Y/R	250 A		250 A		250 A	132 kW	250 A	250 kW	...336663	...338759	TR03	*	19
KET 3315/EMC	KET 3315/EMC Y/R	315 A		315 A		315 A	160 kW	315 A	315 kW	...336670	...338776	TR03	*	20
KET 3400/EMC	KET 3400/EMC Y/R	400 A		400 A		400 A	200 kW	400 A	355 kW	...336687	...338773	TR04	*	20
KET 3630/EMC	KET 3630/EMC Y/R	630 A		630 A		630 A	355 kW	630 A	630 kW	...336694	...338780	TR04	*	39

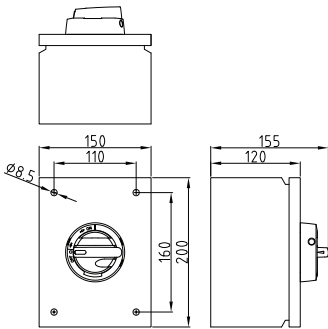
* 160-630 A cable glands according to order

SHEET STEEL ENCLOSED SAFETY SWITCHES / ISOLATORS 16-1600 A

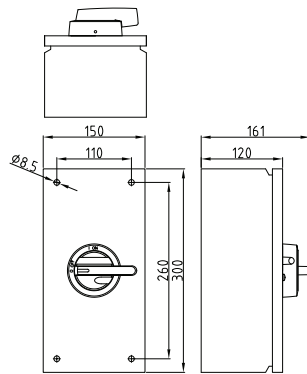


- IP65
- Good corrosion resistance
- Wide operating temperature range
- Padlockable
- Door interlock with defeat mechanism
- Excellent Insulating properties
- Good UV resistance
- Good resistance against many chemicals
- Available up to 1600A

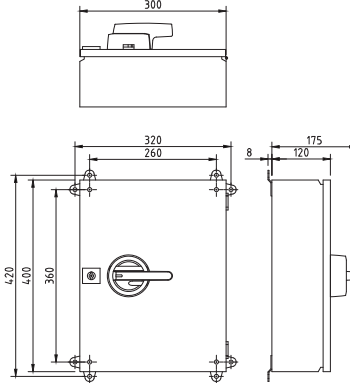
TR007



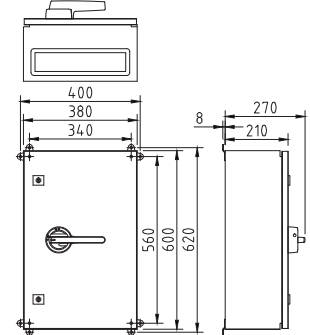
TR01



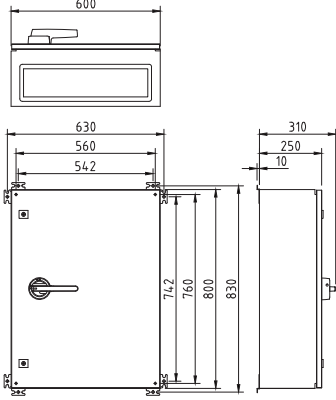
TR02



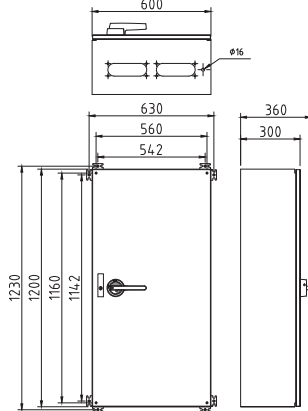
TR03



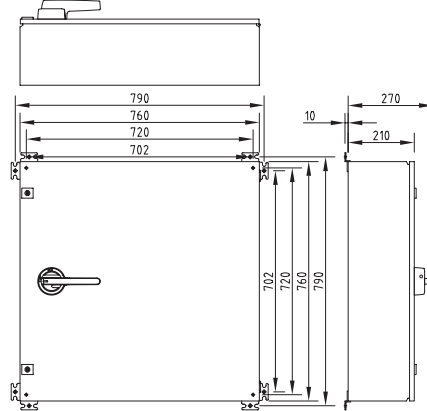
TR04



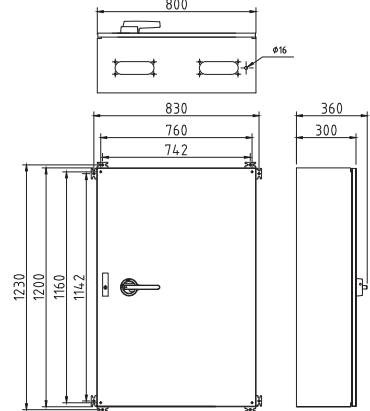
TR05



TR06



TR07



SHEET STEEL ENCLOSED SAFETY SWITCHES / ISOLATORS 16-1600 A

Type		AC-21		AC-22		AC-23		AC-23		690 V	EAN-Code 6419410...		Enclosure	Weight kg
		400 V	415 V	400 V	415 V	400 V	415 V	400 V	415 V		Grey/black	Yellow/red		
Grey/black	Yellow/red	I _n / A	I _n / A	I _n / A	I _n / A	P / kW	I _n / A	P / kW	P / kW		Grey/black	Yellow/red		
1-pole														
KET 116	KET 116 Y/R	25 A*	16 A*	16 A	16 A	3 kW**	16 A	-	-	-	...357866	...357873	TR007	2.1
KET 125	KET 125 Y/R	40 A*	25 A*	25 A	25 A	4 kW**	25 A	-	-	-	...357880	...357897	TR007	2.1
KET 140	KET 140 Y/R	63 A*	40 A*	40 A	40 A	7,5 kW**	32 A	-	-	-	...357903	...357910	TR007	2.1
KET 163	KET 163 Y/R	80 A*	63 A*	40 A	40 A	7,5 kW**	40 A	-	-	-	...357927	...357934	TR007	2.1
KET 180	KET 180 Y/R	100 A*	80 A*	63 A	63 A	11 kW**	40 A	-	-	-	...357941	...357958	TR007	2.1
2-pole														
KET 216	KET 216 Y/R	25 A*	16 A*	16 A	16 A	3 kW**	16 A	-	-	-	...357965	...357972	TR007	2.1
KET 225	KET 225 Y/R	40 A*	25 A*	25 A	25 A	4 kW**	25 A	-	-	-	...357989	...357996	TR007	2.1
KET 240	KET 240 Y/R	63 A*	40 A*	40 A	40 A	7,5 kW**	32 A	-	-	-	...358009	...358016	TR007	2.1
KET 263	KET 263 Y/R	80 A*	63 A*	40 A	40 A	7,5 kW**	40 A	-	-	-	...358023	...358030	TR007	2.1
KET 280	KET 280 Y/R	100 A*	80 A*	63 A	63 A	11 kW**	40 A	-	-	-	...358047	...358054	TR007	2.1
3-pole														
KET 316	KET 316 Y/R	25 A	16 A	16 A	16 A	7,5 kW	16 A	11 kW	11 kW	11 kW	...339800	...341513	TR007	2.1
KET 325	KET 325 Y/R	40 A	25 A	25 A	25 A	11 kW	25 A	22 kW	22 kW	22 kW	...339848	...341551	TR007	2.1
KET 340	KET 340 Y/R	63 A	40 A	40 A	40 A	22 kW	32 A	30 kW	30 kW	30 kW	...339886	...341599	TR007	2.1
KET 363	KET 363 Y/R	80 A	63 A	40 A	40 A	22 kW	40 A	37 kW	37 kW	37 kW	...339923	...341636	TR007	2.1
KET 380	KET 380 Y/R	100 A	80 A	63 A	63 A	30 kW	40 A	37 kW	37 kW	37 kW	...339961	...341735	TR007	2.1
KET 3100	KET 3100 Y/R	125 A	100 A	100 A	100 A	55 kW	63 A	55 kW	55 kW	55 kW	...315262	...315309	TR01	4.3
KET 3125	KET 3125 Y/R	160 A	125 A	125 A	125 A	55 kW	80 A	75 kW	75 kW	75 kW	...339251	...339268	TR01	4.3
KET 3160	KET 3160 Y/R	160 A	160 A	160 A	160 A	90 kW	100 A	90 kW	90 kW	90 kW	...339299	...339305	TR02	9.7
KET 3200	KET 3200 Y/R	200 A	200 A	200 A	200 A	110 kW	200 A	160 kW	160 kW	160 kW	...336700	...336724	TR03	19
KET 3200C	KET 3200C Y/R	200 A	200 A*	200 A	200 A	110 kW	-	-	-	-	...336731	...336748	TR02	7.6
KET 3250	KET 3250 Y/R	250 A	250 A	250 A	250 A	132 kW	250 A	250 kW	250 kW	250 kW	...337103	...337127	TR03	19
KET 3250C	KET 3250C Y/R	250 A	250 A*	250 A	250 A	132 kW	-	-	-	-	...337134	...337141	TR02	7.6
KET 3315	KET 3315 Y/R	315 A	315 A	315 A	315 A	160 kW	315 A	315 kW	315 kW	315 kW	...337509	...337523	TR03	20
KET 3400	KET 3400 Y/R	400 A	400 A	400 A	400 A	200 kW	400 A	355 kW	355 kW	355 kW	...337905	...337929	TR03	20
KET 3630	KET 3630 Y/R	630 A	630 A	630 A	630 A	355 kW	630 A	630 kW	630 kW	630 kW	...338308	...338322	TR04	39
KET 3800T	KET 3800T Y/R	800 A	800 A	800 A	800 A	400 kW	800 A	800 kW	800 kW	800 kW	...338360	...338377	TR05	60
KET 31000T	KET 31000T Y/R	1000 A	1000 A	1000 A	1000 A	560 kW	1000 A	800 kW	800 kW	800 kW	...338384	...338391	TR05	65
KET 31250T	KET 31250T Y/R	1250 A	1250 A	1250 A	1250 A	710 kW	1250 A	1000 kW	1000 kW	1000 kW	...338407	...338414	TR05	75
KET 31600T	KET 31600T Y/R	1600 A	1600 A	1600 A	1600 A	900 kW	1600 A	1200 kW	1200 kW	1200 kW	...338421	...338438	TR05	85
4-pole														
KET 416	KET 416 Y/R	25 A	16 A	16 A	16 A	7,5 kW	16 A	11 kW	11 kW	11 kW	...339817	...341520	TR007	2.2
KET 425	KET 425 Y/R	40 A	25 A	25 A	25 A	11 kW	25 A	22 kW	22 kW	22 kW	...339855	...341568	TR007	2.2
KET 440	KET 440 Y/R	63 A	40 A	40 A	40 A	22 kW	32 A	30 kW	30 kW	30 kW	...339893	...341605	TR007	2.2
KET 463	KET 463 Y/R	80 A	63 A	40 A	40 A	22 kW	40 A	37 kW	37 kW	37 kW	...339930	...341643	TR007	2.2
KET 480	KET 480 Y/R	100 A	80 A	63 A	63 A	30 kW	40 A	37 kW	37 kW	37 kW	...339978	...341742	TR007	2.2
KET 4100	KET 4100 Y/R	125 A	100 A	100 A	100 A	55 kW	63 A	55 kW	55 kW	55 kW	...315279	...315316	TR01	4.5
KET 4125	KET 4125 Y/R	160 A	125 A	125 A	125 A	55 kW	80 A	75 kW	75 kW	75 kW	...339275	...339282	TR01	4.5
KET 4160	KET 4160 Y/R	160 A	160 A	160 A	160 A	90 kW	100 A	90 kW	90 kW	90 kW	...339312	...339329	TR02	9.9
KET 4200	KET 4200 Y/R	200 A	200 A	200 A	200 A	110 kW	200 A	160 kW	160 kW	160 kW	...341315	...341339	TR03	20
KET 4200C	KET 4200C Y/R	200 A	200 A*	200 A	200 A	110 kW	-	-	-	-	...341346	...341353	TR02	7.7
KET 4250	KET 4250 Y/R	250 A	250 A	250 A	250 A	132 kW	250 A	250 kW	250 kW	250 kW	...341711	...341698	TR03	20
KET 4250C	KET 4250C Y/R	250 A	250 A*	250 A	250 A	132 kW	-	-	-	-	...341773	...341780	TR02	7.7
KET 4315	KET 4315 Y/R	315 A	315 A	315 A	315 A	160 kW	315 A	315 kW	315 kW	315 kW	...337547	...337554	TR03	20
KET 4400	KET 4400 Y/R	400 A	400 A	400 A	400 A	200 kW	400 A	355 kW	355 kW	355 kW	...337967	...337974	TR03	20
KET 4630	KET 4630 Y/R	630 A	630 A	630 A	630 A	355 kW	630 A	630 kW	630 kW	630 kW	...338346	...338353	TR04	40
KET 4800T	KET 4800T Y/R	800 A	800 A	800 A	800 A	400 kW	800 A	800 kW	800 kW	800 kW	...342015	...363805	TR05	62
KET 41000T	KET 41000T Y/R	1000 A	1000 A	1000 A	1000 A	560 kW	1000 A	800 kW	800 kW	800 kW	...342022	...363812	TR05	77
KET 41250T	KET 41250T Y/R	1250 A	1250 A	1250 A	1250 A	710 kW	1250 A	1000 kW	1000 kW	1000 kW	...342039	...363829	TR05	77
KET 41600T	KET 41600T Y/R	1600 A	1600 A	1600 A	1600 A	900 kW	1600 A	1200 kW	1200 kW	1200 kW	...342046	...363836	TR05	87
6-pole														
KET 616	KET 616 Y/R	25 A	16 A	16 A	16 A	7,5 kW	16 A	11 kW	11 kW	11 kW	...339824	...341537	TR007	2.4
KET 625	KET 625 Y/R	40 A	25 A	25 A	25 A	11 kW	25 A	22 kW	22 kW	22 kW	...339862	...341575	TR007	2.4
KET 640	KET 640 Y/R	63 A	40 A	40 A	40 A	22 kW	32 A	30 kW	30 kW	30 kW	...339909	...341612	TR007	2.4
KET 663	KET 663 Y/R	80 A	63 A	40 A	40 A	22 kW	40 A	37 kW	37 kW	37 kW	...339947	...341650	TR007	2.4
KET 680	KET 680 Y/R	100 A	80 A	63 A	63 A	30 kW	40 A	37 kW	37 kW	37 kW	...339985	...341759	TR007	2.4
KET 6100	KET 6100 Y/R	125 A	100 A	100 A	100 A	55 kW	63 A	55 kW	55 kW	55 kW	...315286	...315323	TR02	8.6
KET 6125	KET 6125 Y/R	160 A	125 A	125 A	125 A	55 kW	80 A	75 kW	75 kW	75 kW	...338902	...341254	TR02	8.6
KET 6160	KET 6160 Y/R	160 A	160 A	160 A	160 A	90 kW	100 A	90 kW	90 kW	90 kW	...338926	...341278	TR02	8.6
KET 6200	KET 6200 Y/R	200 A	200 A	200 A	200 A	110 kW	200 A	160 kW	160 kW	160 kW	...341438	...341445	TR04	40
KET 6250	KET 6250 Y/R	250 A	250 A	250 A	250 A	132 kW	250 A	250 kW	250 kW	250 kW	...341834	...341841	TR04	40
KET 6315	KET 6315 Y/R	315 A	315 A	315 A	315 A	160 kW	315 A	315 kW	315 kW	315 kW	...337561	...337707	TR06	36
KET 6400	KET 6400 Y/R	400 A	400 A	400 A	400 A	200 kW	400 A	355 kW	355 kW	355 kW	...338100	...338117	TR06	36
8-pole														
KET 816	KET 816 Y/R	25 A	16 A	16 A	16 A	7,5 kW	16 A	11 kW	11 kW	11 kW	...339831	...341544	TR007	2.5
KET 825	KET 825 Y/R	40 A	25 A	25 A	25 A	11 kW	25 A	22 kW	22 kW	22 kW	...339879	...341582	TR007	2.5
KET 840	KET 840 Y/R	63 A	40 A	40 A	40 A	22 kW	32 A	30 kW	30 kW	30 kW	...339916	...341629	TR007	2.5
KET 863	KET 863 Y/R	80 A	63 A	40 A	40 A	22 kW	40 A	37 kW	37 kW	37 kW	...339954	...341667	TR007	2.5
KET 880	KET 880 Y/R	100 A	80 A	63 A	63 A	30 kW	40 A	37 kW	37 kW	37 kW	...339992	...341766	TR007	2.5
KET 8100	KET 8100 Y/R	125 A	100 A	100 A	100 A	55 kW	63 A	55 kW	55 kW	55 kW	...315293	...315330	TR02	8.8
KET 8125	KET 8125 Y/R	160 A	125 A	125 A	125 A	55 kW	80 A	75 kW	75 kW	75 kW	...338919	...341261	TR02	8.8
KET 8160	KET 8160 Y/R	160 A	160 A	160 A	160 A	90 kW	100 A	90 kW	90 kW	90 kW	...338933	...341285	TR02	8.8

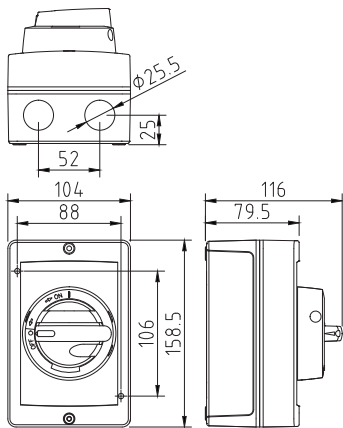
* 400/415 V **240 V

ALUMINIUM ENCLOSED SAFETY SWITCHES / ISOLATORS 16-250 A

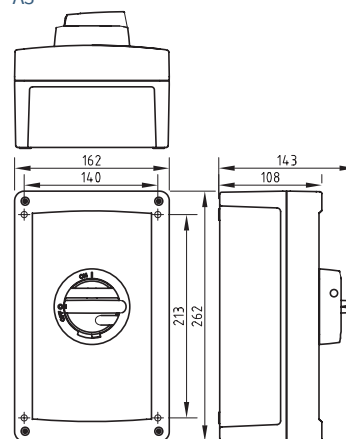


- IP66NW; Enclosure types A2 (AS/NZS 60947,3:2018)
- IP66; Enclosure types A3
- IP65; Enclosure types A4, A5
- IK08; A2, A3 (Degree of mechanical impact)
- IK10: A4, A5
- Wide operating temperature range
- Good resistance against many chemicals
- Good UV resistance
- Excellent for hard weather conditions
- Padlockable
- Door interlock with defeat mechanism

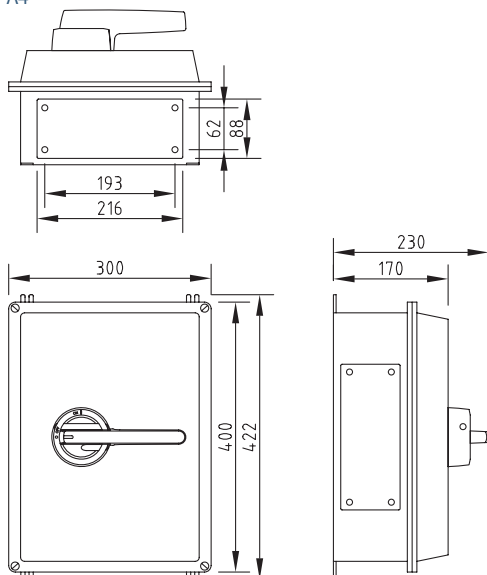
A2



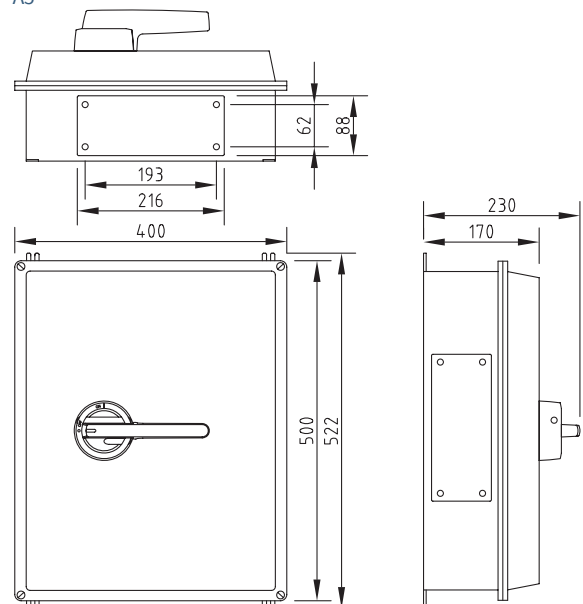
A3



A4



A5



ALUMINIUM ENCLOSED SAFETY SWITCHES / ISOLATORS 16-250 A

Type		AC-21	AC-22	AC-23	AC-23	690 V	EAN-Code		Enclosure	Weight kg	
							6419410...				
Grey/black	Yellow/red	400 V 415 V 690 V	400 V 415 V 690 V	I _e / A	P / kW	I _e / A	P / kW	Grey/black	Yellow/red		
1-pole											
KEA 116U	KEA 116U Y/R	25 A*	16 A*	16 A	3 kW**	16 A	-	...351581	...351598	A2	0.8
KEA 125U	KEA 125U Y/R	40 A*	25 A*	25 A	4 kW**	25 A	-	...351604	...351611	A2	0.8
KEA 140U	KEA 140U Y/R	63 A*	40 A*	40 A	7,5 kW**	32 A	-	...351628	...351635	A2	0.8
KEA 163U	KEA 163U Y/R	80 A*	63 A*	40 A	7,5 kW**	40 A	-	...351642	...351659	A3	2
2-pole											
KEA 216U	KEA 216U Y/R	25 A*	16 A*	16 A	3 kW**	16 A	-	...351666	...351673	A2	0.8
KEA 225U	KEA 225U Y/R	40 A*	25 A*	25 A	4 kW**	25 A	-	...351680	...351697	A2	0.8
KEA 240U	KEA 240U Y/R	63 A*	40 A*	40 A	7,5 kW**	32 A	-	...351703	...351710	A2	0.8
KEA 263U	KEA 263U Y/R	80 A*	63 A*	40 A	7,5 kW**	40 A	-	...351727	...351734	A3	2
3-pole											
KEA 316U	KEA 316U Y/R	25 A	16 A	16 A	7.5 kW	16 A	11 kW	...330036	...330043	A2	0.8
KEA 325U	KEA 325U Y/R	40 A	25 A	25 A	11 kW	25 A	22 kW	...330234	...330241	A2	0.8
KEA 340U	KEA 340U Y/R	63 A	40 A	40 A	22 kW	32 A	30 kW	...330432	...330449	A2	0.8
KEA 363U	KEA 363U Y/R	80 A	63 A	40 A	22 kW	40 A	37 kW	...329566	...329740	A3	2
KEA 380U	KEA 380U Y/R	100 A	80 A	63 A	30 kW	40 A	37 kW	...329603	...329788	A3	2
KEA 3100U	KEA 3100U Y/R	125 A	100 A	100 A	55 kW	63 A	55 kW	...315347	...315385	A3	3.5
KEA 3125U	KEA 3125U Y/R	160 A	125 A	125 A	55 kW	80 A	75 kW	...329641	...329825	A3	3.5
KEA 3160U	KEA 3160U Y/R	160 A	160 A	160 A	90 kW	100 A	90 kW	...329665	...329849	A3	3.5
KEA 3200	KEA 3200 Y/R	200 A	200 A	200 A	110 kW	200 A	160 kW	...332641	...332658	A5	14
KEA 3200C	KEA 3200C Y/R	200 A	200 A*	200 A	110 kW	-	-	...332900	...332917	A4	8.6
KEA 3250	KEA 3250 Y/R	250 A	250 A	250 A	132 kW	250 A	250 kW	...332665	...332672	A5	14
KEA 3250C	KEA 3250C Y/R	250 A	250 A*	250 A	132 kW	-	-	...332924	...332931	A4	8.6
4-pole											
KEA 416U	KEA 416U Y/R	25 A	16 A	16 A	7.5 kW	16 A	11 kW	...330050	...330067	A2	0.9
KEA 425U	KEA 425U Y/R	40 A	25 A	25 A	11 kW	25 A	22 kW	...330258	...330265	A2	0.9
KEA 440U	KEA 440U Y/R	63 A	40 A	40 A	22 kW	32 A	30 kW	...330456	...330463	A2	0.9
KEA 463U	KEA 463U Y/R	80 A	63 A	40 A	22 kW	40 A	37 kW	...329573	...329757	A3	2.1
KEA 480U	KEA 480U Y/R	100 A	80 A	63 A	30 kW	40 A	37 kW	...329610	...329795	A3	2.1
KEA 4100U	KEA 4100U Y/R	125 A	100 A	100 A	55 kW	63 A	55 kW	...315354	...315392	A3	3.6
KEA 4125U	KEA 4125U Y/R	160 A	125 A	125 A	55 kW	80 A	75 kW	...329658	...329832	A3	3.6
KEA 4160U	KEA 4160U Y/R	160 A	160 A	160 A	90 kW	100 A	90 kW	...329672	...329856	A3	3.6
KEA 4200	KEA 4200 Y/R	200 A	200 A	200 A	110 kW	200 A	160 kW	...358061	...358078	A5	14.1
KEA 4200C	KEA 4200C Y/R	200 A	200 A*	200 A	110 kW	-	-	...332948	...332955	A4	8.7
KEA 4250	KEA 4250 Y/R	250 A	250 A	250 A	132 kW	250 A	250 kW	...358085	...358092	A5	14.1
KEA 4250C	KEA 4250C Y/R	250 A	250 A*	250 A	132 kW	-	-	...332962	...332979	A4	8.7
6-pole											
KEA 616U	KEA 616U Y/R	25 A	16 A	16 A	7.5 kW	16 A	11 kW	...329504	...329689	A3	2.3
KEA 625U	KEA 625U Y/R	40 A	25 A	25 A	11 kW	25 A	22 kW	...329528	...329702	A3	2.3
KEA 640U	KEA 640U Y/R	63 A	40 A	40 A	22 kW	32 A	30 kW	...329542	...329726	A3	2.3
KEA 663U	KEA 663U Y/R	80 A	63 A	40 A	22 kW	40 A	37 kW	...329580	...329764	A3	2.3
KEA 680U	KEA 680U Y/R	100 A	80 A	63 A	30 kW	40 A	37 kW	...329627	...329801	A3	2.3
KEA 6100U	KEA 6100U Y/R	125 A	100 A	100 A	55 kW	63 A	55 kW	...315361	...315408	A4	9.9
KEA 6125	KEA 6125 Y/R	160 A	125 A	125 A	55 kW	80 A	75 kW	...332207	...336007	A4	9.9
KEA 6160	KEA 6160 Y/R	160 A	160 A	160 A	90 kW	100 A	90 kW	...332603	...336410	A4	9.9
8-pole											
KEA 816U	KEA 816U Y/R	25 A	16 A	16 A	7.5 kW	16 A	11 kW	...329511	...329696	A3	2.4
KEA 825U	KEA 825U Y/R	40 A	25 A	25 A	11 kW	25 A	22 kW	...329535	...329719	A3	2.4
KEA 840U	KEA 840U Y/R	63 A	40 A	40 A	22 kW	32 A	30 kW	...329559	...329733	A3	2.4
KEA 863U	KEA 863U Y/R	80 A	63 A	40 A	22 kW	40 A	37 kW	...329597	...329771	A3	2.4
KEA 880U	KEA 880U Y/R	100 A	80 A	63 A	30 kW	40 A	37 kW	...329634	...329818	A3	2.4
KEA 8100U	KEA 8100U Y/R	125 A	100 A	100 A	55 kW	63 A	55 kW	...315378	...315415	A4	10
KEA 8125	KEA 8125 Y/R	160 A	125 A	125 A	55 kW	80 A	75 kW	...332221	...336021	A4	10
KEA 8160	KEA 8160 Y/R	160 A	160 A	160 A	90 kW	100 A	90 kW	...332627	...336427	A4	10

* 400/415 V

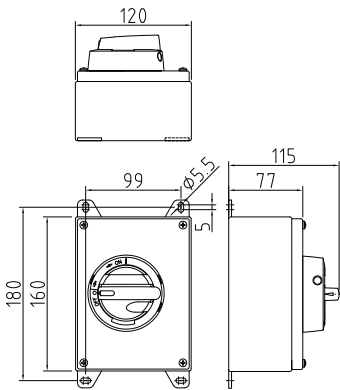
**240 V

STAINLESS STEEL ENCLOSED SAFETY SWITCHES / ISOLATORS 16-1600 A

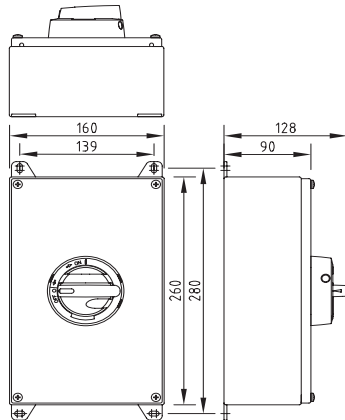


- IP66; Enclosure types H23, H32, H02 (AISI 316, acid proof)
- IP65; Enclosure types H03, H04, H06, H07, H08 (AISI 304 as standard, AISI 316 on request)
- Where hygiene and good protection against corrosion are required
- Padlockable
- Door interlock with defeat mechanism

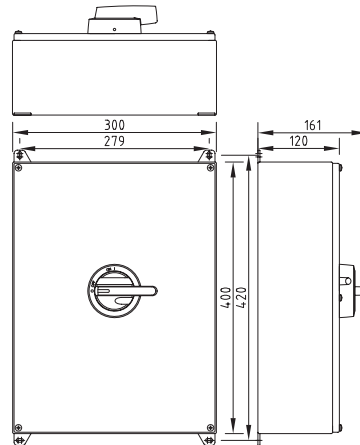
H23



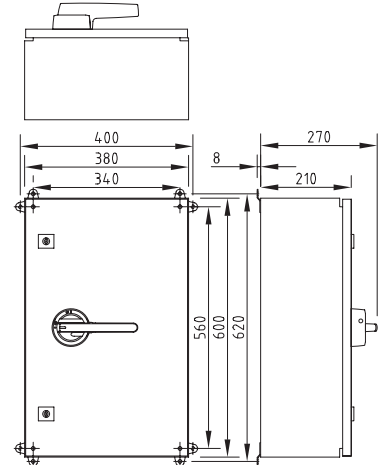
H32



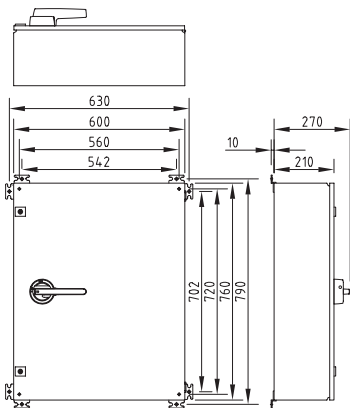
H02



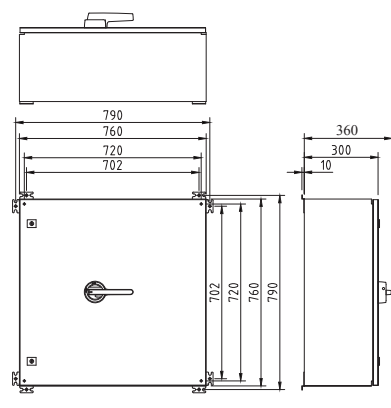
H03



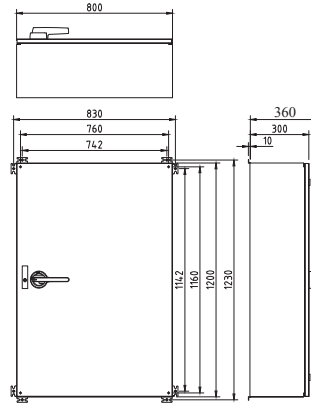
H04



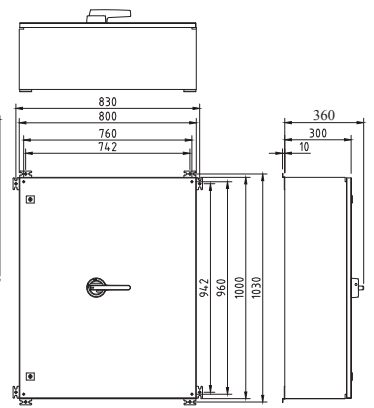
H06



H07



H08



STAINLESS STEEL ENCLOSED SAFETY SWITCHES / ISOLATORS 16-1600 A

Type		AC-21	400 V		AC-22	400 V		AC-23	400 V		AC-23	690 V	EAN-Code 6419410...		Enclosure	Weight kg	
			415 V	690 V		415 V	690 V		415 V	690 V			Grey/black	Yellow/red			
Grey/black	Yellow/red	I _n / A		I _n / A		I _n / A		P / kW		I _n / A		P / kW		Grey/black	Yellow/red		
3-pole																	
KER 316	KER 316 Y/R	25 A	16 A	16 A	7.5 kW	16 A	11 kW	...343005	...343050	H23	1.2						
KER 325	KER 325 Y/R	40 A	25 A	25 A	11 kW	25 A	22 kW	...343203	...343258	H23	1.2						
KER 340	KER 340 Y/R	63 A	40 A	40 A	22 kW	32 A	30 kW	...343401	...343456	H23	1.2						
KER 363	KER 363 Y/R	80 A	63 A	40 A	22 kW	40 A	37 kW	...343562	...343579	H32	2.3						
KER 380	KER 380 Y/R	100 A	80 A	63 A	30 kW	40 A	37 kW	...343609	...343616	H32	2.3						
KER 3100	KER 3100 Y/R	125 A	100 A	80 A	45 kW	63 A	55 kW	...315187	...315224	H32	2.3						
KER 3125	KER 3125 Y/R	160 A	125 A	125 A	55 kW	80 A	75 kW	...343647	...343654	H32	2.3						
KER 3160	KER 3160 Y/R	160 A	160 A	160 A	90 kW	100 A	90 kW	...343685	...343692	H02	6.9						
KER 3200	KER 3200 Y/R	200 A	200 A	200 A	110 kW	200 A	160 kW	...343722	...343739	H03	15						
KER 3200C	KER 3200C Y/R	200 A	200 A*	200 A	110 kW	-	-	...347805	...347812	H02	7.7						
KER 3250	KER 3250 Y/R	250 A	250 A	250 A	132 kW	250 A	250 kW	...343784	...343791	H03	15						
KER 3250C	KER 3250C Y/R	250 A	250 A*	250 A	132 kW	-	-	...347829	...347836	H02	7.7						
KER 3315	KER 3315 Y/R	315 A	315 A	315 A	160 kW	315 A	315 kW	...343845	...343852	H03	16						
KER 3400	KER 3400 Y/R	400 A	400 A	400 A	200 kW	400 A	355 kW	...343906	...343913	H03	16						
KER 3630	KER 3630 Y/R	630 A	630 A	630 A	355 kW	630 A	630 kW	...343968	...343975	H04	25						
KER 3800	KER 3800 Y/R	800 A	800 A	800 A	400 kW	800 A	800 kW	...305645	...305652	H08	75						
KER 31000	KER 31000 Y/R	1000 A	1000 A	1000 A	560 kW	1000 A	800 kW	...305669	...305676	H07	80						
KER 31250	KER 31250 Y/R	1250 A	1250 A	1250 A	710 kW	1250 A	1000 kW	...305683	...305690	H07	90						
KER 31600	KER 31600 Y/R	1600 A	1600 A	1600 A	900 kW	1600 A	1200 kW	...305706	...305713	H07	100						
4-pole																	
KER 416	KER 416 Y/R	25 A	16 A	16 A	7.5 kW	16 A	11 kW	...343104	...343159	H23	1.3						
KER 425	KER 425 Y/R	40 A	25 A	25 A	11 kW	25 A	22 kW	...343302	...343357	H23	1.3						
KER 440	KER 440 Y/R	63 A	40 A	40 A	22 kW	32 A	30 kW	...343500	...343555	H23	1.3						
KER 463	KER 463 Y/R	80 A	63 A	40 A	22 kW	40 A	37 kW	...343586	...343593	H32	2.4						
KER 480	KER 480 Y/R	100 A	80 A	63 A	30 kW	40 A	37 kW	...343623	...343630	H32	2.4						
KER 4100	KER 4100 Y/R	125 A	100 A	80 A	45 kW	63 A	55 kW	...315194	...315231	H32	2.4						
KER 4125	KER 4125 Y/R	160 A	125 A	125 A	55 kW	80 A	75 kW	...343661	...343678	H32	2.4						
KER 4160	KER 4160 Y/R	160 A	160 A	160 A	90 kW	100 A	90 kW	...343708	...343715	H02	7						
KER 4200	KER 4200 Y/R	200 A	200 A	200 A	110 kW	200 A	160 kW	...343746	...343753	H03	16						
KER 4200C	KER 4200C Y/R	200 A	200 A*	200 A	110 kW	-	-	...347843	...347850	H02	7.8						
KER 4250	KER 4250 Y/R	250 A	250 A	250 A	132 kW	250 A	250 kW	...343807	...343814	H03	16						
KER 4250C	KER 4250C Y/R	250 A	250 A*	250 A	132 kW	-	-	...347867	...347874	H02	7.8						
KER 4315	KER 4315 Y/R	315 A	315 A	315 A	160 kW	315 A	315 kW	...343869	...343876	H03	16						
KER 4400	KER 4400 Y/R	400 A	400 A	400 A	200 kW	400 A	355 kW	...343920	...343937	H03	16						
KER 4630	KER 4630 Y/R	630 A	630 A	630 A	355 kW	630 A	630 kW	...344002	...344019	H04	26						
KER 4800	KER 4800 Y/R	800 A	800 A	800 A	400 kW	800 A	800 kW	...363843	...363881	H08	77						
KER 41000	KER 41000 Y/R	1000 A	1000 A	1000 A	560 kW	1000 A	800 kW	...363850	...363898	H07	82						
KER 41250	KER 41250 Y/R	1250 A	1250 A	1250 A	710 kW	1250 A	1000 kW	...363867	...363904	H07	92						
KER 41600	KER 41600 Y/R	1600 A	1600 A	1600 A	900 kW	1600 A	1200 kW	...363874	...363911	H07	102						
6-pole																	
KER 616	KER 616 Y/R	25 A	16 A	16 A	7.5 kW	16 A	11 kW	...342879	...342237	H32	2.5						
KER 625	KER 625 Y/R	40 A	25 A	25 A	11 kW	25 A	22 kW	...342893	...342251	H32	2.5						
KER 640	KER 640 Y/R	63 A	40 A	40 A	22 kW	32 A	30 kW	...342916	...342275	H32	2.5						
KER 663	KER 663 Y/R	80 A	63 A	40 A	22 kW	40 A	37 kW	...342930	...342299	H32	2.5						
KER 680	KER 680 Y/R	100 A	80 A	63 A	30 kW	40 A	37 kW	...342954	...342312	H32	2.5						
KER 6100	KER 6100 Y/R	125 A	100 A	80 A	45 kW	63 A	55 kW	...315200	...315248	H02	7.3						
KER 6125	KER 6125 Y/R	160 A	125 A	125 A	55 kW	80 A	75 kW	...342978	...342336	H02	7.3						
KER 6160	KER 6160 Y/R	160 A	160 A	160 A	90 kW	100 A	90 kW	...342992	...342367	H02	7.3						
KER 6200	KER 6200 Y/R	200 A	200 A	200 A	110 kW	200 A	160 kW	...343760	...343777	H04	25						
KER 6250	KER 6250 Y/R	250 A	250 A	250 A	132 kW	250 A	250 kW	...343821	...343838	H04	25						
KER 6315	KER 6315 Y/R	315 A	315 A	315 A	160 kW	315 A	315 kW	...343883	...343890	H06	26						
KER 6400	KER 6400 Y/R	400 A	400 A	400 A	200 kW	400 A	355 kW	...343944	...343951	H06	26						
8-pole																	
KER 816	KER 816 Y/R	25 A	16 A	16 A	7.5 kW	16 A	11 kW	...342886	...342244	H32	2.6						
KER 825	KER 825 Y/R	40 A	25 A	25 A	11 kW	25 A	22 kW	...342909	...342268	H32	2.6						
KER 840	KER 840 Y/R	63 A	40 A	40 A	22 kW	32 A	30 kW	...342923	...342282	H32	2.6						
KER 863	KER 863 Y/R	80 A	63 A	40 A	22 kW	40 A	37 kW	...342947	...342305	H32	2.6						
KER 880	KER 880 Y/R	100 A	80 A	63 A	30 kW	40 A	37 kW	...342961	...342329	H32	2.6						
KER 8100	KER 8100 Y/R	125 A	100 A	100 A	55 kW	63 A	55 kW	...315217	...315255	H02	7.5						
KER 8125	KER 8125 Y/R	160 A	125 A	125 A	55 kW	80 A	75 kW	...342985	...342350	H02	7.5						
KER 8160	KER 8160 Y/R	160 A	160 A	160 A	90 kW	100 A	90 kW	...343012	...342374	H02	7.5						

* 400/415 V

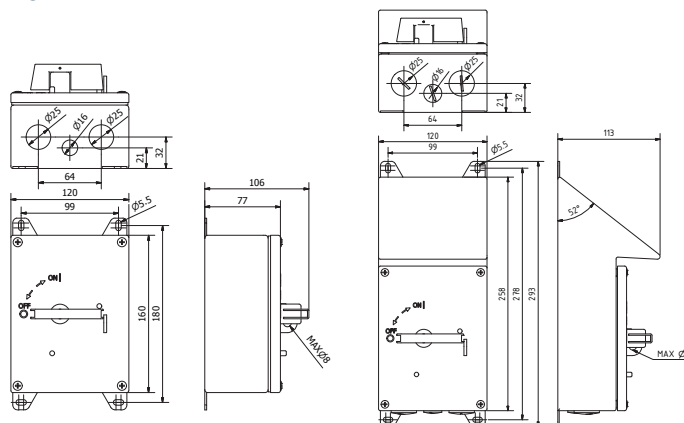
STAINLESS STEEL ENCLOSED SAFETY SWITCHES / ISOLATORS 16-160A



- Designed for hygienic and heavy environments
- Easy to install and to keep clean
- IP66, stainless steel enclosure
- Acid proof, AISI 316
- Rainhood protection with angled top
- Padlockable stainless steel handle

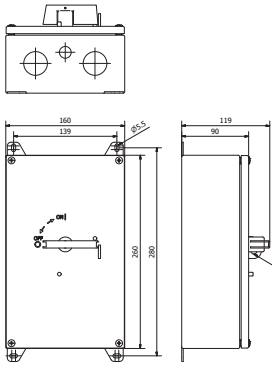
H23T

H24T

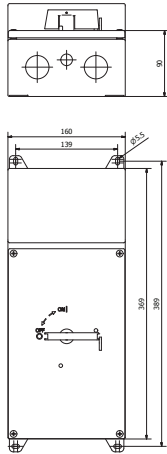


Type		AC-21	400 V 415 V 690 V	AC-22	400 V 415 V 690 V	AC-23	400 V 415 V	AC-23	690 V	EAN-Code 6419410...		Enclosure & handle		Weight kg		
Without angled top	With angled top									Without angled top	With angled top	Without angled top	With angled top	Without angled top	With angled top	
		I_n / A		I_n / A	I_n / A	P / kW	I_n / A	P / kW								
3-pole																
KER 316R	KER 316RS	25 A		16 A	16 A	7.5 kW	16 A	11 kW	...	306550	...	306611	H23T	H24T	1.2	1.7
KER 325R	KER 325RS	40 A		25 A	25 A	11 kW	25 A	22 kW	...	306567	...	306628	H23T	H24T	1.2	1.7
KER 340R	KER 340RS	63 A		40 A	40 A	22 kW	32 A	30 kW	...	306574	...	306635	H23T	H24T	1.2	1.7
KER 363R	KER 363RS	80 A		63 A	40 A	22 kW	40 A	37 kW	...	306703	...	307052	H32T	H34T	2,3	2,9
KER 380R	KER 380RS	100 A		80 A	63 A	30 kW	40 A	37 kW	...	306710	...	307069	H32T	H34T	2,3	2,9
KER 3125R	KER 3125RS	160 A		125 A	125 A	55 kW	80 A	75 kW	...	357828	...	357835	H02T	H02TR	6,9	8
KER 3160R	KER 3160RS	160 A		160 A	160 A	90 kW	100 A	90 kW	...	357842	...	357859	H02T	H02TR	6,9	8
KER 3200CR	KER 3200CRS	200 A		200 A (400/415 V)	200 A	110 kW	-	-	...	358571	...	358566	H02T	H02TR	7	8,1
4-pole																
KER 416R	KER 416RS	25 A		16 A	16 A	7.5 kW	16 A	11 kW	...	306581	...	306642	H23T	H24T	1.3	1.8
KER 425R	KER 425RS	40 A		25 A	25 A	11 kW	25 A	22 kW	...	306598	...	306659	H23T	H24T	1.3	1.8
KER 440R	KER 440RS	63 A		40 A	40 A	22 kW	32 A	30 kW	...	306604	...	306666	H23T	H24T	1.3	1.8
KER 463R	KER 463RS	80 A		63 A	40 A	22 kW	40 A	37 kW	...	306727	...	307076	H32T	H34T	2,4	3,0
KER 480R	KER 480RS	100 A		80 A	63 A	30 kW	40 A	37 kW	...	306734	...	307083	H32T	H34T	2,4	3,0
KER 4125R	KER 4125RS	160 A		125 A	125 A	55 kW	80 A	75 kW	...	305720	...	305737	H02T	H02TR	7	8,1
KER 4160R	KER 4160RS	160 A		160 A	160 A	90 kW	100 A	90 kW	...	305744	...	305751	H02T	H02TR	7	8,1
6-pole																
KER 616R	KER 616RS	25 A		16 A	16 A	7.5 kW	16 A	11 kW	...	306741	...	348031	H32T	H34T	2,5	3,1
KER 625R	KER 625RS	40 A		25 A	25 A	11 kW	25 A	22 kW	...	306758	...	348048	H32T	H34T	2,5	3,1
KER 640R	KER 640RS	63 A		40 A	40 A	22 kW	32 A	30 kW	...	306765	...	348055	H32T	H34T	2,5	3,1
KER 663R	KER 663RS	80 A		63 A	40 A	22 kW	40 A	37 kW	...	306772	...	348062	H32T	H34T	2,5	3,1
KER 680R	KER 680RS	100 A		80 A	63 A	30 kW	40 A	37 kW	...	306789	...	348079	H32T	H34T	2,5	3,1
KER 6125R	KER 6125RS	160 A		125 A	125 A	55 kW	80 A	75 kW	...	306680	...	348086	H02T	H02TR	7,4	8,45

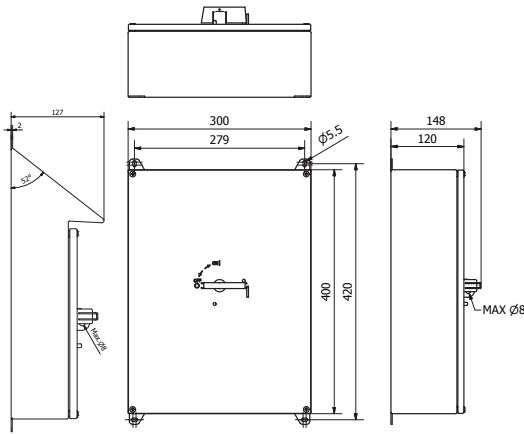
H32T



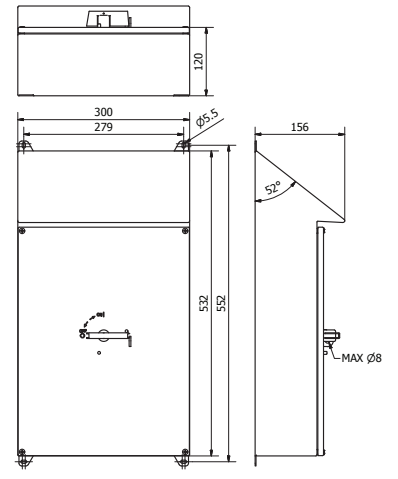
H34T



H02T



H02TR

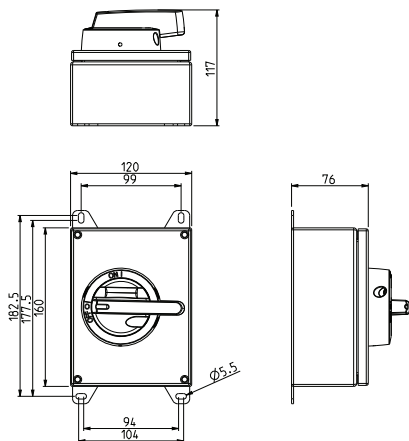


STAINLESS STEEL ENCLOSED SAFETY SWITCHES / ISOLATORS IP69K 16-125A

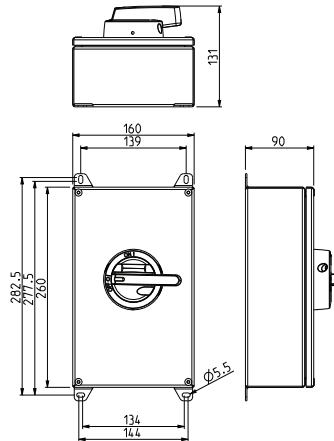


- IP69K rating
- LK11 handle (Black or yellow/red)
- Where hygiene and good protection against corrosion are required
- Padlockable
- Door interlock with defeat mechanism

H23



H32



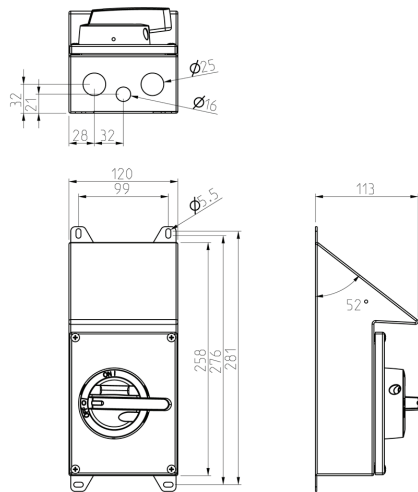
Type		AC-22	400 V		AC-23	400 V		AC-23	690 V	EAN code		Enclosure	Weight
			415 V	690 V		415 V	690 V			6419410...			
Black	Yellow/Red	I _n / A	I _n / A	P / kW	I _n / A	P / kW	I _n / A	P / kW	Black	Yellow/Red		kg	
3 poles													
KER 316 IP69K	KER 316 Y/R IP69K	16 A	16 A	7.5 kW	16 A	11 kW	16 A	11 kW	H23	1.2	
KER 325 IP69K	KER 325 Y/R IP69K	25 A	25 A	11 kW	25 A	22 kW	25 A	22 kW	H23	1.2	
KER 340 IP69K	KER 340 Y/R IP69K	40 A	40 A	22 kW	32 A	30 kW	32 A	30 kW	H23	1.2	
KER 363 IP69K	KER 363 Y/R IP69K	63 A	40 A	22 kW	40 A	37 kW	40 A	37 kW	H32	2.3	
KER 380 IP69K	KER 380 Y/R IP69K	80 A	63 A	30 kW	40 A	37 kW	40 A	37 kW	H32	2.3	
KER 3100 IP69K	KER 3100 Y/R IP69K	100 A	80 A	45 kW	63 A	55 kW	63 A	55 kW	H32	2.3	
KER 3125 IP69K	KER 3125 Y/R IP69K	125 A	125 A	55 kW	80 A	75 kW	80 A	75 kW	H32	2.3	
4 poles													
KER 416 IP69K	KER 416 Y/R IP69K	16 A	16 A	7.5 kW	16 A	11 kW	16 A	11 kW	H23	1.3	
KER 425 IP69K	KER 425 Y/R IP69K	25 A	25 A	11 kW	25 A	22 kW	25 A	22 kW	H23	1.3	
KER 440 IP69K	KER 440 Y/R IP69K	40 A	40 A	22 kW	32 A	30 kW	32 A	30 kW	H23	1.3	
KER 463 IP69K	KER 463 Y/R IP69K	63 A	40 A	22 kW	40 A	37 kW	40 A	37 kW	H32	2.4	
KER 480 IP69K	KER 480 Y/R IP69K	80 A	63 A	30 kW	40 A	37 kW	40 A	37 kW	H32	2.4	
KER 4100 IP69K	KER 4100 Y/R IP69K	100 A	80 A	45 kW	63 A	55 kW	63 A	55 kW	H32	2.4	
KER 4125 IP69K	KER 4125 Y/R IP69K	125 A	125 A	55 kW	80 A	75 kW	80 A	75 kW	H32	2.4	
6 poles													
KER 616 IP69K	KER 616 Y/R IP69K	16 A	16 A	7.5 kW	16 A	11 kW	16 A	11 kW	H32	2.9	
KER 625 IP69K	KER 625 Y/R IP69K	25 A	25 A	11 kW	25 A	22 kW	25 A	22 kW	H32	2.9	
KER 640 IP69K	KER 640 Y/R IP69K	40 A	40 A	22 kW	32 A	30 kW	32 A	30 kW	H32	2.9	
KER 663 IP69K	KER 663 Y/R IP69K	63 A	40 A	22 kW	40 A	37 kW	40 A	37 kW	H32	2.9	
KER 680 IP69K	KER 680 Y/R IP69K	80 A	63 A	30 kW	40 A	37 kW	40 A	37 kW	H32	2.9	
8 poles													
KER 816 IP69K	KER 816 Y/R IP69K	16 A	16 A	7.5 kW	16 A	11 kW	16 A	11 kW	H32	3	
KER 825 IP69K	KER 825 Y/R IP69K	25 A	25 A	11 kW	25 A	22 kW	25 A	22 kW	H32	3	
KER 840 IP69K	KER 840 Y/R IP69K	40 A	40 A	22 kW	32 A	30 kW	32 A	30 kW	H32	3	
KER 863 IP69K	KER 863 Y/R IP69K	63 A	40 A	22 kW	40 A	37 kW	40 A	37 kW	H32	3	
KER 880 IP69K	KER 880 Y/R IP69K	80 A	63 A	30 kW	40 A	37 kW	40 A	37 kW	H32	3	

STAINLESS STEEL ENCLOSED SAFETY SWITCHES / ISOLATORS IP69K RAINHOOD PROTECTION 16-125A

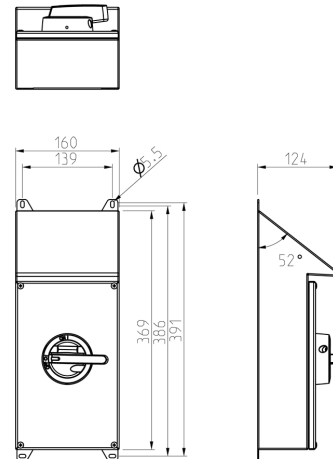


- IP69K rating
- LK11 handle (Black or yellow/red)
- Sloped roof for extra protection
- Where hygiene and good protection against corrosion are required
- Padlockable
- Door interlock with defeat mechanism

H24T



H34T

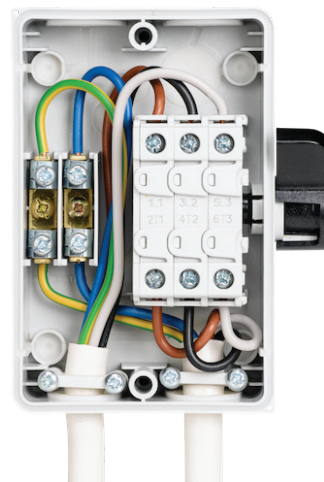
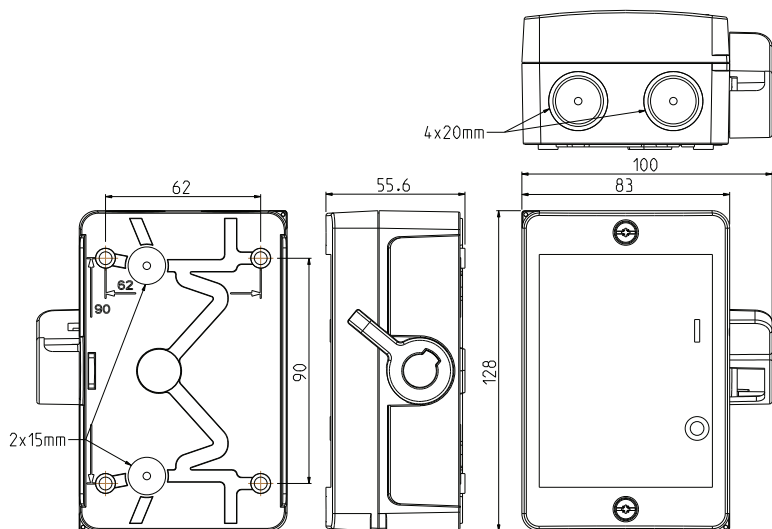


Type		AC-22		AC-23	AC-23		690 V	EAN code 6419410...		Enclosure	Weight
		400 V	415 V		400 V	415 V		Black	Yellow/Red		
Black	Yellow/Red	I _n / A		I _n / A	P / kW		P / kW	Black	Yellow/Red	kg	
3 poles											
KER 316S IP69K	KER 316S IP69K Y/R	16 A	16 A	16 A	7.5 kW	16 A	11 kW	...349724	...349861	H24T	1,7
KER 325S IP69K	KER 325S IP69K Y/R	25 A	25 A	25 A	11 kW	25 A	22 kW	...349731	...349878	H24T	1,7
KER 340S IP69K	KER 340S IP69K Y/R	40 A	40 A	40 A	22 kW	32 A	30 kW	...349748	...349885	H24T	1,7
KER 363S IP69K	KER 363S IP69K Y/R	63 A	40 A	40 A	22 kW	40 A	37 kW	...349755	...349892	H34T	2,9
KER 380S IP69K	KER 380S IP69K Y/R	80 A	63 A	40 A	30 kW	40 A	37 kW	...349762	...349908	H34T	2,9
KER 3100S IP69K	KER 3100S IP69K Y/R	100 A	80 A	63 A	45 kW	63 A	55 kW	...349779	...349915	H34T	2,9
KER 3125S IP69K	KER 3125S IP69K Y/R	125 A	125 A	80 A	55 kW	80 A	75 kW	...349786	...349922	H34T	2,9
4 poles											
KER 416S IP69K	KER 416S IP69K Y/R	16 A	16 A	16 A	7.5 kW	16 A	11 kW	...349793	...349939	H24T	1,8
KER 425S IP69K	KER 425S IP69K Y/R	25 A	25 A	25 A	11 kW	25 A	22 kW	...349809	...349946	H24T	1,8
KER 440S IP69K	KER 440S IP69K Y/R	40 A	40 A	40 A	22 kW	32 A	30 kW	...349816	...349953	H24T	1,8
KER 463S IP69K	KER 463S IP69K Y/R	63 A	40 A	40 A	22 kW	40 A	37 kW	...349823	...349960	H34T	3,0
KER 480S IP69K	KER 480S IP69K Y/R	80 A	63 A	40 A	30 kW	40 A	37 kW	...349830	...349977	H34T	3,0
KER 4100S IP69K	KER 4100S IP69K Y/R	100 A	80 A	63 A	45 kW	63 A	55 kW	...349847	...349984	H34T	3,0
KER 4125S IP69K	KER 4125S IP69K Y/R	125 A	125 A	80 A	55 kW	80 A	75 kW	...349854	...349991	H34T	3,0

SIDE OPERATED SWITCHES POLYCARBONATE ENCLOSED 16 A



- IP67 without cable glands, IP65 with cable glands.
- Fully rated Load Break Switch
- Good resistance against UV and many chemicals
- Membrane gasket cable entries with strain relief as standard 2 x 20mm on top, 2 x 20mm on bottom and 2 x 15mm on base.
- Wall mounting with membrane gaskets
- Wall mounting dimensions: 90,0 x 62,0
- Large 1,5 - 16 mm² cable terminals
- Padlockable handle to off-position
- Handle sealable to on-position
- Enclosure can be sealed in any position
- Available 2, 3, 4P and with auxiliary contact (S)
- Large 1,5 - 16 mm² Neutral and earth terminals on 3P switch, earth on 2P and 4P switches
- Door interlock



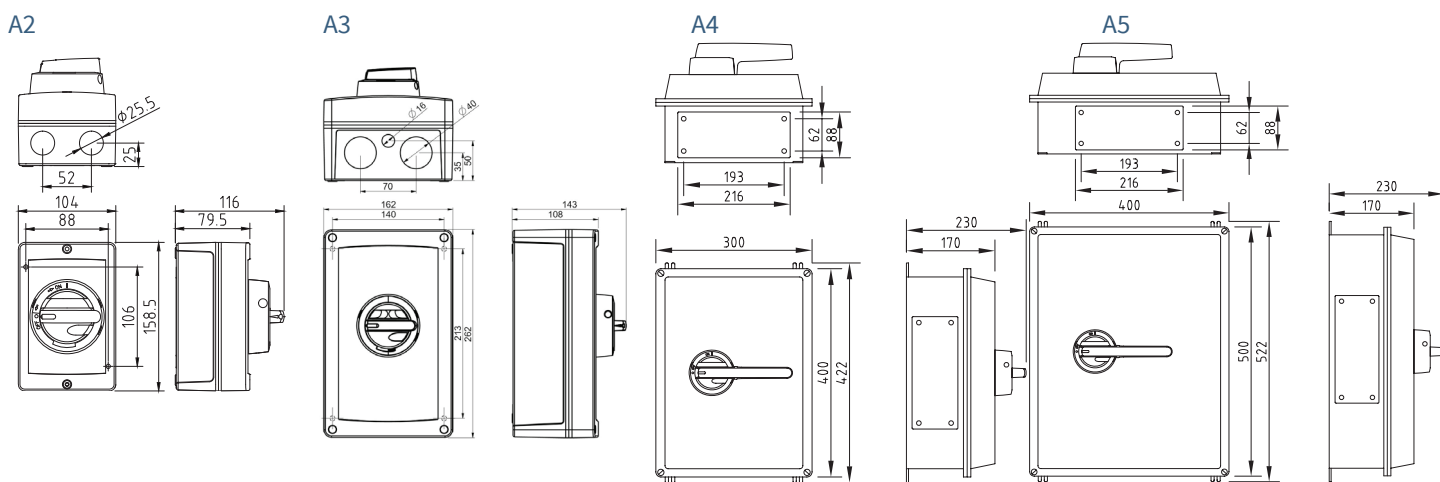
Type		AC-23 / 400 V	AC-23 / 690 V	Poles	Enclosure	EAN code 6419410...		Weight kg
Grey	Y/R					Grey	Y/R	
KSM 216U	KSM 216U Y/R	16 A/7,5 kW	--	2P	U1	...328347	...328170	0.21
KSM 316U	KSM 316U Y/R	16 A/7,5 kW	--	3P	U1	...328354	...328163	0.28
KSM 416U	KSM 416U Y/R	16 A/7,5 kW	--	4P	U1	...328361	...328187	0.28
KSM 316US	KSM 316US Y/R	16 A/7,5 kW	--	3P*	U1	...328378	...328194	0.31
KSM 225U	KSM 225U Y/R	25 A / 11 kW	--	2P	U1	...328385	...328460	0.21
KSM 325U	KSM 325U Y/R	25 A / 11 kW	--	3P	U1	...328392	...328477	0.28
KSM 425U	KSM 425U Y/R	25 A / 11 kW	--	4P	U1	...328408	...328484	0.28
KSM 325US	KSM 325US Y/R	25 A / 11 kW	--	3P*	U1	...328415	...328491	0.31

*with auxiliary contact, Y/R=yellow/red

FIRERATED ALUMINIUM ENCLOSED SAFETY SWITCHES / ISOLATORS 16-200A



- F200 3H (FR) / F300 2H (FR3)
- IP66NW rating in enclosures A2 (AS/NZS 60947,3:2018)
- IP66 rating in enclosures A3
- IP65 rating in enclosures A4 and A5
- Padlockable
- Door interlock with defeat mechanism
- ON-locking facility as option, add -LON to the end of type name. For example: KEA 316U FR -LON
- Good corrosion and UV resistance
- Excellent for hard weather conditions



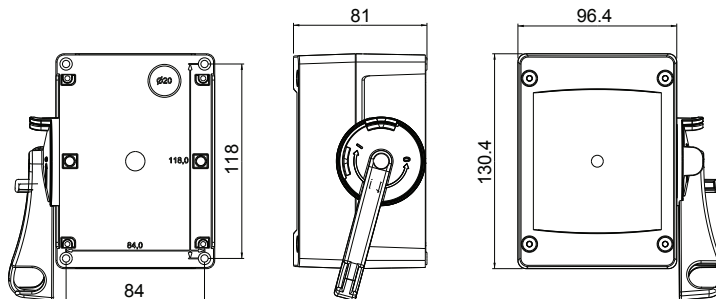
Type		AC-21		AC-22		AC-23		AC-23	690 V	EAN code		Enclosure	Weight kg
		400 V	415 V	400 V	415 V	400 V	415 V			F200	F300		
		I _c / A	690 V	I _c / A	690 V	I _c / A	P / kW	I _c / A**	P / kW**	6419410...			
		F200 3H	F300 2H							F200	F300		
3 poles													
KEA 316U FR	KEA 316U FR3	25 A		16 A		16 A	7.5 kW	16 A	11 kW	...305294	...333396	A2	0.8
KEA 325U FR	KEA 325U FR3	40 A		25 A		25 A	11 kW	25 A	22 kW	...305300	...333426	A2	0.8
KEA 340U FR	KEA 340U FR3	63 A		40 A		40 A	22 kW	32 A	30 kW	...305317	...333457	A2	0.8
KEA 363U FR	KEA 363U FR3	80 A		63 A		40 A	22 kW	40 A	37 kW	...305324	...333488	A3	2
KEA 380U FR	KEA 380U FR3	100 A		80 A		63 A	30 kW	40 A	37 kW	...305331	...333518	A3	2
KEA 3125 FR	KEA 3125 FR3	160 A		125 A		100 A	55 kW	80 A	55 kW	...305492	...333549	A4	8.6
KEA 3160 FR	KEA 3160 FR3	200 A		160 A		135 A	75 kW	125 A	90 kW	...333686	...333556	A4	8.6
KEA 3200C FR	KEA 3200C FR3	200 A		200 A*		200 A	110 kW	-	-	...305515	...333563	A4	8.6
4 poles													
KEA 416U FR	KEA 416U FR3	25 A		16 A		16 A	7.5 kW	16 A	11 kW	...305348	...333402	A2	0.9
KEA 425U FR	KEA 425U FR3	40 A		25 A		25 A	11 kW	25 A	22 kW	...305355	...333433	A2	0.9
KEA 440U FR	KEA 440U FR3	63 A		40 A		40 A	22 kW	32 A	30 kW	...305362	...333464	A2	0.9
KEA 463U FR	KEA 463U FR3	80 A		63 A		40 A	22 kW	40 A	37 kW	...305379	...333495	A3	2.1
KEA 480U FR	KEA 480U FR3	100 A		80 A		63 A	30 kW	40 A	37 kW	...305386	...333525	A3	2.1
KEA 4125 FR	KEA 4125 FR3	160 A		125 A		100 A	55 kW	80 A	55 kW	...305522	...333570	A4	8.7
KEA 4160 FR	KEA4160 FR3	200 A		160 A		135 A	75 kW	125 A	90 kW	...305539	...333587	A4	8.7
KEA 4200C FR	KEA 4200C FR3	200 A		200 A*		200 A	110 kW	-	-	...305546	...333594	A4	8.7
6 poles													
KEA 616U FR	KEA 616U FR3	25 A		16 A		16 A	7.5 kW	16 A	11 kW	...305393	...333419	A3	2.3
KEA 625U FR	KEA 625U FR3	40 A		25 A		25 A	11 kW	25 A	22 kW	...305409	...333440	A3	2.3
KEA 640U FR	KEA 640U FR3	63 A		40 A		40 A	22 kW	32 A	30 kW	...305416	...333471	A3	2.3
KEA 663U FR	KEA 663U FR3	80 A		63 A		40 A	22 kW	40 A	37 kW	...305423	...333501	A3	2.3
KEA 680U FR	KEA 680U FR3	100 A		80 A		63 A	30 kW	40 A	37 kW	...305430	...333532	A3	2.3
KEA 6125 FR	KEA 6125 FR3	160 A		125 A		100 A	55 kW	80 A	55 kW	...305553	...333600	A5	15
KEA 6160 FR	KEA 6160 FR3	200 A		160 A		135 A	75 kW	125 A	90 kW	...305560	...333617	A5	15
KEA 6200C FR	KEA 6200C FR3	200 A		200 A*		200 A	110 kW	-	-	...305577	...333624	A5	15
8 poles													
KEA 816U FR	KEA 816U FR3	25 A		16 A		16 A	7.5 kW	16 A	11 kW	...305447	...333631	A3	2.4
KEA 825U FR	KEA 825U FR3	40 A		25 A		25 A	11 kW	25 A	22 kW	...305454	...333648	A3	2.4
KEA 840U FR	KEA 840U FR3	63 A		40 A		40 A	22 kW	32 A	30 kW	...305461	...333655	A3	2.4
KEA 863U FR	KEA 863U FR3	80 A		63 A		40 A	22 kW	40 A	37 kW	...305478	...333662	A3	2.4
KEA 880U FR	KEA 880U FR3	100 A		80 A		63 A	30 kW	40 A	37 kW	...305485	...333679	A3	2.4

* 400/415 V ** Does not apply to FR3 models

SIDE OPERATED SWITCHES POLYCARBONATE ENCLOSED 16-40 A



- Available in grey/black, yellow/red or fireman red
- Good resistance against UV and many chemicals
- Self-extinguishing material and excellent insulating properties
- Fully rated Load Break Switch breaking capacity of 8 x AC23 rating
- Cable entries 2 x M20/M25 as standard on the top and bottom and M20 on the base
- Mounting holes: 118,0 x 84,0
- Padlockable handle in 0-position and also available in 1-position
- Knock-out glands are easy to open
- Large cable terminals 1,5 - 16 mm²
- IP66
- Auxiliary contact (normally open, NO) available ONLY when specifically ordered (add S to the product code, examples: KEF 316AS, KE 316AS Y/R)

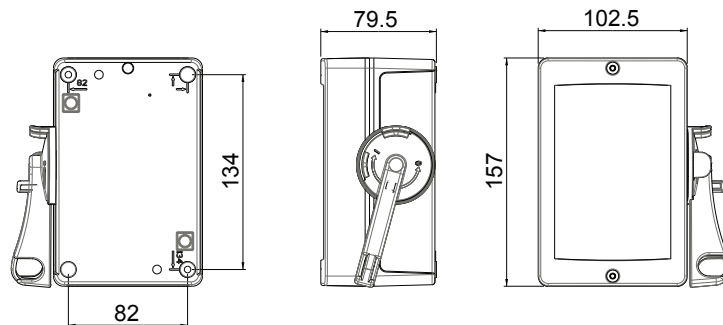


Type		AC-21	400 V	AC-22	400 V	AC-23	AC-23	AC-23	EAN-Code 6419410...	Enclosure	Weight kg		
			415 V		415 V							690 V	690 V
Grey/black	Yellow/red		I _n / A		I _n / A		I _n / A	P / kW					
3-pole													
KE 316M	KE 316M Y/R		16 A		16 A		16 A	7.5 kW	16 A	11 kW	...304006 ...304129	U2	0.5
KE 325M	KE 325M Y/R		25 A		25 A		25 A	11 kW	25 A	22 kW	...304013 ...304136	U2	0.5
KE 340M	KE 340M Y/R		40 A		40 A		40 A	22 kW	25 A	22 kW	...304020 ...304143	U2	0.5
4-pole													
KE 416M	KE 416M Y/R		16 A		16 A		16 A	7.5 kW	16 A	11 kW	...304037 ...304150	U2	0.5
KE 425M	KE 425M Y/R		25 A		25 A		25 A	11 kW	25 A	22 kW	...304044 ...304167	U2	0.5
KE 440M	KE 440M Y/R		40 A		40 A		40 A	22 kW	25 A	22 kW	...304051 ...304174	U2	0.5
Fireman version													
3-pole													
KEF 316M			16 A		16 A		16 A	7.5 kW	16 A	11 kW	...304365	U2	0.5
KEF 325M			25 A		25 A		25 A	11 kW	25 A	22 kW	...304372	U2	0.5
KEF 340M			40 A		40 A		40 A	22 kW	25 A	22 kW	...304389	U2	0.5
4-pole													
KEF 416M			16 A		16 A		16 A	7.5 kW	16 A	11 kW	...304396	U2	0.5
KEF 425M			25 A		25 A		25 A	11 kW	25 A	22 kW	...304402	U2	0.5
KEF 440M			40 A		40 A		40 A	22 kW	25 A	22 kW	...304419	U2	0.5

SIDE OPERATED SWITCHES ALUMINIUM ENCLOSED 16-40 A



- Available in grey/black, yellow/red or fireman red
- Good resistance against UV and many chemicals
- Withstands high impact and has wide operating temperature
- Fully rated Load Break Switch breaking capacity of 8 x AC23 rating
- Cable entries: 2 x M25 as standard on the top and bottom
- Mounting holes: 134,0 x 82,0
- Padlockable handle in 0-position and also available in 1-position
- EMC shielding with EMC glands as an option
- Large cable terminals 1,5 - 16 mm²
- KE handle on right side, KEF handle on left side
- IP66NW (AS/NZS 60947,3:2018)
- Auxiliary contact (normally open, NO) available ONLY when specifically ordered (add S to the product code, examples: KEF 316AS, KE 316AS Y/R)



Type		AC-21	400 V	AC-22	400 V	AC-23	400 V	AC-23	690 V	EAN-Code		Enclosure	Weight kg
			415 V		415 V					690 V	690 V		
Grey/black	Yellow/red	I _n / A	I _n / A	I _n / A	P / kW	I _n / A	P / kW	P / kW	Grey/black	Yellow/red			
3-pole													
KE 316A	KE 316A Y/R	16 A	16 A	16 A	7.5 kW	16 A	11 kW	...	304488	...304600	A2	0.9	
KE 325A	KE 325A Y/R	25 A	25 A	25 A	11 kW	25 A	22 kW	...	304495	...304617	A2	0.9	
KE 340A	KE 340A Y/R	40 A	40 A	40 A	22 kW	25 A	22 kW	...	304501	...304624	A2	0.9	
4-pole													
KE 416A	KE 416A Y/R	16 A	16 A	16 A	7.5 kW	16 A	11 kW	...	304518	...304631	A2	0.9	
KE 425A	KE 425A Y/R	25 A	25 A	25 A	11 kW	25 A	22 kW	...	304525	...304648	A2	0.9	
KE 440A	KE 440A Y/R	40 A	40 A	40 A	22 kW	25 A	22 kW	...	304532	...304655	A2	0.9	
Fireman version													
3-pole													
KEF 316A		16 A	16 A	16 A	7.5 kW	16 A	11 kW	...	305003		A2	0.9	
KEF 325A		25 A	25 A	25 A	11 kW	25 A	22 kW	...	304846		A2	0.9	
KEF 340A		40 A	40 A	40 A	22 kW	25 A	22 kW	...	304853		A2	0.9	
4-pole													
KEF 416A		16 A	16 A	16 A	7.5 kW	16 A	11 kW	...	304860		A2	0.9	
KEF 425A		25 A	25 A	25 A	11 kW	25 A	22 kW	...	304877		A2	0.9	
KEF 440A		40 A	40 A	40 A	22 kW	25 A	22 kW	...	304884		A2	0.9	

ATEX SWITCHES SAFETY SWITCHES / ISOLATORS 16-160 A

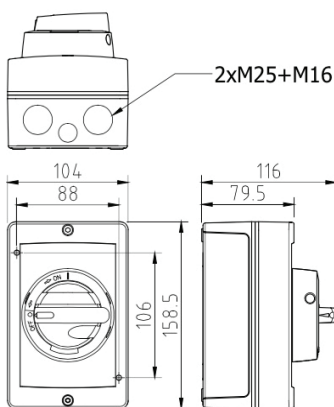


- Conforming to Directive 2014/34/EU, EN 60079-0 (2012), EN 60079-31 (2014)
- Suitable for use in Zone 22 (Category 3D)
- IP66NW; Enclosure types A2EX (AS/NZS 60947,3:2018)
- IP66; Enclosure types A3EX, H23EX, H32EX, H02EX
- Frontal impact test of 7 J
- Available in aluminium and stainless steel
- Available in yellow/red: Add Y/R at the end of product code
- Padlockable
- Door interlock with defeat mechanism
- Separate ATEX-enclosures upon request
- ATEX cable glands included

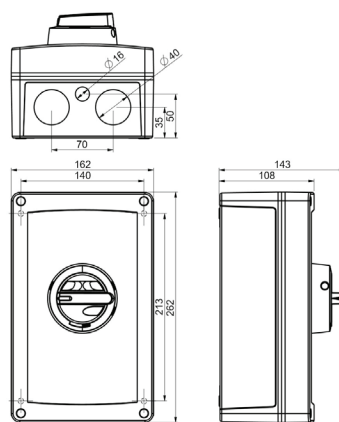


ATEX

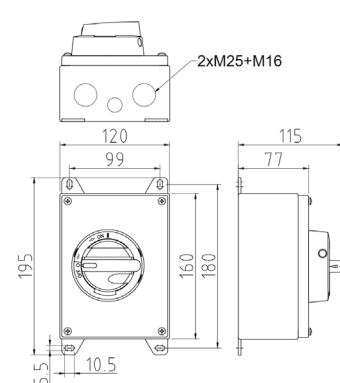
A2EX



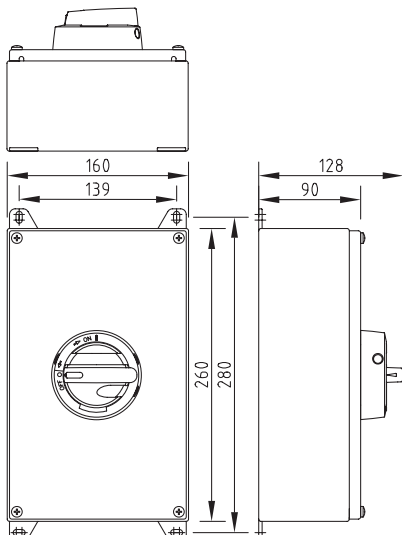
A3EX



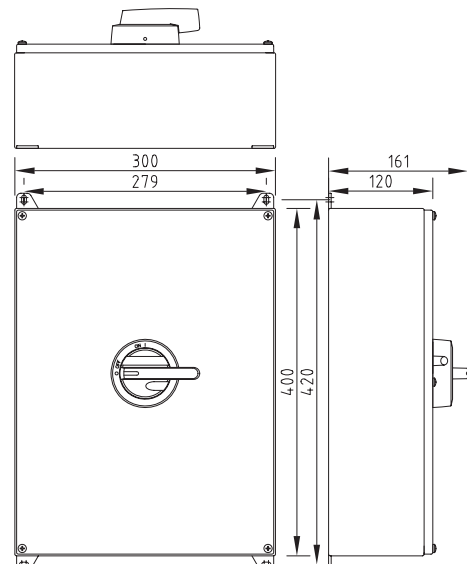
H23EX



H32EX



H02EX



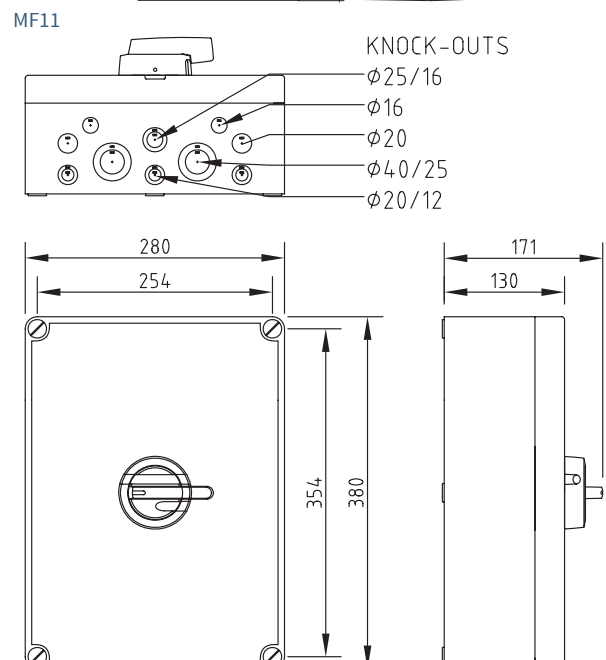
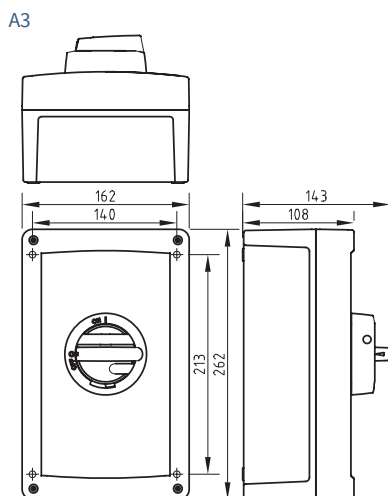
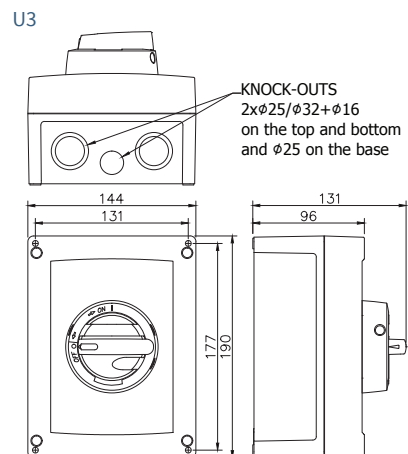
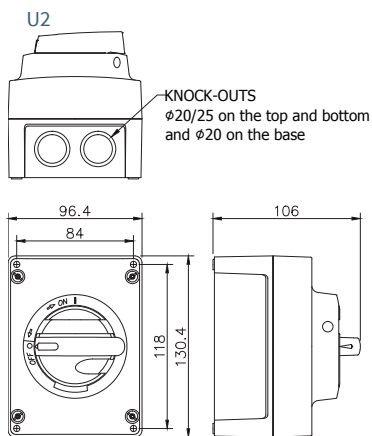
ATEX SWITCHES SAFETY SWITCHES / ISOLATORS 16-160 A

Type	AC-21		AC-22	AC-23		AC-23	AC-23	EAN-Code 6419410.....	Enclosure	Cable glands	Weight kg	
	400 V	415 V		400 V	415 V							400 V
	I _n / A	690 V	I _n / A	690 V	I _n / A	P / kW	I _n / A	P / kW				
Aluminium enclosures												
3-pole												
KEA 316U EX	25 A		16 A		16 A	7.5 kW	16 A	11 kW	...305508	A2EX	2xM25	0.9
KEA 325U EX	40 A		25 A		25 A	11 kW	25 A	22 kW	...305515	A2EX	2xM25	0.9
KEA 340U EX	63 A		40 A		40 A	22 kW	32 A	30 kW	...305522	A2EX	2xM25	0.9
KEA 363U EX	80 A		63 A		40 A	22 kW	40 A	37 kW	...305560	A3EX	2xM40	2.3
KEA 380U EX	100 A		80 A		63 A	30 kW	40 A	37 kW	...305577	A3EX	2xM40	2.3
KEA 3100U EX	125 A		100 A		100 A	55 kW	63 A	55 kW	...315422	A3EX	2xM40	3.8
KEA 3125U EX	160 A		125 A		125 A	55 kW	80 A	75 kW	...305584	A3EX	2xM40	3.8
KEA 3160U EX	160 A		160 A		160 A	90 kW	100 A	90 kW	...305591	A3EX	2xM40	3.8
4-pole												
KEA 416U EX	25 A		16 A		16 A	7.5 kW	16 A	11 kW	...305539	A2EX	2xM25	1
KEA 425U EX	40 A		25 A		25 A	11 kW	25 A	22 kW	...305546	A2EX	2xM25	1
KEA 440U EX	63 A		40 A		40 A	22 kW	32 A	30 kW	...305553	A2EX	2xM25	1
KEA 463U EX	80 A		63 A		40 A	22 kW	40 A	37 kW	...305607	A3EX	2xM40	2.4
KEA 480U EX	100 A		80 A		63 A	30 kW	40 A	37 kW	...305614	A3EX	2xM40	2.4
KEA 4100U EX	125 A		100 A		100 A	55 kW	63 A	55 kW	...315439	A3EX	2xM40	3.9
KEA 4125U EX	160 A		125 A		125 A	55 kW	80 A	75 kW	...305621	A3EX	2xM40	3.9
KEA 4160U EX	160 A		160 A		160 A	90 kW	100 A	90 kW	...305638	A3EX	2xM40	3.9
6-pole												
KEA 616U EX	25 A		16 A		16 A	7.5 kW	16 A	11 kW	...306208	A3EX	4xM25	2.6
KEA 625U EX	40 A		25 A		25 A	11 kW	25 A	22 kW	...306215	A3EX	4xM25	2.6
KEA 640U EX	63 A		40 A		40 A	22 kW	32 A	30 kW	...306222	A3EX	2xM40	2.6
KEA 663U EX	80 A		63 A		40 A	22 kW	40 A	37 kW	...306239	A3EX	2xM40	2.6
KEA 680U EX	100 A		80 A		63 A	30 kW	40 A	37 kW	...306246	A3EX	2xM40	2.6
8-pole												
KEA 816U EX	25 A		16 A		16 A	7.5 kW	16 A	11 kW	...306253	A3EX	4xM25	2.7
KEA 825U EX	40 A		25 A		25 A	11 kW	25 A	22 kW	...306260	A3EX	4xM25	2.7
KEA 840U EX	63 A		40 A		40 A	22 kW	32 A	30 kW	...306277	A3EX	2xM40	2.7
KEA 863U EX	80 A		63 A		40 A	22 kW	40 A	37 kW	...306284	A3EX	2xM40	2.7
KEA 880U EX	100 A		80 A		63 A	30 kW	40 A	37 kW	...306291	A3EX	2xM40	2.7
Stainless steel enclosures												
3-pole												
KER 316 EX	25 A		16 A		16 A	7.5 kW	16 A	11 kW	...309797	H23EX	2xM25	1.3
KER 325 EX	40 A		25 A		25 A	11 kW	25 A	22 kW	...309803	H23EX	2xM25	1.3
KER 340 EX	63 A		40 A		40 A	22 kW	32 A	30 kW	...309810	H23EX	2xM25	1.3
KER 363 EX	80 A		63 A		40 A	22 kW	40 A	37 kW	...309858	H32EX	2xM32	2.5
KER 380 EX	100 A		80 A		63 A	30 kW	40 A	37 kW	...309865	H32EX	2xM32	2.5
KER 3100 EX	125 A		100 A		100 A	55 kW	63 A	55 kW	...315446	H02EX	2xM40	7.2
KER 3125 EX	160 A		125 A		125 A	55 kW	80 A	75 kW	...309872	H02EX	2xM40	7.2
KER 3160 EX	160 A		160 A		160 A	90 kW	100 A	90 kW	...309889	H02EX	2xM40	7.2
4-pole												
KER 416 EX	25 A		16 A		16 A	7.5 kW	16 A	11 kW	...309827	H23EX	2xM25	1.4
KER 425 EX	40 A		25 A		25 A	11 kW	25 A	22 kW	...309834	H23EX	2xM25	1.4
KER 440 EX	63 A		40 A		40 A	22 kW	32 A	30 kW	...309841	H23EX	2xM25	1.4
KER 463 EX	80 A		63 A		40 A	22 kW	40 A	37 kW	...309896	H32EX	2xM32	2.6
KER 480 EX	100 A		80 A		63 A	30 kW	40 A	37 kW	...309902	H32EX	2xM32	2.6
KER 4100 EX	125 A		100 A		100 A	55 kW	63 A	55 kW	...315453	H02EX	2xM40	7.3
KER 4125 EX	160 A		125 A		125 A	55 kW	80 A	75 kW	...305768	H02EX	2xM40	7.3
KER 4160 EX	160 A		160 A		160 A	90 kW	100 A	90 kW	...305775	H02EX	2xM40	7.3
6-pole												
KER 616 EX	25 A		16 A		16 A	7.5 kW	16 A	11 kW	...306406	H32EX	2xM25	2.6
KER 625 EX	40 A		25 A		25 A	11 kW	25 A	22 kW	...306413	H32EX	2xM25	2.6
KER 640 EX	63 A		40 A		40 A	22 kW	32 A	30 kW	...306420	H32EX	2xM25	2.6
KER 663 EX	80 A		63 A		40 A	22 kW	40 A	37 kW	...306437	H32EX	2xM32	2.7
KER 680 EX	100 A		80 A		63 A	30 kW	40 A	37 kW	...306444	H32EX	2xM32	2.7
KER 6100 EX	125 A		100 A		100 A	55 kW	63 A	55 kW	...315460	H02EX	4xM40	7.6
KER 6125 EX	160 A		125 A		125 A	55 kW	80 A	75 kW	...306505	H02EX	4xM40	7.6
KER 6160 EX	160 A		160 A		160 A	90 kW	100 A	90 kW	...306512	H02EX	4xM40	7.6
8-pole												
KER 816 EX	25 A		16 A		16 A	7.5 kW	16 A	11 kW	...306451	H32EX	2xM25	2.7
KER 825 EX	40 A		25 A		25 A	11 kW	25 A	22 kW	...306468	H32EX	2xM25	2.7
KER 840 EX	63 A		40 A		40 A	22 kW	32 A	30 kW	...306475	H32EX	2xM32	2.8
KER 863 EX	80 A		63 A		40 A	22 kW	40 A	37 kW	...306482	H32EX	2xM32	2.8
KER 880 EX	100 A		80 A		63 A	30 kW	40 A	37 kW	...306499	H32EX	2xM32	2.8
KER 8100 EX	125 A		100 A		100 A	55 kW	63 A	55 kW	...315477	H02EX	4xM40	7.8
KER 8125 EX	160 A		125 A		125 A	55 kW	80 A	75 kW	...306529	H02EX	4xM40	7.8
KER 8160 EX	160 A		160 A		160 A	90 kW	100 A	90 kW	...306536	H02EX	4xM40	7.8

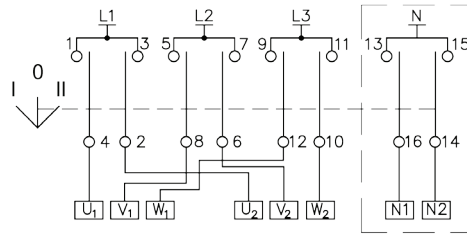
CHANGE-OVER SWITCHES 16 - 160 A



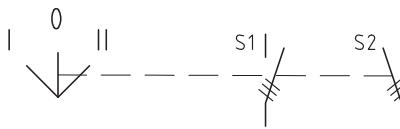
- Polycarbonate (TKM, KEM) or aluminium (KEA) enclosures
- TKM-models with cam switch 16 to 40 A
- KEM and KEA models consist of two KU or VKA switches connected by a change-over kit and range from 16 to 160 A
- IP66NW; enclosure types U2 (AS/NZS 60947,3:2018)
- IP66; enclosure types U3, U5, A3
- IP65; enclosure type MF11
- Self-extinguishing material
- Excellent insulating properties
- Wide operating temperature range
- Good resistance against many chemicals
- Good UV resistance
- Padlockable
- Door interlock with defeat mechanism
- IEC 60947-3



CHANGE-OVER SWITCHES 16 - 160 A



TK W circuit diagram



KEM/KEA W circuit diagram

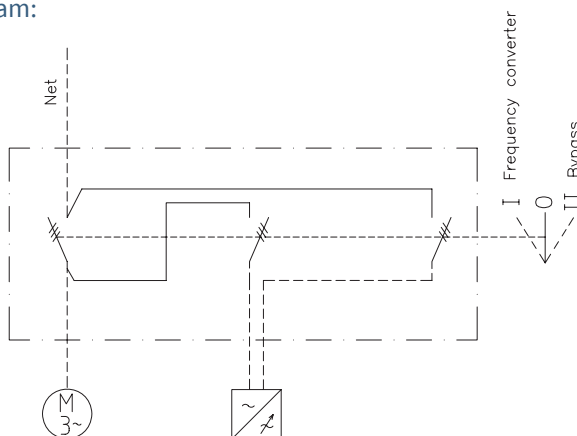
Type	AC-21	400 V	AC-22	400 V	AC-23	400 V	AC-23	690 V	EAN-Code		Switch	Enclosure	Weight kg
		415 V ¹⁾		415 V ²⁾					415 V	690 V ²⁾			
Grey/black	Yellow/red	I ₂ / A	I ₂ / A	I ₂ / A	P / kW	I ₂ / A	P / kW						
TKM (Polycarbonate)													
2-pole													
TKM 225U VV	TKM 225U VV Y/R	25 A*	25 A*	25 A*	11 kW	-	-	TK 225 VV	U2	0.5
TKM 240U VV	TKM 240U VV Y/R	40 A*	40 A*	40 A*	18.5 kW	-	-	TK 240 VV	U2	0.5
3-pole													
TKM 316U VV	TKM 316U VV Y/R	16 A*	16 A*	16 A*	7.5 kW	-	-	TK 316 VV	U2	0.5
TKM 325U VV	TKM 325U VV Y/R	25 A*	25 A*	25 A*	11 kW	-	-	TK 325 VV	U2	0.5
TKM 340U VV	TKM 340U VV Y/R	40 A*	40 A*	40 A*	18.5 kW	-	-	TK 340 VV	U2	0.5
4-pole													
TKM 416U VV	TKM 416U VV Y/R	16 A*	16 A*	16 A*	7.5 kW	-	-	TK 416 VV	U2	0.5
TKM 425U VV	TKM 425U VV Y/R	25 A*	25 A*	25 A*	11 kW	-	-	TK 425 VV	U2	0.5
TKM 440U VV	TKM 440U VV Y/R	40 A*	40 A*	40 A*	18.5 kW	-	-	TK 440 VV	U2	0.5
KEM (Polycarbonate)													
3-pole													
KEM 316 VV	KEM 316 VV Y/R	25 A	16 A	16 A	7.5 kW	16 A	11 kW	2xKU 316	U3	0.9
KEM 325 VV	KEM 325 VV Y/R	40 A	25 A	25 A	11 kW	25 A	22 kW	2xKU 325	U3	0.9
KEM 340 VV	KEM 340 VV Y/R	63 A	40 A	40 A	22 kW	32 A	30 kW	2xKU 340	U3	0.9
KEM 363 VV	KEM 363 VV Y/R	80 A	63 A	40 A	22 kW	40 A	37 kW	2xKU 363	U3	0.9
KEM 380 VV	KEM 380 VV Y/R	100 A	80 A	63 A	30 kW	40 A	37 kW	2xKU 380	U3	0.9
KEM 3100C VV	KEM 3100C VV Y/R	100 A	100 A ¹⁾ / 80 A ²⁾	63 A	30 kW	40 A	37 kW	2xKU 3100	MF11	2.1
KEM 3125C VV	KEM 3125C VV Y/R	125 A	125 A ¹⁾ / 80 A ²⁾	63 A	30 kW	40 A	37 kW	2xKU 3125	MF11	2.1
KEM 3125 VV 1-0-2	KEM 3125 VV 1-0-2 Y/R	160 A	125 A	125 A	55 kW	80 A	75 kW	2xKU 3125	MF11	3.8
KEM 3160 VV 1-0-2	KEM 3160 VV 1-0-2 Y/R	160 A	160 A	160 A	90 kW	100 A	90 kW	2xKU 3160	MF11	3.8
4-pole													
KEM 416 VV	KEM 416 VV Y/R	25 A	16 A	16 A	7.5 kW	16 A	11 kW	2xKU 416	U3	1
KEM 425 VV	KEM 425 VV Y/R	40 A	25 A	25 A	11 kW	25 A	22 kW	2xKU 425	U3	1
KEM 440 VV	KEM 440 VV Y/R	63 A	40 A	40 A	22 kW	32 A	30 kW	2xKU 440	U3	1
KEM 463 VV	KEM 463 VV Y/R	80 A	63 A	40 A	22 kW	40 A	37 kW	2xKU 463	U3	1
KEM 480 VV	KEM 480 VV Y/R	100 A	80 A	63 A	30 kW	40 A	37 kW	2xKU 480	U3	1
KEM 4100C VV	KEM 4100C VV Y/R	100 A	100 A ¹⁾ / 80 A ²⁾	63 A	30 kW	40 A	37 kW	2xKU 4100	MF11	2.2
KEM 4125C VV	KEM 4125C VV Y/R	125 A	125 A ¹⁾ / 80 A ²⁾	63 A	30 kW	40 A	37 kW	2xKU 4125	MF11	2.2
KEM 4125 VV 1-0-2	KEM 4125 VV 1-0-2 Y/R	160 A	125 A	125 A	55 kW	80 A	75 kW	2xKU 4125	MF11	4
KEM 4160 VV 1-0-2	KEM 4160 VV 1-0-2 Y/R	160 A	160 A	160 A	90 kW	100 A	90 kW	2xKU 4160	MF11	4
KEA (Aluminium)													
3-pole													
KEA 316 VV	KEA 316 VV Y/R	25 A	16 A	16 A	7.5 kW	16 A	11 kW	2xKU 316	A3	2.3
KEA 325 VV	KEA 325 VV Y/R	40 A	25 A	25 A	11 kW	25 A	22 kW	2xKU 325	A3	2.3
KEA 340 VV	KEA 340 VV Y/R	63 A	40 A	40 A	22 kW	32 A	30 kW	2xKU 340	A3	2.3
KEA 363 VV	KEA 363 VV Y/R	80 A	63 A	40 A	22 kW	40 A	37 kW	2xKU 363	A3	2.3
KEA 380 VV	KEA 380 VV Y/R	100 A	80 A	63 A	30 kW	40 A	37 kW	2xKU 380	A3	2.3
4-pole													
KEA 416 VV	KEA 416 VV Y/R	25 A	16 A	16 A	7.5 kW	16 A	11 kW	2xKU 416	A3	2.4
KEA 425 VV	KEA 425 VV Y/R	40 A	25 A	25 A	11 kW	25 A	22 kW	2xKU 425	A3	2.4
KEA 440 VV	KEA 440 VV Y/R	63 A	40 A	40 A	22 kW	32 A	30 kW	2xKU 440	A3	2.4
KEA 463 VV	KEA 463 VV Y/R	80 A	63 A	40 A	22 kW	40 A	37 kW	2xKU 463	A3	2.4
KEA 480 VV	KEA 480 VV Y/R	100 A	80 A	63 A	30 kW	40 A	37 kW	2xKU 480	A3	2.4

* 400/415 V

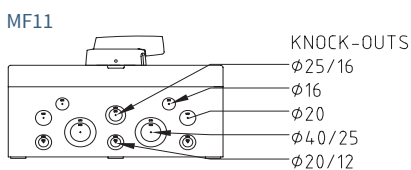
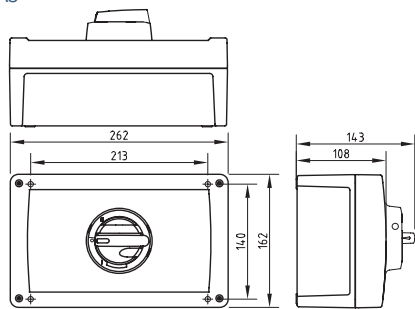
BYPASS SWITCH FOR FREQUENCY INVERTER 16-63 A



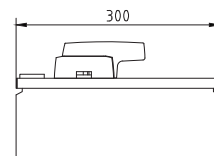
- Polycarbonate (IP65), sheet steel (IP65) or aluminium (IP66) enclosed
- R.M.S value 50kA
- Padlockable
- Door interlock with defeat mechanism
- Tested according to IEC 60 947-3
- CB certificates
- Circuit diagram:



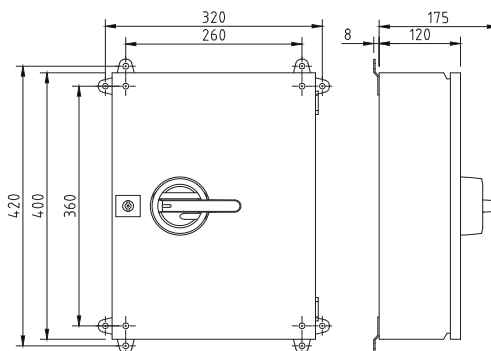
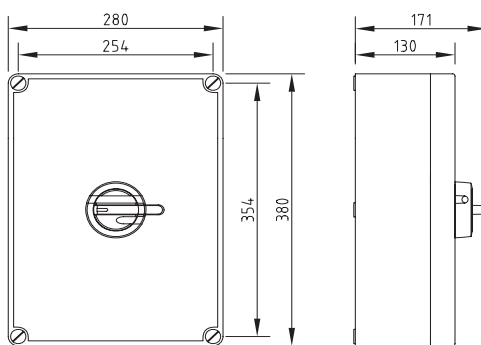
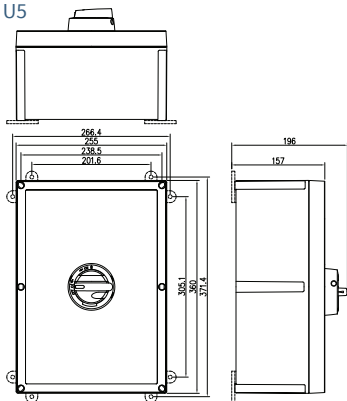
A3



TR02



U5

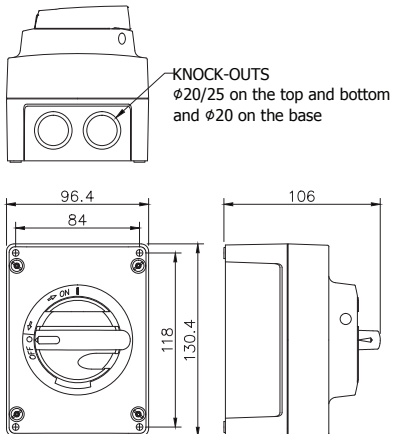


Type	AC-21		AC-22		AC-23		AC-23		EAN-Code	Enclosure	Weight kg
	400 V	415 V	400 V	415 V	400 V	415 V	400 V	690 V			
	I_n / A	I_n / A	I_n / A	I_n / A	I_n / A	P / kW	I_n / A	P / kW	6419410...		
Polycarbonate enclosures											
KUM 616/316 VV.1-0-2 2xKU1.V	40 A		25 A		20 A	7.5 kW	20 A	15 kW	...301661	MF11	3.6
KUM 625/325 VV.1-0-2 2xKU1.V	63 A		40 A		25 A	11 kW	25 A	22 kW	...302057	MF11	3.6
KUM 640/340 VV.1-0-2 2xKU1.V	90 A		70 A		50 A	22 kW	32 A	30 kW	...302453	MF11	3.6
KUM 663/363 VV.1-0-2 2xKU1.V	100 A		80 A		63 A	30 kW	40 A	37 kW	...302903	MF11	3.6
Sheet steel enclosures											
KUT 616/316 VV.1-0-2 EMC 2xKU1.V	40 A		25 A		20 A	7.5 kW	20 A	15 kW	...311509	TR02	8.5
KUT 625/325 VV.1-0-2 EMC 2xKU1.V	63 A		40 A		25 A	11 kW	25 A	22 kW	...311554	TR02	8.5
KUT 640/340 VV.1-0-2 EMC 2xKU1.V	90 A		70 A		50 A	22 kW	32 A	30 kW	...311608	TR02	8.5
KUT 663/363 VV.1-0-2 EMC 2xKU1.V	100 A		80 A		63 A	30 kW	40 A	37 kW	...311653	TR02	8.5
Aluminium enclosures											
TKA 616/316 VV 2xSS EMC	16 A		16 A		16 A	7.5 kW	-	-	...311684	A3	3.1

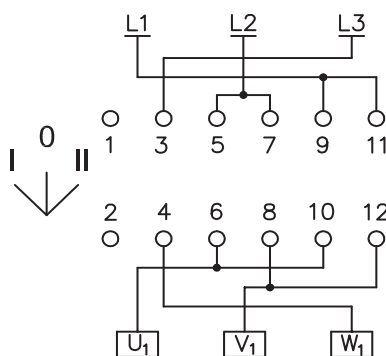
MOTOR CONTROL SWITCHES 16-40 A



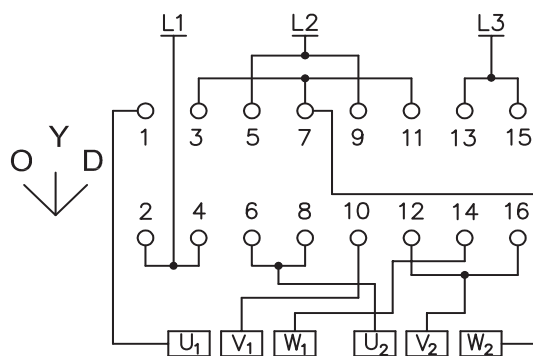
- Cam switches
- Polycarbonate enclosure, IP66
- Rated thermal current I_{the} 16 - 40 A
- Padlockable
- Door interlock with defeat mechanism
- Terminals: Cu 1,5 - 16 mm²
- Max. terminal torque: 1,8 Nm
- IEC 60 947-3
- TK= star delta
- SK= reverse switch
- IP66NW (AS/NZS 60947,3:2018)



Connection diagrams:
TKM 325U SK



TKM 325U TK



Type		AC-21	400 V	AC-22	400 V	AC-23	400 V	EAN-Code		Enclosure	Weight kg
			415 V		415 V		415 V	6419410...	Grey/black		
Grey/black	Yellow/red	I_n / A		I_n / A		I_n / A	P / kW	Grey/black	Yellow/red		
Star-Delta											
TKM 316U TK	TKM 316U TK Y/R	16 A		16 A		16 A	7.5 kW	...344828	...344842	U2	0.5
TKM 325U TK	TKM 325U TK Y/R	25 A		25 A		25 A	11 kW	...345023	...345030	U2	0.5
TKM 340U TK	TKM 340U TK Y/R	40 A		40 A		40 A	18.5 kW	...345627	...345641	U2	0.5
Reverse											
TKM 316U SK	TKM 316U SK Y/R	16 A		16 A		16 A	7.5 kW	...344729	...344743	U2	0.5
TKM 325U SK	TKM 325U SK Y/R	25 A		25 A		25 A	11 kW	...345221	...345238	U2	0.5
TKM 340U SK	TKM 340U SK Y/R	40 A		40 A		40 A	18.5 kW	...345962	...345986	U2	0.5

ENCLOSED SWITCH FUSES 16-630 A

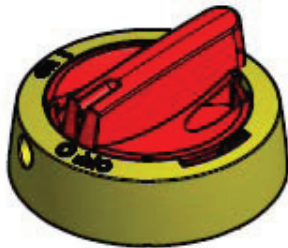
- Available as 1P, 2P, 3P and 4P versions
- KKVT/M/R (16 - 32 A) - with KU switch and KV 10x38 fuse holder
- KVKET/M/R (20-630 A) - with KVKE switch fuse
- Available as BS and DIN fuse version: for BS version: add BS at the end of the product code
- All Versions available in grey/black or yellow/red: for yellow/red version: add Y/R at the end of the product code
- M=polycarbonate, T=steel, R=stainless steel

Type	AC-21		AC-22	AC-23		AC-23	690 V	EAN-Code	Enclosure	Weight kg	
	400 V	415 V		400 V	415 V						
	415 V	690 V		415 V	690 V						
I _n / A		I _n / A		I _n / A	P / kW	I _n / A	P / kW	6419410...			
Polycarbonate enclosures											
KKVM											
KKVM 316	16 A		16 A		16 A	7.5 kW	16 A	11 kW	...377000	U3	0.8
KKVM 325	25 A		25 A		25 A	11 kW	25 A	22 kW	...377109	U3	0.8
KKVM 332	32 A		32 A		32 A	15 kW	32 A	30 kW	...377208	U3	0.8
KVKEM											
KVKEM 320	20 A		20 A		20 A	10 kW	-	-	...391709	U3	3.5
KVKEM 332	32 A		32 A		32 A	15 kW	-	-	...391723	U3	3.5
KVKEM 363	63 A		63 A		63 A	30 kW	63 A	55 kW	...394052	MF11	4.4
KVKEM 380	80 A		80 A		80 A	45 kW	80 A	75 kW	...394151	MF11	4.4
KVKEM 3100	100 A		100 A		100 A	55 kW	100 A	90 kW	...394250	MF11	4.4
KVKEM 3125	125 A		125 A		125 A	55 kW	125 A	110 kW	...394359	MF11	4.4
KVKEM 3160	160 A		160 A		125 A	55 kW	125 A	110 kW	...394458	MF11	4.4
KVKEM 3200	200 A		200 A		200 A	110 kW	200 A	160 kW	...397565	MF03	8.7
KVKEM 3250	250 A		250 A		250 A	132 kW	250 A	250 kW	...391303	MF03	8.7
KVKEM 3315	315 A		315 A		315 A	160 kW	315 A	315 kW	...303108	MF04	9.2
KVKEM 3400	400 A		400 A		400 A	200 kW	400 A	355 kW	...391501	MF04	9.2
KVKEM 3630	630 A		630 A		630 A	355 kW	500 A	500 kW	...391600	MF04	9.3
Sheet steel enclosures											
KKVT											
KKVT 316	16 A		16 A		16 A	7.5 kW	16 A	11 kW	...379004	TR01	4.3
KKVT 325	25 A		25 A		25 A	11 kW	25 A	22 kW	...379103	TR01	4.3
KKVT 332	32 A		32 A		32 A	15 kW	32 A	30 kW	...379202	TR01	4.3
KVKET											
KVKET 320	20 A		20 A		20 A	10 kW	-	-	...393154	TR02	9.7
KVKET 332	32 A		32 A		32 A	15 kW	-	-	...393161	TR02	9.7
KVKET 363	63 A		63 A		63 A	30 kW	63 A	55 kW	...395059	TR03	20
KVKET 380	80 A		80 A		80 A	45 kW	80 A	75 kW	...395158	TR03	20
KVKET 3100	100 A		100 A		100 A	55 kW	100 A	90 kW	...395257	TR03	20
KVKET 3125	125 A		125 A		125 A	55 kW	125 A	110 kW	...395356	TR03	20
KVKET 3160	160 A		160 A		125 A	55 kW	125 A	110 kW	...395455	TR03	20
KVKET 3200	200 A		200 A		200 A	110 kW	200 A	160 kW	...393208	TR03	22
KVKET 3250	250 A		250 A		250 A	132 kW	250 A	250 kW	...393307	TR03	22
KVKET 3315	315 A		315 A		315 A	160 kW	315 A	315 kW	...303245	TR04	23
KVKET 3400	400 A		400 A		400 A	200 kW	400 A	355 kW	...393505	TR04	23
KVKET 3630	630 A		630 A		630 A	355 kW	500 A	500 kW	...393604	TR04	24
Stainless steel enclosures											
KKVR											
KKVR 316	16 A		16 A		16 A	7.5 kW	16 A	11 kW	...378007	H32	2.5
KKVR 325	25 A		25 A		25 A	11 kW	25 A	22 kW	...378014	H32	2.5
KKVR 332	32 A		32 A		32 A	15 kW	32 A	30 kW	...378021	H32	2.5
KVKER											
KVKER 320	20 A		20 A		20 A	10 kW	-	-	...378038		
KVKER 332	32 A		32 A		32 A	15 kW	-	-	...378045		
KVKER 363	63 A		63 A		63 A	30 kW	63 A	55 kW	...378052	H03	16
KVKER 380	80 A		80 A		80 A	45 kW	80 A	75 kW	...378069	H03	16
KVKER 3100	100 A		100 A		100 A	55 kW	100 A	90 kW	...378076	H03	16
KVKER 3125	125 A		125 A		125 A	55 kW	125 A	110 kW	...378083	H03	16
KVKER 3160	160 A		160 A		125 A	55 kW	125 A	110 kW	...378090	H03	16
KVKER 3200	200 A		200 A		200 A	110 kW	200 A	160 kW	...378106	H03	16
KVKER 3250	250 A		250 A		250 A	132 kW	250 A	250 kW	...378113	H03	16
KVKER 3315	315 A		315 A		315 A	160 kW	315 A	315 kW	...378120	H04	26
KVKER 3400	400 A		400 A		400 A	200 kW	400 A	355 kW	...378137	H04	26
KVKER 3630	630 A		630 A		630 A	355 kW	500 A	500 kW	...378144	H04	26

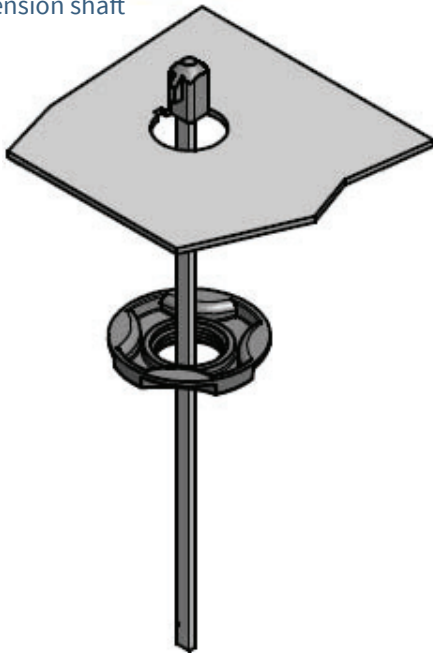
LOAD BREAK SWITCHES 16-800 A ROTARY AND TOGGLE SWITCHES

ASSEMBLY EXAMPLE

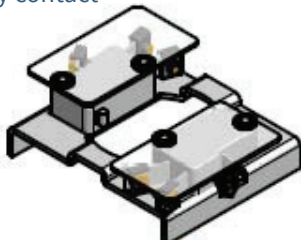
LK10 handle



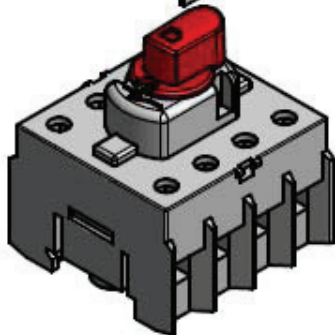
L=200 AD11 extension shaft



"Snap-on" Auxiliary contact



4P KU-switch



General information:

The professional range of KATKO Load Break Switches consists of rotary and toggle switches. Types KU, VKA and VKE are rotary switches while KUE and EVA are toggle switches. The KATKO range is available from 16 A up to 800 A. Also 1000-3150 A is available on request.

- KU/VKA 16 - 250 A
- KUE/EVA 16 - 250 A
- VKE 125 - 630 A
- KU 630 - 800 A

Rotary switches are available as 3-pole, 4-pole, 6-pole and 8-pole. Katko switches are rated up to 690V (KU 800 A switch is rated 400 A at 1000V). Katko Load Break Switches comply with and are tested according to IEC 60 947-3, IEC 60 269-2, UL 60947-4-1A (16-150 A), CCA, CB, ISO 9001, ISO 14001 and RINA (KU, VKA, KKV332).

Features:

- Compact size
- DIN-rail mounting
- Double break with silver rivets
- 12.5 mm air gap in open position
- AC-23, 690 V
- 50 kA RMS
- Position indicator
- Snap-on auxiliary contacts
- Adjustable shaft
- Door interlock
- Lockable handles
- Load break (will break at least 8xAC-23 current)

LOAD BREAK SWITCHES 16-250 A ROTARY AND TOGGLE SWITCHES



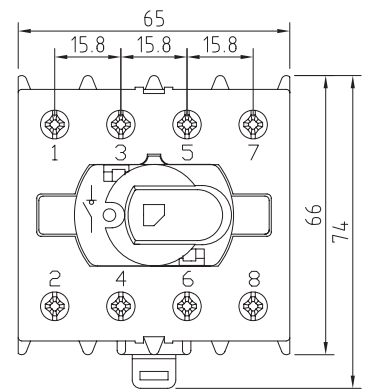
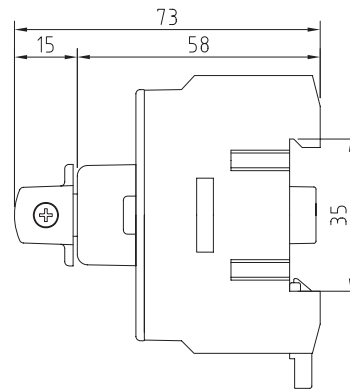
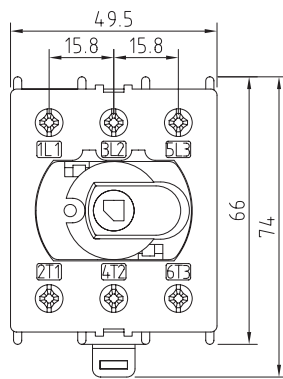
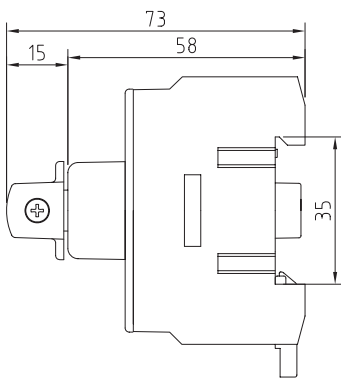
LOAD BREAK SWITCHES		16A	25A	40A	63A	80A	100A	125A			160A		200A		250A		
		KU /	KU /	KU /	KU /	KU /	KU	KUE	EVA	KU	EVA	KU	VKA	EVA	VKA	EVA	
		KUE	KUE	KUE	KUE	KUE											
Rated insulation voltage, U_i (V)		800	800	800	800	800	800	690	690	800	690	800	1000	690	1000	690	
Rated thermal current, I_{th} (A)		25	40	63	80	100	125	125	160	160	200	200	200	200	250	250	
Nominal values with cable size (mm ²)		4	10	16	25	35	70	50	70	70	95	95	95	95	120	120	
Rated operational current, I_n (A)																	
AC-21	400/415V	25	40	63	80	100	125	125	160	160	200	160	200	200	250	250	
	500V	25	40	63	80	100	125	125	-	160	-	160	200	-	250	-	
	690V	25	40	63	80	100	125	125	-	160	-	160	200	-	250	-	
AC-22	400/415V	16	25	40	63	80	100	125	125	125	160	160	200	200	250	250	
	500V	16	25	40	63	80	100	80	-	125	-	160	-	-	-	-	
	690V	16	25	40	63	80	100	80	-	125	-	160	-	-	-	-	
AC-23	400/415V	16	25	40/25	40	63	100	63	80	125	125	160	200	160	250	200	
	500V	16	25/20	32/20	40/32	40/32	63	32	-	80	-	100	-	-	-	-	
	690V	16	25/20	32/20	40/32	40/32	63	32	-	80	-	100	-	-	-	-	
Rated operational power for 3-phase (1500 r.p.m.) squirrel cage induction motors (kW)																	
AC-23	400/415V	7.5	11	15/11	22	30	55	30	45	55	75	90	110	75	132	90	
	500V	7.5	15/11	22/11	30/22	30/22	37	22	55	55	75	55	-	-	-	-	
	690V	11	22/15	30/15	37/30	37/30	55	30	55	75	90	90	-	-	-	-	
Rated fused short circuit current																	
Back-up fuse (A)		63	63	63	80	80	160	125	160	160	160	160	250	250	250	250	
R.M.S. value, I_{sc} (kA)		50	50	50	50	50	65	30	50	65	50	65	50	50	50	50	
Peak value (kA)		7.2	7.2	7.2	8.7	8.7	15	10	15	15	15	15	22	21	22	21	
Impulse withstand voltage, U_{imp} (kV)		8	8	8	8	8	8	8	8/6	8	8/6	8	8	6	8	6	
Rated short circuit making capacity, I_{cm} (kA)																	
	690V	2.5	2.5	2.5	3.1**	3.1**	8	3.3	5.1	8	5.1	8	11.4*	11.4*	11.4*	11.4*	
Rated short time withstand current (1 s), I_{cw} (kA)																	
	690V	1.7	1.7	1.7	2.0	2.0	5	2.3	3.5	5	3.5	5	6.5*	6.5*	6.5*	6.5*	
Rated breaking capacity, I_{cn} (A)																	
AC-23	400/415V	128	200	256/200	320	504	800	504	800	1000	840	1280	1600	1600	2000	1600	
	500V	128	200/160	256/160	320/256	320/256	504	320	640	640	1000	800	-	-	-	-	
	690V	128	200/160	256/160	320/256	320/256	504	320	640	640	1000	800	-	-	-	-	
Electrical endurance (operations)		3000	3000	3000	3000	3000	2000	3000	2000	2000	2000	2000	2000	2000	2000	2000	
Mechanical endurance (operations)		50000	50000	50000	50000	50000	16000	50000	16000	16000	16000	16000	16000	16000	16000	16000	
Terminals / Bolt size Cu (mm ²)		1.5-16	1.5-16	1.5-16	2.5-35	2.5-35	6-70	2.5-50	6-70	6-70	6-70	6-70	6-70	M8	M8	M8	M8
Max terminal torque (Nm)		1.8	1.8	1.8	2.5	2.5	6	2.5	6	6	6	6	15-22	15-22	15-22	15-22	

*415 V **2.5 kA when CCC marked

LOAD BREAK SWITCHES 16-125 A ROTARY SWITCHES, KU SERIES



- Compact size
- DIN-rail mounting
- 3-pole and 4-pole KU-switches as standard. 2-pole upon request
- 6-pole and 8-pole versions consist of two 3-pole or 4-pole KU-switches connected by a parallel kit
- Switch technology by means of silver contacts ensures safe and durable operation
- 4-pole versions with early-make and late-break neutral pole
- Compatible with handles LK10 and LK11
- Shafts L=100/200/300 AD11 and L=100/200/300 AD11/VT



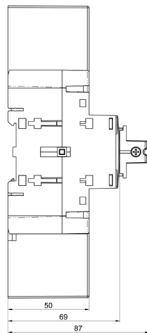
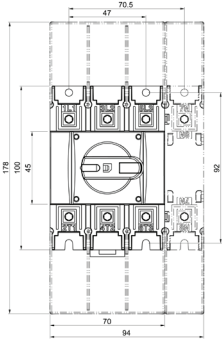
Type	AC-22		AC-23	AC-23		690 V	EAN code	Weight kg
	I _e / A	400 V 415 V ¹⁾ 690 V ²⁾		I _e / A	P / kW			
3 poles								
KU 316N	16 A		16 A	7,5 kW	16 A	11 kW	...214305	0.19
KU 325N	25 A		25 A	11 kW	25 A	22 kW	...214404	0.19
KU 340N	40 A		32 A	15 kW	32 A	30 kW	...214503	0.19
KU 363N	63 A		40 A	22 kW	40 A	37 kW	...214602	0.2
KU 380N	80 A		63 A	30 kW	40 A	37 kW	...214701	0.2
KU 3125N	125 ¹⁾ / 80 ²⁾ A		63 A	30 kW	40 A	37 kW	...214824	0.2
4 poles								
KU 416N	16 A		16 A	7,5 kW	16 A	11 kW	...215005	0.23
KU 425N	25 A		25 A	11 kW	25 A	22 kW	...215203	0.23
KU 440N	40 A		32 A	15 kW	32 A	30 kW	...215500	0.23
KU 463N	63 A		40 A	22 kW	40 A	37 kW	...215906	0.25
KU 480N	80 A		63 A	30 kW	40 A	37 kW	...216002	0.25
KU 4125N	125 ¹⁾ / 80 ²⁾ A		63 A	30 kW	40 A	37 kW	...216125	0.25

LOAD BREAK SWITCHES 100-160 A ROTARY SWITCHES, KU SERIES

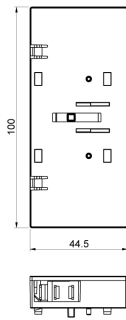


- Modular design
- DIN-rail mounting
- 3- and 4 pole switches as standard
- 6- and 8 pole switches consist of two 3- or 4 pole switches and a parallel kit
- Advanced silver contacts guarantee safe and durable use
- Compatible with handles LK10, LK11(3 and 4 poles) and LK12 (6 and 8 poles and change-over switch)
- Shafts: L=100/200/300 AD11 and L=100/200/300 AD11/VT (3 and 4 poles), L=100/200/300 AD12/T (6 and 8 poles and change-over switch)

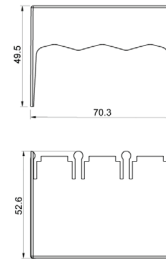
3 and 4 poles



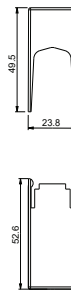
Auxiliary contact



Terminal cover 3P



Terminal cover fourth pole



Type	AC-21		AC-22	AC-23		AC-23		EAN code		Weight		
	415 V	690 V		415 V	690 V	415 V	690 V	6419410...	6419410...	3 poles	6 poles	
	I_e / A		I_e / A	I_e / A	I_e / A	P / kW	I_e / A	P / kW	6419410...		kg	
3 poles	6 poles								3 poles	6 poles	3 poles	6 poles
KU 3100	KU 6100	125 A	100 A	100 A	100 A	55 kW	63 A	55 kW	...203484	...203521	0.45	0.97
KU 3125	KU 6125	160 A	125 A	125 A	125 A	55 kW	80 A	75 kW	...203491	...203538	0.45	0.97
KU 3160	KU 6160	160 A	160 A	160 A	160 A	90 kW	100 A	90 kW	...203507	...203545	0.45	0.97
KU 3100 CO*	-	125 A	100 A	100 A	100 A	55 kW	63 A	55 kW	...203583	-	0.97	-
KU 3125 CO*	-	160 A	125 A	125 A	125 A	55 kW	80 A	75 kW	...203590	-	0.97	-
KU 3160 CO*	-	160 A	160 A	160 A	160 A	90 kW	100 A	90 kW	...203606	-	0.97	-
4 poles	8 poles								4 poles	8 poles	4 poles	8 poles
KU 4100	KU 8100	125 A	100 A	100 A	100 A	55 kW	63 A	55 kW	...203675	...203552	0.59	1.18
KU 4125	KU 8125	160 A	125 A	125 A	125 A	55 kW	80 A	75 kW	...203682	...203569	0.59	1.18
KU 4160	KU 8160	160 A	160 A	160 A	160 A	90 kW	100 A	90 kW	...203514	...203576	0.59	1.18
KU 4100 CO*	-	125 A	100 A	100 A	100 A	55 kW	63 A	55 kW	...203613	-	1.18	-
KU 4125 CO*	-	160 A	125 A	125 A	125 A	55 kW	80 A	75 kW	...203620	-	1.18	-
KU 4160 CO*	-	160 A	160 A	160 A	160 A	90 kW	100 A	90 kW	...203637	-	1.18	-

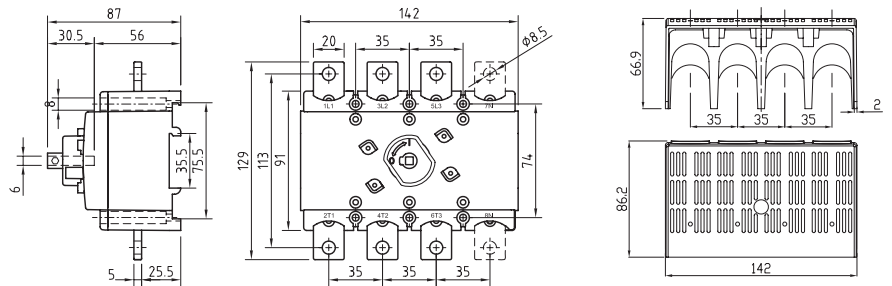
*Change-over switch

Type	Description	EAN code
N160KU	Fourth pole	...203644
CO160KU	Change-over kit	...203651
PK160KU	Parallel kit	...203668
1V160KU	Auxiliary contact, side mounted	...300022
2V160KU	2x Auxiliary contact, side mounted	...300114
LS 160 3P	Terminal cover for 3P	...203699
LS N160	Terminal cover for 4th pole	...203705
KKL 120T	Cable connector Al, 16 - 120mm ²	...378700
VS 160	Phase barrier (1 pc)	...203835

LOAD BREAK SWITCHES 125-250 A ROTARY SWITCHES, VKA SERIES



- Compact size
- 3-pole and 4-pole VKA-switches as standard, 2-pole upon request
- Switch technology by means of silver contacts ensures safe and durable operation
- 4-pole versions with early-make and late-break neutral pole
- 200-250A: Handle LK12 for 200A-250A and shaft L=228 AD12/T6 included, suitable for 250 mm panel board
- Terminal covers LS/VKAC and phase barriers VS/VKAC enable safe use



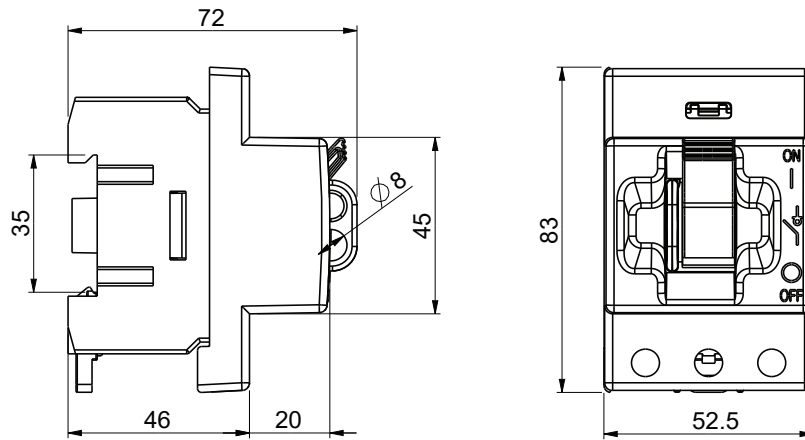
Type	AC-22		AC-23	AC-23		690 V	EAN code	Weight kg
	400 V	415 V		400 V	415 V			
	I _e / A		I _e / A	P / kW	I _e / A	P / kW	6419410...	
3 poles								
VKA 3125N	125 A		80 A	45 kW	80 A	55 kW	...217504	0.51
VKA 3160N	160 A		135 A	75 kW	125 A	90 kW	...218006	0.51
4 poles								
VKA 4125N	125 A		80 A	45 kW	80 A	55 kW	...218600	0.66
VKA 4160N	160 A		135 A	75 kW	125 A	90 kW	...219102	0.66

Type	AC-21		AC-21	AC-22	AC-23		EAN-Code	Weight kg
	400 V	415 V			400 V	415 V		
	I _e / A		I _e / A	I _e / A	I _e / A	P / kW	6419410...	
3-pole								
VKA 3200	200 A		200 A	200 A	200 A	110 kW	...218020	1.4
VKA 3250	250 A		250 A	250 A	250 A	132 kW	...218044	1.4
VKA 3200 LS/VS	200 A		200 A	200 A	200 A	110 kW	...218037	1.5
VKA 3250 LS/VS	250 A		250 A	250 A	250 A	132 kW	...218051	1.5
4-pole								
VKA 4200	200 A		200 A	200 A	200 A	110 kW	...219126	1.6
VKA 4250	250 A		250 A	250 A	250 A	132 kW	...219140	1.6
VKA 4200 LS/VS	200 A		200 A	200 A	200 A	110 kW	...219133	1.7
VKA 4250 LS/VS	250 A		250 A	250 A	250 A	132 kW	...219157	1.7

LOAD BREAK SWITCHES 16-125 A TOGGLE SWITCHES, KUE SERIES

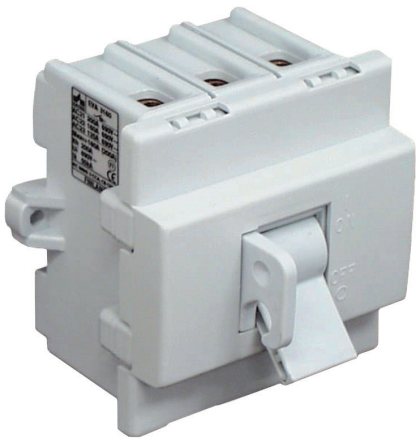


- Compact size
- DIN-rail mounting
- 3-pole
- Switch technology by means of silver contacts ensures safe and durable operation
- Available with adapter to connect the switch to a three-phase section rail. Three different connection heights
- Available with yellow front plate and red toggle add “Y/R” at the end of the product code when ordering



Type	AC-21	400 V	AC-22	400 V	AC-23	400 V	AC-23	690 V	EAN-Code	Weight kg
		415 V		415 V 1)		415 V				
		690 V		690 V 2)		P / kW				
I _e / A		I _e / A	I _e / A	P / kW	I _e / A	P / kW	6419410...			
KUE 316	25 A	16 A	16 A	7,5 kW	16 A	11 kW	...	0.17		
KUE 325	40 A	25 A	25 A	11 kW	20 A	15 kW	...	0.17		
KUE 340	63 A	40 A	25 A	11 kW	20 A	15 kW	...	0.17		
KUE 363	80 A	63 A	40 A	22 kW	32 A	30 kW	...	0.18		
KUE 380	100 A	80 A	63 A	30 kW	32 A	30 kW	...	0.18		
KUE 3125	125 A	125 1) / 80 2) A	63 A	30 kW	32 A	30 kW	...	0.18		
KUE 316 + AD1 + K/KUE	25 A	16 A	16 A	7,5 kW	16 A	11 kW	...	0.21		
KUE 325 + AD1 + K/KUE	40 A	25 A	25 A	11 kW	20 A	15 kW	...	0.21		
KUE 340 + AD1 + K/KUE	63 A	40 A	25 A	11 kW	20 A	15 kW	...	0.21		
KUE 363 + AD1 + K/KUE	80 A	63 A	40 A	22 kW	32 A	30 kW	...	0.22		
KUE 380 + AD1 + K/KUE	100 A	80 A	63 A	30 kW	32 A	30 kW	...	0.22		
KUE 3125 + AD1 + K/KUE	125 A	125 1) / 80 2) A	63 A	30 kW	32 A	30 kW	...	0.22		
ADDITIONAL FRONT PLATES										
K/KUE	Rectangular front plate							...	0.02	
R/KUE	Round front plate							...	0.02	
K/KUE AD	Long front plate							...	0.02	

LOAD BREAK SWITCHES 125-250 A TOGGLE SWITCHES, EVA SERIES



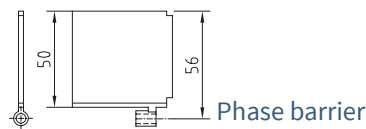
- Compact size
- Switch technology by means of silver contacts ensures a long life expectancy and safe use in demanding conditions

125-160 A:

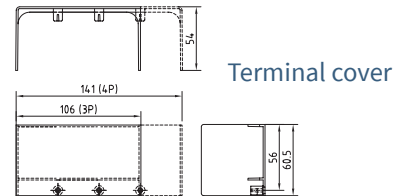
- Available also with yellow front plate and red toggle (Y/R)

200-250 A:

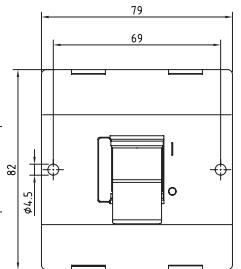
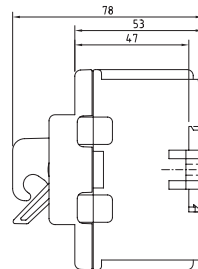
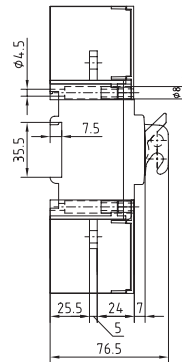
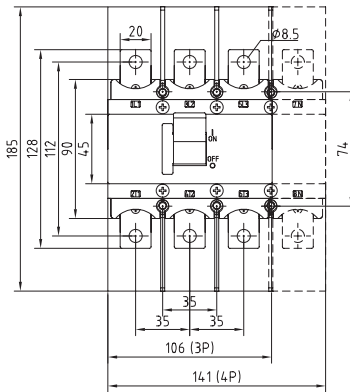
- 3-pole and 4-pole
- Available with terminal covers and phase barriers (LS/VS)
- Available also with red toggle (R)



Phase barrier



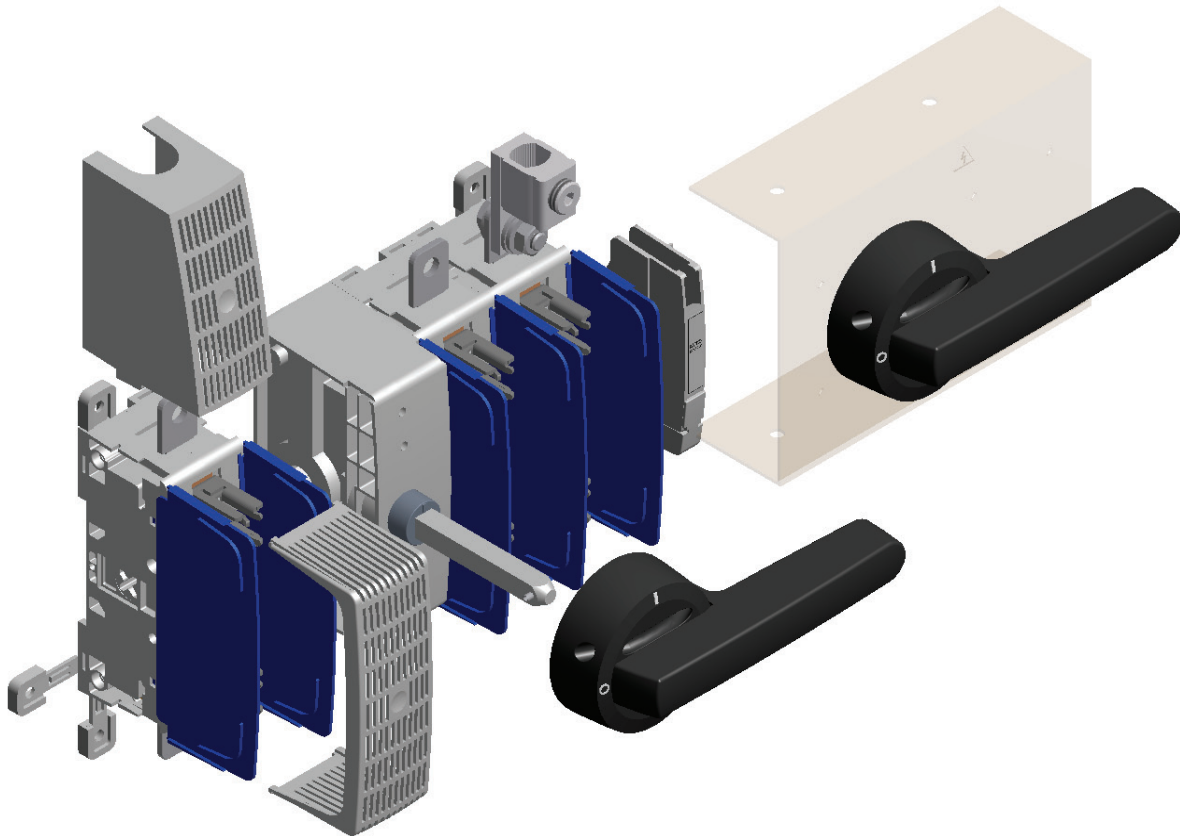
Terminal cover



Type	AC-21		AC-22	AC-23		EAN-Code	Weight kg
	400 V	415 V		400 V	415 V		
	Ie / A		Ie / A		P / kW	6419410...	
EVA 3125+K/EVA	160 A		-		45 kW	...202517	0.51
EVA 3160+K/EVA	200 A		160 A		55 kW	...203019	0.51
EVA 3125+K/EVA R	160 A		-		45 kW	...202524	0.51
EVA 3160+K/EVA R	200 A		160 A		55 kW	...203026	0.51
EVA 3125+K/EVA Y/R	160 A		-		45 kW	...202531	0.51
EVA 3160+K/EVA Y/R	200 A		160 A		55 kW	...203033	0.51

Type	AC-21		AC-22	AC-23		EAN-Code	Weight kg
	400 V	415 V		400 V	415 V		
	Ie / A		Ie / A		P / kW	6419410...	
3-pole							
EVA 3200	200 A		200 A		75 kW	...203156	0.9
EVA 3250	250 A		250 A		90 kW	...203200	0.9
EVA 3200 R	200 A		200 A		75 kW	...203163	0.9
EVA 3250 R	250 A		250 A		90 kW	...203217	0.9
EVA 3200 LS/VS	200 A		200 A		75 kW	...203170	0.9
EVA 3250 LS/VS	250 A		250 A		90 kW	...203224	0.9
EVA 3200 R LS/VS	200 A		200 A		75 kW	...203187	0.9
EVA 3250 R LS/VS	250 A		250 A		90 kW	...203321	0.9
4-pole							
EVA 4200	200 A		200 A		75 kW	...203262	1.1
EVA 4250	250 A		250 A		90 kW	...203309	1.1
EVA 4200 R	200 A		200 A		75 kW	...203279	1.1
EVA 4250 R	250 A		250 A		90 kW	...203316	1.1
EVA 4200 LS/VS	200 A		200 A		75 kW	...203286	1.2
EVA 4250 LS/VS	250 A		250 A		90 kW	...203323	1.2
EVA 4200 R LS/VS	200 A		200 A		75 kW	...203293	1.2
EVA 4250 R LS/VS	250 A		250 A		90 kW	...203330	1.2

LOAD BREAK SWITCHES 125-800 A TECHNICAL DATA FOR VKE & KU SERIES



Structure of a modular switch fuse

LOAD BREAK SWITCHES		VKE						KU		
		125 A	160 A	200 A	250 A	315 A	400 A	630 A	630 A	800 A
Rated insulation voltage, U_i (V)		690	690	1000	1000	1000	1000	1000	1000	1000
Rated thermal current, I_m (A)		160	160	200	250	315	400	630	630	800
Nominal values with cable size (mm ²)		70	70	95	120	185	240	2x185	2x185	2x240
Rated operational current, I_n (A)										
AC-21	400/415V	160	160	200	250	315	400	630	630	800
	500V	160	160	200	250	315	400	630	630	800
	690V	160	160	200	250	315	400	630	630	800
AC-22	400/415V	125	160	200	250	315	400	630	630	800
	500V	125	160	200	250	315	400	630	630	800
	690V	125	160	200	250	315	400	630	630	800
AC-23	400/415V	125	125	200	250	315	400	630	630	800
	500V	125	125	200	250	315	400	500	630	800
	690V	125	125	200	250	315	400	500	630	800
	1000V	-	-	-	-	-	-	-	-	400
Rated operational power for 3-phase (1500 r.p.m.) squirrel cage induction motors (kW)										
AC-23	400/415V	55	55	110	132	160	200	355	355	400
	500V	75	75	132	160	200	250	355	400	560
	690V	90	90	160	250	315	355	500	630	800
Rated fused short circuit current										
Back-up fuse (A)		125	160	250	250	400	400	630	630	800
R.M.S. value, I_c (kA)		80	80	80	80	80	80	80	100	100
Peak value (kA)		12	12	18	18	26	26	32	76	76
Impulse withstand voltage, U_{imp} (kV)		8	8	12	12	12	12	12	12	12
Rated short circuit making capacity, I_{cm} (kA)										
	690V	6	6	7	7	12	12	17	60	60
Rated short time withstand current (1 s), I_{cw} (kA)										
	690V (*1000V)	4	4	5	5	7	7	10	*28	*28
Rated breaking capacity, I_{cn} (A)										
AC-23	400/415V	1000	1000	1600	2000	2520	3200	5040	5040	6400
	500V	1000	1000	1600	2000	2520	3200	4000	5040	6400
	690V	1000	1000	1600	2000	2520	3200	4000	5040	6400
Electrical endurance (number of operations)		2000	2000	2000	2000	2000	2000	2000	2000	2000
Mechanical endurance (number of operations)		16000	16000	16000	16000	1000	10000	10000	10000	10000
Terminals / Bolt size Cu (mm ²)		6-70	6-70	M10	M10	M10	M10	M12	M12	M12
Max terminal torque (Nm)		6	6	30-44	30-44	30-44	30-44	50-75	50-75	50-75

LOAD BREAK SWITCHES VKE SERIES

- The modular structure enables the drive mechanism position to be varied
- Front operated
- Available as 1-,2-3- and 4-pole
- Available with terminal covers (LS)
- Easy to install auxiliary contacts
- **125-160 A** Includes shaft L=220 AD12/T and LK12 handle
- **200-630 A** includes shaft LVK=228 and LK14 handle

Type	AC-21	400 V	AC-22	400 V	AC-23	AC-23	690 V 690 V	EAN-Code	Weight kg	
		415 V		415 V						
		690 V		690 V						
I_e / A		I_e / A	I_e / A		P / kW	I_e / A	P / kW	6419410...		
3-pole										
VKE 3125	160 A		125 A		125 A	55 kW	125 A	90 kW	...205006	1.6
VKE 3160	160 A		160 A		125 A	55 kW	125 A	90 kW	...205013	1.6
VKE 3125 NT	160 A		125 A		125 A	55 kW	125 A	90 kW	...285848	1.9
VKE 3160 NT	160 A		160 A		125 A	55 kW	125 A	90 kW	...285855	1.9
4-pole										
VKE 4125	160 A		125 A		125 A	55 kW	125 A	90 kW	...205020	1.9
VKE 4160	160 A		160 A		125 A	55 kW	125 A	90 kW	...205037	1.9

Type	AC-21	400 V	AC-22	400 V	AC-23	AC-23	690 V 690 V	EAN-Code	Weight kg	
		415 V		415 V						
		690 V		690 V						
I_e / A		I_e / A	I_e / A		P / kW	I_e / A	P / kW	6419410...		
3-pole										
VKE 3200	200 A		200 A		200 A	110 kW	200 A	160 kW	...280010	4.0
VKE 3250	250 A		250 A		250 A	132 kW	250 A	250 kW	...280119	4.0
VKE 3200 NT	200 A		200 A		200 A	110 kW	200 A	160 kW	...285862	4.6
VKE 3250 NT	250 A		250 A		250 A	132 kW	250 A	250 kW	...285879	4.6
4-pole										
VKE 4200	200 A		200 A		200 A	110 kW	200 A	160 kW	...280027	4.6
VKE 4250	250 A		250 A		250 A	132 kW	250 A	250 kW	...280126	4.6
6-pole										
VKE 6200	200 A		200 A		200 A	110 kW	200 A	160 kW	...280607	6.3
VKE 6250	250 A		250 A		250 A	132 kW	250 A	250 kW	...280652	6.3

Type	AC-21	400 V	AC-22	400 V	AC-23	AC-23	690 V 690 V	EAN-Code	Weight kg	
		415 V		415 V						
		690 V		690 V						
I_e / A		I_e / A	I_e / A		P / kW	I_e / A	P / kW	6419410...		
3-pole										
VKE 3315	315 A		315 A		315 A	160 kW	315 A	315 kW	...285886	4.6
VKE 3400	400 A		400 A		400 A	200 kW	400 A	355 kW	...280133	4.6
VKE 3315 NT	315 A		315 A		315 A	160 kW	315 A	315 kW	...285893	5.4
VKE 3400 NT	400 A		400 A		400 A	200 kW	400 A	355 kW	...285916	5.4
4-pole										
VKE 4315	315 A		315 A		315 A	160 kW	315 A	315 kW	...285909	5.4
VKE 4400	400 A		400 A		400 A	200 kW	400 A	355 kW	...280140	5.4
6-pole										
VKE 6315	315 A		315 A		315 A	160 kW	315 A	315 kW	...280706	7.2
VKE 6400	400 A		400 A		400 A	200 kW	400 A	355 kW	...280737	7.2

Type	AC-21	400 V	AC-22	400 V	AC-23	AC-23	690 V 690 V	EAN-Code	Weight kg	
		415 V		415 V						
		690 V		690 V						
I_e / A		I_e / A	I_e / A		P / kW	I_e / A	P / kW	6419410...		
3-pole										
VKE 3630	630 A		630 A		630 A	355 kW	500 A	500 kW	...284858	5.3
VKE 3630 NT	630 A		630 A		630 A	355 kW	500 A	500 kW	...284865	6.6
4-pole										
VKE 4630	630 A		630 A		630 A	355 kW	500 A	500 kW	...280164	6.6
6-pole										
VKE 6630	630 A		630 A		630 A	355 kW	500 A	500 kW	...280751	10.6



KEA Firerated safety switches installed at Keilaniemi metro station in Espoo, Finland

LOAD BREAK SWITCHES KU 630-800A



- Reliable switch for demanding industrial applications
- Made of 100% recyclable thermoplastic material
- The modular structure enables the drive mechanism position to be varied, mention when ordering
- Easy to install auxiliary contacts
- Available with terminal covers and phase barriers
- Available with direct handle or handle (LKX 150) and shaft (LVK=228, 228mm shaft)
- Available with yellow/red handle (LKX 150 Y/R) and different length shaft when ordered separately

With separate handle and shaft

Type		AC-23		AC-23		EAN code		Weight	
		690 V		1000 V		6419410...		kg	
I_e / A	P / kW	I_e / A		6419410...		kg			
3 poles	6 poles			3 poles	6 poles	3 poles	6 poles	3 poles	6 poles
KU 3630	KU 6630	630 A	630 kW	-		...483626	...483664	4.545	8.985
KU 3800	KU 6800	800 A	800 kW	400 A		...483633	...483671	4.545	8.985
KU 3630CO	-	630 A	630 kW	-		...483701	-	8.985	-
KU 3800CO	-	800 A	800 kW	400 A		...483718	-	8.985	-
4 poles	8 poles			4 poles	8 poles	4 poles	8 poles	4 poles	8 poles
KU 4630	KU 8630	630 A	630 kW	-		...483640	...483688	5.645	11.185
KU 4800	KU 8800	800 A	800 kW	400 A		...483657	...483695	5.645	11.185
KU 4630CO	-	630 A	630 kW	-		...483725	-	11.185	-
KU 4800CO	-	800 A	800 kW	400 A		...483732	-	11.185	-

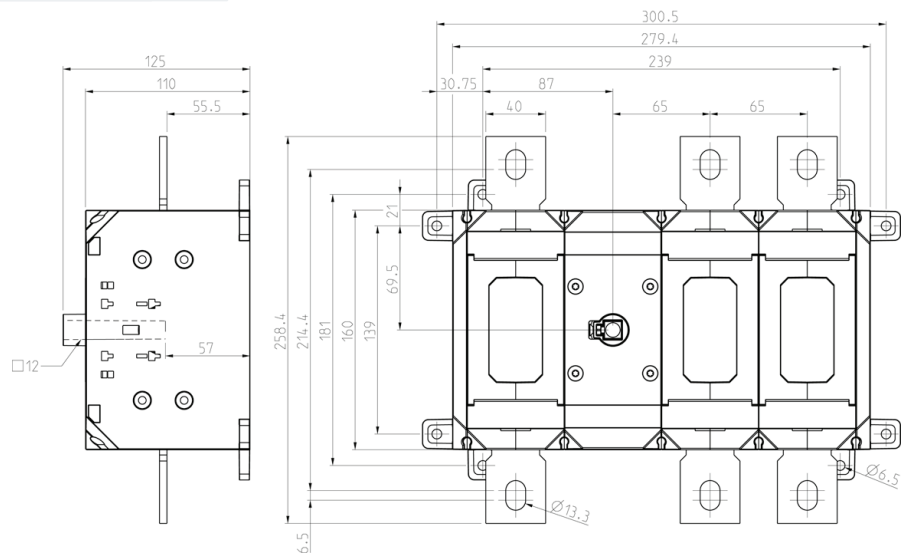
CO = Change-over switch

With direct handle

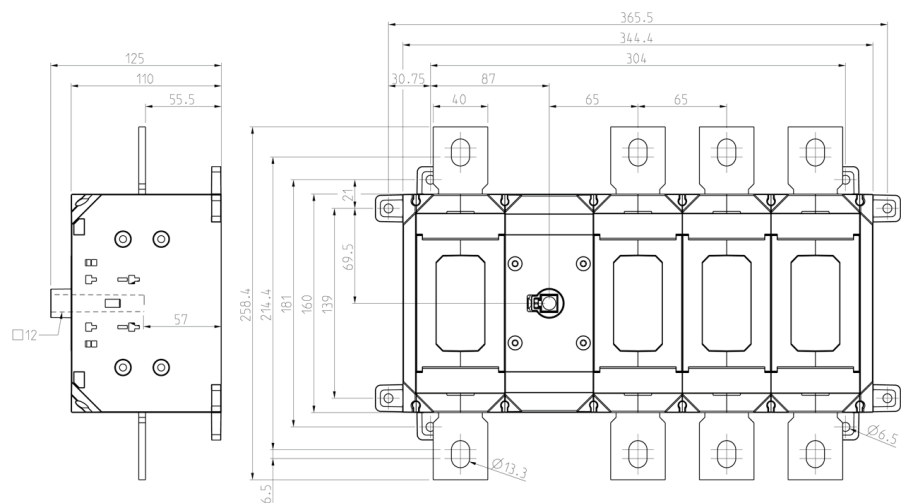
Type		AC-23		AC-23		EAN code		Weight	
		690 V		1000 V		6419410...		kg	
I_e / A	P / kW	I_e / A		6419410...		kg			
3 poles									
KU 3630SV	630 A	630 kW	-		...483992	4.545			
KU 3800SV	800 A	800 kW	400 A		...484005	4.545			
KU 3630CO SV	630 A	630 kW	-		...484036	8.985			
KU 3800CO SV	800 A	800 kW	400 A		...484043	8.985			
4 poles									
KU 4630SV	630 A	630 kW	-		...484012	5.645			
KU 4800SV	800 A	800 kW	400 A		...484029	5.645			
KU 4630CO SV	630 A	630 kW	-		...484050	11.185			
KU 4800CO SV	800 A	800 kW	400 A		...484067	11.185			

CO = Change-over switch

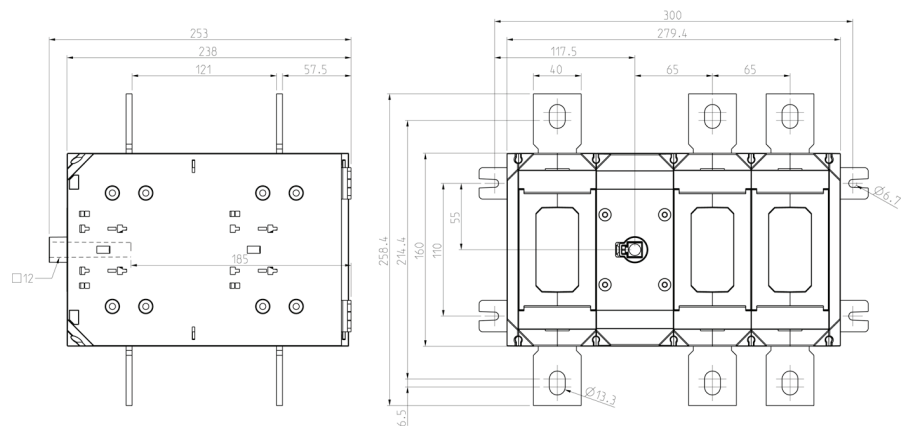
KU 3P



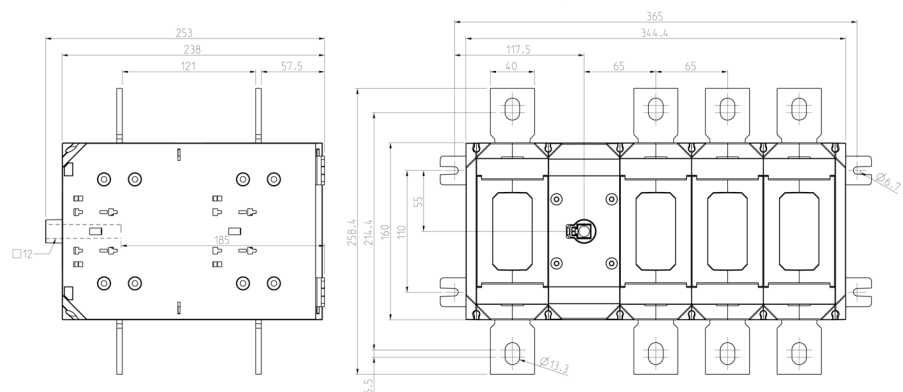
KU 4P



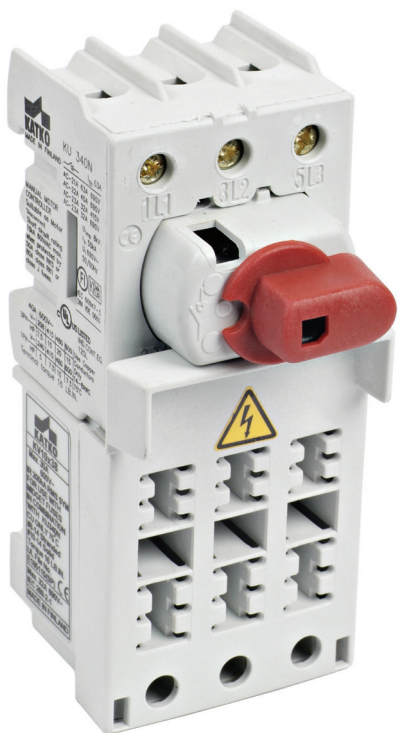
KU 6P



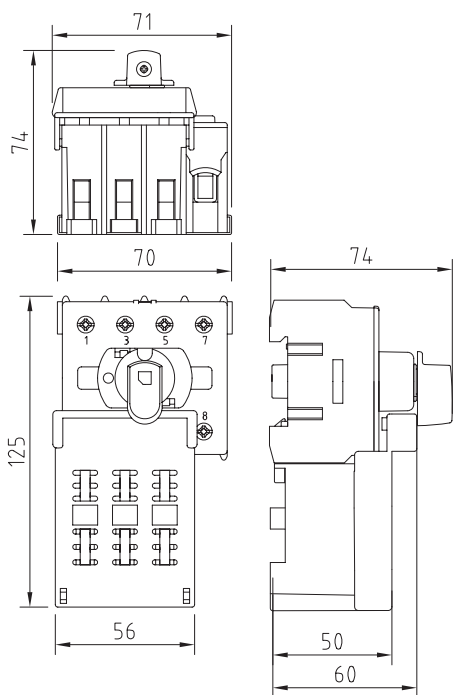
KU 8P



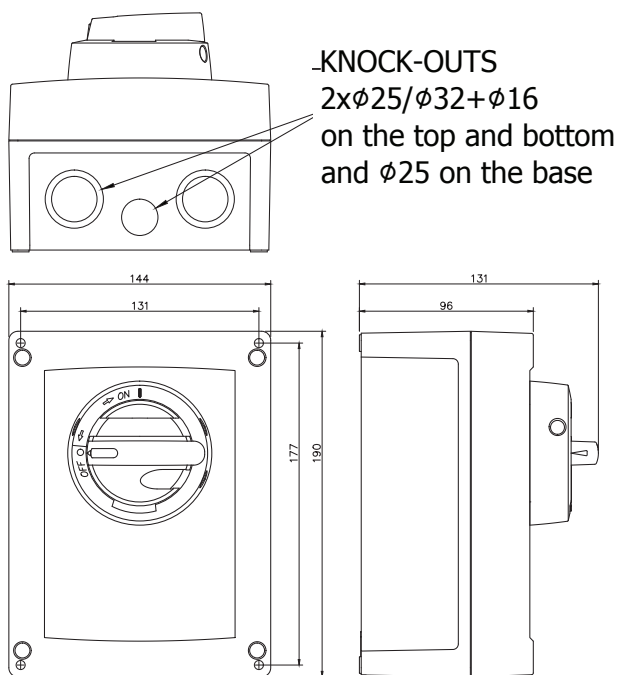
SWITCH FUSES 16-32 A KKV SERIES



- Available as 1-, 2-, 3- and 4-pole
- Consists of a KU-switch and a KV 10 x 38 fuse holder
- Compatible with handles LK10 and LK11
- Shafts L=100/200/300 AD11 and L=100/200/300 AD11/VT



KKV



KKVM

Type	AC-22		AC-23	AC-23		690 V 690 V	EAN code	Weight kg
	400 V	415 V		400 V	415 V			
	I_e / A		I_e / A	P / kW	I_e / A	P / kW	6419410...	
3-pole								
KKV 316	16 A		16 A	7,5 kW	16 A	11 kW	...212608	0.318
KKV 325	25 A		25 A	11 kW	25 A	22 kW	...212707	0.318
KKV 332	32 A		32 A	15 kW	32 A	30 kW	...212806	0.318
4-pole								
KKV 416	16 A		16 A	7,5 kW	16 A	11 kW	...212653	0.362
KKV 425	25 A		25 A	11 kW	25 A	22 kW	...212752	0.362
KKV 432	32 A		32 A	15 kW	32 A	30 kW	...212851	0.362

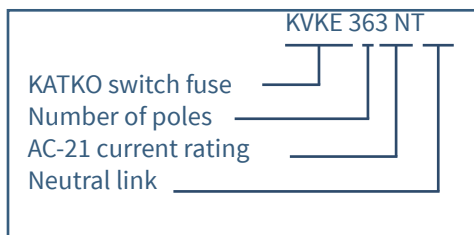
SWITCH FUSES 20-630 A

TECHNICAL DATA FOR KVKE SERIES

SWITCH FUSES		20A	32A	63A	80A	100A	125A	160A	200A	250A	315A	400A	630A
Rated insulation voltage, U _i (V)		1000	1000	690	690	690	690	690	1000	1000	1000	1000	1000
Rated thermal current, I _{th} (A) ¹⁾		20	32	63	80	100	125	160	200	250	315	400	630
Nominal values with cable size (mm ²)		4	6	16	25	35	50	70	95	120	185	240	2x185
Rated operational current, I _n (A)													
AC-21	400/415V	20	32	63	80	100	125	160	200	250	315	400	630
	500V	-	-	63	80	100	125	160	200	250	315	400	630
	690V	-	-	63	80	100	125	160	200	250	315	400	630
AC-22	400/415V	20	32	63	80	100	125	160	200	250	315	400	630
	500V	-	-	63	80	100	125	160	200	250	315	400	630
	690V	-	-	63	80	100	125	160	200	250	315	400	630
AC-23	400/415V	20	32	63	80	100	125	125	200	250	315	400	630
	500V	-	-	63	80	100	125	125	200	250	315	400	500
	690V	-	-	63	80	100	125	125	200	250	315	400	500
Rated operational power for 3-phase (1500 r.p.m.) squirrel cage induction motors (kW)													
AC-23	400/415V	10	15	30	45	55	55	55	110	132	160	200	355
	500V	-	-	37	55	55	75	75	132	160	200	250	355
	690V	-	-	55	75	90	110	110	160	250	315	355	500
Rated fused short circuit current													
Back-up fuse (A)		32	32	63	80	100	125	160	200	250	400	400	630
R.M.S. value, I _r (kA)		50	50	80	80	80	80	80	80	80	80	80	80
Peak value (kA)		-	-	12	12	12	12	12	18	18	26	26	32
Impulse withstand voltage, U _{imp} (kV)		8	8	8	8	8	8	8	12	12	12	12	12
Rated short circuit making capacity, I _{cm} (kA)													
690V		-	-	6	6	6	6	6	7	7	12	12	17
Rated short time withstand current (1 s), I _{cs} (kA)													
690V		-	-	4	4	4	4	4	5	5	7	7	10
Rated breaking capacity, I _{cn} (A)													
AC-23	400/415V	160	256	504	640	800	1000	1000	1600	2000	2520	3200	5040
	500V	-	-	504	640	800	1000	1000	1600	2000	2520	3200	4000
	690V	-	-	504	640	800	1000	1000	1600	2000	2520	3200	4000
Electrical endurance (operations)		2000	2000	2000	2000	2000	2000	2000	2000	2000	2000	2000	2000
Mechanical endurance (operations)		20000	20000	20000	20000	20000	20000	20000	16000	16000	10000	10000	10000
Terminals / Bolt size Cu (mm ²)		2,5-35	2,5-35	6-70	6-70	6-70	6-70	6-70	M10	M10	M10	M10	M12
Max terminal torque (Nm)		2.2	2.2	6	6	6	6	6	30-44	30-44	30-44	30-44	50-75
Fuse type	DIN	10x38	10x38	000/00	000/00	000/00	000/00	000/00	1	1	2	2	3
	BS88	A1	A1	A2-A3	A2-A3	A2-A3	A2-A3	A2-A3	B1-B2	B1-B3	B1-B4	B1-B4	B1-B4
	size of screws	M4	M4	M5	M5	M5	M5	M5	M10	M10	M10	M10	M12
	fixing centres (mm)	44,5	44,5	73	73	73	73	73	111	111	111	111	111
	torque (Nm)	1,8	1,8	3	3	3	3	3	15	15	15	15	15

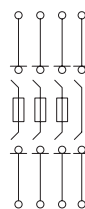
NEUTRAL LINKS FOR KVKE SWITCH FUSES

All KVKE switches are available with the neutral links specified below. Product code example:

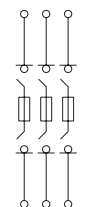


¹⁾ KVKE 63-630A mounting in horizontal position:
Derating 0% in ventilated enclosure, ambient temperature ≤ 40 °C
Derating 5% totally enclosed (KVKE 63-400A)
Derating 8% totally enclosed (KVKE 630A)

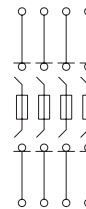
Switched neutral (all standard 4P switch fuses)



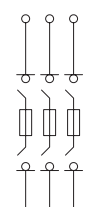
Solid neutral, NT
Uninsulated solid neutral, NU



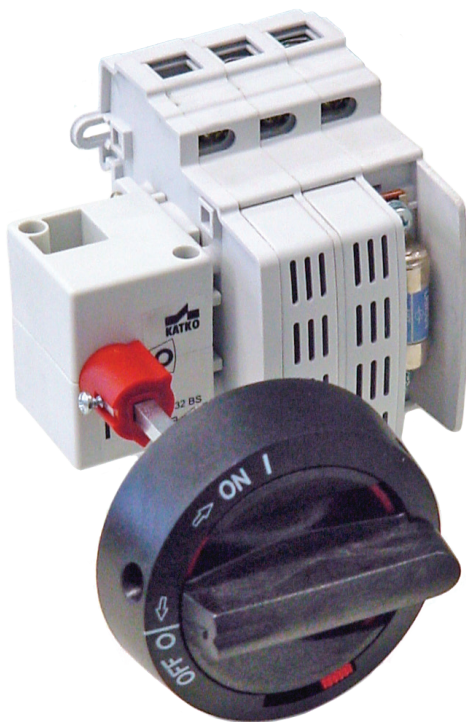
Fused switched neutral, F



Detachable neutral, NL

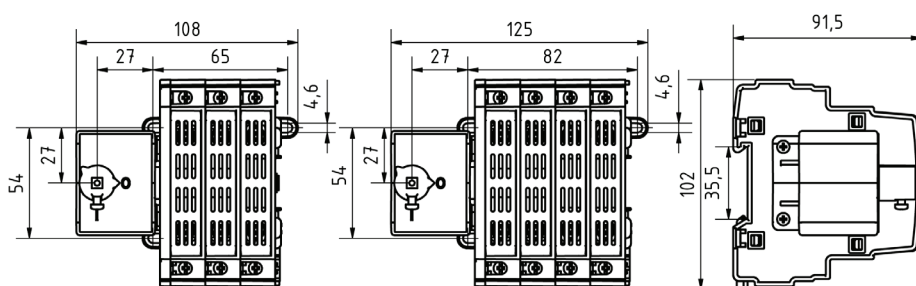


SWITCH FUSES 20-160 A KVKE SERIES



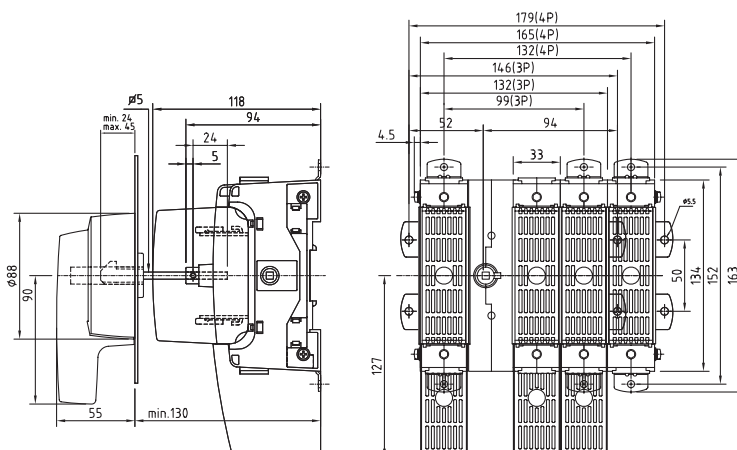
KVKE 20-32 A

- 10x38 & BS A1 fuse versions
- DIN rail and screw base mounting as standard
- Available as 3-pole and 4-pole version, 1-pole and 2-pole versions on request
- Handle LK10 and shaft L=180 mm included, suitable for 250 mm deep panel boards
- Fuse covers included
- Black or yellow/red handle, add Y/R to description



KVKE 63-160 A

- DIN & BS fuse versions
- Four breaking points per phase
- Connecting silver rivets have a silver alloy 350 um thick, thus ensuring a long life expectancy and safe use in demanding conditions
- Compact size saves space
- Modular structure enables position of drive mechanism to be varied
- Available as 1-,2-,3- and 4-pole (200-630 A also 6-pole)
- Black or yellow/red handle (add Y/R to description)
- Auxiliary contacts are easy to install
- Fuse covers included, terminal covers as accessory
- **63-160 A** includes handle LK12 and shaft L=220
- **200-630 A** includes handle LK14 and shaft LVK=228



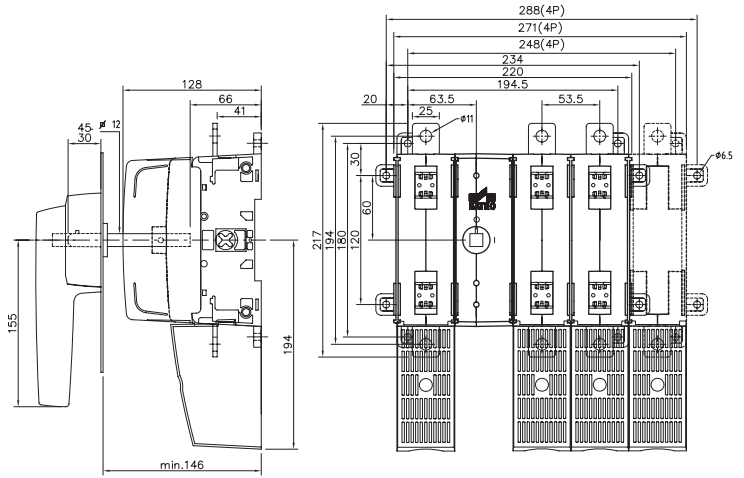
SWITCH FUSES 20-160 A KVKE SERIES

Type	AC-21	400 V	AC-22	400 V	AC-23	400 V	EAN-Code	Weight kg		
		415 V		415 V		415 V				
		I_n / A	I_n / A		I_n / A	P / kW	6419410...			
DIN FUSE VERSION										
3-pole										
KVKE 320	20 A		20 A		20 A	10 kW	...289006	0.55		
KVKE 332	32 A		32 A		32 A	15 kW	...289013	0.55		
4-pole										
KVKE 420	20 A		20 A		20 A	10 kW	...289020	0.68		
KVKE 432	32 A		32 A		32 A	15 kW	...289037	0.68		
BS FUSE VERSION										
3-pole										
KVKE 320 BS	20 A		20 A		20 A	10 kW	...285220	0.55		
KVKE 332 BS	32 A		32 A		32 A	15 kW	...285244	0.55		
4-pole										
KVKE 420 BS	20 A		20 A		20 A	10 kW	...285237	0.68		
KVKE 432 BS	32 A		32 A		32 A	15 kW	...285251	0.68		
Type	AC-21	400 V	AC-22	400 V	AC-23	400 V	AC-23	690 V 690 V	EAN-Code	Weight kg
		415 V		415 V		415 V				
		I_n / A	I_n / A		I_n / A	P / kW	I_n / A	P / kW	6419410...	
DIN FUSE VERSION										
3-pole										
KVKE 363	63 A		63 A		63 A	30 kW	63 A	55 kW	...286029	1.7
KVKE 380	80 A		80 A		80 A	45 kW	80 A	75 kW	...286043	1.7
KVKE 3100	100 A		100 A		100 A	55 kW	100 A	90 kW	...286067	1.7
KVKE 3125	125 A		125 A		125 A	55 kW	125 A	110 kW	...286081	1.7
KVKE 3160	160 A		160 A		125 A	55 kW	125 A	110 kW	...286104	1.7
KVKE 363 NT	63 A		63 A		63 A	30 kW	63 A	55 kW	...285640	2.0
KVKE 380 NT	80 A		80 A		80 A	45 kW	80 A	75 kW	...284377	2.0
KVKE 3100 NT	100 A		100 A		100 A	55 kW	100 A	90 kW	...284384	2.0
KVKE 3125 NT	125 A		125 A		125 A	55 kW	125 A	110 kW	...285657	2.0
KVKE 3160 NT	160 A		160 A		125 A	55 kW	125 A	110 kW	...285664	2.0
KVKE 363 NL	63 A		63 A		63 A	30 kW	63 A	55 kW	...285749	2.0
KVKE 380 NL	80 A		80 A		80 A	45 kW	80 A	75 kW	...284452	2.0
KVKE 3100 NL	100 A		100 A		100 A	55 kW	100 A	90 kW	...284469	2.0
KVKE 3125 NL	125 A		125 A		125 A	55 kW	125 A	110 kW	...285756	2.0
KVKE 3160 NL	160 A		160 A		125 A	55 kW	125 A	110 kW	...285763	2.0
4-pole										
KVKE 463	63 A		63 A		63 A	30 kW	63 A	55 kW	...286128	2.0
KVKE 480	80 A		80 A		80 A	45 kW	80 A	75 kW	...286142	2.0
KVKE 4100	100 A		100 A		100 A	55 kW	100 A	90 kW	...286166	2.0
KVKE 4125	125 A		125 A		125 A	55 kW	125 A	110 kW	...286180	2.0
KVKE 4160	160 A		160 A		125 A	55 kW	125 A	110 kW	...286203	2.0
KVKE 463 F	63 A		63 A		63 A	30 kW	63 A	55 kW	...285541	2.0
KVKE 480 F	80 A		80 A		80 A	45 kW	80 A	75 kW	...284292	2.0
KVKE 4100 F	100 A		100 A		100 A	55 kW	100 A	90 kW	...284308	2.0
KVKE 4125 F	125 A		125 A		125 A	55 kW	125 A	110 kW	...285558	2.0
KVKE 4160 F	160 A		160 A		125 A	55 kW	125 A	110 kW	...285565	2.0
BS FUSE VERSION										
3-pole										
KVKE 363 BS	63 A		63 A		63 A	30 kW	63 A	55 kW	...286227	1.7
KVKE 380 BS	80 A		80 A		80 A	45 kW	80 A	75 kW	...286241	1.7
KVKE 3100 BS	100 A		100 A		100 A	55 kW	100 A	90 kW	...286265	1.7
KVKE 3125 BS	125 A		125 A		125 A	55 kW	125 A	110 kW	...286289	1.7
KVKE 3160 BS	160 A		160 A		125 A	55 kW	125 A	110 kW	...285312	1.7
KVKE 363 NT BS	63 A		63 A		63 A	30 kW	63 A	55 kW	...285695	2.0
KVKE 380 NT BS	80 A		80 A		80 A	45 kW	80 A	75 kW	...284414	2.0
KVKE 3100 NT BS	100 A		100 A		100 A	55 kW	100 A	90 kW	...284421	2.0
KVKE 3125 NT BS	125 A		125 A		125 A	55 kW	125 A	110 kW	...285701	2.0
KVKE 3160 NT BS	160 A		160 A		125 A	55 kW	125 A	110 kW	...285718	2.0
KVKE 363 NL BS	63 A		63 A		63 A	30 kW	63 A	55 kW	...285794	2.0
KVKE 380 NL BS	80 A		80 A		80 A	45 kW	80 A	75 kW	...284490	2.0
KVKE 3100 NL BS	100 A		100 A		100 A	55 kW	100 A	90 kW	...284506	2.0
KVKE 3125 NL BS	125 A		125 A		125 A	55 kW	125 A	110 kW	...285800	2.0
KVKE 3160 NL BS	160 A		160 A		125 A	55 kW	125 A	110 kW	...285817	2.0
4-pole										
KVKE 463 BS	63 A		63 A		63 A	30 kW	63 A	55 kW	...286302	2.0
KVKE 480 BS	80 A		80 A		80 A	45 kW	80 A	75 kW	...286326	2.0
KVKE 4100 BS	100 A		100 A		100 A	55 kW	100 A	90 kW	...286340	2.0
KVKE 4125 BS	125 A		125 A		125 A	55 kW	125 A	110 kW	...286364	2.0
KVKE 4160 BS	160 A		160 A		125 A	55 kW	125 A	110 kW	...285350	2.0
KVKE 463 F BS	63 A		63 A		63 A	30 kW	63 A	55 kW	...285596	2.0
KVKE 480 F BS	80 A		80 A		80 A	45 kW	80 A	75 kW	...284339	2.0
KVKE 4100 F BS	100 A		100 A		100 A	55 kW	100 A	90 kW	...284346	2.0
KVKE 4125 F BS	125 A		125 A		125 A	55 kW	125 A	110 kW	...285602	2.0
KVKE 4160 F BS	160 A		160 A		125 A	55 kW	125 A	110 kW	...285619	2.0

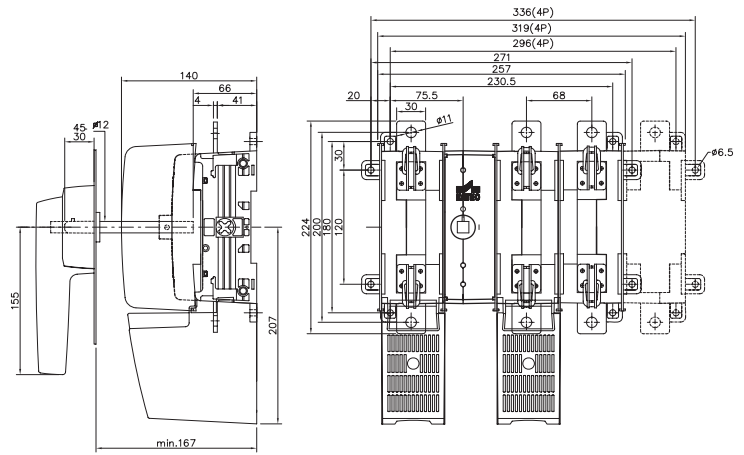
SWITCH FUSES 200-630 A KVKE



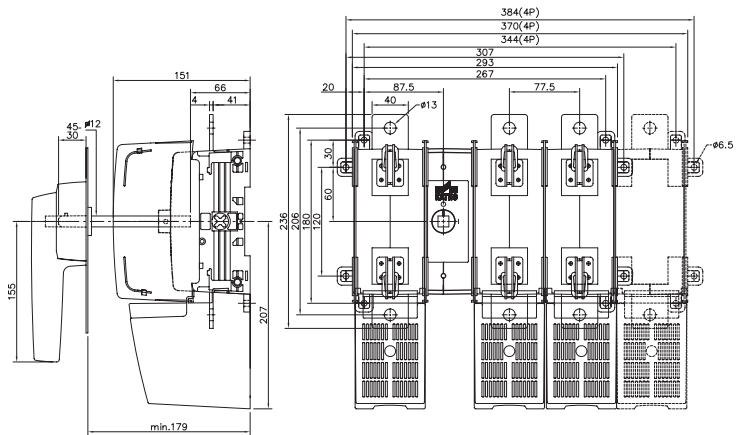
KVKE 200-250 A



KVKE 315-400 A



KVKE 630 A



SWITCH FUSES 200-630 A KVKE

Type	AC-21		AC-22	AC-23		AC-23	690 V 690 V	EAN-Code 6419410...	Weight kg	
	400 V	415 V		400 V	415 V					
	690 V		690 V		400 V	415 V	P / kW	I _n / A	P / kW	
DIN FUSE VERSION										
3-pole										
KVKE 3200	200 A		200 A	200 A	200 A	110 kW	200 A	160 kW	...287682	4.0
KVKE 3250	250 A		250 A	250 A	250 A	132 kW	250 A	250 kW	...287705	4.0
KVKE 3200 NT	200 A		200 A	200 A	200 A	110 kW	200 A	160 kW	...284391	4.7
KVKE 3250 NT	250 A		250 A	250 A	250 A	132 kW	250 A	250 kW	...285671	4.7
KVKE 3200 NL	200 A		200 A	200 A	200 A	110 kW	200 A	160 kW	...284476	4.7
KVKE 3250 NL	250 A		250 A	250 A	250 A	132 kW	250 A	250 kW	...285770	4.7
4-pole										
KVKE 4200	200 A		200 A	200 A	200 A	110 kW	200 A	160 kW	...287699	4.7
KVKE 4250	250 A		250 A	250 A	250 A	132 kW	250 A	250 kW	...287712	4.7
KVKE 4200 F	200 A		200 A	200 A	200 A	110 kW	200 A	160 kW	...284315	4.7
KVKE 4250 F	250 A		250 A	250 A	250 A	132 kW	250 A	250 kW	...285572	4.7
BS FUSE VERSION										
3-pole										
KVKE 3200 BS	200 A		200 A	200 A	200 A	110 kW	200 A	160 kW	...287644	4.0
KVKE 3250 BS	250 A		250 A	250 A	250 A	132 kW	250 A	250 kW	...287651	4.0
KVKE 3200 NT BS	200 A		200 A	200 A	200 A	110 kW	200 A	160 kW	...284438	4.7
KVKE 3250 NT BS	250 A		250 A	250 A	250 A	132 kW	250 A	250 kW	...285725	4.7
KVKE 3200 NL BS	200 A		200 A	200 A	200 A	110 kW	200 A	160 kW	...284513	4.7
KVKE 3250 NL BS	250 A		250 A	250 A	250 A	132 kW	250 A	250 kW	...285824	4.7
4-pole										
KVKE 4200 BS	200 A		200 A	200 A	200 A	110 kW	200 A	160 kW	...287668	4.7
KVKE 4250 BS	250 A		250 A	250 A	250 A	132 kW	250 A	250 kW	...287675	4.7
KVKE 4200 F BS	200 A		200 A	200 A	200 A	110 kW	200 A	160 kW	...284353	4.7
KVKE 4250 F BS	250 A		250 A	250 A	250 A	132 kW	250 A	250 kW	...285626	4.7

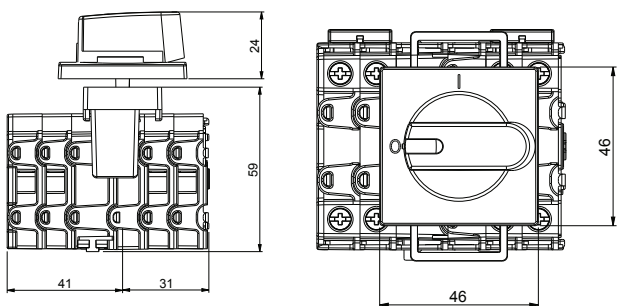
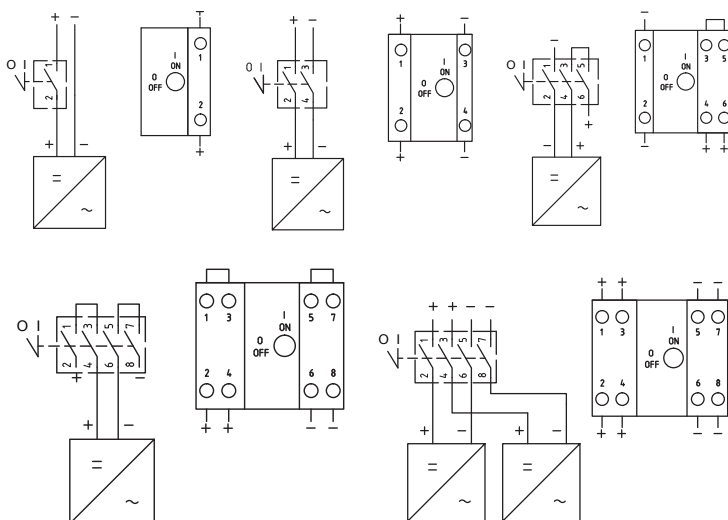
Type	AC-21		AC-22	AC-23		AC-23	690 V 690 V	EAN-Code 6419410...	Weight kg	
	400 V	415 V		400 V	415 V					
	690 V		690 V		400 V	415 V	P / kW	I _n / A	P / kW	
DIN FUSE VERSION										
3-pole										
KVKE 3315	315 A		315 A	315 A	315 A	160 kW	315 A	315 kW	...284537	5.2
KVKE 3400	400 A		400 A	400 A	400 A	200 kW	400 A	355 kW	...287835	5.2
KVKE 3315 NT	315 A		315 A	315 A	315 A	160 kW	315 A	315 kW	...284407	6.1
KVKE 3400 NT	400 A		400 A	400 A	400 A	200 kW	400 A	355 kW	...285688	6.1
KVKE 3315 NL	315 A		315 A	315 A	315 A	160 kW	315 A	315 kW	...284483	6.1
KVKE 3400 NL	400 A		400 A	400 A	400 A	200 kW	400 A	355 kW	...285787	6.1
4-pole										
KVKE 4315	315 A		315 A	315 A	315 A	160 kW	315 A	315 kW	...284544	6.1
KVKE 4400	400 A		400 A	400 A	400 A	200 kW	400 A	355 kW	...287841	6.1
KVKE 4315 F	315 A		315 A	315 A	315 A	160 kW	315 A	315 kW	...284322	6.1
KVKE 4400 F	400 A		400 A	400 A	400 A	200 kW	400 A	355 kW	...285589	6.1
BS FUSE VERSION										
3-pole										
KVKE 3315 BS	315 A		315 A	315 A	315 A	160 kW	315 A	315 kW	...284551	5.2
KVKE 3400 BS	400 A		400 A	400 A	400 A	200 kW	400 A	355 kW	...287941	5.2
KVKE 3315 NT BS	315 A		315 A	315 A	315 A	160 kW	315 A	315 kW	...284445	6.1
KVKE 3400 NT BS	400 A		400 A	400 A	400 A	200 kW	400 A	355 kW	...285732	6.1
KVKE 3315 NL BS	315 A		315 A	315 A	315 A	160 kW	315 A	315 kW	...284520	6.1
KVKE 3400 NL BS	400 A		400 A	400 A	400 A	200 kW	400 A	355 kW	...285831	6.1
4-pole										
KVKE 4315 BS	315 A		315 A	315 A	315 A	160 kW	315 A	315 kW	...284568	6.1
KVKE 4400 BS	400 A		400 A	400 A	400 A	200 kW	400 A	355 kW	...287958	6.1
KVKE 4315 F BS	315 A		315 A	315 A	315 A	160 kW	315 A	315 kW	...284360	6.1
KVKE 4400 F BS	400 A		400 A	400 A	400 A	200 kW	400 A	355 kW	...285633	6.1

Type	AC-21		AC-22	AC-23		AC-23	690 V	EAN-Code 6419410...	Weight kg	
	400 V	415 V		400 V	415 V					
	690 V		690 V		400 V	415 V	P / kW	I _n / A	P / kW	
DIN FUSE VERSION										
3-pole										
KVKE 3630	630 A		630 A	630 A	630 A	355 kW	500 A	500 kW	...284759	6.2
KVKE 3630 NT	630 A		630 A	630 A	630 A	355 kW	500 A	500 kW	...284766	7.4
KVKE 3630 NL	630 A		630 A	630 A	630 A	355 kW	500 A	500 kW	...284773	7.4
4-pole										
KVKE 4630	630 A		630 A	630 A	630 A	355 kW	500 A	500 kW	...284827	7.4
KVKE 4630 F	630 A		630 A	630 A	630 A	355 kW	500 A	500 kW	...284834	7.4
BS FUSE VERSION										
3-pole										
KVKE 3630 BS	630 A		630 A	630 A	630 A	355 kW	500 A	500 kW	...284780	6.2
KVKE 3630 NT BS	630 A		630 A	630 A	630 A	355 kW	500 A	500 kW	...284797	7.4
KVKE 3630 NL BS	630 A		630 A	630 A	630 A	355 kW	500 A	500 kW	...284803	7.4
4-pole										
KVKE 4630 BS	630 A		630 A	630 A	630 A	355 kW	500 A	500 kW	...284735	7.4
KVKE 4630 F BS	630 A		630 A	630 A	630 A	355 kW	500 A	500 kW	...284919	7.4

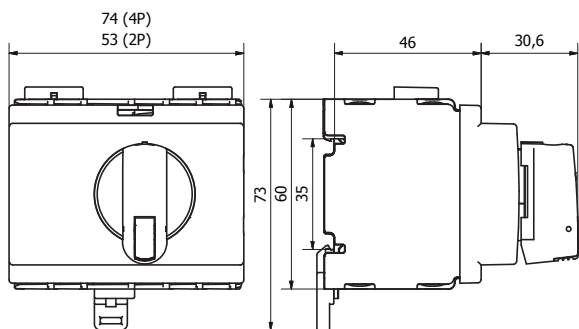
PHOTOVOLTAIC DC SWITCH DISCONNECTOR



- Up to 32 A 1200 V DC, DC21B
- Compact size DC load break switch (PV)
- 1, 2, 3 and 4 pole versions
- Compatible with K/PV 2P and K/PV 4P front plates, LK10 handle and L=100/200/300 AD11 shafts
- Wide operating temperature range
- Padlockable LK10
- LK10 with door interlock with defeat mechanism
- Pollution degree 3, I_{cw} = 0,8 kA (1s), I_{cm} = 1,128 kA



PV with OKA/PV 4P



PV with K/PV 4P

Type	DC-21B	DC-PV2	EAN-Code 6419410...	Weight kg
2-pole - open type				
PV 216	16A 1000V	1000V 6A / 500V 16A	...216187	0.14
PV 225	20A 1000V	1000V 8A / 500V 20A	...216194	0.14
PV 232	25A 1000V	1000V 10A / 500V 25A	...216200	0.14
4-pole - open type				
PV 416	16A 1200V	1000V 16A	...216248	0.21
PV 425	25A 1200V	1000V 25A	...216255	0.21
PV 432	32A 1200V	1000V 32A	...216262	0.21
PV 4400	400A 1500V	-	...483763	5.65
2-pole - Polycarbonate enclosure				
PVM 216	16A 1000V	1000V 6A / 500V 16A	...325445	0.35
PVM 225	20A 1000V	1000V 8A / 500V 20A	...325452	0.35
PVM 232	25A 1000V	1000V 10A / 500V 25A	...325469	0.35
4-pole - Polycarbonate enclosure				
PVM 416	16A 1200V	1000V 16A	...325506	0.42
PVM 425	25A 1200V	1000V 25A	...325513	0.42
PVM 432	32A 1200V	1000V 32A	...325520	0.42
2-pole - Aluminium enclosure				
PVA 216	16A 1000V	1000V 6A / 500V 16A	...333280	0.75
PVA 225	20A 1000V	1000V 8A / 500V 20A	...333297	0.75
PVA 232	25A 1000V	1000V 10A / 500V 25A	...333303	0.75
4-pole - Aluminium enclosure				
PVA 416	16A 1200V	1000V 16A	...333341	0.82
PVA 425	25A 1200V	1000V 25A	...333358	0.82
PVA 432	32A 1200V	1000V 32A	...333365	0.82

For DC-PV2: I_m(make) and I_b(break) is tested 4 x I_e for five operating cycles

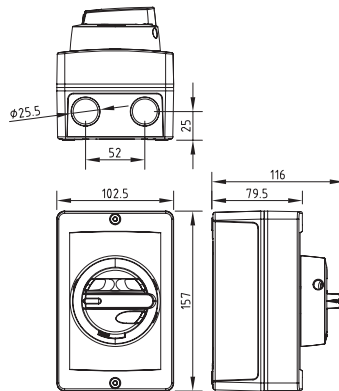
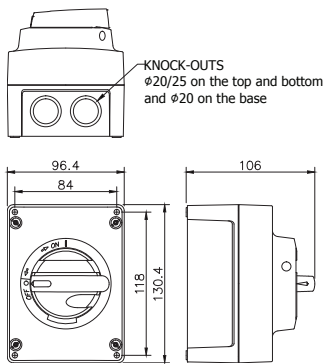
ENCLOSED DC ISOLATOR SWITCH DISCONNECTOR



- Up to 32 A 1200 V DC, DC21B, and 32 A 1000 V DC, DC-PV2
- Available in Polycarbonate and Aluminium enclosures
- IP 66; IP 66NW outdoor use (AS/NZS 60947,3:2018)
- Enclosure types U2 (PVM) and A2 (PVA)
- Self-extinguishing material
- Wide operating temperature range
- Padlockable
- Door interlock with defeat mechanism
- Excellent insulating properties
- Good UV resistance
- Good resistance against many chemicals

U2

A2



PV 4400 dimensional drawing (4P), see page 51

Accessories	Description	EAN code 6419410...
Direct handles		
K/PV 2P	2 pole	...216347
K/PV 4P	4 pole	...216316
Door mounting kits		
OKA/PV 2.P	2 pole	...224908
OKA/PV 4.P	4 pole	...224915
Handles		
LK 10	Black handle	...222539
LK 10 Y/R	Yellow/red handle	...222553
LK 10Y	Yellow handle	...222799
Shafts		
L 100 AD11	100mm steel shaft	...253106
L 200 AD11	200mm steel shaft	...253113
L 300 AD11	300mm steel shaft	...253120
PV 4400 accessories		
LKX 150 Y	Yellow handle	...483787
VS 800	Phase barrier	...483756
SV 800 KIT	Direct handle	...483749

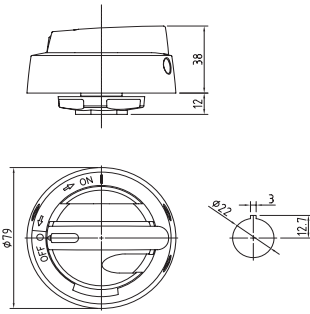
	PV 216	PV 225	PV 232	PV 416	PV 425	PV 432		
LOAD BREAK SWITCH								
SAFETY SWITCH, POLYCARBONATE, U2	PVM 216	PVM 225	PVM 232	PVM 416	PVM 425	PVM 432	PV 4400	
SAFETY SWITCH, ALUMINIUM, A2	PVA 216	PVA 225	PVA 232	PVA 416	PVA 425	PVA 432		
Number of poles in series	2	2	2	4	4	4	4	
Rated insulation voltage	U_i (V)	1200	1200	1200	1200	1200	1500	
Impulse withstand voltage	U_{imp} (kV)	8	8	8	8	8	12	
Rated thermal current, open air	I_{th} (A)	16	25	32	16	25	32	
Rated thermal current, enclosed ambient +40°C	I_{thc} (A)	16	25	32	16	25	32	
Rated thermal current, enclosed ambient +60°C	I_{th60} (A)	16	25	32	16	25	32	
Nominal values with cable sizes (mm ²)		2.5	4	6	2.5	4	6	
Rated operational current	U_o (VDC)							
DC-21B / DC-PV2*	300V	16/16*	25/20*	32/25*	16/16*	25/25*	32/32*	400/-*
	400V	16/16*	25/20*	32/25*	16/16*	25/25*	32/32*	400/-*
	500V	16/16*	25/20*	32/25*	16/16*	25/25*	32/32*	400/-*
	600V	16/8*	25/10*	32/12*	16/16*	25/25*	32/32*	400/-*
	700V	16/6*	20/8*	25/10*	16/16*	25/25*	32/32*	400/-*
	800V	16/6*	20/8*	25/10*	16/16*	25/25*	32/32*	400/-*
	900V	16/6*	20/8*	25/10*	16/16*	25/25*	32/32*	400/-*
	1000V	16/6*	20/8*	25/10*	16/16*	25/25*	32/32*	400/-*
	1200V	10/-*	12/-*	16/-*	16/-*	25/-*	32/-*	400/-*
	1500V	-/-*	-/-*	-/-*	-/-*	-/-*	-/-*	400/-*
Rated short circuit making capacity	I_{cm} (A)	1100	1100	1100	1100	1100	1100	
Rated short time withstand current	I_{cw} (A)	800	800	800	800	800	800	
Mechanical endurance		20000	20000	20000	20000	20000	10000	
Terminals / **Bolt size	Cu (mm ²)	1.5-16	1.5-16	1.5-16	1.5-16	1.5-16	**M12	
Terminal torque	(Nm)	1.8	1.8	1.8	1.8	1.8	50-75	

For DC-PV2: I(make) and Ic(break) is tested 4 x le for five operating cycles

ACCESSORIES HANDLES



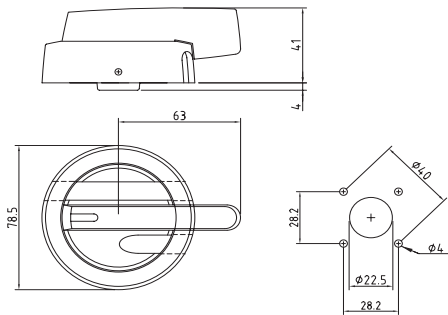
LK10 Y/R



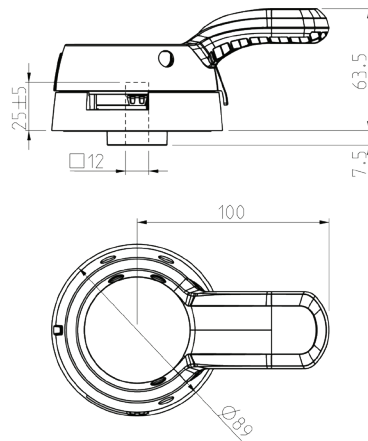
- Padlocking in OFF-position prevents access to the actuator (LK10 and LK11 available as position 1 lockable version)
- Door interlock with defeat mechanism
- Available in black or yellow/red (Y/R)
- LK10: IP66
- LK11: IP66
- LK11 IP69K: IP67 / IP69K
- LK12-LK14: IP65
- LKX 100-150: IP66NW



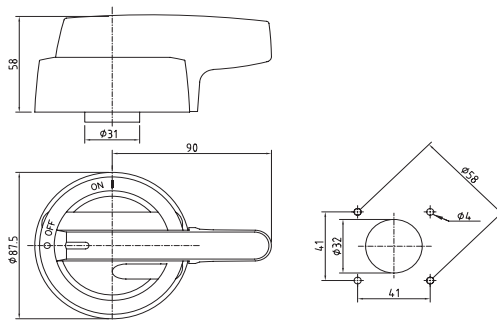
LK11



LKX 100

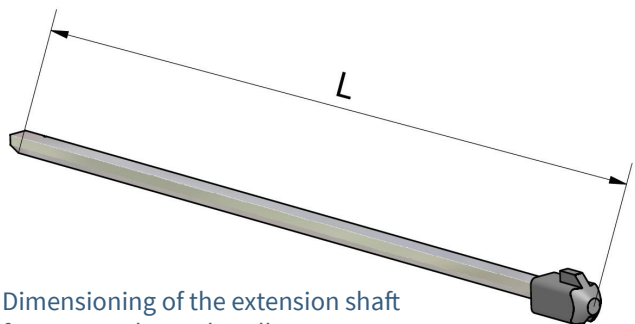


LK12



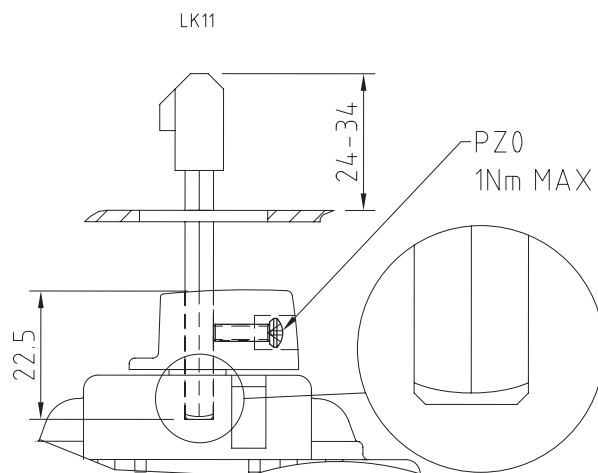
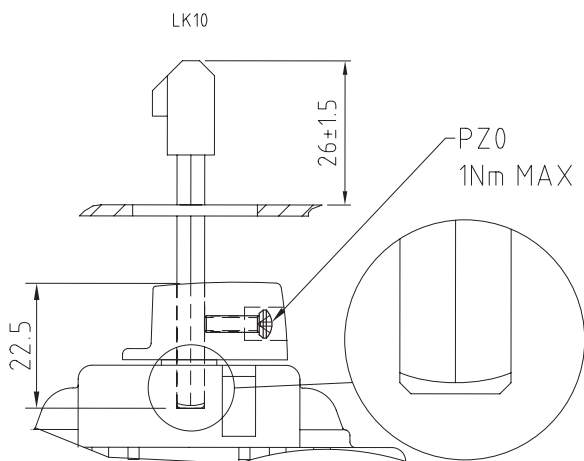


ACCESSORIES SHAFTS



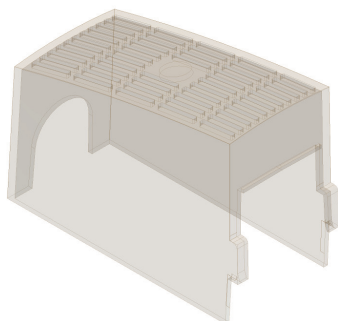
Dimensioning of the extension shaft for LK10 and LK11 handles

- With adapter AD11 for LK10 and LK11
- Length 100/200/300 mm
- Available in aluminium, steel (T), or steel and slanted (VT)
- Shafts are easy to cut to the correct length



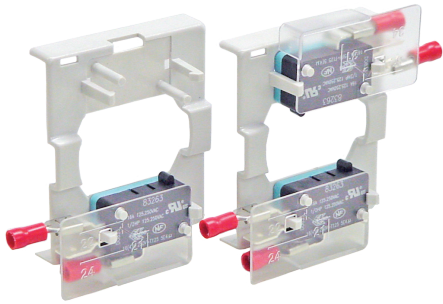
Type	For	Description	EAN code 6419410...
Shafts			
L=100 AD11	KU/VKA, LK10 & LK11	Length 100 mm, aluminium	...253106
L=200 AD11	KU/VKA, LK10 & LK11	Length 200 mm, aluminium	...253113
L=300 AD11	KU/VKA, LK10 & LK11	Length 300 mm, aluminium	...253120
L=100 AD11/T	VKE 3125-3160, LK10 & LK11	Length 100 mm, steel	...253137
L=200 AD11/T	VKE 3125-3160, LK10 & LK11	Length 200 mm, steel	...253144
L=300 AD11/T	VKE 3125-3160, LK10 & LK11	Length 300 mm, steel	...253151
L=100 AD11/VT	KU/VKA, LK10 & LK 11	Length 100 mm, steel, slanted	...253168
L=200 AD11/VT	KU/VKA, LK10 & LK 11	Length 200 mm, steel, slanted	...253175
L=300 AD11/VT	KU/VKA, LK10 & LK 11	Length 300 mm, steel, slanted	...253182
L=100 AD12/T	VKE 125-160 A, KVKE 63-160 A, LK12	Length 100 mm, steel	...253045
L=200 AD12/T	VKE 125-160 A, KVKE 63-160 A, LK12	Length 200 mm, steel	...253052
L=300 AD12/T	VKE 125-160 A, KVKE 63-160 A, LK12	Length 300 mm, steel	...253069
LVK=228	KVKE/VKE 200-630 A, LK13 & LK14	Length 228 mm, steel	...221440
LVK=320	KVKE/VKE 200-630 A, LK13 & LK14	Length 320 mm, steel	...221426

TERMINAL & FUSE COVERS & PHASE BARRIERS

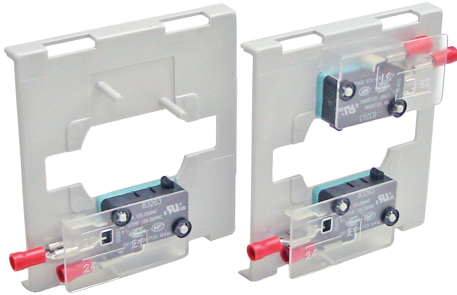


Type	For	EAN code 6419410...
Fuse covers		
SS 32	KVKE 20-32 A	...285015
SS 125 DIN	KVKE 63-160 A	...286944
SS 250	KVKE 250 A	...287736
SS 400	KVKE 400 A	...287873
SS 630	KVKE 630 A	...284964
Terminal covers		
LS 125	KVKE 63-160 A / VKE 125-160 A	...286937
LS 250	KVKE & VKE 200-250 A	...287729
LS 400	KVKE & VKE 400 A	...287866
LS 630	KVKE & VKE 630A	...284957
LS/VKAC	VKA 200-250 A	...218099
LS 160 3P	3P KU160	...203699
LS N160	4th pole, KU160	...203705
Phase barriers		
VS/VKAC	VKA 200-250 A	...218082
VS 800	KU 630-800 A, PV 4400	...483756
VS 160	KU 100-160A (1 pc)	...203835

ACCESSORIES AUXILIARY CONTACTS



KU 1.V & KU 2.V



VKA 1.V & VKA 2.V



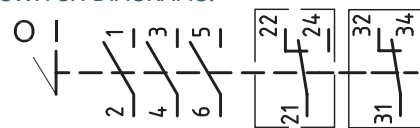
KVKE 1.V



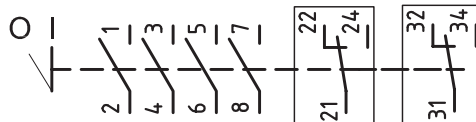
1.V160KU

- 1NO+1NC
- 2NO+2NC
- For KU, VKA and VKE switches
- For KVKE switch fuses
- Available with door mounting kit (OKA) with black or yellow/red handle (Y/R)
- Early break, late make
- 16 (4) A 250 VAC (EN 61058-1)

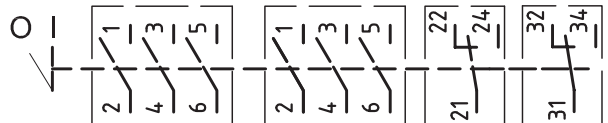
SWITCH DIAGRAMS:



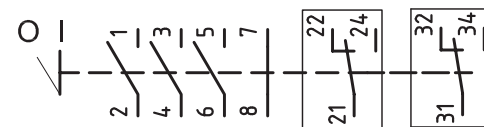
3 pole + 2NC/NO



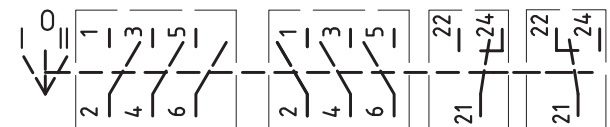
4 pole + 2NC/NO



6 pole + 2NC/NO



3 pole + NT + 2NC/NO



Change-over 3 pole + 2NC/NO

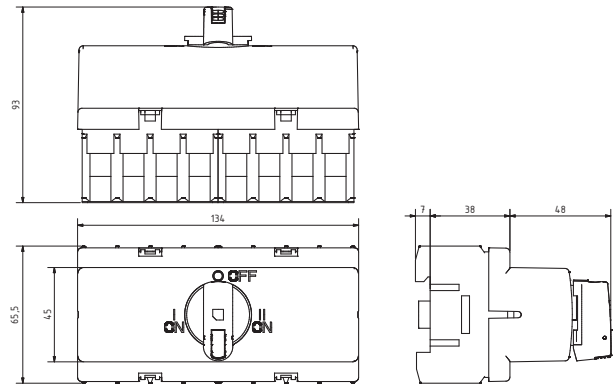
Type	For	Description	EAN code 6419410...
Auxiliary contacts			
KU1.V	KU 16 - 80A	1NO+1NC	...300008
KU2.V	KU 16 - 80A	2NO+2NC	...300107
OKA 1.V	KU 16 - 80A	1NO+1NC W/ door mounting, black	...224106
OKA 1.V Y/R	KU 16 - 80A	1NO+1NC W/ door mounting, Y/R	...224403
OKA 2.V	KU 16 - 80A	2NO+2NC W/ door mounting, black	...224205
OKA 2.V Y/R	KU 16 - 80A	2NO+2NC W/ door mounting, Y/R	...224502
1.V160KU	KU 100-160A	Auxiliary contact, side mounted	...300022
2.V160KU	KU 100-160A	2 x Auxiliary contact, side mounted	...300114
VKA 1.V	VKA 125-160 A	1NO+1NC	...300206
VKA 2.V	VKA 125-160 A	2NO+2NC	...300305
VKAC 1.V	VKA 200-250 A	1NO+1NC	...300800
VKAC 2.V	VKA 200-250 A	2NO+2NC	...300909
OKA/VKA1.V	VKA 125-160 A	1NO+1NC W/ door mounting, black	...224632
OKA/VKA1.V Y/R	VKA 125-160 A	1NO+1NC W/ door mounting, Y/R	...224649
OKA/VKA2.V	VKA 125-160 A	2NO+2NC W/ door mounting, black	...224625
OKA/VKA2.V Y/R	VKA 125-160 A	2NO+2NC W/ door mounting, Y/R	...224694
KVKEC 1.V	20-32 A	1NO+1NC	...285039
KVKEC 2.V	20-32 A	2NO+2NC	...285046
KVKE 1.V	VKE/KVKE 63-630 A	1NO+1NC	...286982
KVKE 2.V	VKE/KVKE 63-630 A	2NO+2NC	...287781

ACCESSORIES

CHANGE-OVER KIT KU3/4P VV

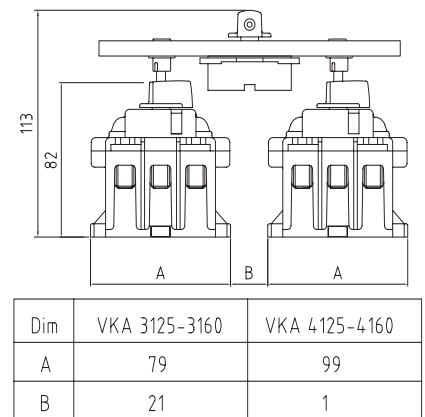
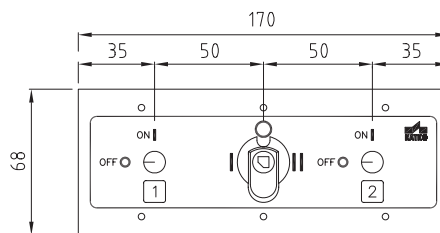
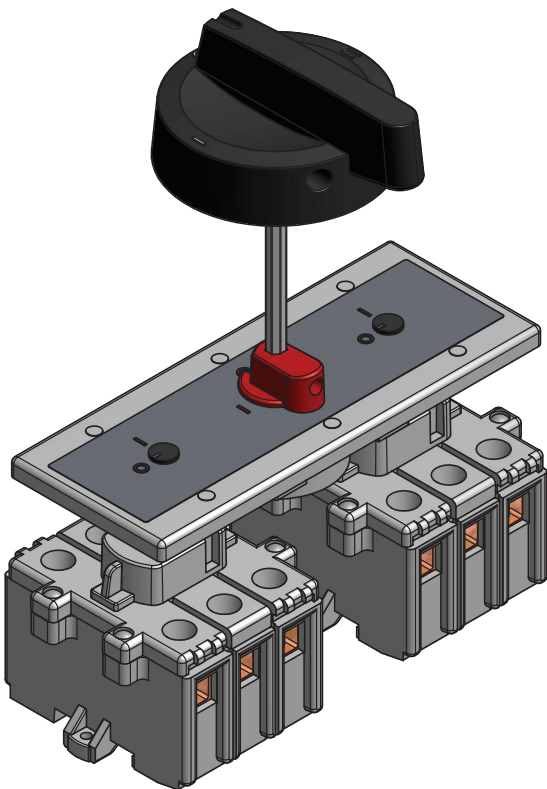


- Compact design for 2 KU-switches (16-125 A, 3-4 poles)
- Fast and easy to install
- Available with black or red direct handle (Y/R)
- Compatible with LK12 1-0-2 handle and L=100/200/300 AD12/VT shaft
- Compatible with auxiliary contact VV 1.V (two can be mounted)



CHANGE-OVER KIT VV 1-0-2

- For two VKA switches (125-160 A)
- Available with black or yellow/red handle (Y/R)
- Includes handle and shaft
- Compatible with auxiliary contact VKA 1.V & VKA 2.V



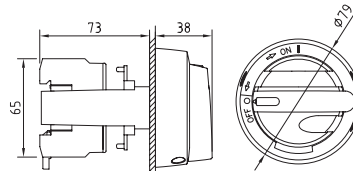
Type	For	Description	EAN code 6419410...
Change over kits			
KU3/4P VV	KU	Positions 1, 0, 2, black handle	...221624
KU3/4P VV Y/R	KU	Positions 1, 0, 2, red handle	...221631
VV 1-2	KU / VKA	No 0-position	...226506
VV 1-0-2	KU / VKA	Positions 1, 0, 2	...226407
VV.1-0-2/K	KU / VKA	Positions 1, 0, 2 with supporting steel	...226421
VV.1-0-2/LK12	KU / VKA	Positions 1, 0, 2 with LK12 handle	...226605
Handles			
LK12 1-0-2	Change-over switches 16-160A	Black	...222737
LK12 1-0-2 Y/R	Change-over switches 16-160A	Yellow/Red	...222744

ACCESSORIES DOOR MOUNTING KITS



OKA/KU/LK10

- For KU switches
- With LK10 handle
- Available as black or yellow/red (Y/R)



OKA/KU/LK10

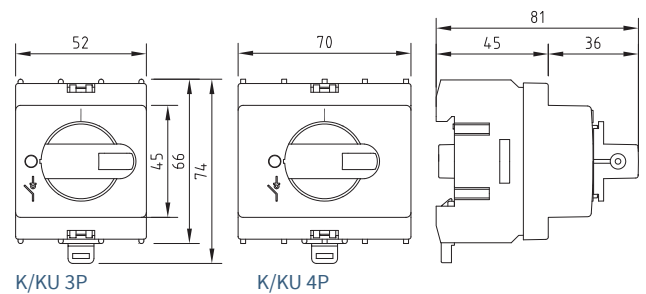
Type	For	Description	EAN code 6419410...
Door mounting kits			
OKA/KU/LK10	KU	Black, for 3P switch, with LK10 handle	...224656
OKA/KU/LK10 Y/R	KU	Yellow/red, for 3P switch, with LK10 handle	...224663
OKA/KU4P/LK10	KU	Black, for 4P switch, with LK10 handle	...224700
OKA/KU4P/LK10 Y/R	KU	Yellow/red, for 4P switch, with LK10 handle	...224717



K/KU 3P

LOAD BREAK SWITCHES 16 - 80 A FRONT PLATES FOR KU

- Front plates for KU switches with direct handle
- Available in grey-black, and in yellow-red (Y/R)



K/KU 3P

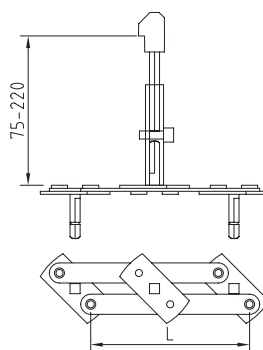
K/KU 4P

Type	For	Description	EAN code 6419410...
Front plates			
K/KU 3P	KU 3P	Grey plate, black direct handle	...221600
K/KU 4P	KU 4P	Grey plate, black direct handle	...222805
K/KU 3P Y/R	KU 3P	Yellow plate, red direct handle	...221617
K/KU 4P Y/R	KU 4P	Yellow plate, red direct handle	...222812

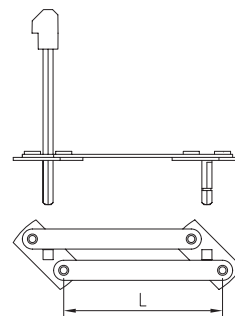
PARALLEL KITS



- For KU and VKA-switches
- Assembly depth for KU 155-300 mm
- Assembly depth for VKA 164-310 mm
- Length shown in the product code, for example: RV 66, L=66 mm
- Shaft L=200 AD11/VT
- Handle not included



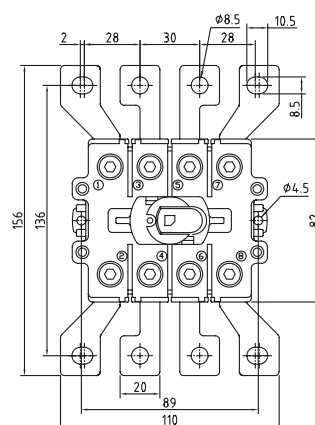
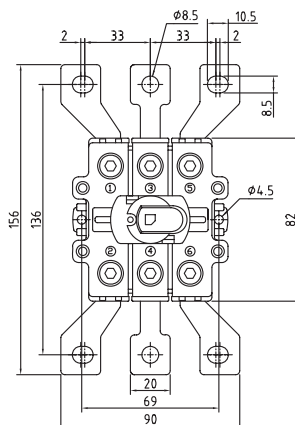
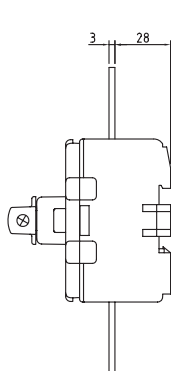
RV xx



RV xx S

Type	For	Description	EAN code 6419410...
Parallel kits			
RV 52S	KU	For 2 x KU 3P	...226223
RV 66	KU	For 2 x KU 3P	...226285
RV 66S	KU	For 2 x KU 3P	...226261
RV 80	KU, VKA	For 2 x KU 4P / 2 x VKA 3P	...226308
RV 80S	KU, VKA	For 2 x KU 4P / 2 x VKA 3P	...226292
RV 143S/6	200-250 A	For 2 x VKA 3P	...226353

SPREADERS

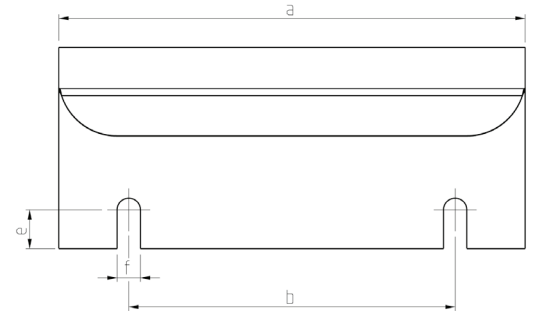
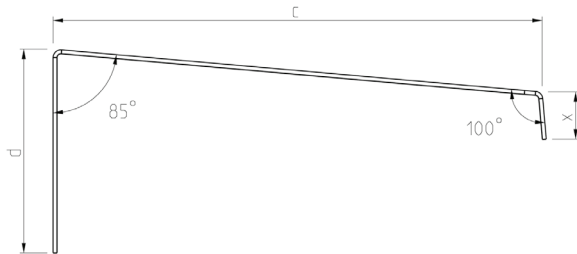


Type	For	Description	EAN code 6419410...
Spreaders			
ALK 3160	VKA, EVA	3P switch	...225301
ALK 4160	125-160 A	4P switch	...225400

ACCESSORIES PROTECTIVE ROOFS

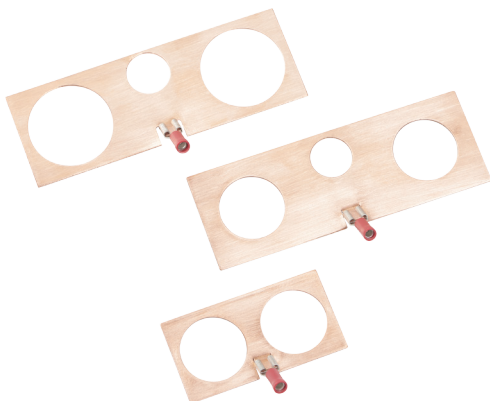


- Additional protection for enclosed switches
- KSL: AlZn
- KSLR: AISI 316



Type	Enclosure	Dimensions mm							EAN code 6419410...
		a	b	c	d	e	f	x	
Protective vizor									
AlZn									
KSL 10	U2	120	84	125	52	10	6	12	...353257
KSL 12	H23	135	99	135	52	10	6	12	...483800
KSL 15	TR007 & TR01	180	110	180	80	20	9	13	...483817
KSL 20	U3	156	131	140	62	10	6	13	...353264
KSL 22	H32	164	139	140	62	10	6	13	...483824
KSL 25	U4	200	164	150	62	20	9	13	...483831
KSL 30	TR02	350	260	200	83	40	9	25	...353271
KSL 32	H02	370	279	200	83	40	9	25	...483848
KSL 50	TR03	410	340	300	83	26	9	25	...353288
KSL 55	MF03	400	354	250	62	20	9	25	...483855
KSL 65	MF04	580	534	320	80	20	9	25	...483862
KSL 70	TR04	630	542	340	80	30	9	25	...353295
KSL 100	TR07	830	742	390	80	30	9	25	...353301
Stainless steel (AISI 316)									
KSLR 10	U2	120	84	125	52	10	6	12	...483879
KSLR 12	H23	135	99	135	52	10	6	12	...483886
KSLR 15	TR007 & TR01	180	110	180	80	20	9	13	...483893
KSLR 20	U3	156	131	140	62	10	6	13	...483909
KSLR 22	H32	164	139	140	62	10	6	13	...483916
KSLR 25	U4	200	164	150	62	20	9	13	...483923
KSLR 30	TR02	350	260	200	83	40	9	25	...483930
KSLR 32	H02	370	279	200	83	40	9	25	...483947
KSLR 50	H03	410	340	300	83	26	9	25	...483954
KSLR 55	MF03	400	354	250	62	20	9	25	...483961
KSLR 65	MF04	580	534	320	80	20	9	25	...483978
KSLR 70	H04	630	542	340	80	30	9	25	...483985

ACCESSORIES EARTHING PLATES



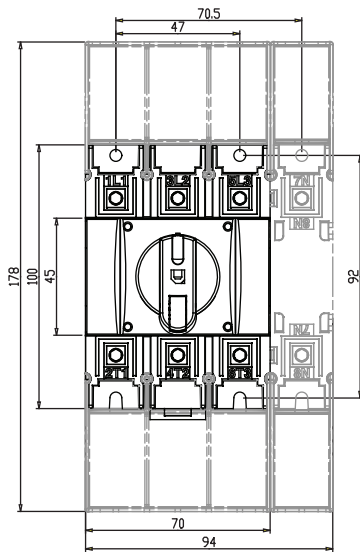
- Provides earthing for shielded cables in KATKO's U2 & U3 polycarbonate enclosures.
- Material: Copper

UL98 LISTED DISCONNECT SWITCHES 60-100 A

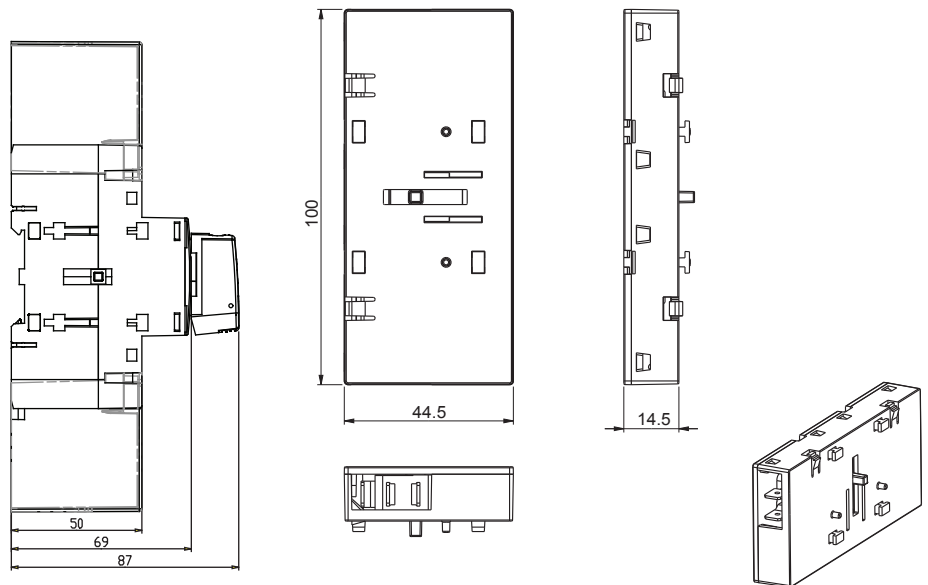


- General use rating 60 - 100 A / 600VAC
- Lockable to off-position
- Modular design
- Switching speed is independent of the operator
- Silver contacts ensure safe and durable operation
- Suitable for use on a circuit capable of delivering 50kA rms symmetrical, 600 Vac when protected by Class J, 60A/100A fuse.

3/4 pole switch with covers



Auxiliary contact



Type	General purpose (A) (600V)	HP 120 V	HP 240 V	HP 480 V	HP 600 V	Wire size	EAN code	Weight
						Cu only (75°C)	6419410...	kg
3 poles								
KU 360UL98	60 A	1.5 HP	20 HP	40 HP	60 HP	8-1/0 AWG	...203712	0.45
KU 3100UL98	100 A	2 HP	25 HP	50 HP	75 HP	8-1/0 AWG	...203729	0.45
4 poles								
KU 460UL98	60 A	1.5 HP	20 HP	40 HP	60 HP	8-1/0 AWG	...203736	0.59
KU 4100UL98	100 A	2 HP	25 HP	50 HP	75 HP	8-1/0 AWG	...203743	0.59

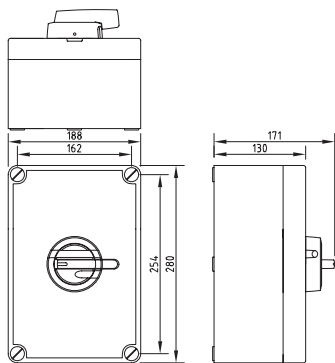
Type	Description	EAN code
		6419410...
LS/VS 160 3P	Terminal cover for 3P	...203699
LS/VS N160	Terminal cover for 4th pole	...203705
1.V160KU	Auxiliary contact, side mounted	...300022
2.V160KU	2x Auxiliary contact, side mounted	...300114

UL98 LISTED ENCLOSED SWITCHES POLYCARBONATE, STAINLESS STEEL, SHEET STEEL 60-100 A

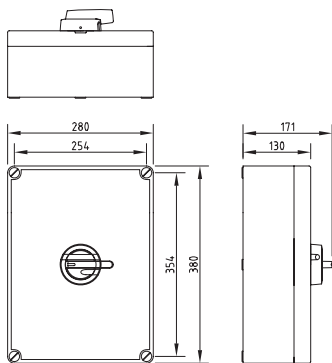


- Type 4X enclosure: polycarbonate and stainless steel
- Type 4 enclosure: sheet steel
- Padlockable
- General use rating 60 A to 100 A /600VAC

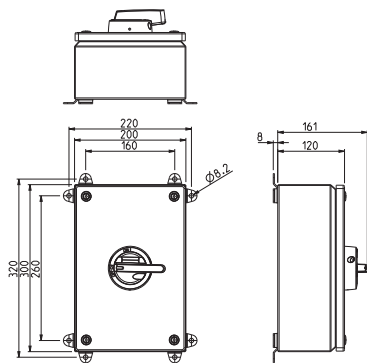
MF10



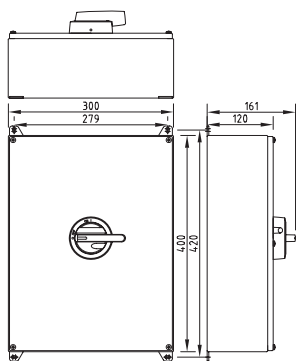
MF11UL



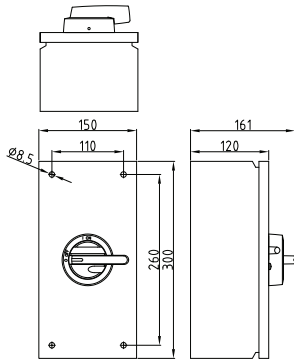
HR01



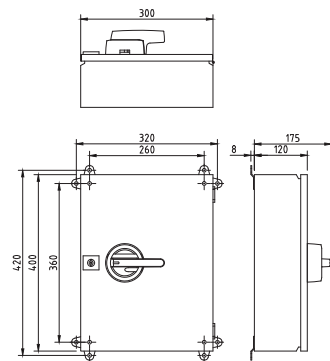
HR02



TR01



TR02

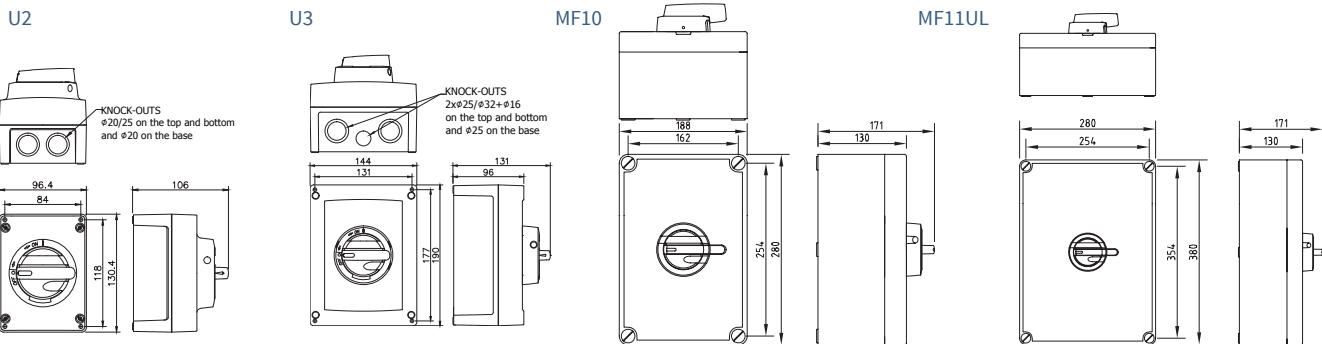


Type		Ampere rating (600 V)	120V	240V	480V	600V	EAN-Code		Wire size Cu only	Enclosure	No of poles	Weight kg
							6419410...					
Grey/black	Yellow/red						Grey/black	Yellow/red				
Polycarbonate												
KEM 360 UL98	KEM 360 UL98 Y/R	60 A	1.5 HP	20 HP	40 HP	60 HP	...315606	...315729	8-1/0 AWG	MF10	3	2.4
KEM 460 UL98	KEM 460 UL98 Y/R	100 A	2 HP	25 HP	50 HP	75 HP	...315613	...315736	8-1/0 AWG	MF10	4	2.5
KEM 3100 UL98	KEM 3100 UL98 Y/R	60 A	1.5 HP	20 HP	40 HP	60 HP	...315620	...315743	8-1/0 AWG	MF11UL	3	3.3
KEM 4100 UL98	KEM 4100 UL98 Y/R	100 A	2 HP	25 HP	50 HP	75 HP	...315637	...315750	8-1/0 AWG	MF11UL	4	3.4
Stainless Steel												
KER 360 UL98	KER 360 UL98 Y/R	60 A	1.5 HP	20 HP	40 HP	60 HP	...315682	...315804	8-1/0 AWG	HR01	3	3.3
KER 460 UL98	KER 460 UL98 Y/R	100 A	2 HP	25 HP	50 HP	75 HP	...315699	...315811	8-1/0 AWG	HR01	4	3.3
KER 3100 UL98	KER 3100 UL98 Y/R	60 A	1.5 HP	20 HP	40 HP	60 HP	...315705	...315828	8-1/0 AWG	HR02	3	6.9
KER 4100 UL98	KER 4100 UL98 Y/R	100 A	2 HP	25 HP	50 HP	75 HP	...315712	...315835	8-1/0 AWG	HR02	4	7
Sheet Steel												
KET 360 UL98	KET 360 UL98 Y/R	60 A	1.5 HP	20 HP	40 HP	60 HP	...315644	...315767	8-1/0 AWG	TR01	3	4.3
KET 460 UL98	KET 460 UL98 Y/R	100 A	2 HP	25 HP	50 HP	75 HP	...315651	...315774	8-1/0 AWG	TR01	4	4.4
KET 3100 UL98	KET 3100 UL98 Y/R	60 A	1.5 HP	20 HP	40 HP	60 HP	...315668	...315781	8-1/0 AWG	TR02	3	9.7
KET 4100 UL98	KET 4100 UL98 Y/R	100 A	2 HP	25 HP	50 HP	75 HP	...315675	...315798	8-1/0 AWG	TR02	4	9.8



UL 60947-4-1A LISTED POLYCARBONATE ENCLOSED MANUAL MOTOR CONTROLLERS WITH DISCONNECTOR MEANS 16-150 A

- Type 4X enclosure
- Across the line, motor starting up to 75HP/600V
- General use rating 25A to 150A/600V
- Retrofit snap on auxiliary contacts
- Padlockable



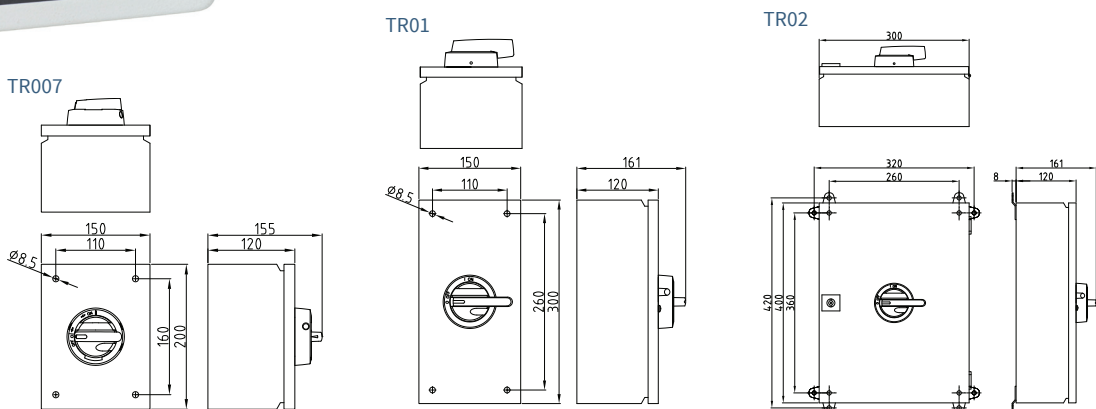
Type		Ampere rating (600 V)	208V	415V	480V	600V	EAN-Code		Wire size Cu only	Enclosure	Weight kg
							6419410...				
Grey/black	Yellow/red						Grey/black	Yellow/red			
3-poles											
KEM 316UL	KEM 316UL Y/R	16 A	3HP	7.5HP	10HP	7.5HP	...351703	...351772	14-8AWG	U2	0.5
KEM 325UL	KEM 325UL Y/R	25 A	5HP	10HP	15HP	10HP	...351246	...351352	14-8AWG	U2	0.5
KEM 340UL	KEM 340UL Y/R	40 A	7.5HP	15HP	20HP	15HP	...351277	...351383	14-8AWG	U3	0.7
KEM 360UL	KEM 360UL Y/R	60 A	10HP	20HP	25HP	25HP	...351307	...351413	12-4AWG	U3	0.7
KEM 380CUL	KEM 380CUL Y/R	80 A	10HP	25HP	30HP	30HP	...351840	...351925	12-4AWG	U3	0.7
KEM 380UL	KEM 380UL Y/R	80 A	15HP	25HP	30HP	40HP	...351338	...351444	8-1/0AWG	U3	2.2
KEM 3100L	KEM 3100L Y/R	100 A	15HP	30HP	40HP	50HP	...344163	...351154	8-1/0AWG	MF10	2.4
KEM 3125L	KEM 3125L Y/R	125 A	20HP	40HP	50HP	60HP	...344194	...351185	8-1/0AWG	MF10	2.4
KEM 3150L	KEM 3150L Y/R	150 A	25HP	50HP	60HP	75HP	...344224	...351215	8-1/0AWG	MF11UL	3.3
4-poles											
KEM 416UL	KEM 416UL Y/R	16 A	3HP	7.5HP	10HP	7.5HP	...351710	...351789	14-8AWG	U2	0.5
KEM 425UL	KEM 425UL Y/R	25 A	5HP	10HP	15HP	10HP	...351253	...351369	14-8AWG	U2	0.5
KEM 440UL	KEM 440UL Y/R	40 A	7.5HP	15HP	20HP	15HP	...351284	...351390	14-8AWG	U3	0.7
KEM 460UL	KEM 460UL Y/R	60 A	10HP	20HP	25HP	25HP	...351314	...351420	12-4AWG	U3	0.7
KEM 480CUL	KEM 480CUL Y/R	80 A	10HP	25HP	30HP	30HP	...351857	...351932	12-4AWG	U3	0.7
KEM 480UL	KEM 480UL Y/R	80 A	15HP	25HP	30HP	40HP	...351345	...351451	8-1/0AWG	U3	2.3
KEM 4100L	KEM 4100L Y/R	100 A	15HP	30HP	40HP	50HP	...344170	...351161	8-1/0AWG	MF10	2.6
KEM 4125L	KEM 4125L Y/R	125 A	20HP	40HP	50HP	60HP	...344200	...351192	8-1/0AWG	MF10	2.6
KEM 4150L	KEM 4150L Y/R	150 A	25HP	50HP	60HP	75HP	...344231	...351222	8-1/0AWG	MF11UL	3.4
6-poles											
KEM 616UL	KEM 616UL Y/R	16 A	3HP	7.5HP	10HP	7.5HP	...351727	...351796	14-8AWG	U3	0.9
KEM 625UL	KEM 625UL Y/R	25 A	5HP	10HP	15HP	10HP	...351260	...351376	14-8AWG	U3	0.9
KEM 640UL	KEM 640UL Y/R	40 A	7.5HP	15HP	20HP	15HP	...351291	...351406	14-8AWG	U3	0.9
KEM 660UL	KEM 660UL Y/R	60 A	10HP	20HP	25HP	25HP	...351321	...351437	12-4AWG	U3	0.9
KEM 680CUL	KEM 680CUL Y/R	80 A	10HP	25HP	30HP	30HP	...351666	...351673	12-4AWG	U3	0.9
KEM 680L	KEM 680L Y/R	80 A	15HP	25HP	30HP	40HP	...344156	...351147	8-1/0AWG	MF11UL	3.8
KEM 6100L	KEM 6100L Y/R	100 A	15HP	30HP	40HP	50HP	...344187	...351178	8-1/0AWG	MF11UL	3.8
KEM 6125L	KEM 6125L Y/R	125 A	20HP	40HP	50HP	60HP	...344217	...351208	8-1/0AWG	MF11UL	3.8
KEM 6150L	KEM 6150L Y/R	150 A	25HP	50HP	60HP	75HP	...344248	...351239	8-1/0AWG	MF11UL	3.8



UL 60947-4-1A LISTED MANUAL MOTOR CONTROLLERS SHEET STEEL ENCLOSED 16-150 A



- Type 4 enclosure
- Across the line, motor starting- up to 75HP/600V
- General use rating from 16A to 150A/600V
- Retrofit snap on auxiliary contacts
- Padlockable



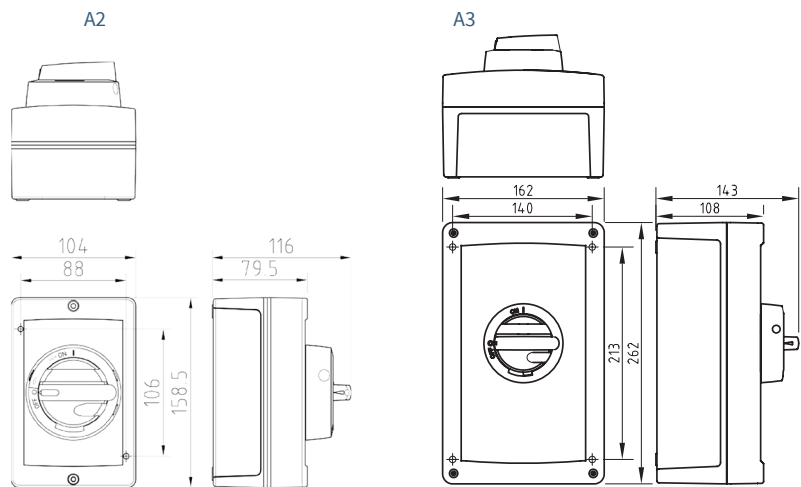
Type		Ampere rating (600 V)	Voltage				EAN-Code		Wire size Cu only	Enclosure	Weight kg
			208 V	415 V	480 V	600 V	6419410...				
Grey/Black	Yellow/Red					Grey/Black	Yellow/Red				
3-poles											
KET 316UL	KET 316UL Y/R	16 A	3HP	7.5HP	10HP	7.5HP	...348765	...349007	14-8AWG	TR007	2.1
KET 325UL	KET 325UL Y/R	25 A	5HP	10HP	15HP	10HP	...348796	...349038	14-8AWG	TR007	2.1
KET 340UL	KET 340UL Y/R	40 A	7.5HP	15HP	20HP	15HP	...348826	...349069	14-8AWG	TR007	2.1
KET 360UL	KET 360UL Y/R	60 A	10HP	20HP	25HP	25HP	...348857	...349090	12-4AWG	TR01	4.0
KET 380CUL	KET 380CUL Y/R	80 A	10HP	25HP	30HP	30HP	...351888	...351963	12-4AWG	TR01	4.0
KET 380UL	KET 380UL Y/R	80 A	15HP	25HP	30HP	40HP	...348888	...349120	8-1/0AWG	TR01	4.3
KET 3100UL	KET 3100UL Y/R	100 A	15HP	30HP	40HP	50HP	...348918	...349151	8-1/0AWG	TR01	4.3
KET 3125UL	KET 3125UL Y/R	125 A	20HP	40HP	50HP	60HP	...348949	...349182	8-1/0AWG	TR01	4.3
KET 3150UL	KET 3150UL Y/R	150 A	25HP	50HP	60HP	75HP	...348970	...349212	8-1/0AWG	TR02	9.7
4-poles											
KET 416UL	KET 416UL Y/R	16 A	3HP	7.5HP	10HP	7.5HP	...348772	...349014	14-8AWG	TR007	2.2
KET 425UL	KET 425UL Y/R	25 A	5HP	10HP	15HP	10HP	...348802	...349045	14-8AWG	TR007	2.2
KET 440UL	KET 440UL Y/R	40 A	7.5HP	15HP	20HP	15HP	...348833	...349076	14-8AWG	TR007	2.2
KET 460UL	KET 460UL Y/R	60 A	10HP	20HP	25HP	25HP	...348864	...349106	12-4AWG	TR01	4.1
KET 480CUL	KET 480CUL Y/R	80 A	10HP	25HP	30HP	30HP	...351895	...351970	12-4AWG	TR01	4.1
KET 480UL	KET 480UL Y/R	80 A	15HP	25HP	30HP	40HP	...348895	...349137	8-1/0AWG	TR01	4.3
KET 4100UL	KET 4100UL Y/R	100 A	15HP	30HP	40HP	50HP	...348925	...349168	8-1/0AWG	TR01	4.3
KET 4125UL	KET 4125UL Y/R	125 A	20HP	40HP	50HP	60HP	...348956	...349199	8-1/0AWG	TR01	4.3
KET 4150UL	KET 4150UL Y/R	150 A	25HP	50HP	60HP	75HP	...348987	...349229	8-1/0AWG	TR02	9.9
6-poles											
KET 616UL	KET 616UL Y/R	16 A	3HP	7.5HP	10HP	7.5HP	...348789	...349021	14-8AWG	TR007	2.4
KET 625UL	KET 625UL Y/R	25 A	5HP	10HP	15HP	10HP	...348819	...349052	14-8AWG	TR007	2.4
KET 640UL	KET 640UL Y/R	40 A	7.5HP	15HP	20HP	15HP	...348840	...349083	14-8AWG	TR007	2.4
KET 660UL	KET 660UL Y/R	60 A	10HP	20HP	25HP	25HP	...348871	...349113	12-4AWG	TR01	4.3
KET 680CUL	KET 680CUL Y/R	80 A	10HP	25HP	30HP	30HP	...349243	...349250	12-4AWG	TR01	4.1
KET 680UL	KET 680UL Y/R	80 A	15HP	25HP	30HP	40HP	...348901	...349144	8-1/0AWG	TR02	8.6
KET 6100UL	KET 6100UL Y/R	100 A	15HP	30HP	40HP	50HP	...348932	...349175	8-1/0AWG	TR02	8.6
KET 6125UL	KET 6125UL Y/R	125 A	20HP	40HP	50HP	60HP	...348963	...349205	8-1/0AWG	TR02	8.6
KET 6150UL	KET 6150UL Y/R	150 A	25HP	50HP	60HP	75HP	...348994	...349236	8-1/0AWG	TR02	8.6



UL 60947-4-1A LISTED MANUAL MOTOR CONTROLLERS ALUMINIUM ENCLOSED 16-125 A



- Type 4 enclosure
- Across the line, motor starting- up to 75HP/600V
- General use rating from 16A to 125A/600V
- Retrofit snap on auxiliary contacts
- Padlockable



Type		Ampere rating (600 V)	208 V	415 V	480 V	600 V	EAN-Code		Wire size Cu only	Enclosure	Weight kg
							6419410...				
Grey/Black	Yellow/Red						Grey/Black	Yellow/Red			
3-poles											
KEA 316UL	KEA 316UL Y/R	16 A	3HP	7.5HP	10HP	7.5HP	...348406	...348581	14-8AWG	A2	0.8
KEA 325UL	KEA 325UL Y/R	25 A	5HP	10HP	15HP	10HP	...348437	...348611	14-8AWG	A2	0.8
KEA 340UL	KEA 340UL Y/R	40 A	7.5HP	15HP	20HP	15HP	...348468	...348642	14-8AWG	A2	0.8
KEA 360UL	KEA 360UL Y/R	60 A	10HP	20HP	25HP	25HP	...348499	...348673	12-4AWG	A3	2
KEA 380CUL	KEA 380CUL Y/R	80 A	10HP	25HP	30HP	30HP	...351864	...351949	12-4AWG	A3	2
KEA 380UL	KEA 380UL Y/R	80 A	15HP	25HP	30HP	40HP	...348529	...348703	8-1/0AWG	A3	2.3
KEA 3100UL	KEA 3100UL Y/R	100 A	15HP	30HP	40HP	50HP	...348543	...348727	8-1/0AWG	A3	2.3
KEA 3125UL	KEA 3125UL Y/R	125 A	20HP	40HP	50HP	60HP	...348567	...348741	8-1/0AWG	A3	2.3
4-poles											
KEA 416UL	KEA 416UL Y/R	16 A	3HP	7.5HP	10HP	7.5HP	...348413	...348598	14-8AWG	A2	0.9
KEA 425UL	KEA 425UL Y/R	25 A	5HP	10HP	15HP	10HP	...348444	...348628	14-8AWG	A2	0.9
KEA 440UL	KEA 440UL Y/R	40 A	7.5HP	15HP	20HP	15HP	...348475	...348659	14-8AWG	A2	0.9
KEA 460UL	KEA 460UL Y/R	60 A	10HP	20HP	25HP	25HP	...348505	...348680	12-4AWG	A3	2.1
KEA 480CUL	KEA 480CUL Y/R	80 A	10HP	25HP	30HP	30HP	...351871	...351956	12-4AWG	A3	2
KEA 480UL	KEA 480UL Y/R	80 A	15HP	25HP	30HP	40HP	...348536	...348710	8-1/0AWG	A3	2.4
KEA 4100UL	KEA 4100UL Y/R	100 A	15HP	30HP	40HP	50HP	...348550	...348734	8-1/0AWG	A3	2.4
KEA 4125UL	KEA 4125UL Y/R	125 A	20HP	40HP	50HP	60HP	...348574	...348758	8-1/0AWG	A3	2.4
6-poles											
KEA 616UL	KEA 616UL Y/R	16 A	3HP	7.5HP	10HP	7.5HP	...348420	...348604	14-8AWG	A3	2.3
KEA 625UL	KEA 625UL Y/R	25 A	5HP	10HP	15HP	10HP	...348451	...348635	14-8AWG	A3	2.3
KEA 640UL	KEA 640UL Y/R	40 A	7.5HP	15HP	20HP	15HP	...348482	...348666	14-8AWG	A3	2.3
KEA 660UL	KEA 660UL Y/R	60 A	10HP	20HP	25HP	25HP	...348512	...348697	12-4AWG	A3	2.3
KEA 680CUL	KEA 680CUL Y/R	80 A	10HP	25HP	30HP	30HP	...331811	...349250	12-4AWG	A3	2.3

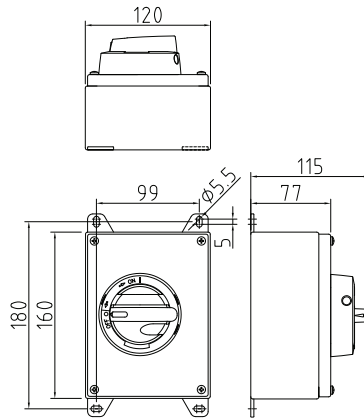


UL 60947-4-1A LISTED STAINLESS STEEL ENCLOSED MANUAL MOTOR CONTROLLERS WITH DISCONNECTOR MEANS 16-125 A

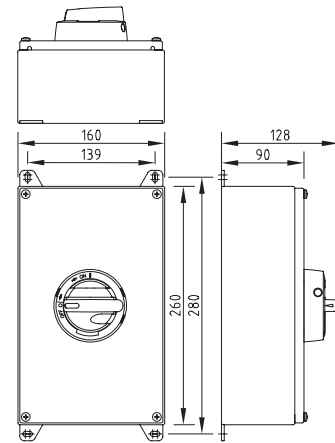
- Type 4X enclosure
- Across the line, motor starting- up to 75HP/600V
- General use rating from 25A to 125A/600V
- Retrofit snap on auxiliary contacts
- Padlockable



H23



H32



Type		Ampere rating (600 V)	208V	415V	480V	600V	EAN-Code		Wire size Cu only	Enclosure	Weight kg
							6419410...				
Grey/black	Yellow/red						Grey/black	Yellow/red			
3-poles											
KER 316UL	KER 316UL Y/R	16 A	3HP	7.5HP	10HP	7.5HP	...347300	...347546	14-8AWG	H23	1.2
KER 325UL	KER 325UL Y/R	25 A	5HP	10HP	15HP	10HP	...347317	...347553	14-8AWG	H23	1.2
KER 340UL	KER 340UL Y/R	40 A	7.5HP	15HP	20HP	15HP	...347362	...347607	14-8AWG	H23	1.2
KER 360UL	KER 360UL Y/R	60 A	10HP	20HP	25HP	25HP	...347393	...347638	12-4AWG	H32	2.2
KER 380CUL	KER 380CUL Y/R	80 A	10HP	25HP	30HP	30HP	...351901	...351987	12-4AWG	H32	2.2
KER 380UL	KER 380UL Y/R	80 A	15HP	25HP	30HP	40HP	...347423	...347669	8-1/0AWG	H32	2.2
KER 3100UL	KER 3100UL Y/R	100 A	15HP	30HP	40HP	50HP	...347454	...347690	8-1/0AWG	H32	2.5
KER 3125UL	KER 3125UL Y/R	125 A	20HP	40HP	50HP	60HP	...347485	...347720	8-1/0AWG	H32	2.5
4-poles											
KER 416UL	KER 416UL Y/R	16 A	3HP	7.5HP	10HP	7.5HP	...347324	...347560	14-8AWG	H23	1.2
KER 425UL	KER 425UL Y/R	25 A	5HP	10HP	15HP	10HP	...347331	...347577	14-8AWG	H23	1.2
KER 440UL	KER 440UL Y/R	40 A	7.5HP	15HP	20HP	15HP	...347379	...347614	14-8AWG	H23	1.2
KER 460UL	KER 460UL Y/R	60 A	10HP	20HP	25HP	25HP	...347409	...347645	12-4AWG	H32	2.2
KER 480CUL	KER 480CUL Y/R	80 A	10HP	25HP	30HP	30HP	...351918	...351994	12-4AWG	H32	2.2
KER 480UL	KER 480UL Y/R	80 A	15HP	25HP	30HP	40HP	...347430	...347676	8-1/0AWG	H32	2.2
KER 4100UL	KER 4100UL Y/R	100 A	15HP	30HP	40HP	50HP	...347461	...347706	8-1/0AWG	H32	2.5
KER 4125UL	KER 4125UL Y/R	125 A	20HP	40HP	50HP	60HP	...347492	...347737	8-1/0AWG	H32	2.5
6-poles											
KER 616UL	KER 616UL Y/R	16 A	3HP	7.5HP	10HP	7.5HP	...347348	...347584	14-8AWG	H32	2.5
KER 625UL	KER 625UL Y/R	25 A	5HP	10HP	15HP	10HP	...347355	...347591	14-8AWG	H32	2.5
KER 640UL	KER 640UL Y/R	40 A	7.5HP	15HP	20HP	15HP	...347386	...347621	14-8AWG	H32	2.5
KER 660UL	KER 660UL Y/R	60 A	10HP	20HP	25HP	25HP	...347416	...347652	12-4AWG	H32	2.5
KER 680CUL	KER 680CUL Y/R	80 A	10HP	25HP	30HP	30HP	...347287	...347294	12-4AWG	H32	2.5



UL 60947-4-1A LISTED STAINLESS STEEL ENCLOSED MANUAL MOTOR CONTROLLERS WITH DISCONNECTOR MEANS (KER R/RS) 16-125 A

- Designed for hygienic and heavy environments
- Manual motor controller with disconnecter means
- Type 4X enclosure
- Across the line, motor starting up to 75 HP/600 V
- General use rating from 16A to 125A/600V
- Retrofit snap on auxiliary contacts
- Padlockable with three locks
- UL 60947-4-1A

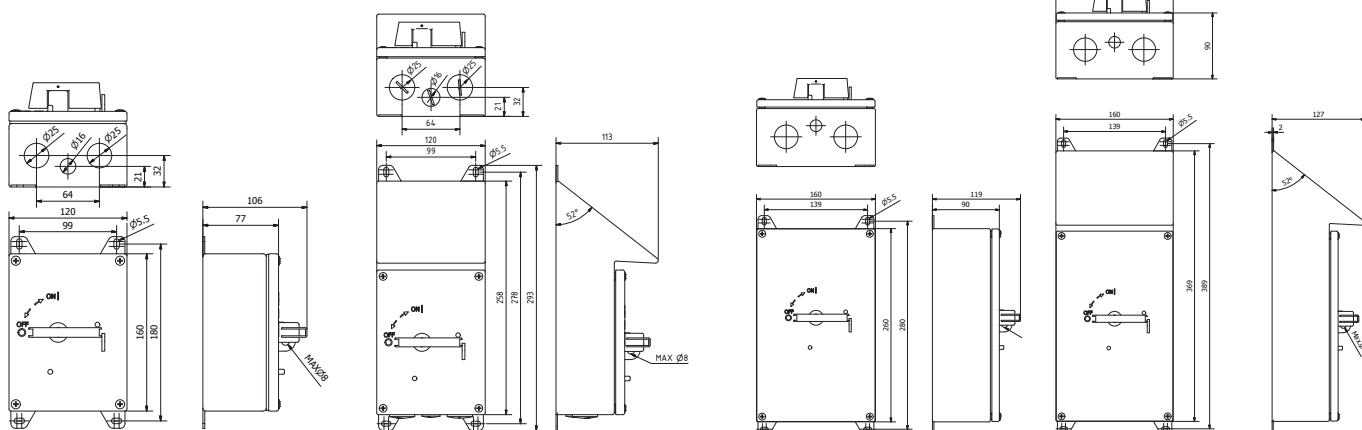


H23T

H24T

H32T

H34T



Type		Ampere rating (600 V)	208V	415V	480V	600V	Wire size Cu only	Enclosure	EAN code		Weight kg
									6419410...		
Without angled top	With angled top								R	RS	
3-pole											
KER 316R UL	KER 316RS UL	16 A	3HP	7.5HP	10HP	7.5HP	14-8AWG	H23T/H24T	...307250	...307267	1,2/1,7
KER 325R UL	KER 325RS UL	25 A	5HP	10HP	15HP	10HP	14-8AWG	H23T/H24T	...307274	...307281	1,2/1,7
KER 340R UL	KER 340RS UL	40 A	7.5HP	15HP	20HP	15HP	14-8AWG	H23T/H24T	...307298	...307304	1,2/1,7
KER 360R UL	KER 360RS UL	60 A	10HP	20HP	25HP	25HP	12-4AWG	H32T/H34T	...307311	...307328	2,3/2,9
KER 380R UL	KER 380RS UL	80 A	10HP	25HP	30HP	30HP	12-4AWG	H32T/H34T	...307335	...307342	2,3/2,9
KER 380R CUL	KER 380RS CUL	80 A	15HP	25HP	30HP	40HP	8-1/0AWG	H32T/H34T	...307359	...307366	2,3/2,9
KER 3100R UL	KER 3100RS UL	100 A	15HP	30HP	40HP	50HP	8-1/0AWG	H32T/H34T	...307373	...307380	2,5/3,1
KER 3125R UL	KER 3125RS UL	125 A	20HP	40HP	50HP	60HP	8-1/0AWG	H32T/H34T	...307397	...307403	2,5/3,1
4-pole											
KER 416R UL	KER 416RS UL	16 A	3HP	7.5HP	10HP	7.5HP	14-8AWG	H23T/H24T	...307410	...307427	1,3/1,8
KER 425R UL	KER 425RS UL	25 A	5HP	10HP	15HP	10HP	14-8AWG	H23T/H24T	...307434	...307441	1,3/1,8
KER 440R UL	KER 440RS UL	40 A	7.5HP	15HP	20HP	15HP	14-8AWG	H23T/H24T	...307458	...307465	1,3/1,8
KER 460R UL	KER 460RS UL	60 A	10HP	20HP	25HP	25HP	12-4AWG	H32T/H34T	...307472	...307489	2,4/3
KER 480R UL	KER 480RS UL	80 A	10HP	25HP	30HP	30HP	12-4AWG	H32T/H34T	...307496	...307502	2,4/3
KER 480R CUL	KER 480RS CUL	80 A	15HP	25HP	30HP	40HP	8-1/0AWG	H32T/H34T	...307519	...307526	2,4/3
KER 4100R UL	KER 4100RS UL	100 A	15HP	30HP	40HP	50HP	8-1/0AWG	H32T/H34T	...307533	...307540	2,5/3,1
KER 4125R UL	KER 4125RS UL	125 A	20HP	40HP	50HP	60HP	8-1/0AWG	H32T/H34T	...307557	...307564	2,5/3,1
6-pole											
KER 616R UL	KER 616RS UL	16 A	3HP	7.5HP	10HP	7.5HP	14-8AWG	H32T/H34T	...307571	...307588	2,5/3,1
KER 625R UL	KER 625RS UL	25 A	5HP	10HP	15HP	10HP	14-8AWG	H32T/H34T	...307595	...307601	2,5/3,1
KER 640R UL	KER 640RS UL	40 A	7.5HP	15HP	20HP	15HP	14-8AWG	H32T/H34T	...307618	...307625	2,5/3,1
KER 660R UL	KER 660RS UL	60 A	10HP	20HP	25HP	25HP	12-4AWG	H32T/H34T	...307632	...307649	2,5/3,1
KER 680R CUL	KER 680RS CUL	80 A	10HP	25HP	30HP	30HP	12-4AWG	H32T/H34T	...307670	...307687	2,5/3,1



UL 60947-4-1A LISTED EMC PROTECTED ENCLOSED MANUAL MOTOR CONTROLLERS WITH DISCONNECTOR MEANS 16-150 A

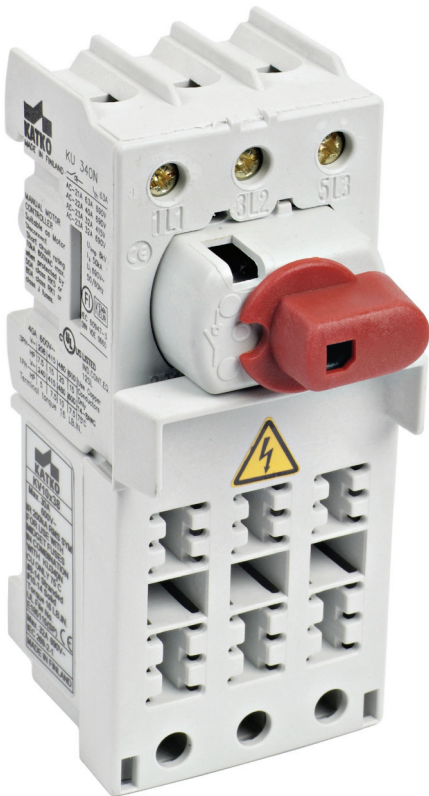


- Electromagnetic compatibility ensures safe operation in environments with electromagnetic disturbance
- Tested according to EN 55011 with EMC glands shielded power cable
- Nema Type 4X: U2, U3, MF10, MF11, H23/T, H32/T enclosures
- Nema Type 4: A2, A3, TR007 enclosures
- Up to 150A/75HP/600V
- Easy to install auxiliary contacts
- Padlockable
- Also available as 4-, 6- and 8-pole versions
- EMC cable glands included



Type		Ampere rating (600 V)	208V	415V	480V	600V	EAN-Code		Wire size Cu only	Enclosure	Cable glands	Weight kg
							6419410...					
Grey/black	Yellow/red						Grey/black	Yellow/red				
Polycarbonate enclosures												
KEM 316UL EMC	KEM 316UL EMC Y/R	16 A	3HP	7.5HP	10HP	7.5HP	...307922	...307984	14-8AWG	U2	2xM25	0.6
KEM 325UL EMC	KEM 325UL EMC Y/R	25 A	5HP	10HP	15HP	10HP	...307939	...307991	14-8AWG	U2	2xM25	0.6
KEM 340UL EMC	KEM 340UL EMC Y/R	40 A	7.5HP	15HP	20HP	15HP	...307946	...308004	14-8AWG	U3	2xM25	0.8
KEM 360UL EMC	KEM 360UL EMC Y/R	60 A	10HP	20HP	25HP	25HP	...307953	...308011	12-4AWG	U3	2xM32	1.0
KEM 380CUL EMC	KEM 380CUL EMC Y/R	80 A	10HP	25HP	30HP	30HP	...307960	...308028	12-4AWG	U3	2xM32	1.0
KEM 380UL EMC	KEM 380UL EMC Y/R	80 A	15HP	25HP	30HP	40HP	...307977	...308035	8-1/0AWG	U3	2xM32	2.5
Aluminium enclosures												
KEA 316UL EMC	KEA 316UL EMC Y/R	16 A	3HP	7.5HP	10HP	7.5HP	...308806	...308882	14-8AWG	A2	2xM25	0.9
KEA 325UL EMC	KEA 325UL EMC Y/R	25 A	5HP	10HP	15HP	10HP	...308813	...308899	14-8AWG	A2	2xM25	0.9
KEA 340UL EMC	KEA 340UL EMC Y/R	40 A	7.5HP	15HP	20HP	15HP	...308820	...308905	14-8AWG	A2	2xM25	0.9
KEA 360UL EMC	KEA 360UL EMC Y/R	60 A	10HP	20HP	25HP	25HP	...308837	...308912	12-4AWG	A3	2xM40	2.4
KEA 380CUL EMC	KEA 380CUL EMC Y/R	80 A	10HP	25HP	30HP	30HP	...308844	...308929	12-4AWG	A3	2xM40	2.4
KEA 380UL EMC	KEA 380UL EMC Y/R	80 A	15HP	25HP	30HP	40HP	...308851	...308936	8-1/0AWG	A3	2xM40	2.7
KEA 3100UL EMC	KEA 3100UL EMC Y/R	100 A	15HP	30HP	40HP	50HP	...308868	...308943	8-1/0AWG	A3	2xM40	2.7
KEA 3125UL EMC	KEA 3125UL EMC Y/R	125 A	20HP	40HP	50HP	60HP	...308875	...308950	8-1/0AWG	A3	2xM40	2.7
Sheet steel enclosures												
KET 316UL EMC	KET 316UL EMC Y/R	16 A	3HP	7.5HP	10HP	7.5HP	...308264	...308356	14-8AWG	TR007	2xM25	2.2
KET 325UL EMC	KET 325UL EMC Y/R	25 A	5HP	10HP	15HP	10HP	...308271	...308363	14-8AWG	TR007	2xM25	2.2
KET 340UL EMC	KET 340UL EMC Y/R	40 A	7.5HP	15HP	20HP	15HP	...308288	...308370	14-8AWG	TR007	2xM25	2.2
KET 360UL EMC	KET 360UL EMC Y/R	60 A	10HP	20HP	25HP	25HP	...308295	...308387	12-4AWG	TR01	2xM32	4.3
KET 380CUL EMC	KET 380CUL EMC Y/R	80 A	10HP	25HP	30HP	30HP	...308301	...308394	12-4AWG	TR01	2xM32	4.3
KET 380UL EMC	KET 380UL EMC Y/R	80 A	15HP	25HP	30HP	40HP	...308318	...308400	8-1/0AWG	TR01	2xM32	4.6
KET 3100UL EMC	KET 3100UL EMC Y/R	100 A	15HP	30HP	40HP	50HP	...308325	...308417	8-1/0AWG	TR01	2xM40	4.7
KET 3125UL EMC	KET 3125UL EMC Y/R	125 A	20HP	40HP	50HP	60HP	...308332	...308424	8-1/0AWG	TR01	2xM40	4.7
KET 3150UL EMC	KET 3150UL EMC Y/R	150 A	25HP	50HP	60HP	75HP	...308349	...308431	8-1/0AWG	TR02	2xM40	10.1
Stainless steel enclosures												
KER 316UL EMC	KER 316UL EMC Y/R	16 A	3HP	7.5HP	10HP	7.5HP	...309223	...309308	14-8AWG	H23	2xM25	1.3
KER 325UL EMC	KER 325UL EMC Y/R	25 A	5HP	10HP	15HP	10HP	...309230	...309315	14-8AWG	H23	2xM25	1.3
KER 340UL EMC	KER 340UL EMC Y/R	40 A	7.5HP	15HP	20HP	15HP	...309247	...309322	14-8AWG	H23	2xM25	1.3
KER 360UL EMC	KER 360UL EMC Y/R	60 A	10HP	20HP	25HP	25HP	...309254	...309339	12-4AWG	H32	2xM32	2.5
KER 380CUL EMC	KER 380CUL EMC Y/R	80 A	10HP	25HP	30HP	30HP	...309261	...309346	12-4AWG	H32	2xM32	2.5
KER 380UL EMC	KER 380UL EMC Y/R	80 A	15HP	25HP	30HP	40HP	...309278	...309353	8-1/0AWG	H32	2xM32	2.5
KER 3100UL EMC	KER 3100UL EMC Y/R	100 A	15HP	30HP	40HP	50HP	...309285	...309360	8-1/0AWG	H32	2xM40	2.9
KER 3125UL EMC	KER 3125UL EMC Y/R	125 A	20HP	40HP	50HP	60HP	...309292	...309377	8-1/0AWG	H32	2xM40	2.9

UL 60947-4-1A LISTED PRODUCTS KKV SWITCH FUSE 32 A

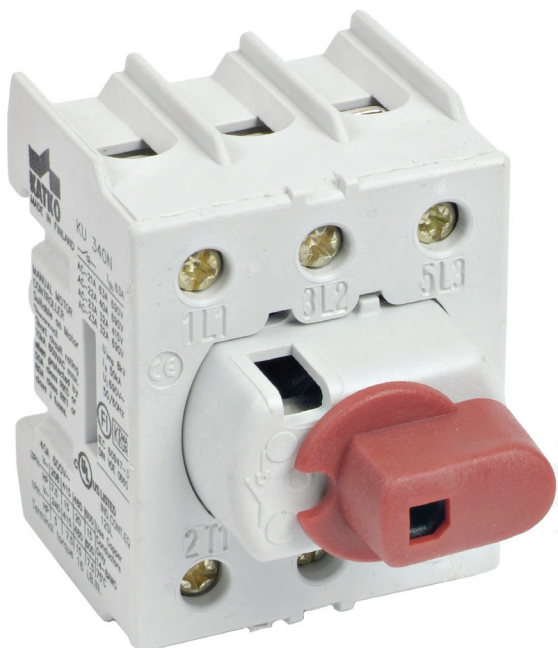


- UL 60947-4-1A
- CCA, CB certificates
- ISO 9001
- 3-4-pole
- Consists of a KU-switch and a fuse holder
- For KKV 332:10 x 38 fuses
- KKV 332 CC: CC-fuse version
- Compatible with LK10UL and LK11UL handles, and L=100/200/300 AD11 & L=100/200/300 AD11/VT shafts

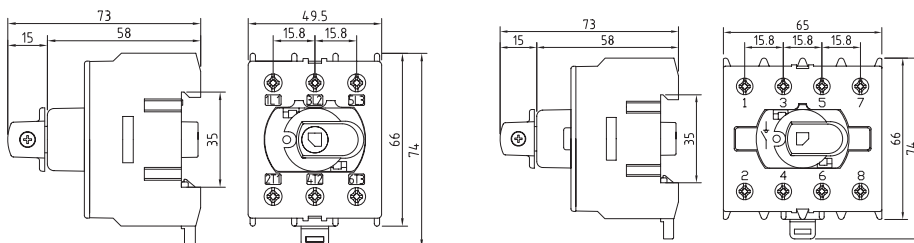


Type	Ie/A (600V)	208V	415V	480V	600V	Wire size	EAN code	Weight
						Cu only	6419410...	kg
KKV 332	32A	7,5HP	15HP	20HP	15HP	14-8 AWG	...212806	0.32
KKV 332 C	32A	7,5HP	15HP	20HP	15HP	14-8 AWG	...212813	0.32

UL LISTED PRODUCTS KU SERIES 16-80A



- Rotary switch with direct or extended handle
- UL 60947-4-1A
- CCA, CB certificates
- ISO 9001
- Compact size
- DIN-rail mounting
- Switch technology by means of silver contacts ensures safe and durable operation
- Extended handle version compatible with handles-LK10UL, LK11UL and shafts L=100/200/300 AD11, L=100/200/300 AD11/VT
- Direct handle version compatible with front plates K/KU



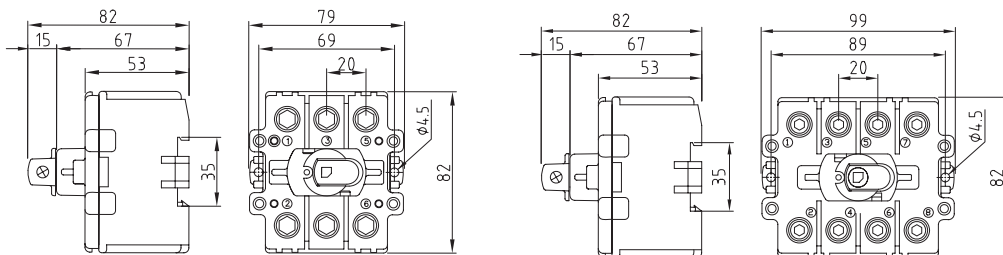
Type	Ampere rating	208V	415V	480V	600V	Wire size	EAN code	Weight
	(600V)					Cu only	6419410...	kg
EXTENDED HANDLE								
3-pole								
KU 316N	16A	3HP	7.5HP	10HP	7.5HP	14-8 AWG	...214305	0.19
KU 325N	25A	5HP	10HP	15HP	10HP	14-8 AWG	...214404	0.19
KU 340N	40A	7.5HP	15HP	20HP	15HP	14-8 AWG	...214503	0.19
KU 363N	60A	10HP	20HP	25HP	25HP	12-4 AWG	...214602	0.19
KU 380N	80A	10HP	25HP	30HP	30HP	12-4 AWG	...214701	0.19
4-pole								
KU 416N	16A	3HP	7.5HP	10HP	7.5HP	14-8 AWG	...215005	0.22
KU 425N	25A	5HP	10HP	15HP	10HP	14-8 AWG	...215203	0.22
KU 440N	40A	7.5HP	15HP	20HP	15HP	14-8 AWG	...215500	0.22
KU 463N	60A	10HP	20HP	25HP	25HP	12-4 AWG	...215906	0.22
KU 480N	80A	10HP	25HP	30HP	30HP	12-4 AWG	...216002	0.22



UL LISTED PRODUCTS VKA SERIES 80-150 A



- Rotary switch with direct or extended handle
- UL 60947-4-1A
- CCA, CB certificates
- ISO 9001
- Compact size
- Switch technology by means of silver contacts ensures safe and durable operation
- Extended handle version compatible with handles LK10UL, LK11UL and shafts L=100/200 AD11, L=100/200/300 AD11/VT
- Direct handle version compatible with front plates K/VKA



Type	Ampere rating (600V)	208V	415V	480V	600V	Wire size	EAN code	Weight
						Cu only	6419410...	kg
EXTENDED HANDLE								
3-pole								
VKA 380N	80A	15HP	25HP	30HP	40HP	8-1/0 AWG	...217443	0.51
VKA 3100N	100A	15HP	30HP	40HP	50HP	8-1/0 AWG	...217450	0.51
VKA 3125N	125A	20HP	40HP	50HP	60HP	8-1/0 AWG	...217504	0.51
VKA 3160N	150A	25HP	50HP	60HP	75HP	8-1/0 AWG	...218006	0.51
4-pole								
VKA 480N	80A	15HP	25HP	30HP	40HP	8-1/0 AWG	...218440	0.66
VKA 4100N	100A	15HP	30HP	40HP	50HP	8-1/0 AWG	...218556	0.66
VKA 4125N	125A	20HP	40HP	50HP	60HP	8-1/0 AWG	...218600	0.66
VKA 4160N	150A	25HP	50HP	60HP	75HP	8-1/0 AWG	...219102	0.66

UL LISTED PRODUCTS KUE SERIES 16-80 A & EVA SERIES 80-150 A

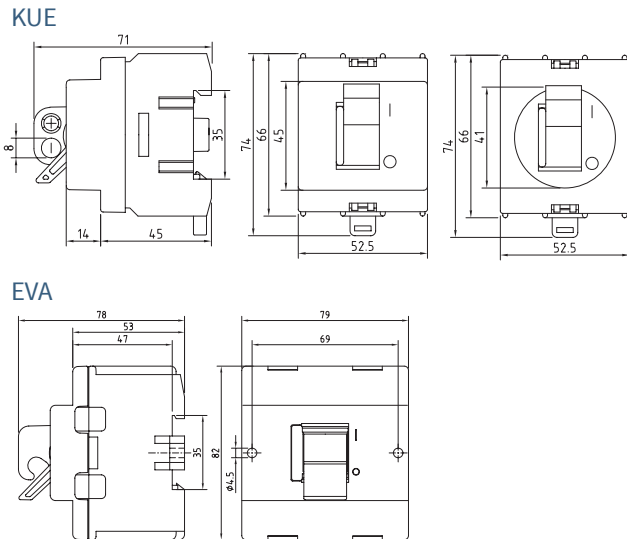


KUE

- Toggle handle
- UL 60947-4-1A
- CCA, CB certificates
- ISO 9001
- Compact size
- DIN-rail mounting
- 3-pole
- Switch technology by means of silver contacts ensures safe and durable operation
- Available with front plate K/KUE (rectangular) or R/KUE (circular)
- Available with yellow front plate and red toggle: add Y/R at the end of the product type



EVA

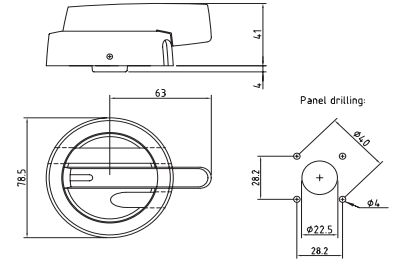
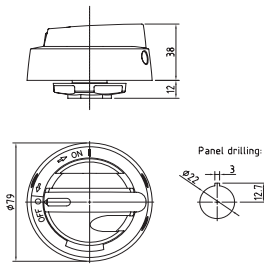


Type	Amp rating	208V	415V	480V	600V	Wire size	EAN code	Weight
	(600V)					Cu only		
KUE 316	16A	3HP	7.5HP	10HP	7.5HP	14-8 AWG	...200308	0.17
KUE 325	25A	5HP	10HP	15HP	10HP	14-8 AWG	...200407	0.17
KUE 340	40A	7.5HP	15HP	20HP	15HP	14-8 AWG	...200506	0.17
KUE 363	60A	10HP	20HP	25HP	25HP	12-4 AWG	...200605	0.18
KUE 380	80A	10HP	25HP	30HP	30HP	12-4 AWG	...200704	0.18
KUE 316 + K/KUE	16A	3HP	7.5HP	10HP	7.5HP	14-8 AWG	...200315	0.19
KUE 325 + K/KUE	25A	5HP	10HP	15HP	10HP	14-8 AWG	...200414	0.19
KUE 340 + K/KUE	40A	7.5HP	15HP	20HP	15HP	14-8 AWG	...200513	0.19
KUE 363 + K/KUE	60A	10HP	20HP	25HP	25HP	12-4 AWG	...200612	0.20
KUE 380 + K/KUE	80A	10HP	25HP	30HP	30HP	12-4 AWG	...200711	0.20
KUE 316 + R/KUE	16A	3HP	7.5HP	10HP	7.5HP	14-8 AWG	...200377	0.19
KUE 325 + R/KUE	25A	5HP	10HP	15HP	10HP	14-8 AWG	...200476	0.19
KUE 340 + R/KUE	40A	7.5HP	15HP	20HP	15HP	14-8 AWG	...200544	0.19
KUE 363 + R/KUE	60A	10HP	20HP	25HP	25HP	12-4 AWG	...200674	0.20
KUE 380 + R/KUE	80A	10HP	25HP	30HP	30HP	12-4 AWG	...200742	0.20

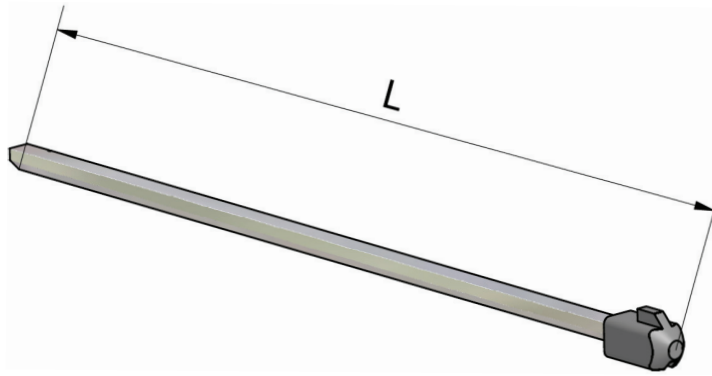
Type	Amp rating	208V	415V	480V	600V	Wire size	EAN code	Weight
	(600V)					Cu only		
EVA 380 + K/EVA	80A	15HP	25HP	30HP	40HP	8-1/0 AWG	...202463	0.54
EVA 3100 + K/EVA	100A	15HP	30HP	40HP	50HP	8-1/0 AWG	...202470	0.54
EVA 3125 + K/EVA	125A	20HP	40HP	50HP	60HP	8-1/0 AWG	...202517	0.54
EVA 3160 + K/EVA	150A	25HP	50HP	60HP	75HP	8-1/0 AWG	...203019	0.54



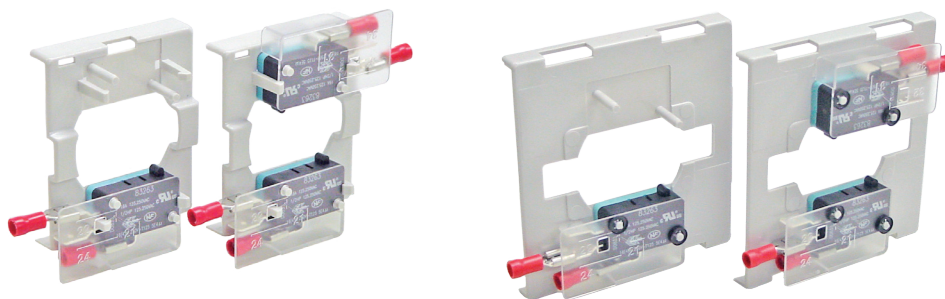
UL LISTED PRODUCTS ACCESSORIES FOR KU AND VKA SERIES



Type	Colour	Description	EAN code
			6419410...
LK10UL	Black	Type 4X rating	...222577
LK10UL Y/R	Y/R	Type 4X rating	...222584
LK11UL	Black	Type 4X rating	...222515
LK11UL Y/R	Y/R	Type 4X rating	...222522



Type	Description	EAN code
		6419410...
L=100 AD11	Length 100 mm, aluminium	...253106
L=200 AD11	Length 200 mm, aluminium	...253113
L=300 AD11	Length 300 mm, aluminium	...253120
L=100 AD11/VT	Length 100 mm, steel, slanted	...253168
L=200 AD11/VT	Length 200 mm, steel, slanted	...253175
L=300 AD11/VT	Length 300 mm, steel, slanted	...253182



-16 A 1/2 HP 125/250 VAC

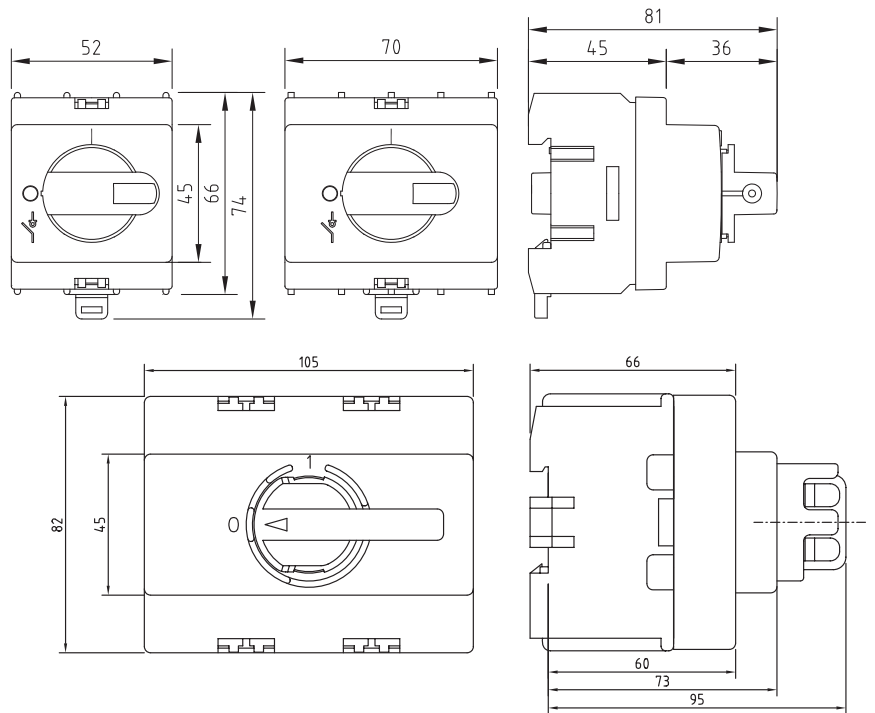
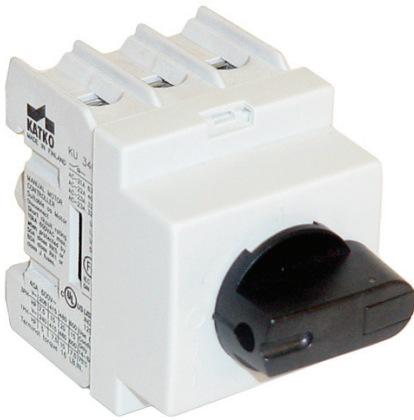


Type	For	Description	EAN code
			6419410...
KU1.V	KU	1NO+1NC	...300008
KU2.V	KU	2NO+2NC	...300107
VKA 1.V	VKA	1NO+1NC	...300206
VKA 2.V	VKA	2NO+2NC	...300305

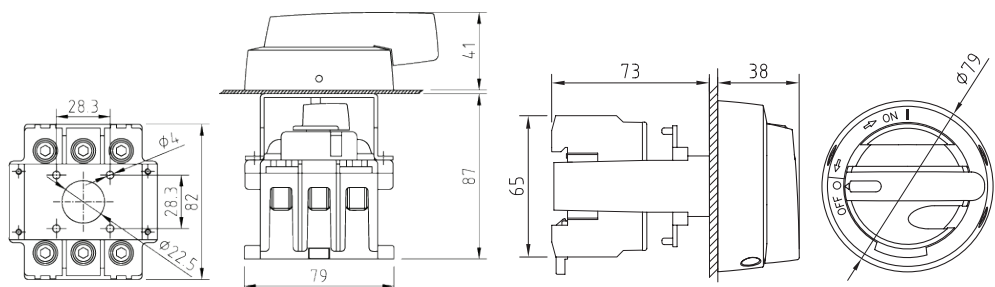


UL LISTED PRODUCTS ACCESSORIES FOR KU AND VKA SERIES

- Front plates with direct handle for KU & VKA switches



Type	For	Description	EAN code
K/KU 3P	KU 3P	Grey plate, black handle	6419410...221600
K/KU 3P Y/R	KU 3P	Yellow plate, red handle	...221617
K/KU 4P	KU 4P	Grey plate, black handle	...222805
K/KU 4P Y/R	KU 4P	Yellow plate, red handle	...222812
K/VKA 3P-4P	VKA 3-4P	Grey plate, black handle	...218709
K/VKA 3P-4P Y/R	VKA 3-4P	Yellow plate, red handle	...218808

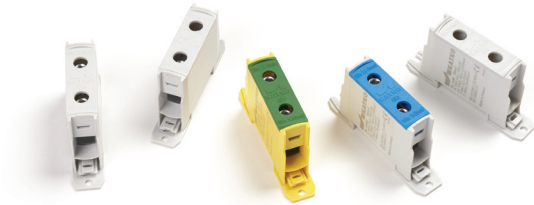


Type	For	Description	EAN code
OKA/KU/LK10UL	KU	Black, for 3P switch, with LK10UL handle	6419410...224724
OKA/KU/LK10UL Y/R	KU	Y/R, for 3P switch, with LK10UL handle	...224731
OKA/VKAUL	VKA	Black, for 3P switch, with LK11UL handle	...224748
OKA/VKAUL Y/R	VKA	Y/R, for 3P switch, with LK11UL handle	...224755



TERMINAL BLOCKS - UL 1059

- UL cables: 500 kcmil - 6 AWG
- IEC cables: 50 - 240 mm²
- Available in grey, blue (N) and yellow/green (PE)
- Housing and cover in polyamide
- Terminal material tin-coated, greased aluminium
- For DIN-rail or base mounting
- Environmentally friendly materials
- UL 1059, CAN/CSA C22.2 No. 158-10
- Certified according to IEC 61238-1 Class A
- **Dimensional drawings: page 84**



Type	EAN code 6419410...	Voltage (V)	Ampere Al (A)	Ampere Cu (A)	Line/Load Wire Size-Str Cu/Al (kcmil/AWG)	Torque Al/Cu lb-in	Key size	Mounting	Weight kg
KL1x50	...378250	1000V	120A	150A	1/0 - 6	90 lb in	Hex 5	Screw / DIN	0.060
KL1x50N	...378267								
KL1x50PE	...378274								
KL2x50	...378281	1000V	240A	300A	1/0 - 6	90 lb in	Hex 5	Screw / DIN	0.104
KL2x50N	...378298								
KL1x95	...378311	1000V	155A	200A	3/0 - 4	110 lb in (1/0 - 4 AWG) / 200 lb in (3/0 - 2/0 AWG)	Hex 6	Screw / DIN	0.096
KL1x95N	...378328								
KL1x95PE	...378335								
KL2x95	...378342	1000V	360A	460A	4/0 - 4	110 lb in (1/0 - 4 AWG) / 200 lb in (4/0 - 2/0 AWG)	Hex 6	Screw / DIN	0.169
KL2x95N	...378359								
KL1x150	...378373	1000V	230A	285A	300 - 2	110 lb in (1/0 - 2 AWG) / 200 lb in (4/0 - 2/0 AWG) / 340 lb in (300 - 250 kcmil)	Hex 6	Screw / DIN	0.181
KL1x150N	...378380								
KL2x150	...378403								
KL2x150N	...378410	1000V	460A	570A	300 - 2	110 lb in (1/0 - 2 AWG) / 200 lb in (4/0 - 2/0 AWG) / 340 lb in (300 - 250 kcmil)	Hex 6	Screw / DIN	0.317
KL1x240	...378434	1000V	310A	380A	500 - 3/0	220 lb in (250 kcmil - 3/0 AWG) / 490 lb in (500 - 300 kcmil)	Hex 8	Screw / DIN	0.293
KL1x240N	...378441								
KL2x240	...378465								
KL2x240N	...378472	1000V	620A	760A	500 - 3/0	220 lb in (250 kcmil - 3/0 AWG) / 490 lb in (500 - 300 kcmil)	Hex 8	Screw / DIN	0.522

-- Grey, N = Blue, PE = Yellow/Green



 **KATKO**

ON I
OFF O

DC ISOLATOR

TERMINAL BLOCKS

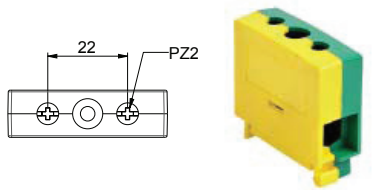
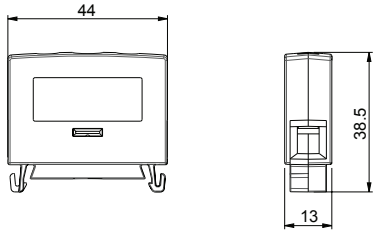
- Suitable for Al/Cu cables: 1.5 - 240 mm²
- Available in grey, blue (N) and yellow/green (PE)
- Touchproof, IP20
- Housing and cover in polyamide
- Certified according to IEC 61238-1 Class A
- Terminal material tin-coated, greased aluminium
- KC-terminals 16 - 35 mm² for DIN-rail mounting
- KL-terminals 50 - 240 mm² for DIN-rail or base mounting
- Environmentally friendly materials
- Durable laser markings
- **UL 1059 available, see page 81**



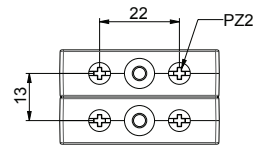
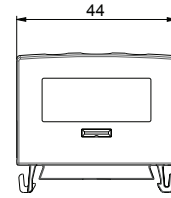
Type	Un (V)	In (Al) (A)	In (Cu) (A)	Al/Cu mm ²	Torque Al/Cu (Nm)	No of conductors	Key size	Mounting	EAN code 6419410...	Weight kg
KC 1x16	800	-	63	1.5-16*	1.8	2	PZ2	DIN	...357200	0.021
KC 1x16N									...357217	
KC 1x16PE									...357224	
KC 2x16	800	-	125	1.5-16*	1.8	4	PZ2	DIN	...357507	0.047
KC 2x16N									...357514	
KC 2x16PE									...357521	
KC 1x35	800	-	135	2.5-35*	2.5	2	PZ2	DIN	...357231	0.03
KC 1x35N									...357248	
KC 1x35PE									...357255	
KC 2x35	800	-	270	2.5-35*	2.5	4	PZ2	DIN	...357538	0.069
KC 2x35N									...357545	
KC 2x35PE									...357552	
KL1x50	1000	160	160	2.5 - 50	5 (2.5 - 16 mm ²)	2	Hex 5	Screw / DIN	...378250	0.060
KL1x50N					...378267					
KL1x50PE					...378274					
KL2x50	1000	200	320	2.5 - 50	5 (2.5 - 16 mm ²)	4	Hex 5	Screw / DIN	...378281	0.104
KL2x50N					...378298					
KL2x50PE					...378304					
KL1x95	1000	200	245	16 - 95	12 (16 - 50 mm ²)	2	Hex 6	Screw / DIN	...378311	0.096
KL1x95N					...378328					
KL1x95PE					...378335					
KL2x95	1000	400	490	16 - 95	12 (16 - 50 mm ²)	4	Hex 6	Screw / DIN	...378342	0.169
KL2x95N					...378359					
KL2x95PE					...378366					
KL1x150	1000	250	320	25 - 150	12 (25 - 50 mm ²)	2	Hex 6	Screw / DIN	...378373	0.181
KL1x150N					...378380					
KL1x150PE					...378397					
KL2x150	1000	500	640	25 - 150	12 (25 - 50 mm ²)	4	Hex 6	Screw / DIN	...378403	0.317
KL2x150N					...378410					
KL2x150PE					...378427					
KL1x240	1000	315	425	35 - 240	25 (35 - 120 mm ²)	2	Hex 8	Screw / DIN	...378434	0.293
KL1x240N					...378441					
KL1x240PE					...378458					
KL2x240	1000	630	850	35 - 240	25 (35 - 120 mm ²)	4	Hex 8	Screw / DIN	...378465	0.522
KL2x240N					...378472					
KL2x240PE					...378489					

*Only copper cables

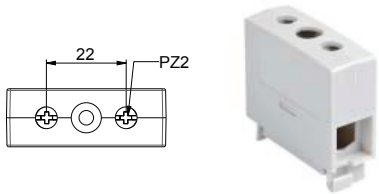
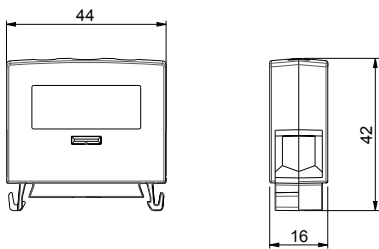
TERMINAL BLOCKS



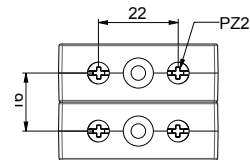
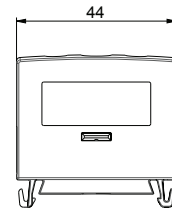
KC 1x16



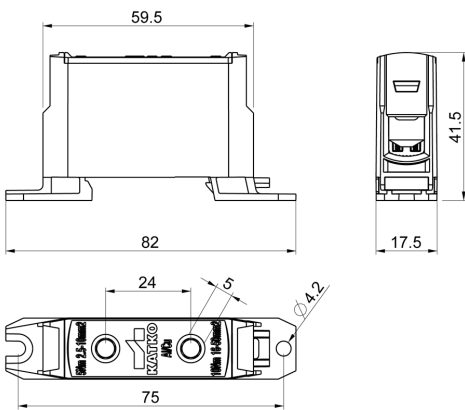
KC 2x16



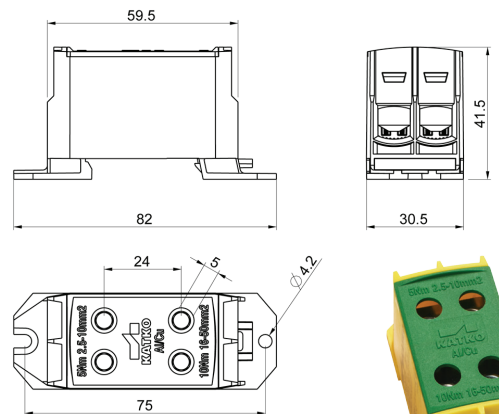
KC 1x35



KC 2x35



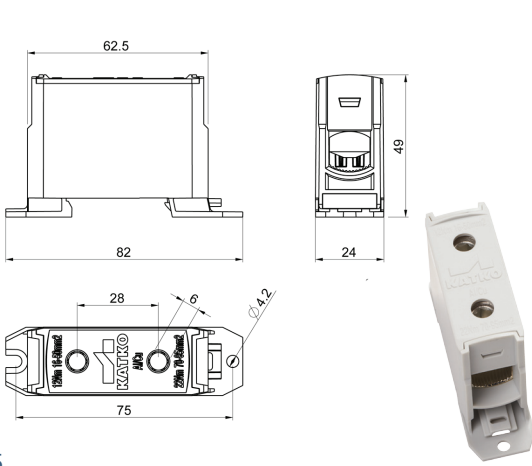
KL 1x50



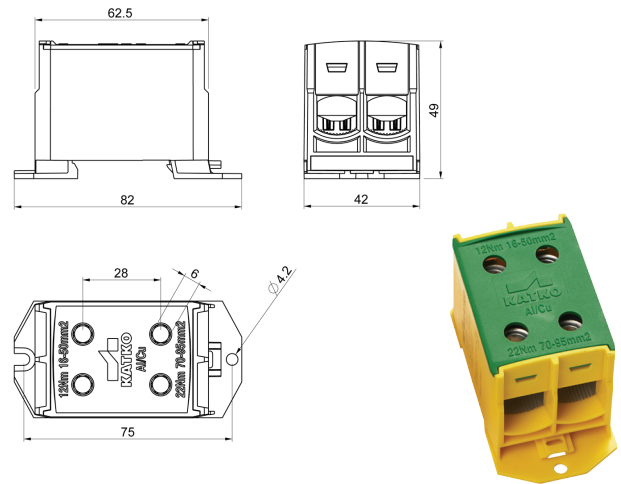
KL 2x50



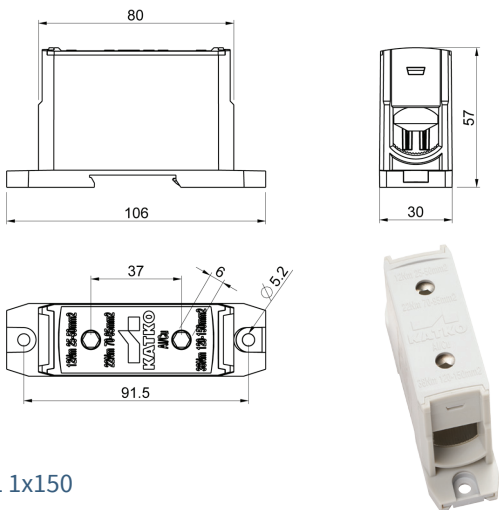
TERMINAL BLOCKS



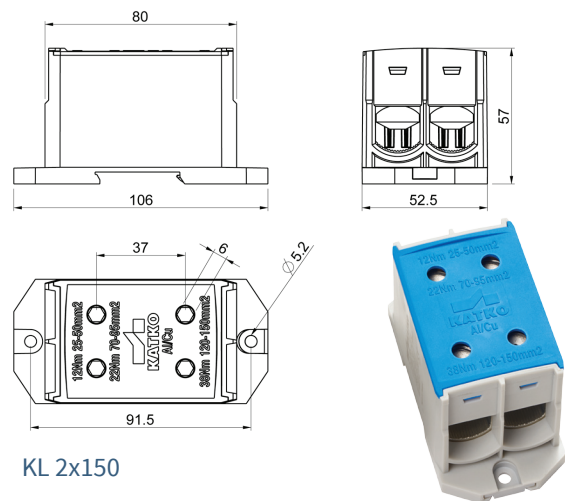
KL 1x95



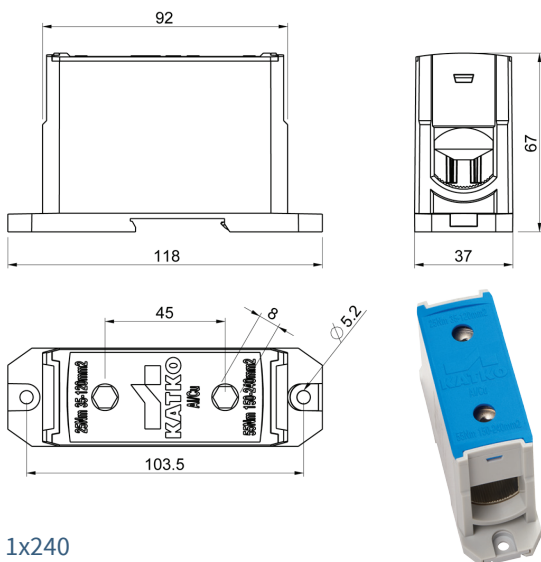
KL 2x95



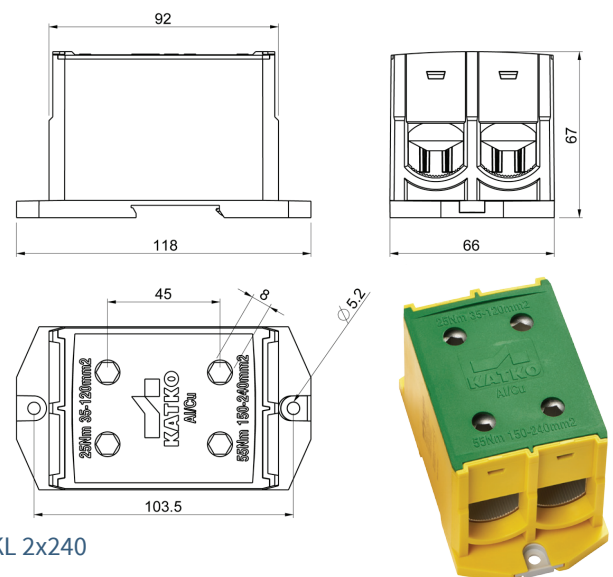
KL 1x150



KL 2x150



KL 1x240



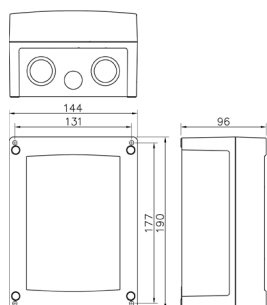
KL 2x240

TERMINAL BLOCKS POLYCARBONATE AND STAINLESS STEEL ENCLOSED



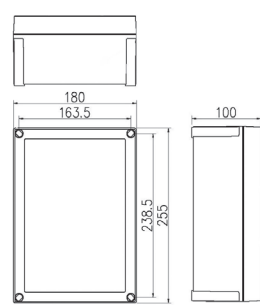
- Suitable for 1.5(Cu) / 2.5(Al) - 240 mm² Al/Cu cables
- Material: tin-coated aluminium
- IP66: U3, U4, H32, H02; IP 65: MF01, MF03, H03
- All models include:
 - L1, L2 ja L3 terminal blocks, grey (single or double)
 - N- terminal block (single or double)
 - PE -terminal block (single or double)
- Environmentally friendly materials
- Cable glands included

U3



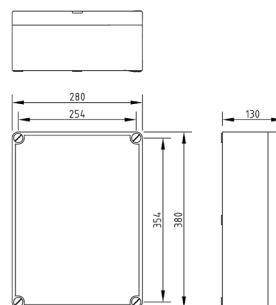
H32

U4



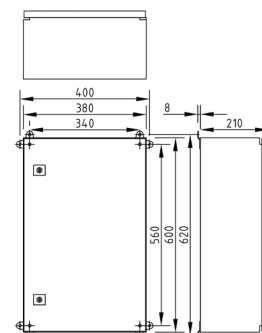
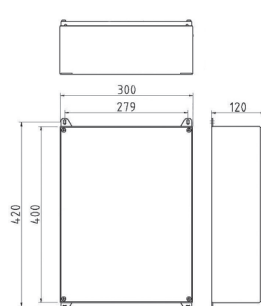
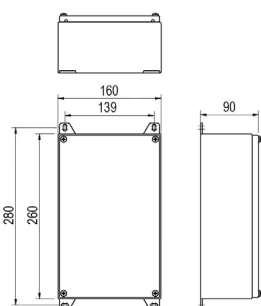
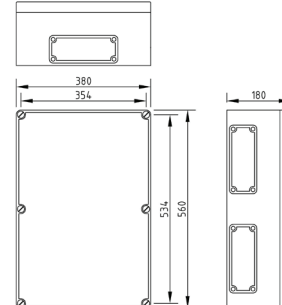
H02

MF01



H03

MF03



Type	Un (V)	In (Al) (A)	In (Cu) (A)	Al/Cu mm ²	Torque Al/Cu (Nm)	No of cables	Key size	Enclosure	Cable glands	EAN code 6419410...	Weight kg
KLM 2x16	800	-	125	1.5-16 (Cu)	1.8	4	PZ2	U3	M32 x4	...391815	0,8
KLM 1x50	1000	160	160	2.5 - 50	5 (2.5 - 16 mm ²) / 10 (25 - 50 mm ²)	2	Hex 5	U4	M40 x2	...391846	1,1
KLM 2x50	1000	200	320	2.5 - 50	5 (2.5 - 16 mm ²) / 10 (25 - 50 mm ²)	4	Hex 5	U4	M40 x4	...391853	1,3
KLM 1x95	1000	200	245	16 - 95	12 (16 - 50 mm ²) / 22 (70 - 95 mm ²)	2	Hex 6	MF01	M63 x2	...391860	2,3
KLM 2x95	1000	400	490	16 - 95	12 (16 - 50 mm ²) / 22 (70 - 95 mm ²)	4	Hex 6	MF01	M63 x4	...391877	3,0
KLM 2x150	1000	500	640	25 - 150	12 (25 - 50 mm ²) / 22 (70 - 95 mm ²) / 38 (120 - 150 mm ²)	4	Hex 6	MF03	EPA 2260 x2	...391891	5,0

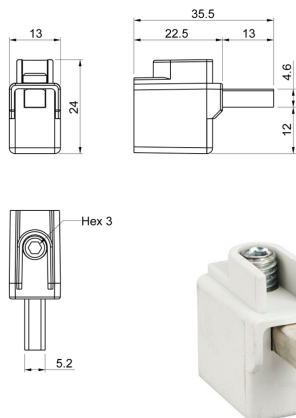
Type	Un (V)	In (Al) (A)	In (Cu) (A)	Al/Cu mm ²	Torque Al/Cu (Nm)	No of cables	Key size	Enclosure	Cable glands	EAN code 6419410...	Weight kg
KLR 2x16	800	-	125	1.5-16 (Cu)	1.8	4	PZ2	H32	M32 x4	...391921	2,4
KLR 1x50	1000	160	160	2.5 - 50	5 (2.5 - 16 mm ²) / 10 (25 - 50 mm ²)	2	Hex 5	H32	M40 x2	...391969	2,6
KLR 2x50	1000	200	320	2.5 - 50	5 (2.5 - 16 mm ²) / 10 (25 - 50 mm ²)	4	Hex 5	H32	M40 x4	...391976	6,2
KLR 1x95	1000	200	245	16 - 95	12 (16 - 50 mm ²) / 22 (70 - 95 mm ²)	2	Hex 6	H02	M63 x2	...391983	6,0
KLR 2x95	1000	400	490	16 - 95	12 (16 - 50 mm ²) / 22 (70 - 95 mm ²)	4	Hex 6	H02	M63 x4	...391990	6,8
KLR 2x150	1000	500	640	25 - 150	12 (25 - 50 mm ²) / 22 (70 - 95 mm ²) / 38 (120 - 150 mm ²)	4	Hex 6	H03	EPA 2260 x2	...392010	15,5

CABLE CONNECTORS

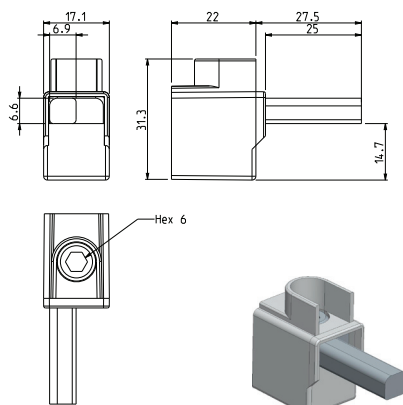


- Suitable for 1.5-240 mm² Al/Cu cables:
- Material: tin-coated aluminium
- In accordance with VDE 0220 part 1/11.71 and 2/11.71,
- SEN 24 50 12, SFS 2663 and IEC 61238-1
- Environmentally friendly materials

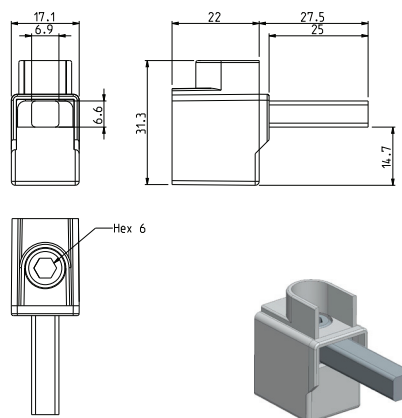
KKL 1x16



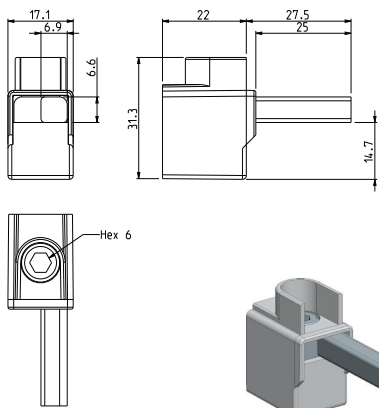
KKL 1x50T1



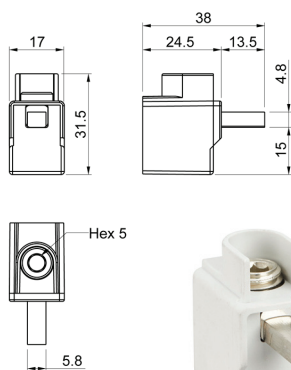
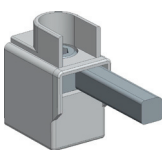
KKL 1x50T2



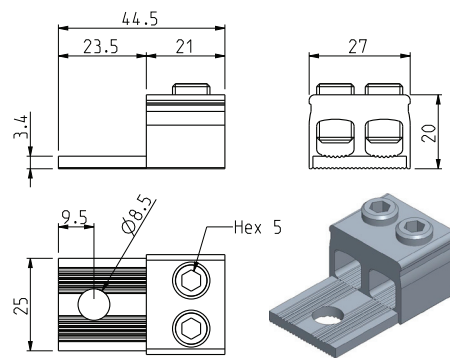
KKL 2x50T3



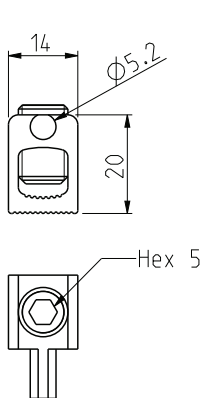
KKL 1x50M



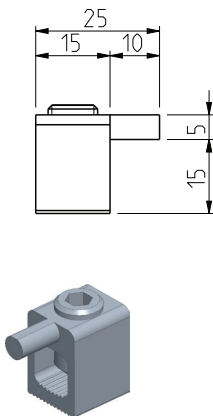
KKL 2x50M



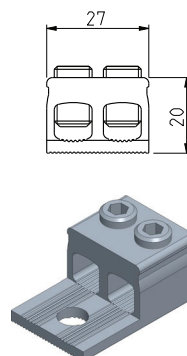
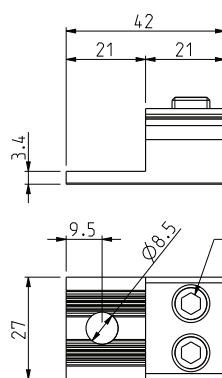
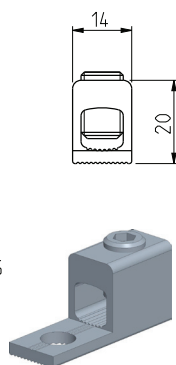
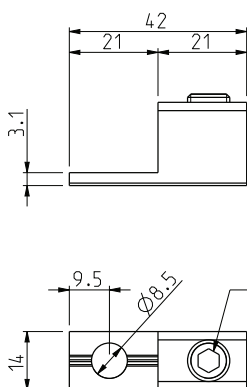
KKL 1x50N



KKL 1x50

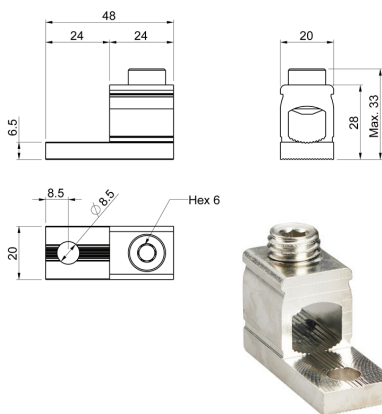


KKL 2x50

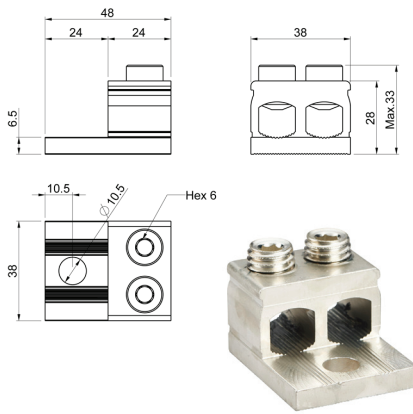


CABLE CONNECTORS

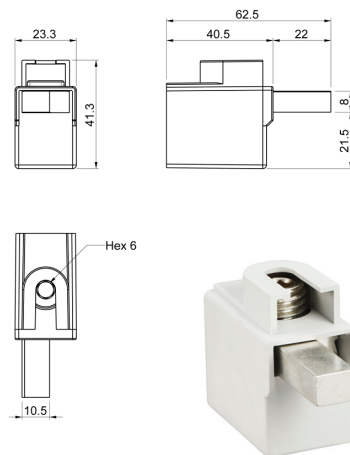
KKL 1x95



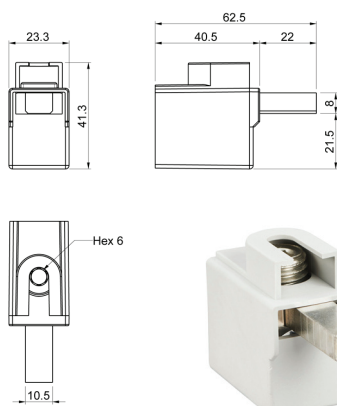
KKL 2x95



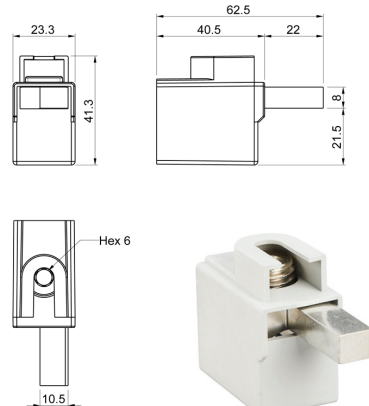
KKL 1x120T1



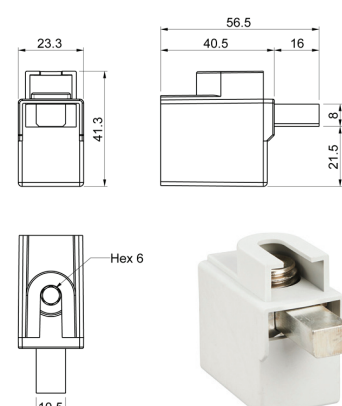
KKL 1x120T2



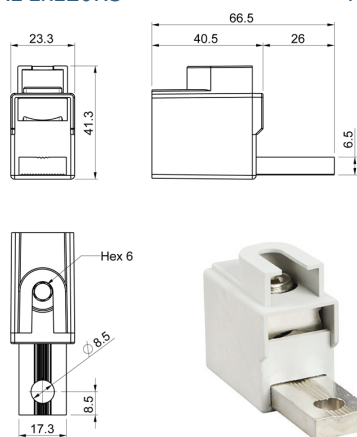
KKL 1x120T3



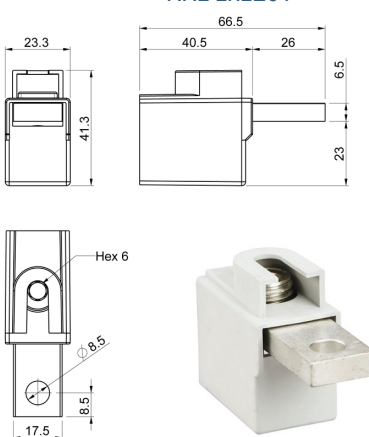
KKL 1x120TM



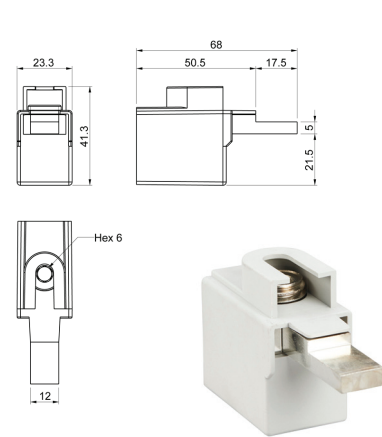
KKL 1x120RS



KKL 1x120RSY



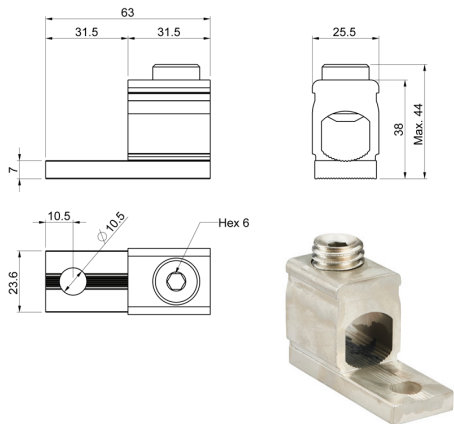
KKL 1x120T



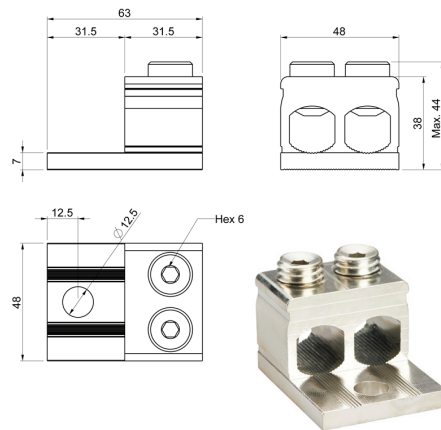
Type	Un (V)	In (Al) (A)	In (Cu) (A)	Al mm ²	Cu mm ²	Torque Al/Cu (Nm)	Number of conductors	Allen key size	Mounting	EAN code 6419410...	Weight kg
KKL 1X16	690	63	63	1,5-16	1,5-16	2,2 (1,5-16mm ²)	1	Hex 3	Direct	...378496	0.01
KKL 1x50T.1	690	125	125	16-50	2,5-50	5 (2,5-16mm ²) / 10 (25-50mm ²)	1	Hex 5	Direct	...378717	0.019
KKL 1X50T.2	690	125	125	16-50	2,5-50	5 (2,5-16mm ²) / 10 (25-50mm ²)	1	Hex 5	Direct	...378502	0.019
KKL 1x50T.3	690	125	125	16-50	2,5-50	5 (2,5-16mm ²) / 10 (25-50mm ²)	1	Hex 5	Direct	...378724	0.019
KKL 1X50M	690	125	125	16-50	2,5-50	5 (2,5-16mm ²) / 10 (25-50mm ²)	1	Hex 5	Direct	...378519	0.017
KKL 1X50N	690	125	125	16-50	2,5-50	5 (2,5-16mm ²) / 10 (25-50mm ²)	1	Hex 5	Direct	...378670	0.014
KKL 1X50	690	160	160	16-50	2,5-50	5 (2,5-16mm ²) / 22 (70-120 mm2)	1	Hex 5	Bolt	...378571	0.011
KKL 2X50	690	200	320	16-50	16-50	5 (2,5-16mm ²) / 10 (25-50mm ²)	2	Hex 5	Bolt M8	...378588	0.023
KKL 2X50M	690	200	320	16-50	16-50	5 (2,5-16mm ²) / 10 (25-50mm ²)	2	Hex 5	Bolt M8	...378663	0.023
KKL 1X95	690	200	245	25-95	25-95	12 (16-50 mm ²) / 22 (70-95 mm2)	1	Hex 6	Bolt M8	...378595	0.03
KKL 2X95	690	400	490	25-95	25-95	12 (16-50 mm ²) / 22 (70-95 mm2)	2	Hex 6	Bolt M10	...378601	0.061
KKL 1X120T.1	690	200	245	16-120	16-120	12 (16-50 mm ²) / 22 (70-120 mm2)	1	Hex 6	Direct	...378526	0.037
KKL 1X120T.2	690	200	245	16-120	16-120	12 (16-50 mm ²) / 22 (70-120 mm2)	1	Hex 6	Direct	...378533	0.037
KKL 1X120T.3	690	200	245	16-120	16-120	12 (16-50 mm ²) / 22 (70-120 mm2)	1	Hex 6	Direct	...378540	0.037
KKL 1X120T	690	200	245	16-120	16-120	12 (16-50 mm ²) / 22 (70-120 mm2)	1	Hex 6	Direct	...378700	0.037
KKL 1X120TM	690	200	245	16-120	16-120	12 (16-50 mm ²) / 22 (70-120 mm2)	1	Hex 6	Direct	...378557	0.037
KKL 1X120RS	690	200	245	16-120	16-120	12 (16-50 mm ²) / 22 (70-120 mm2)	1	Hex 6	Bolt M8	...378687	0.044
KKL 1X120RSY	690	200	245	16-120	16-120	12 (16-50 mm ²) / 22 (70-120 mm2)	1	Hex 6	Bolt M8	...378694	0.044

CABLE CONNECTORS

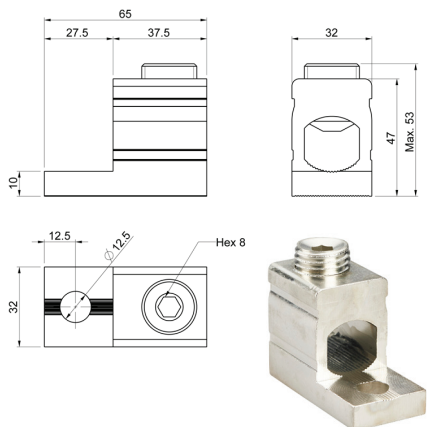
KKL 1x150



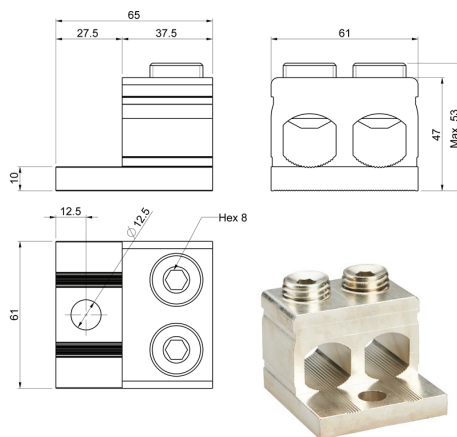
KKL 2x150



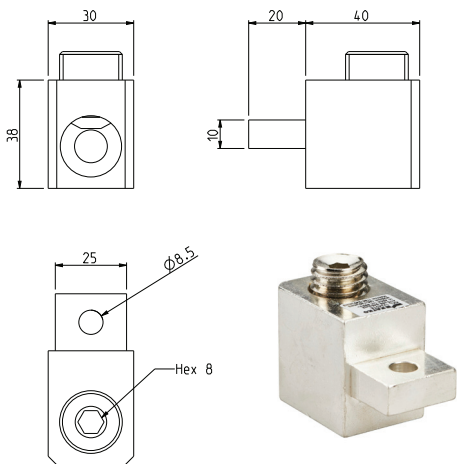
KKL 1x240



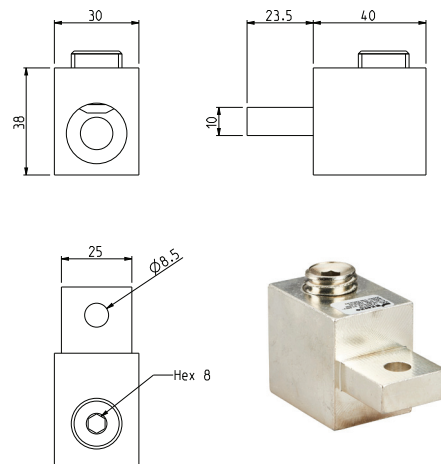
KKL 2x240



KKL 1x240TE



KKL 1x240TM



Type	Un (V)	In (Al) (A)	In (Cu) (A)	Al mm ²	Cu mm ²	Torque Al/Cu (Nm)	Number of conductors	Allen key size	Mounting	EAN code 6419410...	Weight kg
KKL 1X150	690	250	320	25-150	25-150	12 (25-50 mm ²) / 22 (70-95 mm ²) / 38 (120-150 mm ²)	1	Hex 6	Bolt M10	...378618	0.073
KKL 2X150	690	500	640	25-150	25-150	12 (25-50 mm ²) / 22 (70-95 mm ²) / 38 (120-150 mm ²)	2	Hex 6	Bolt M12	...378625	0.15
KKL 1X240	690	315	425	35-240	35-240	25 (35-120 mm ²) / 55 (150-240 mm ²)	1	Hex 8	Bolt M12	...378632	0.113
KKL 2X240	690	630	850	35-240	35-240	25 (35-120 mm ²) / 55 (150-240 mm ²)	2	Hex 8	Bolt M12	...378649	0.245
KKL 1X240TM	690	400	425	35-240	35-240	25 (35-120 mm ²) / 40 (150-240 mm ²)	1	Hex 8	Bolt M12	...378656	0.113
KKL 1X240TE	690	400	400	35-240	35-240	25 (35-120 mm ²) / 40 (150-240 mm ²)	1	Hex 8	Bolt M12	...378731	0.113

EXAMPLES OF USE



MCB 16 A + KKL 1x16T



VKA 3160 + KKL 1x120T



KVKE 3125 + KKL 1x120T

& KKL 1X120T2
& KKL 1X120T3



MCCB 160 A + KKL 1x120TM



VKE 3250 + KKL 1x240



METRIC CABLE GLANDS (PLASTIC)

MOULDED CABLE GLANDS WITH STRAIN RELIEF



KPK-MVP

Material: Polyamide
Colour: Grey, RAL 7035
IP68

Type	Cable Ø mm	Thread mm	Width mm	Pcs	EAN code 6419410...
KPK M12 MVP	3...6	8	15	100	...362808
KPK M16 MVP	5...10	8	20	100	...362815
KPK M20 MVP	8...13	8	24	100	...362822
KPK M25 MVP	11...17	8	29	50	...362839
KPK M32 MVP	15...21	10	36	25	...362846
KPK M40 MVP	19...28	10	46	10	...362853
KPK M50 MVP	27...35	12	55	5	...362860
KPK M63 MVP	32...42	12	68	5	...362877

ATEX CABLE GLANDS WITH STRAIN RELIEF



KPK-MVP EX

Material: Polyamide
Colour: Black, RAL 9005
⊕ II 2 GD EEx e
IP66

Type	Cable Ø mm	Thread mm	Width mm	Pcs	EAN code 6419410...
KPK M20 MVP EX	5.5...13	8	24	100	...362761
KPK M25 MVP EX	8...17	8	29	50	...362778
KPK M32 MVP EX	12...21	10	36	25	...362785
KPK M40 MVP EX	17...28	10	46	10	...362792

ENLARGERS



KE

Material: Polyamide
Colour: Grey, RAL 7035

Type	Thread mm	Width mm	Height mm	Pcs	EAN code 6419410...
KE M12-16	8	20	20.5	100	...461181
KE M16-20	8	24	20.5	100	...461198
KE M20-25	8	30	21	100	...461204
KE M25-32	8	37	23	50	...461211
KE M32-40	10	45	25	50	...461228

REDUCTIONS



KR

Material: Polyamide
Colour: Grey, RAL 7035

Type	Thread mm	Width mm	Height mm	Pcs	EAN code 6419410...
KR M20-12	8	24	12	100	...361795
KR M20-16	8	24	12	100	...361801
KR M25-12	8	32	14	100	...361818
KR M25-16	8	32	14	100	...361825
KR M25-20	8	32	14	100	...361832
KR M32-12	10	36	16	50	...361849
KR M32-16	10	36	16	50	...361856
KR M32-20	10	36	16	50	...361863
KR M32-25	10	36	16	50	...361870
KR M40-16	10	46	16	50	...361887
KR M40-20	10	46	16	50	...361894
KR M40-25	10	46	16	50	...361900
KR M40-32	10	46	16	50	...361917
KR M50-20	12	55	18	25	...361924
KR M50-25	12	55	18	25	...361931
KR M50-32	12	55	18	25	...361948
KR M50-40	12	55	18	25	...361955
KR M63-25	12	68	18	25	...361962
KR M63-32	12	68	18	25	...361979
KR M63-40	12	68	18	25	...361986
KR M63-50	12	68	18	25	...361993

METRIC CABLE GLANDS (PLASTIC)

ADAPTERS



PG-M

Material: Polyamide
Colour: Grey, RAL 7035

Type	Thread mm	Width mm	Height mm	Pcs	EAN code 6419410...
KR PK7-M12	8.0	15.0	20.0	100	...459911
KR PK7-M16	8.0	20.0	20.0	100	...459928
KR PK9-M12	8.0	19.0	20.0	100	...459935
KR PK9-M16	8.0	20.0	20.0	100	...459942
KR PK9-M20	8.0	24.0	20.0	100	...459959
KR PK11-M16	8.0	22.0	20.0	100	...459966
KR PK11-M20	8.0	24.0	20.0	100	...459973
KR PK13-M16	9.0	24.0	21.0	100	...459980
KR PK13-M20	9.0	24.0	21.0	100	...459997
KR PK13-M25	9.0	30.0	21.5	100	...461006
KR PK16-M20	10.0	27.0	22.0	100	...461013
KR PK16-M25	10.0	30.0	22.5	100	...461020
KR PK21-M25	11.0	33.0	23.5	50	...461037
KR PK21-M32	11.0	37.0	25.5	50	...461044
KR PK29-M32	11.0	42.0	25.5	50	...461051
KR PK29-M40	11.0	45.0	25.5	50	...461068



M-PG

Material: Polyamide
Colour: Grey, RAL 7035
H = Hexagon

Type	Thread mm	Width mm	Height mm	Pcs	EAN code 6419410...
KR M12-PK7 H	8.0	15.0	21.0	100	...461075
KR M12-PK9 H	11.0	19.0	23.5	100	...461082
KR M16-PK9 H	11.0	19.0	24.5	100	...461099
KR M20-PK11 H	11.0	22.0	26.5	100	...461105
KR M20-PK13,5 H	11.0	24.0	26.0	100	...461112
KR M25-PK16 H	11.0	27.0	29.0	50	...461129
KR M25-PK21 H	11.0	32.0	31.0	50	...461136
KR M32-PK29 H	11.0	42.0	33.0	25	...461143
KR M40-PK29 H	11.0	42.0	34.0	10	...461150
KR M50-PK36 H	11.0	53.0	37.0	10	...461167
KR M50-PK42 H	11.0	60.0	39.0	10	...461174
KR M63-PK48 H	11.0	65.0	40.0	10	...461488

SCREW PLUGS



KST

Material: Polyamide
Colour: Grey, RAL 7035

Type	Thread mm	Width mm	Height mm	Pcs	EAN code 6419410...
KST M12	6.0	15.0	10.0	100	...461235
KST M16	6.0	20.0	10.5	100	...461242
KST M20	6.0	24.0	10.5	100	...461259
KST M25	8.0	30.0	13.0	100	...461266
KST M32	8.0	37.0	13.5	100	...461273
KST M40	8.0	46.0	14.0	50	...461280
KST M50	10.0	56.0	16.5	50	...461297
KST M63	12.0	70.0	17.0	50	...461303

HEXAGONAL LOCKNUTS



KVM

Material: Polyamide
Colour: Grey, RAL 7035

Type	Width mm	Height mm	Pcs	EAN code 6419410...
KVM M12	17.0	5.0	100	...359709
KVM M16	22.0	5.0	100	...359716
KVM M20	27.0	6.0	100	...359723
KVM M25	32.0	6.0	100	...359730
KVM M32	41.0	7.0	100	...359747
KVM M40	50.0	7.0	50	...359754
KVM M50	60.0	8.0	50	...359761
KVM M63	75.0	8.0	50	...359778

METRIC CABLE GLANDS (METAL)

CABLE GLANDS WITH STRAIN RELIEF



KPK-TVP

Material:
Nickel-coated brass
IP68

Type	Cable Ø mm	Thread mm	Width mm	Pcs	EAN code 6419410...
KPK M12 TVP	3...6	5.0	14.0	100	...362884
KPK M16 TVP	5...9	5.0	17.0	100	...362891
KPK M20 TVP	9...13	6.0	22.0	100	...362907
KPK M25 TVP	11...16	7.0	27.0	50	...362914
KPK M32 TVP	14...21	8.0	34.0	25	...362921
KPK M40 TVP	19...27	8.0	43.0	10	...362938
KPK M50 TVP	24...35	9.0	55.0	5	...362945
KPK M63 TVP	32...42	10.0	65.0	5	...362952

EMC-PROTECTED CABLE GLANDS WITH STRAIN RELIEF



KPK-TVP/EMC-Y

Material:
EMC-protected
nickel-coated brass
IP68

Type	Cable Ø mm	Thread mm	Width mm	Pcs	EAN code 6419410...
KPK M12 TVP/EMC-Y	3...6,5	5	14	100	...363287
KPK M16 TVP/EMC-Y	4,5...10	5	17	100	...363263
KPK M20 TVP/EMC-Y	6...12	6	22	100	...363201
KPK M25 TVP/EMC-Y	11...17	7	27	50	...363218
KPK M32 TVP/EMC-Y	15...21	8	34	25	...363225
KPK M40 TVP/EMC-Y	19...28	8	43	10	...363232
KPK M50 TVP/EMC-Y	27...38	9	55	5	...363249
KPK M63 TVP/EMC-Y	34...44	10	65	5	...363256
KPK M63L TVP/EMC-Y	37...53	10	75	5	...360941
KPK M75T/EMC-Y	53...64	18	90	4	...360958
KPK M85T/EMC-Y	69...74	20	108	4	...360965
KPK M105T/EMC-Y	75...90	22	130	1	...360972

ATEX CABLE GLANDS WITH STRAIN RELIEF



KPK-TVP EX

Material:
Nickel-coated brass
Ex I 2 GD EEx e
IP68

Type	Cable Ø mm	Thread mm	Width mm	Pcs	EAN code 6419410...
KPK M20 TVP EX	9...13	6.0	22.0	100	...362686
KPK M25 TVP EX	11...16	7.0	27.0	50	...362693
KPK M32 TVP EX	14...21	8.0	34.0	25	...362709
KPK M40 TVP EX	19...27	8.0	43.0	10	...362716

ACID PROOF CABLE GLANDS WITH STRAIN RELIEF



KPK-HVP

Material:
Acid proof steel,
according to AISI 316
IP68
Hexagon locknuts
included

Type	Cable Ø mm	Thread mm	Width mm	Pcs	EAN code 6419410...
KPK M16 HVP	7...11,5	6.0	20.0	10	...461419
KPK M20 HVP	8...15	6.0	24.0	10	...461426
KPK M25 HVP	13...20	7.5	32.0	10	...461433
KPK M32 HVP	18...25,5	8.0	38.0	10	...461440

HEXAGONAL ENLARGERS



KE-TH

Material:
Nickel-coated brass

Type	Height mm	Thread mm	Key size mm	Pcs	EAN code 6419410...
KE M12-16 TH	5.0	18.0	16.0	100	...361405
KE M16-20 TH	5.0	22.0	16.5	100	...361412
KE M20-25 TH	6.0	27.0	18.5	50	...361429
KE M25-32 TH	7.0	34.0	20.5	25	...361436
KE M32-40 TH	8.0	42.0	23.5	25	...361443
KE M40-50 TH	8.0	52.0	30.0	10	...361450
KE M50-63 TH	9.0	65.0	32.5	10	...361467

METRIC CABLE GLANDS (METAL)

REDUCTIONS



KR-T

Material:
Nickel-coated brass

Type	Thread mm	Width mm	Height mm	Pcs	EAN code 6419410...
KR M16-12 T	6.0	20.0	8.5	100	...360767
KR M20-12T	6.5	24.0	9.0	100	...360774
KR M20-16 T	6.5	24.0	9.0	100	...360781
KR M25-16 T	7.0	30.0	10.0	100	...360798
KR M25-20T	7.0	30.0	10.0	100	...360804
KR M32-20 T	8.0	39.0	11.5	50	...360811
KR M32-25 T	8.0	39.0	11.5	50	...360828
KR M40-25T	9.0	50.0	12.5	25	...360835
KR M40-32 T	9.0	50.0	12.5	25	...360842
KR M50-32 T	10.0	57.0	14.0	10	...360859
KR M50-40 T	10.0	57.0	14.0	10	...360866
KR M63-40T	10.0	70.0	14.0	10	...360873
KR M63-50 T	10.0	70.0	14.0	10	...360880

ADAPTERS



PK-M

Material:
Nickel-coated brass

Type	Thread mm	Width mm	Height mm	Pcs	EAN code 6419410...
KR PK16 M20 T	6.5	24.0	9.5	100	...362211
KR PK21 M25 T	7.0	30.0	10.0	100	...362228
KR PK29 M25 T	8.0	39.0	11.5	100	...362235



M-PK

Material:
Nickel-coated brass

Type	Thread mm	Width mm	Height mm	Pcs	EAN code 6419410...
KR M16 PK7 TH	5.0	17.0	8.0	100	...360606
KR M20 PK9 TH	6.0	22.0	9.0	100	...360613
KR M25 PK11 TH	7.0	27.0	10.0	100	...360620
KR M25 PK13,5 TH	7.0	27.0	10.0	100	...360637
KR M32 PK13,5 TH	8.0	34.0	11.0	50	...360644
KR M32 PK16 TH	8.0	34.0	11.0	50	...360651
KR M32 PK21 TH	8.0	34.0	11.0	50	...360668
KR M40 PK16 TH	8.0	43.0	12.0	25	...360675
KR M40 PK21 TH	8.0	43.0	12.0	25	...360682
KR M40 PK29 TH	8.0	43.0	12.0	25	...360699
KR M50 PK21 TH	9.0	55.0	13.0	25	...360705
KR M50 PK29 TH	9.0	55.0	13.0	25	...360712
KR M50 PK36 TH	9.0	55.0	13.0	10	...360729
KR M63 PK29 TH	10.0	65.0	14.0	10	...360736
KR M63 PK36 TH	10.0	65.0	14.0	10	...360743
KR M63 PK42 TH	10.0	65.0	14.0	10	...360750

SCREW PLUGS



KST-TT

Material:
Nickel-coated brass

Type	Thread mm	Width mm	Height mm	Pcs	EAN code 6419410...
KST M12 TT	5.0	16.0	8.0	100	...361702
KST M16 TT	6.0	20.0	9.0	100	...361719
KST M20 TT	6.5	24.0	9.5	100	...361726
KST M25 TT	7.0	28.0	11.0	100	...361733
KST M32 TT	8.0	35.0	12.0	50	...361740
KST M40 TT	8.0	45.0	12.0	50	...361757
KST M50 TT	9.0	55.0	15.0	25	...361764
KST M63 TT	10.0	68.0	16.0	10	...361771

METRIC CABLE GLANDS (METAL)

ATEX SCREW PLUGS



KST-T EX

Material:
Nickel-coated brass
Ex I 2 GD EEx e
IP68

Type	Thread mm	Width mm	Height mm	Pcs	EAN code 6419410...
KST M20 T EX	6.5	24.0	9.5	100.0	...362242
KST M25 T EX	7.0	28.0	11.0	100.0	...362259
KST M32 T EX	8.0	35.0	12.0	50.0	...362266

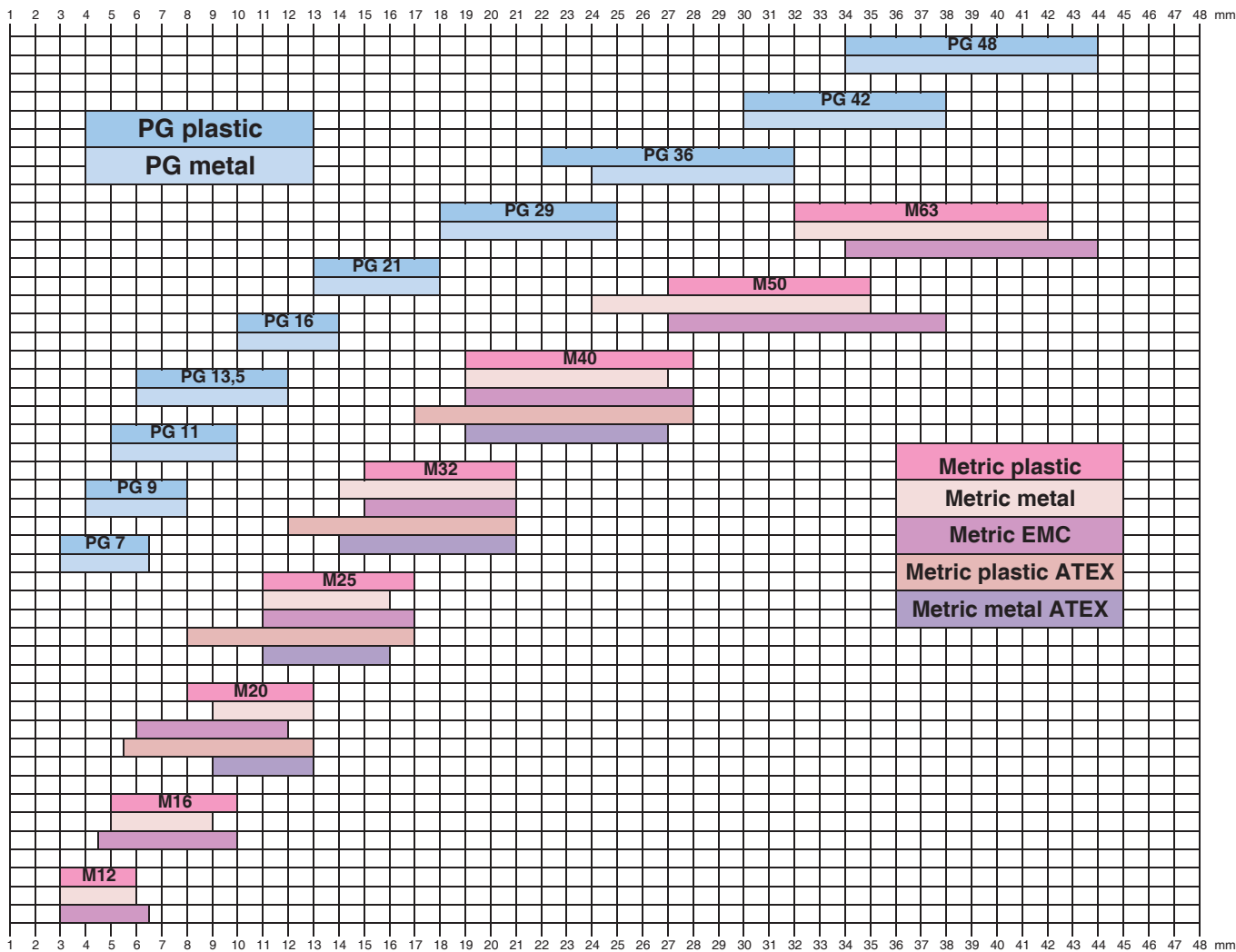
HEXAGONAL LOCKNUTS



KVM-T

Material:
Nickel-coated brass

Type	Width mm	Height mm	Pcs	EAN code 6419410...
KVM M12 T	15.0	2.8	100	...359914
KVM M16 T	19.0	2.8	100	...359921
KVM M20 T	24.0	3.0	100	...359938
KVM M25 T	30.0	3.5	100	...359945
KVM M32 T	36.0	4.0	100	...359952
KVM M40 T	46.0	5.0	50	...359969
KVM M50 T	60.0	5.0	50	...359976
KVM M63 T	70.0	6.0	50	...359983



CONDITIONS OF SALE

1. Validity

These conditions are subject to any special stipulations set out by KATKO Oy (hereinafter “Katko”) in the Agreement documents. The said conditions and stipulations shall prevail unless otherwise agreed in writing.

2. Specifications

All quotations for goods are made in accordance with Katko’s specifications at the time of order.

3. Price

Katko reserves the right to undertake reasonable price adjustments in case of fluctuation of cost with two (2) months notice (unless otherwise agreed in writing). The adjustment will be applied also to orders already received and confirmed, if the confirmed delivery time is longer than two (2) months. Any change of the prices shall be notified to the Distributor by registered letter, fax or e-mail.

4. Delivery

Unless otherwise agreed, deliveries shall be ex-works, Vantaa in accordance with Incoterms 2010. Where the Distributor fails to give Katko adequate instructions for dispatch, or otherwise delays delivery, Katko shall be entitled to store, dispose of or reallocate the goods without being responsible for any loss and at its option to charge for any costs arising and/or to cancel the order.

5. Force Major

Katko shall not be under any liability in respect of any delay in delivery arising from Force Major including but not limited to industrial or labour disputes, riots, mobs, fires, floods, wars, civil strife, embargoes, shortages of labour, materials, power, fuels, or means of transportation, whether affecting the Company or any subcontractor, or for circumstances caused by reasons of law, regulations or orders and lack of permission of any government or competent Authority. Any delay caused by such conditions shall be excused and Katko may claim extension of time for as long as such conditions continue. During the period in which delivery of the goods cannot be made for any above-mentioned reason the Distributor shall be entitled, after giving Katko written notice of its intention to do so, to purchase elsewhere at his own cost and risk and Katko shall not be obliged to make up deficiencies which have arisen as aforesaid. If a delay exceeds three months Katko and the Distributor may cancel the Agreement without incurring any liability therefor.

6. Payment

a. Unless otherwise agreed, the Distributor shall make full payment in Euro to Katko by confirmed and irrevocable documentary credit (L/C) payable at sight in Helsinki.

b. Katko charges interest for late payment, amounting to one and one half per cent (1 and 1/2%) per month for any unpaid amount from the date such payment is due.

7. Claims

No claim for shortage or damage will be considered unless received in writing by Katko within 14 days from receipt of the goods at their destination.

8. Guarantee

Katko shall at its option replace at its own cost any goods which on arrival, fail or are found defective, provided that the goods are returned to Katko’s designated factory freight prepaid, and Katko is informed

immediately, the failure or the defect becomes apparent and the same is shown to Katko’s reasonable satisfaction to be due to its faulty workmanship or defective materials.

No other warranties, express or implied, are made or will be deemed to have been made by Katko and Katko neither assumes nor authorises any other person to assume for it any other obligations or liabilities in connection with the distribution and sale of the products or otherwise. This condition shall replace and exclude all common law or statutory warranties, undertakings, statements, representations or conditions whether express or implied. Katko shall not be liable in contract or tort for any indirect, consequential or economic loss (whether relating to quality, despatch, and delivery or otherwise).

The Distributor will assume responsibility for and hold and save Katko harmless from all claims (including but not limited to claims resulting from acts of negligence on the part of the Distributor), liabilities, demand, costs or expenses or the like which may be incurred. The Distributor shall maintain during the term of this Agreement adequate insurance to cover its obligations under these conditions.

9. Copyright and confidentiality

The copyright in all Katko documents (including drawings and art work) furnished to the Distributor shall at all times remain vested in Katko and neither the documents nor their contents shall be used without Katko’s express written consent for any purpose other than that for which they were furnished.

10. Taxes, duties, fees, charges

The quoted price is exclusive of all taxes, duties and fees and charges of any kind in the country of destination. Such taxes, duties, fees and charges are payable by the Distributor.

11. Forbearance

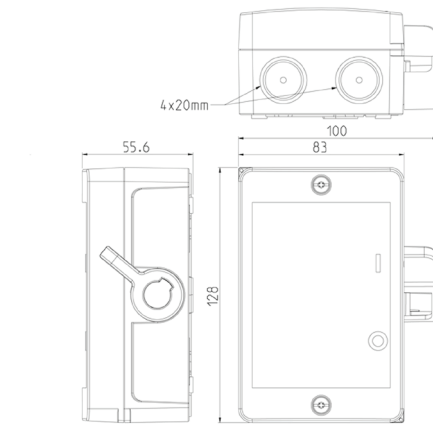
Katko’s rights shall not be affected or restricted by any indulgence or forbearance to the Distributor.

12. Orgalime S 2000

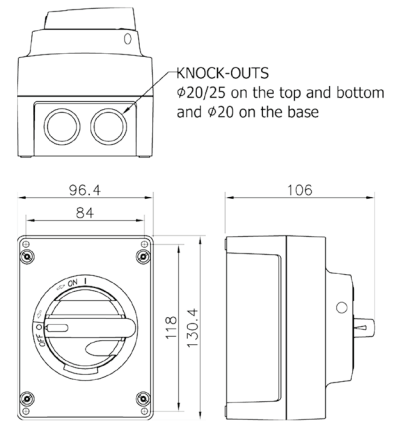
Orgalime S 2000 “General Conditions for the Supply of Mechanical, Electrical and Electronic products” (hereafter Orgalime S 2000) shall apply if not otherwise agreed in the Agreement documents or determined in these conditions. Therefore, should there be a conflict between these conditions and Orgalime S 2000, these conditions shall prevail.

DIMENSIONAL DRAWINGS OF ENCLOSURES

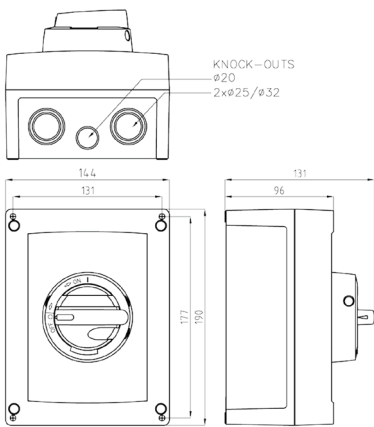
POLYCARBONATE ENCLOSURES



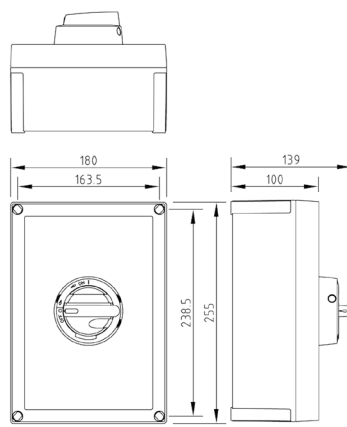
U1



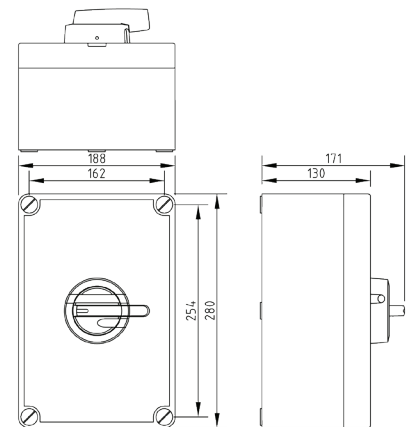
U2



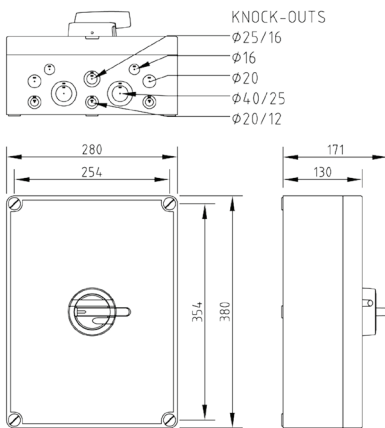
U3



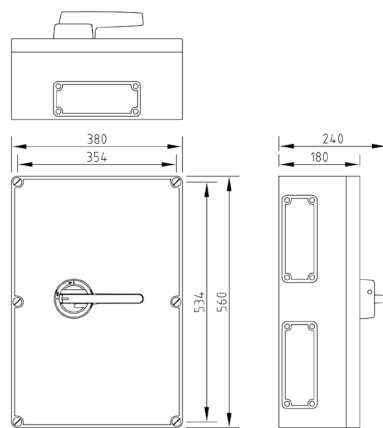
U4



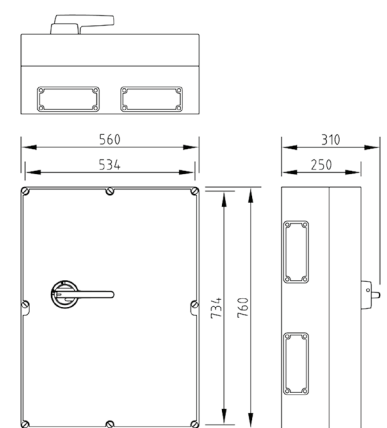
MF10



MF11UL

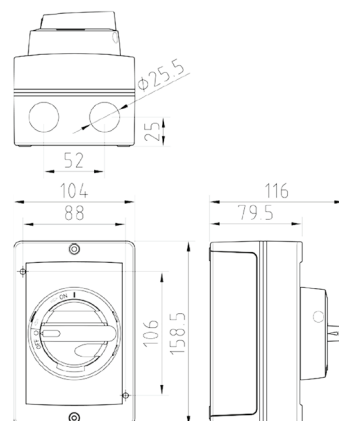


MF03

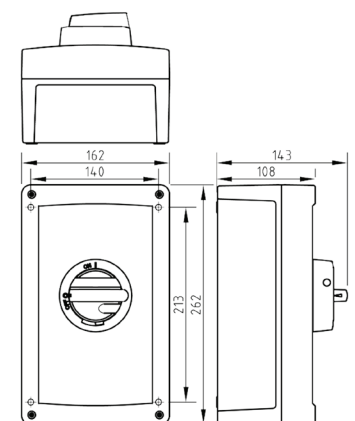


MF04

ALUMINIUM ENCLOSURES

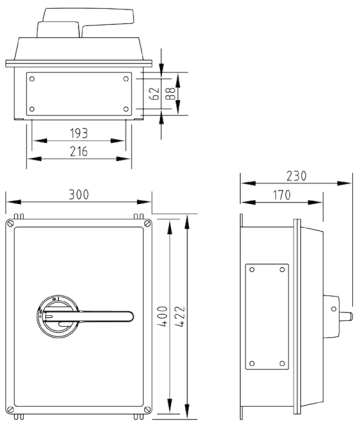


A2

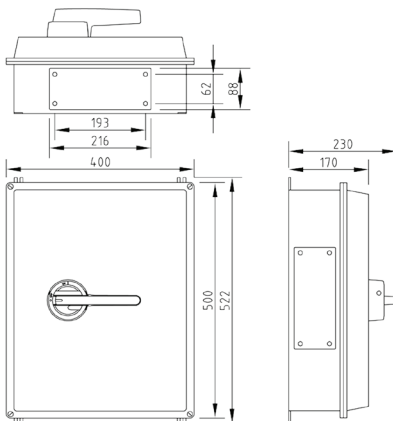


A3

DIMENSIONAL DRAWINGS OF ENCLOSURES

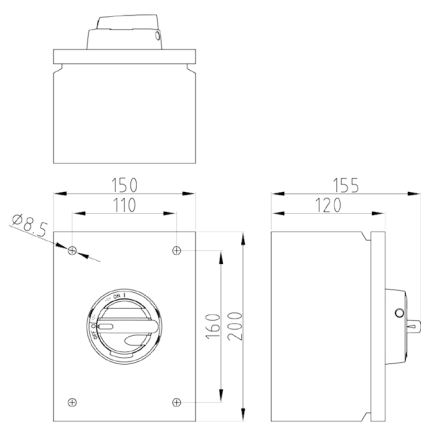


A4

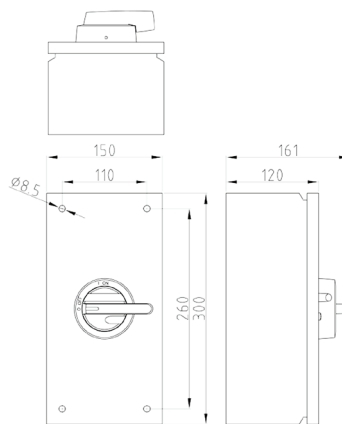


A5

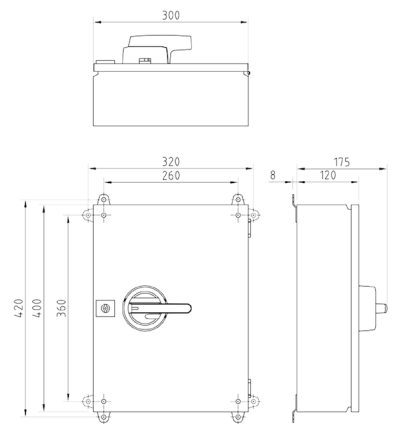
SHEET STEEL ENCLOSURES



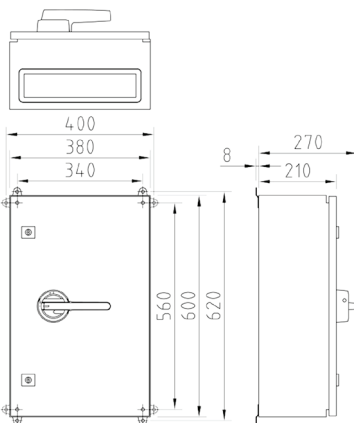
TR007



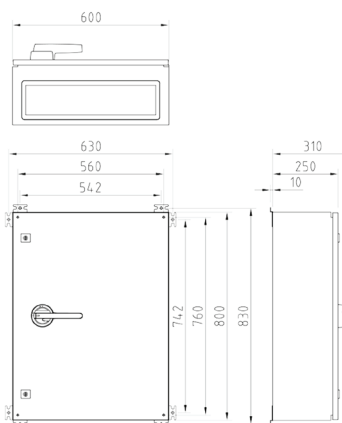
TR01



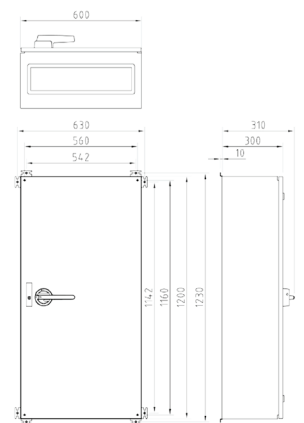
TR02



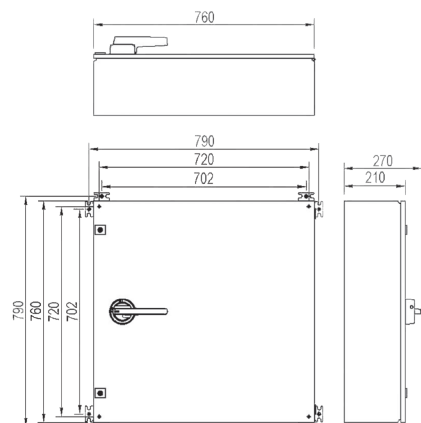
TR03



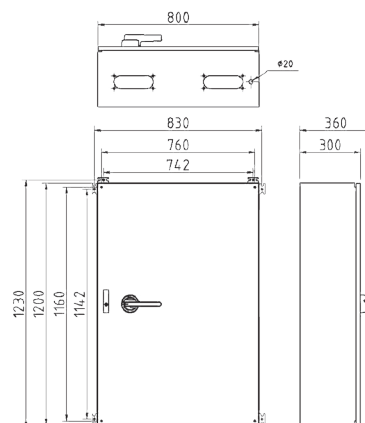
TR04



TR05



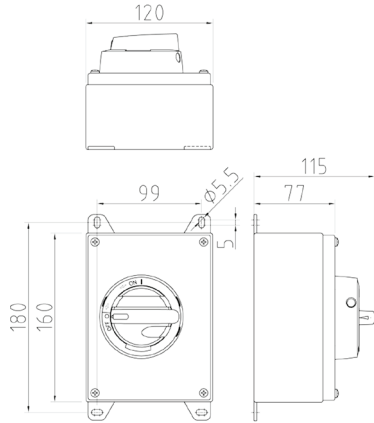
TR06



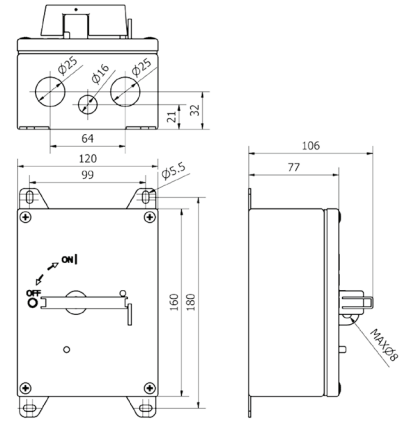
TR07

DIMENSIONAL DRAWINGS OF ENCLOSURES

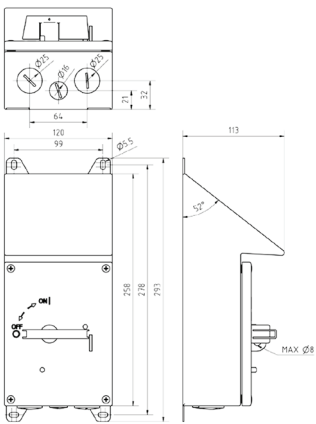
STAINLESS STEEL ENCLOSURES



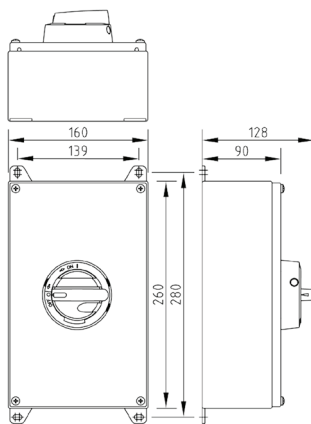
H23



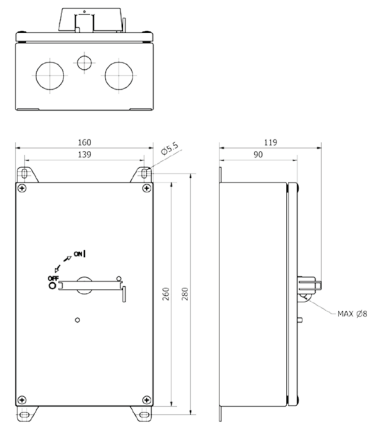
H23T



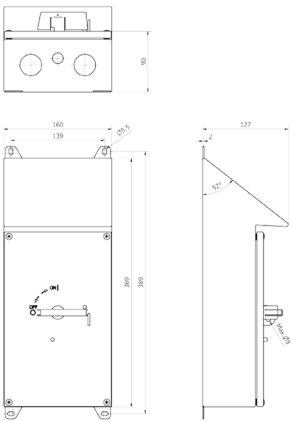
H24T



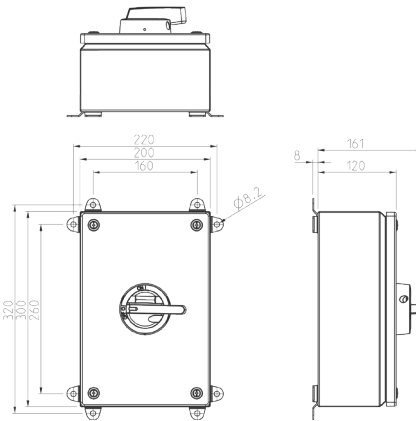
H32



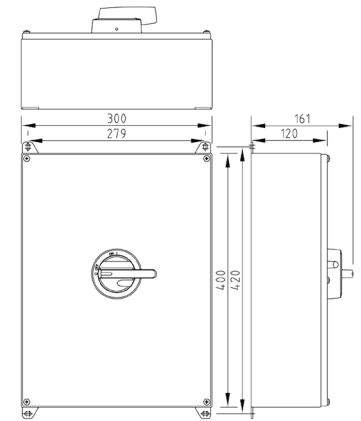
H32T



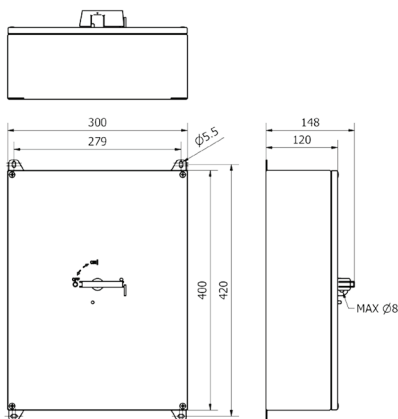
H34T



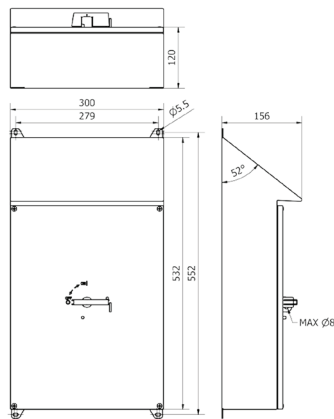
H01



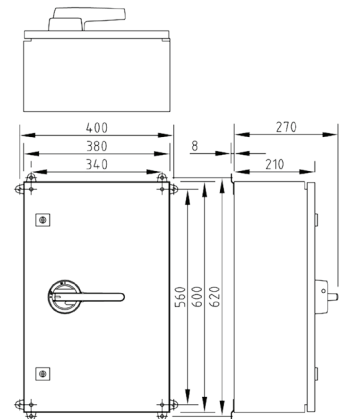
H02



H02T

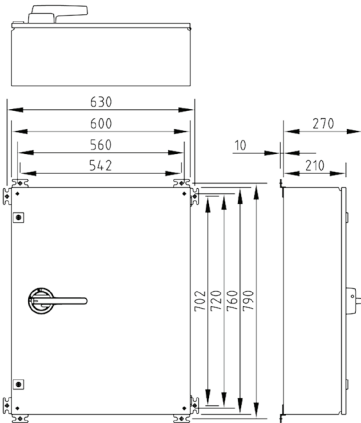


H02TR

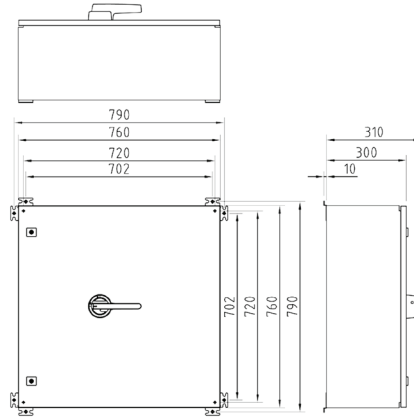


H03

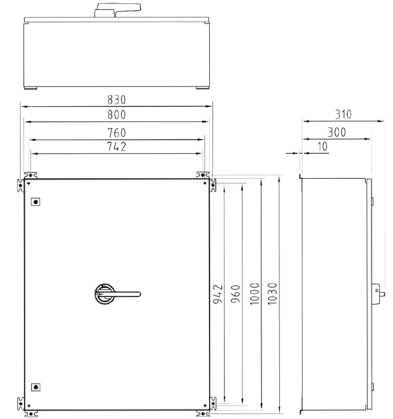
DIMENSIONAL DRAWINGS OF ENCLOSURES



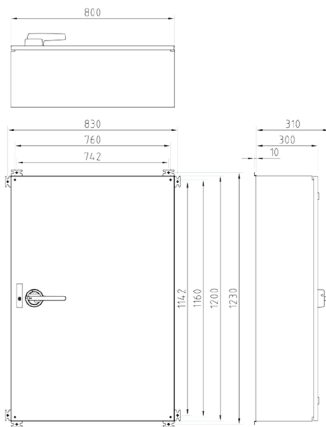
H04



H06



H08



H07



CONTACT

Ruusilantie 2
00390 Helsinki, Finland
Tel. +358 (0)9 849 600

www.katko.com
info@katko.com

Established in 1938, KATKO is a family-owned company that generates more than 60% of its export in over 40 countries around the world.