



# HT HI TECH POLYMERS OY

## MULTIGROMMETS





**HTC-0**



**IP65, FL21, CE**

**HTC-3**



**IP65, FL21, CE**

**HTC-16**



**IP54/30, FL21, CE**

**HTC-17**



**IP55, FL21, CE**

**HTC-25**



**IP65, FL21, CE**

**HTC-35**



**IP65, FL21, CE**

**HTC-50**



**IP65, FL21, CE**

**HTPC-16**



**IP30/IP34, FL21, CE**

**HTKC-25**



**IP65, FL21, CE**

**HTKC-28**



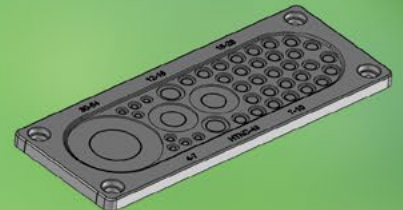
**IP65, FL21, CE**

**HTKC-36**



**IP65, FL21, CE**

**HTKC-43-B**



**COMING SOON**

**HTKC-43**



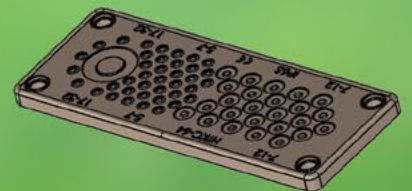
**IP65, FL21, CE**

**HTKC-50**



**COMING SOON**

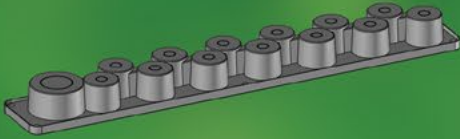
**HTKC-65**



**IP65, FL21, CE**



**HTP-14**



COMING SOON!

**HTP-15**



IP65, FL21, CE

**HTP-18**



IP65, FL21, CE

**HTP-31**



IP65, FL21, CE

**RIT-50**



IP65, SZ 2561.000, CE

**RIT-114**



IP65, CE

**KUPO M**



IP65, 70,5x61 mm, CE

**KUPO G**



IP65, 80x57 mm, CE

**KUPO L**



IP65, 125x110 mm, CE

**HIK-1**



IP65, FL21, CE

**HIK-2**



IP65, FL21, CE

**HIK-FL 13-3**



IP67, FL13, CE

**JTLC-1 10 mm**



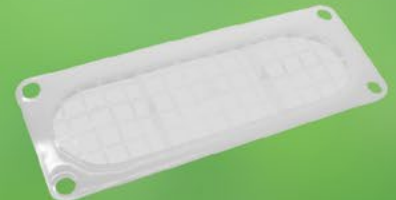
IP20, FL21, CE

**JTLC-1B 5 mm**



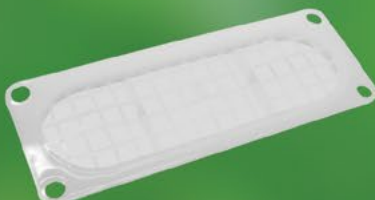
IP20, FL21, CE

**JTLC-1-U**



IP20, FL21, CE

**JTLC-1B-U**



IP20, FL21, CE

**HTX-1**



IP65, HOLE Ø86, CE

**HTX-23**



IP55, 216x126, CE

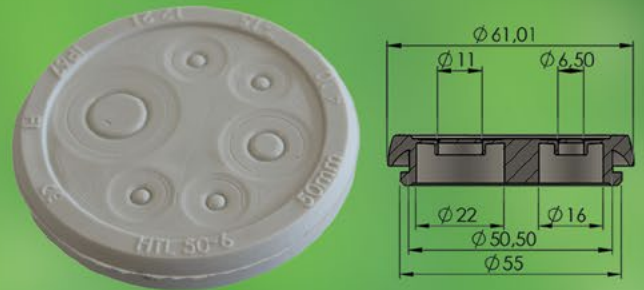


# HTL GROMMETS

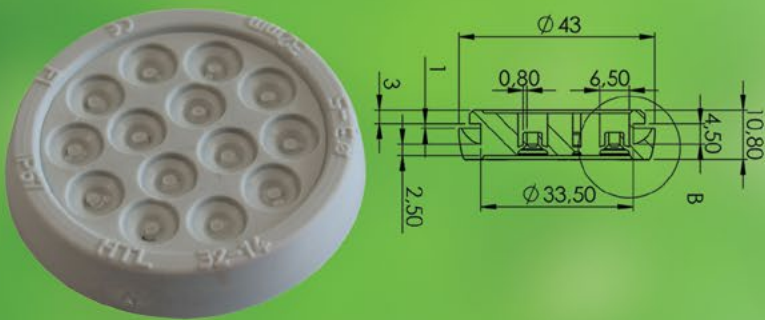
## HTL-28-6



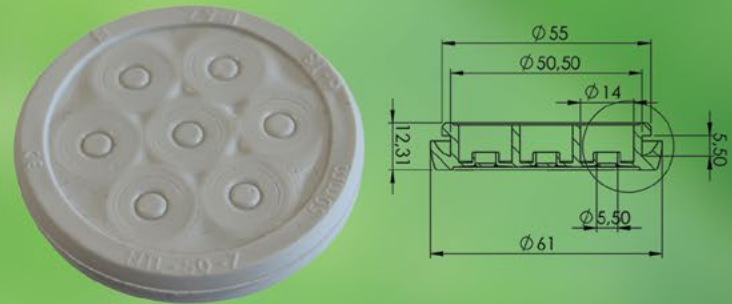
## HTL-50-6



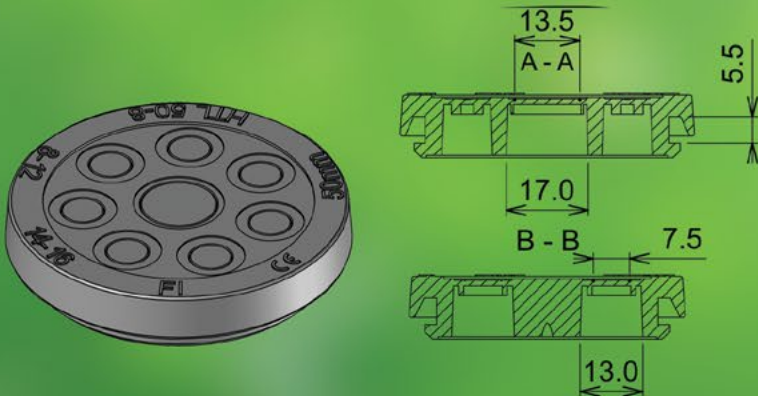
## HTL-32-14



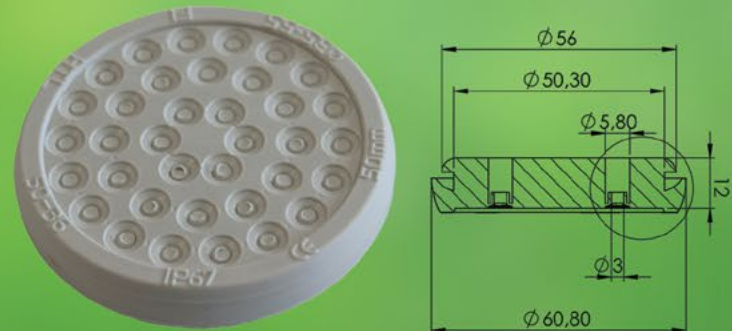
## HTL-50-7



## HTL-50-8 - COMING



## HTL-50-36





# HSS-GROMMETS

**HSS-M9**



**HSS-M25**



**HSS-M80**



**HSS-M12**



**HSS-M32**



**HSS-M100**



**HSS-M16**



**HSS-M40**



**HSS-M120**



**HSS-M20**



**HSS-M50**



**HSS-PG16**



**HSS-M60**

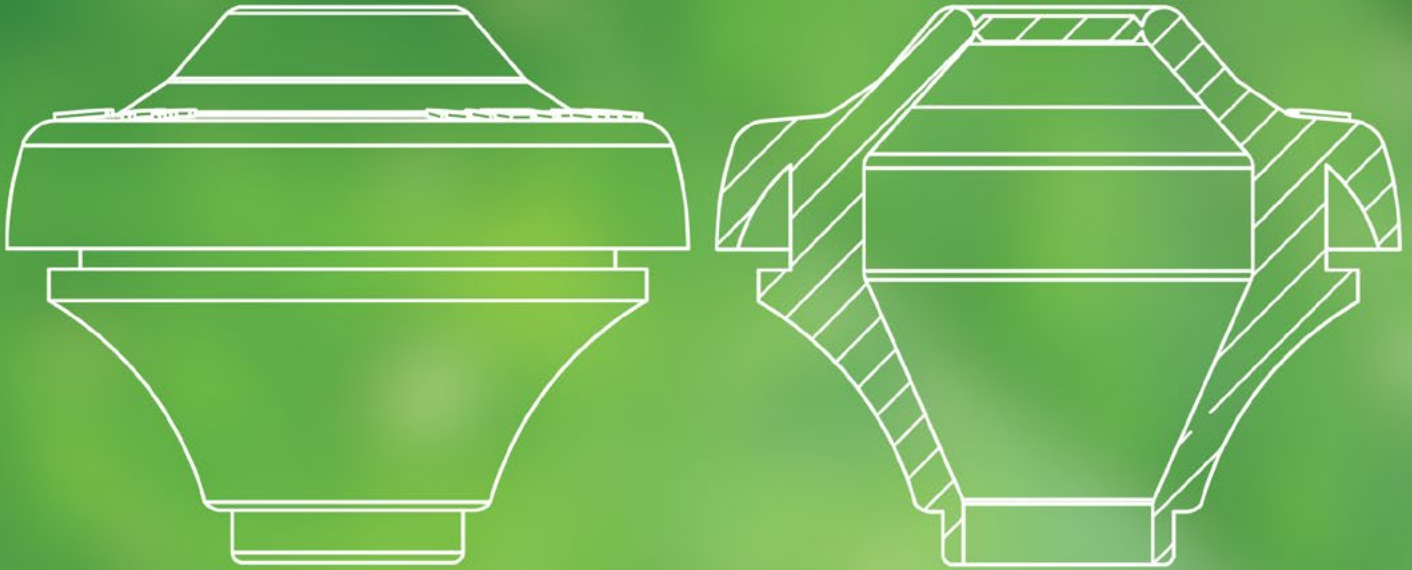


Code	D	D1	D2	H	B
HSS-M9	18 mm	9 mm	2 - 7 mm	9 mm	1,0 - 3,5 mm
HSS-M12	22 mm	12 mm	3 - 5 mm	11 mm	1,5 - 4,5 mm
HSS-M16	23,5 mm	16 mm	5 - 10 mm	11 mm	1,5 - 4,5 mm
HSS-M20	27,5 mm	20 mm	7 - 12 mm	11 mm	1,5 - 4,5 mm
HSS-PG16	32,5 mm	23 mm	10 - 14 mm	11 mm	1,0 - 4,5 mm
HSS-M25	32,5 mm	25 mm	8 - 15 mm	11 mm	1,5 - 4,5 mm
HSS-M32	44 mm	32 mm	14 - 20 mm	15 mm	1,5 - 4,5 mm
HSS-M40	53 mm	40 mm	20 - 28 mm	15 mm	1,5 - 4,5 mm
HSS-M50	65 mm	50 mm	27 - 35 mm	21 mm	1,5 - 5,5 mm
HSS-M60	79 mm	60 mm	24 - 45 mm	21 mm	1,5 - 5,5 mm
HSS-M80	100 mm	80 mm	40 - 60 mm	25 mm	1,5 - 5,5 mm
HSS-M100	122 mm	100 mm	52 - 90 mm	20 mm	1,5 - 6,0 mm
HSS-M120	142 mm	120 mm	70 - 100 mm	26 mm	1,5 - 6,0 mm



# MET-M

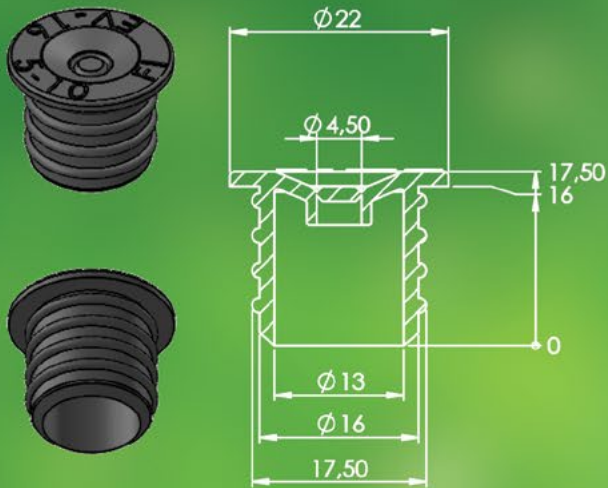
COMING



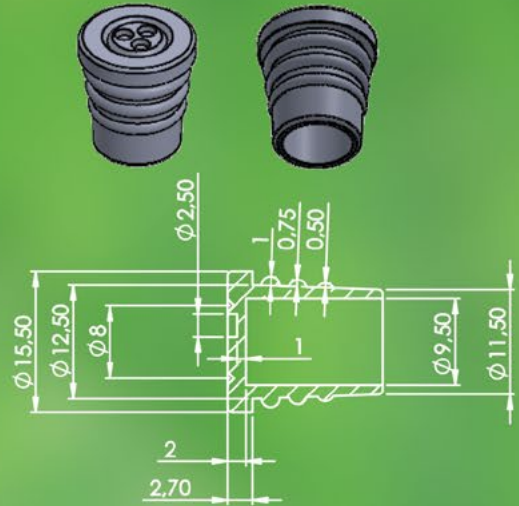
Code	D	D1
MET-M 3-5	12 mm	RAL7035
MET-M 3-5	12 mm	V-0
MET-M 5-7	16 mm	RAL7035
MET-M 5-7	16 mm	V-0
MET-M 7-10	20 mm	RAL7035
MET-M 7-10	20 mm	V-0
MET-M 10-14	25 mm	RAL7035
MET-M 10-14	25 mm	V-0
MET-M 14-20	32 mm	RAL7035
MET-M 14-20	32 mm	V-0
MET-M 20-26	40 mm	RAL7035
MET-M 20-26	40 mm	V-0
MET-M 26-35	50 mm	RAL7035
MET-M 26-35	50 mm	V-0



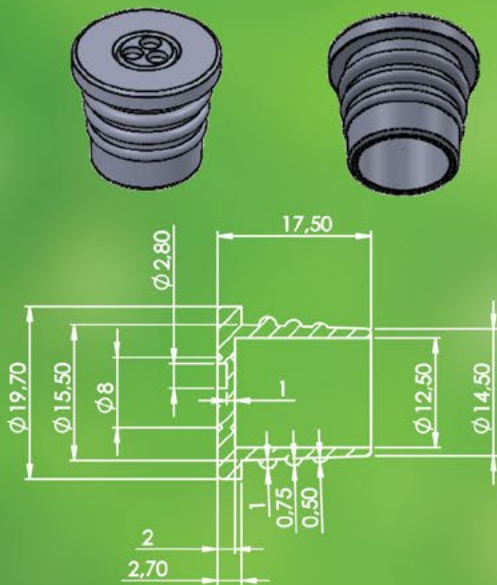
### EV-16



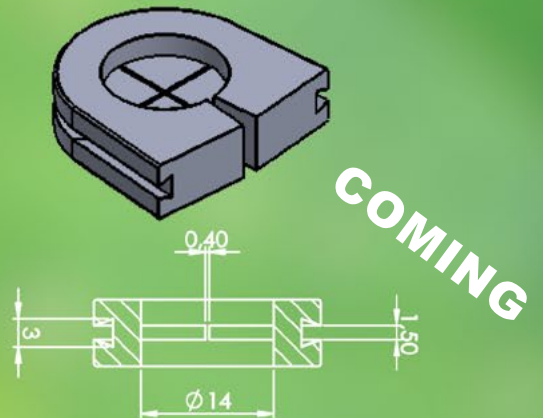
### SP-16



### SP-20

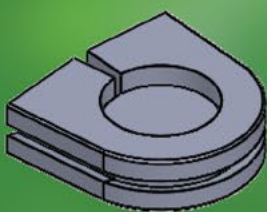


### SO 20/23-14B



COMING

### SO 20/23-14A with membrane



COMING





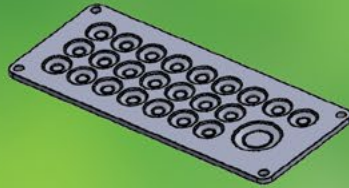
# HT HI TECH POLYMERS OY

## HEL-DP 24-17



IP65, CE

## HTK-24



IP20, 160x58 mm, CE

## HTK-26



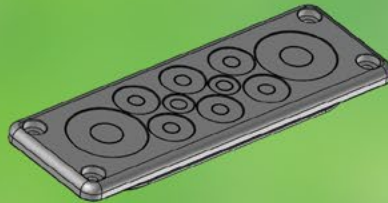
IP20, 160x58 mm, CE

## HTB-10



IP65, FL13, CE

## HTKB-10



IP54, FL13, CE - COMING

## SK 8-13



**FOR MORE INFORMATION  
PLEASE CHECK OUR WEBSITE  
[www.hitech-polymers.fi](http://www.hitech-polymers.fi)**



HT Hi Tech Polymers Oy  
Hallitie 1  
FI-32740 SASTAMALA  
FINLAND

VAT Number FI06768280

office@hitech-polymers.fi  
aulis.kulmala@hitech-polymers.fi  
timo.kulmala@hitech-polymers.fi  
satu.siltanen@hitech-polymers.fi  
mervi.makinen@hitech-polymers.fi  
mia.vormisto@hitech-polymers.fi

Tel. +358(0)3 8828 600  
Fax +358(0)3 5133 41  
[www.hitech-polymers.fi](http://www.hitech-polymers.fi)