



SAFETY SWITCHES & ISOLATORS

CONTENTS

ENCLOSED SWITCHES

| | |
|---|----|
| General Information | 6 |
| Technical Data for Safety Switches / Isolators 10-800 A | 10 |
| KEM Polycarbonate 10-630 A | 12 |
| KEM ABS 10-80 A | 14 |
| EMC 16-630 A | 15 |
| KET Sheet Steel 16-1600 A | 16 |
| KEA Aluminium 16-250 A | 18 |
| KER Stainless Steel 16-1600 A | 20 |
| KER Stainless Steel (R/RS) 16-160A | 22 |
| KER Stainless Steel IP69K 16-125A | 24 |
| KSM Side-operated 16-25A | 26 |
| Firerated Aluminium Enclosed 16-200 A | 27 |
| Side Operated Switches 16-40 A | 28 |
| ATEX Switches 16-160 A | 30 |
| Change-over Switches 16-160 A | 32 |
| Bypass Switch for Frequency Inverter 16-63 A | 34 |
| Motor Control Switches 16-40 A | 35 |

UL-LISTED PRODUCTS

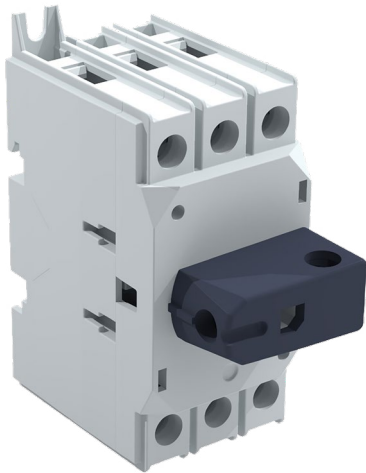
| | |
|---|----|
| UL98-Listed Enclosed Switches 60-100A | 36 |
| Polycarbonate Enclosed 16-150 A | 37 |
| Sheet Steel Enclosed 16-150 A | 38 |
| Aluminium Enclosed 16-125 A | 39 |
| Stainless Steel Enclosed 16-125 A | 40 |
| Stainless Steel Enclosed with angled top 16-125 A | 41 |
| EMC Protected Enclosed 16-150 A | 42 |
| Enclosed motor controllers ISF-series 16-40A | 43 |
| Enclosed motor controllers ISF-series with fixed auxiliary contacts | 44 |

ACCESSORIES 45

CONDITIONS OF SALE 46

DIMENSIONAL DRAWINGS OF ENCLOSURES

| | |
|----------------------------|----|
| Polycarbonate enclosures | 47 |
| Aluminium enclosures | 49 |
| Sheet Steel enclosures | 50 |
| Stainless Steel enclosures | 52 |



SWITCHES WITHOUT COMPROMISES.

Katko is a Finnish electrical industry company, specializing in designing, manufacturing, and delivering leading solutions for the electrical installation sector. At KATKO, we are pioneering high-quality electrical switches and other installation products. Our commitment to sustainability and installer-friendly solutions sets us apart in the industry. Supported by our extensive network of distribution partners and manufacturing facilities in Finland and Poland, we are able to ensure the availability of our solutions in over 70 countries around the globe.

ROBOTICS AND HANDWORK. THE BEST OF BOTH WORLDS.

We manufacture all of our safety switches, load break switches, fused switches and terminal blocks in our own production plants in Finland and Poland. A high level of automation is part of Katko's DNA that ensures a consistent quality level in our products. Katko's flexible and adaptive production philosophy even facilitates the manufacture of smaller batches in a competitive manner. Furthermore, we can provide our customers with more tailored products, and we are ready to do so. This is where Katko's motivated and professional staff come in. We employ approximately 120 people, two thirds of whom are in Finland.

Taking care of people and the environment are among the most important values of our family business. Our environmental thinking is guided by factors such as efficient raw material use, energy-efficient production and the quality and life-cycle of the end product. All of the materials used in our production processes are 100% recyclable. Sales office was opened in Dubai in 2007. Today, Katko products are sold in more than 60 countries on all continents.





FOOD INDUSTRY

Food processing. Dairy. Meat packing & processing. Beverage-making.

KATKO KER switches can withstand pressurised water, steam and chemical detergents in locations that require a high level of hygiene. Katko's selection provides you with a range of acid-proof products for most food and pharmaceutical industry applications.



CLEAN AIR

Air conditioning. Warm air.

Whether we are talking about cooling or heating, Katko provides an extensive selection of products suitable for demanding air conditioning from ORs to work safety for all industries. The UV protected plastics and aluminium enclosed switches can withstand demanding climate conditions and provide a reliable solution for applications ranging from air-based heat pumps to industrial cooling equipment.



HEAVY INDUSTRY

Metal Industry. Pulp. Paper.

Mechanical durability and the conditions of the most demanding places of use guide your safety switch choice, but we are not just talking about one product. Katko's strength lies in an extensive selection that covers the needs of an entire plant from 10 to 1600 A. With Katko, you get products that are quick to install and modified to suit your requirements. Save time in both construction projects and maintenance shutdowns.



HAZARDOUS AND DEMANDING AREAS

Mining. Oil. Gas. Fire. Marine.

Katko will switch electricity on and off in demanding and hazardous conditions as well. Our selection includes products such as ATEX certified switches for dusty environments, Rina and Lloyd's classified products for the maritime industry, and high temperature resistant solutions complying with the EN 12101-3 standard.



POWER DISTRIBUTION

Standard panel. Switchgear. Distribution boards.

Switchboard and switchgear manufacturers appreciate Katko's technician-friendly products and accessories, as well as the products' reliability and usability. Whether for a residential apartment, a property or an industrial plant, we provide an extensive selection of safety and fused switches, cable connectors and terminal blocks for 400–690 V low voltage grids.

KATKO'S EASY TO USE RANGE OF ENCLOSED SWITCHES

Polycarbonate (IP66) or ABS (IP65) enclosure. High resistance against UV and many chemicals. Available in grey/black or yellow/red.

5 cable entries: M20 & M25 mm as standard on the top and bottom and M20 on the base. Knock-out glands are easy to open.

Neutral & earth terminals Fitted on 3 pole switch. 1, 2 and 4P switches only earth.

Side-mounted auxiliary contact, 1NO or 1NC

Large cable terminals 1,5 - 16 mm² up to 40A

Door interlock with defeat mechanism.

Self-extinguishing material and excellent insulating properties.

Padlocking in OFF-position prevents access to the actuator.

Reliable position indication.

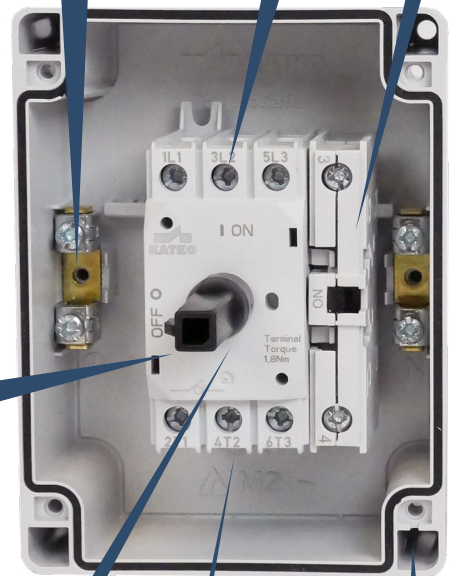
Provision for 3 padlocks.

Stainless steel screw fixing.

Fully rated Load Break Switch. Breaking capacity of 8xAC23 rating. Back up fuse rating to match motor manufacturers recommendation.

Enclosure mounting screws (4,5 mm in diameter) isolated from the inside housing keeping the integrity of the IP65/ IP66 rating.

'Plug in' switch. Enables unplugging the switch for easy cabling.



IP / NEMA CLASSIFICATIONS OF PROTECTION

IP CLASSIFICATIONS

Ingress protection class of enclosures is according to IEC 60529 given in form of IP classification, a two digit coding which is shown below.

NEMA/UL CLASSIFICATIONS

The National Electrical Manufacturers Association (NEMA) is a US Manufacturers organisation. NEMA performance criteria and test methods are used by Underwriters' Laboratories as guidelines for investigation and listing of electrical enclosures.

| FIRST NUMBER | | SECOND NUMBER | | NEMA |
|----------------------------------|--|----------------------------|---|---|
| Protection against solid objects | | Protection against liquids | | |
| 0 | No protection. | 0 | No protection. | 1 Indoor use primarily to provide a degree of protection against contact with the enclosed equipment and against a limited amount of falling dirt. |
| 1 | Protected against solid objects up to 50mm eg accidental touch by hands. | 1 | Protected against vertically falling drops of water. | 2 Indoor use to provide a degree of protection against limited amounts of falling water and dirt. |
| 2 | Protected against solid objects up to 12mm eg fingers. | 2 | Protected against direct sprays of water up to 15° from the vertical. | 3 Outdoor use to provide a degree of protection against windblown dust, rain and sleet; undamaged by the formation of ice on the enclosure. |
| 3 | Protected against solid objects up to 2,5mm eg (tools + small wires). | 3 | Protected against sprays up to 60° from the vertical. | 3R Outdoor use to provide a degree of protection against rain and sleet; undamaged by the formation of ice on the enclosure. |
| 4 | Protected against solid objects up to 1mm eg (tools + small wires). | 4 | Protected against water sprayed from all directions - limited ingress permitted. | 3S Outdoor use to provide a degree of protection against windblown dust, rain and sleet; external mechanisms remain operable while ice laden. |
| 5 | Protected against dust - limited ingress permitted (no harmful deposit). | 5 | Protected against low pressure jets of water from all directions - limited ingress permitted. | 4 Indoor or outdoor use to provide a degree of protection against splashing water, windblown dust and rain, hose directed water; undamaged by the formation of ice on the enclosure. |
| 6 | Totally protected against dust. | 6 | Protected against strong jets of water eg for use on shipdecks - limited ingress permitted. | 4X Indoor or outdoor use to provide a degree of protection against splashing water, windblown dust and rain, hose directed water; undamaged by the formation of ice on the enclosure. Resists corrosion. |
| | | 6NW | Protected against strong jets of water eg for use on shipdecks - no ingress permitted. | 6 Indoor or outdoor use to provide a degree of protection against the entry of water during temporary submersion at a limited depth; undamaged by the formation of ice on the enclosure. |
| | | 7 | Protected against the affects of immersion between 15cm and 1m. | 6P Indoor or outdoor use to provide a degree of protection against the entry of water during prolonged submersion at a limited depth. |
| | | 8 | Protected against long periods of immersion under pressure. | 11 Indoor use to provide by oil immersion a degree of protection of the enclosed equipment against the corrosive effects of corrosive liquids and gases. |
| | | 9K | Protected against close-range high pressure, high temperature spray downs. | 12/12K Indoor use to provide a degree of protection against dust, falling dirt and dripping noncorrosive liquids. |
| | | | | 13 Indoor use to provide a degree of protection against dust, and spraying of water oil and noncorrosive coolants. |

SWITCHES ACCORDING TO IEC 60 947-3.

SWITCH

A mechanical switching device capable of making, carrying and breaking currents under normal circuit conditions which may include specified operating overload conditions and also carrying for a specified time currents under specified abnormal circuit conditions such as those of short circuit. Note: A switch may be capable of making, but not breaking, short-circuit currents.

DISCONNECTOR

A mechanical switching device which, in the open position, complies with the requirements specified for the isolating function.

Disconnecter: (working definition) device without on-load making and breaking capacity.

SWITCH DISCONNECTOR / LOAD BREAK SWITCH

A switch that can make, carry, and break currents under normal circuit conditions, and when in the open position, complies with the isolation requirements of a disconnector.

UTILIZATION CATEGORY

| Utilization category | Use / Application |
|----------------------|--|
| AC-20A | Connecting and disconnecting under no-load. |
| AC-21A | Switching of resistive loads including moderate overloads |
| AC-22A | Switching of mixed loads, inductive and resistive loads including moderate overloads |
| AC-23A | Switching of motor loads or other highly inductive loads |

PROTECTION AGAINST OVERVOLTAGE

U_{imp} (Impulse withstand voltage) defines the device's use in abnormal network conditions with overvoltage due to lightning on overhead wires etc.

This characteristic also defines the device's dielectric quality. Overvoltage protection is ensured by choosing the equipment according to U_{imp} . The 4 impulse withstand categories of use at 400V/ 690V (IEC 60364-4-44) are:

| Category | U_{imp} | Applications |
|----------|-----------|--|
| 1 | 2,5 kV | pecially protected equipment |
| 2 | 4 kV | Portable tools, motors, etc. |
| 3 | 6 kV | Equipment placed in distribution networks |
| 4 | 8 kV | Equipment placed at the head of an installation. |

The U_{imp} rating for most of the Katko switches is 8kV.

INSTALLATION ENVIRONMENT TEMPERATURE

To assure the best of operation of KATKO switches the ambient air temperature of installation environment should be in the range of -40°C to + 60°C.

When the ambient temperatures exceed +40°C, the maximum load of the switch may have to be derated. Please contact KATKO for assistance.

CONFORMITY TO STANDARDS

Katko switches are designed to comply with both national and international standards.

-Switches tested acc. to IEC 60947

-AC 23A / 690V ratings

-50-100 kA R.M.S values

-CB certificates

-UL (US) and \ulcorner UL listed (Canada): UL 60947-4-1A

-Fuse holder acc. to IEC 60269 / UL 4248-1

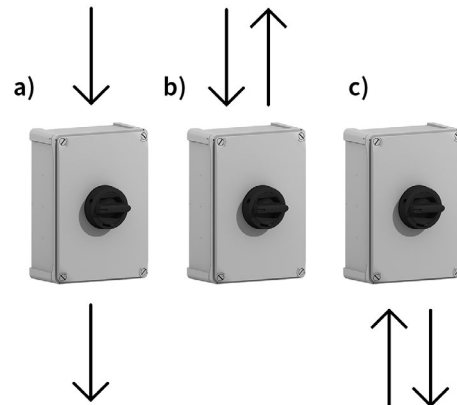
SAFETY SWITCHES / ISOLATORS 10 - 800 A

- Tested according to IEC 60947-3 and UL 60947-4-1A
- CB certificates
- VDE certificates
- Comply with ISO 9001 and ISO 14001
- AC-23A / 690V ratings
- Multiple break with silver rivets
- Door interlock
- Lockable handle
- Reliable position indication
- Standard grey/black and yellow/red series
grey/black= grey cover, black handle
yellow/red= yellow cover, red handle
- Standard models 3P, 4P, 6P and 8P
- 1P and 2P available

KATKO SWITCHES - FOR HEAVY DUTY

- Superior life span even in most demanding environments such as papermills, chemical plants, steelworks and food processing plants.

NOTE: When ordering switches with ampere rating 200A or higher, please define the intended cabling directions if other than a) shown in the picture below.



RECOMMENDED ENCLOSURE FOR DIFFERENT CABLE SIZES

| Polycarbonate Enclosures | Cable size mm2 | Sheet Steel Enclosures | Cable size mm2 | Aluminium Enclosures | Cable size mm2 | Stainless Steel Enclosures |
|--------------------------|----------------|------------------------|----------------|----------------------|----------------|----------------------------|
| M1, M2 | 3x2,5+2,5 | T3 | 3x2,5+2,5 | A2 | 3x2,5+2,5 | RA2 |
| M1, M2 | 3x6+6 | T3 | 3x6+6 | A2 | 3x6+6 | RA2 |
| M3 | 3x10+10 | T3 | 3x10+10 | A4 | 3x10+10 | RA4 |
| M3 | 3x16+16 | T3 | 3x16+16 | A4 | 3x16+16 | RA4 |
| M4 | 3x35+16 | T4 | 3x35+16 | A4 | 3x35+16 | RA5 |
| M4 | 3x50+25 | T5 | 3x50+25 | A5 | 3x50+25 | RA5 |
| MF01 | 3x70+35 | T5 | 3x70+35 | A5 | 3x70+35 | RA5 |
| MF03, MF04 | 3x95+50 | T6 | 3x95+50 | A6 | 3x95+50 | R6 |
| MF03, MF04 | 3x120+70 | T6 | 3x120+70 | A6 | 3x120+70 | R6 |
| MF03, MF04 | 3x185+95 | T6 | 3x185+95 | A6 | 3x185+95 | R6 |
| MF03, MF04 | 3x240+120 | T7/T10A | 3x240+120 | A6 | 3x240+120 | R7-R10 |

ALWAYS CHOOSE THE RIGHT SWITCH FOR THE RIGHT PURPOSE!

SAFETY SWITCHES / ISOLATORS 10-800 A TECHNICAL DATA

| SAFETY SWITCHES / ISOLATORS | | 10 A | 16 A | 25 A | 40 A | 63 A | 80 A | 100 A | 125 A | 160 A |
|---|----------|--------|--------|--------|--------|--------|--------|-------|-------|-------|
| Rated insulation voltage, U_i (V) | | 800 | 800 | 800 | 800 | 800 | 800 | 800 | 800 | 800 |
| Rated thermal current, I_{th} (A) | | 20 | 25 | 40 | 63 | 80 | 100 | 125 | 160 | 200 |
| Rated thermal current, I_{the} (A)*** | | 20 | 25 | 40 | 63 | 80 | 100 | 125 | 160 | 200 |
| Nominal values with cable size (mm ²)*** | | 2.5 | 4 | 10 | 16 | 25 | 35 | 70 | 70 | 95 |
| Rated operational current, I_e (A) | | | | | | | | | | |
| AC-21A | 400/415V | 10 | 25 | 40 | 40 | 80 | 100 | 125 | 160 | 160 |
| | 500V | 10 | 25 | 40 | 40 | 80 | 100 | 125 | 160 | 160 |
| | 690V | 10 | 25 | 40 | 40 | 80 | 100 | 125 | 160 | 160 |
| AC-22A | 400/415V | 10 | 16 | 25 | 40 | 63 | 80 | 100 | 125 | 160 |
| | 500V | 10 | 16 | 25 | 40 | 63 | 80 | 100 | 125 | 160 |
| | 690V | 10 | 16 | 25 | 40 | 63 | 80 | 100 | 125 | 160 |
| AC-23A | 400/415V | 10 | 16 | 25 | 40 | 40 | 63 | 100 | 125 | 160 |
| | 500V | 10 | 16 | 25 | 25 | 40 | 40 | 63 | 80 | 100 |
| | 690V | 10 | 16 | 25 | 25 | 40 | 40 | 63 | 80 | 100 |
| Rated operational power for 3-phase (1500 r.p.m.) squirrel cage induction motors (kW) | | | | | | | | | | |
| AC-23A | 400/415V | 5.5 | 7.5 | 11 | 22 | 22 | 30 | 55 | 55 | 90 |
| | 500V | 5.5 | 7.5 | 15 | 15 | 30 | 30 | 37 | 55 | 55 |
| | 690V | 7.5 | 11 | 22 | 22 | 37 | 37 | 55 | 75 | 90 |
| Rated fused short circuit current | | | | | | | | | | |
| Back-up fuse (A) | | 25 | 25 | 25 | 40 | 80 | 80 | 160 | 160 | 160 |
| R.M.S. value, I_k (kA) | | 50 | 50 | 50 | 25 | 50 | 50 | 65 | 65 | 65 |
| Peak value (kA) | | 3.8 | 3.8 | 3.8 | 4.5 | 8.2 | 8.2 | 15 | 15 | 15 |
| Impulse withstand voltage, U_{imp} (kV) | | 8 | 8 | 8 | 8 | 8 | 8 | 8 | 8 | 8 |
| Rated short circuit making capacity, I_{cm} (kA) | | | | | | | | | | |
| | 690V | 1 | 1 | 1 | 1 | 3.1 | 3.1 | 8 | 8 | 8 |
| Rated short time withstand current (1 s), I_{cw} (kA) | | | | | | | | | | |
| | 690V | 0,7 | 0,7 | 0,7 | 0,7 | 2.0 | 2.0 | 5 | 5 | 5 |
| Rated breaking capacity, I_{cn} (A) | | | | | | | | | | |
| AC-23A | 400/415V | 80 | 128 | 200 | 320 | 320 | 504 | 640 | 1000 | 1280 |
| | 500V | 80 | 128 | 200 | 200 | 320 | 320 | 504 | 640 | 800 |
| | 690V | 80 | 128 | 200 | 200 | 320 | 320 | 504 | 640 | 800 |
| Electrical endurance (operations) | | 3000 | 3000 | 3000 | 3000 | 3000 | 3000 | 2000 | 2000 | 2000 |
| Mechanical endurance (operations) | | 50000 | 50000 | 50000 | 50000 | 50000 | 50000 | 16000 | 16000 | 16000 |
| Terminals / Bolt size Cu (mm ²) | | 1.5-16 | 1.5-16 | 1.5-16 | 1.5-16 | 2.5-35 | 2.5-35 | 6-70 | 6-70 | 6-70 |
| Max terminal torque (Nm) | | 1.8 | 1.8 | 1.8 | 1.8 | 2.5 | 2.5 | 6 | 6 | 6 |
| 1) KEx x200 - KEx x250 2) KEx x200C - KEx x250C | | | | | | | | | | |
| *1000V | | | | | | | | | | |
| **50kA with 315A fuse | | | | | | | | | | |
| ***Tested in standard enclosure and cable size in this catalog | | | | | | | | | | |

SAFETY SWITCHES / ISOLATORS 10-800 A TECHNICAL DATA

| 200 A ¹⁾ | 200 A ²⁾ | 250 A ¹⁾ | 250 A ²⁾ | 315 A | 400 A | 630 A | 800 A | SAFETY SWITCHES / ISOLATORS | |
|--|---------------------|---------------------|---------------------|-------|-------|-------|-------|--|--------|
| 1000 | 1000 | 1000 | 1000 | 1000 | 1000 | 1000 | 1000 | Rated insulation voltage, U _i (V) | |
| 250 | 200 | 315 | 250 | 315 | 400 | 630 | 800 | Rated thermal current, I _{th} (A) | |
| 250 | 200 | 315 | 250 | 315 | 400 | 630 | 800 | Rated thermal current, I _{the} (A)*** | |
| 95 | 95 | 120 | 120 | 185 | 240 | 2x185 | 2x300 | Nominal values with cable size (mm ²)*** | |
| Rated operational current | | | | | | | | | |
| 200 | 200 | 250 | 250 | 315 | 400 | 630 | 800 | 400/415V | AC-21A |
| 200 | 200 | 250 | 250 | 315 | 400 | 630 | 800 | 500V | |
| 200 | 200 | 250 | 250 | 315 | 400 | 630 | 800 | 690V | |
| 200 | 200 | 250 | 250 | 315 | 400 | 630 | 800 | 400/415V | AC-22A |
| 200 | - | 250 | - | 315 | 400 | 630 | 800 | 500V | |
| 200 | - | 250 | - | 315 | 400 | 630 | 800 | 690V | |
| 200 | 200 | 250 | 250 | 315 | 400 | 630 | 800 | 400/415V | AC-23A |
| 200 | - | 250 | - | 315 | 400 | 630 | 800 | 500V | |
| 200 | - | 250 | - | 315 | 400 | 630 | 800 | 690V | |
| Rated operational power for 3-phase (1500 r.p.m.) squirrel cage induction motors (kW) | | | | | | | | | |
| 110 | 110 | 132 | 132 | 160 | 200 | 355 | 400 | 400/415V | AC-23A |
| 132 | - | 160 | - | 200 | 250 | 400 | 560 | 500V | |
| 160 | - | 250 | - | 315 | 355 | 630 | 800 | 690V | |
| Rated fused short circuit current | | | | | | | | | |
| 250 | 250 | 250 | 250 | 400 | 400 | 630 | 800 | Back-up fuse (A) | |
| 100** | 50 | 100** | 50 | 100 | 100 | 100 | 100 | R.M.S. value, I _k (kA) | |
| 26 | 22 | 26 | 22 | 42 | 42 | 76 | 76 | Peak value (kA) | |
| 12 | 8 | 12 | 8 | 12 | 12 | 12 | 12 | Impulse withstand voltage, U _{imp} (kV) | |
| Rated short circuit making capacity, I _{cm} (kA) | | | | | | | | | |
| 14 | 7 | 14 | 7 | 27,5 | 27,5 | 60 | 60 | 690V | |
| Rated short time withstand current (1 s), I _{sc} (kA) | | | | | | | | | |
| 8* | 6 | 8* | 6 | 13,5* | 13,5* | 28* | 28* | 690V | |
| Rated breaking capacity, I _{cn} (A) | | | | | | | | | |
| 1600 | 1600 | 2000 | 2000 | 2520 | 3200 | 5040 | 6400 | 400/415V | AC-23A |
| 1600 | - | 2000 | - | 2520 | 3200 | 5040 | 6400 | 500V | |
| 1600 | - | 2000 | - | 2520 | 3200 | 5040 | 6400 | 690V | |
| 2000 | 2000 | 2000 | 2000 | 2000 | 2000 | 2000 | 2000 | Electrical endurance (operations) | |
| 16000 | 16000 | 16000 | 16000 | 10000 | 10000 | 10000 | 10000 | Mechanical endurance (operations) | |
| M8 | M8 | M8 | M8 | M10 | M10 | M12 | M12 | Terminals / Bolt size Cu (mm ²) | |
| 15-22 | 15-22 | 15-22 | 15-22 | 30-44 | 30-44 | 50-75 | 50-75 | Max terminal torque (Nm) | |
| <p>*1000V **50kA with 315A fuse ***Tested in standard enclosure and cable size in this catalog</p> | | | | | | | | | |

POLYCARBONATE ENCLOSED SAFETY SWITCHES / ISOLATORS 10-630 A



- Self-extinguishing material
- Door interlock with defeat mechanism
- Wide operating temperature range
- Excellent insulating properties
- Good resistance against UV and many chemicals
- Padlockable
- Tested according to IEC 60947-3

| Enclosure type | Width mm | Height mm | Depth mm | Material | IP rating |
|----------------|----------|-----------|----------|-------------------|-----------|
| M2 | 96,4 | 130,4 | 106 | Polycarbonate, PC | IP66 |
| M3 | 144 | 190 | 96 | Polycarbonate, PC | IP66 |
| M4 | 180 | 255 | 100 | Polycarbonate, PC | IP66 |
| MF10 | 188 | 280 | 130 | Polycarbonate, PC | IP65 |
| MF02 | 560 | 280 | 130 | Polycarbonate, PC | IP65 |
| MF01 | 280 | 380 | 130 | Polycarbonate, PC | IP65 |
| MF11 | 280 | 380 | 130 | Polycarbonate, PC | IP65 |
| MF11UL | 280 | 380 | 130 | Polycarbonate, PC | IP65 |
| MF03 | 380 | 560 | 180 | Polycarbonate, PC | IP65 |
| MF04 | 560 | 760 | 250 | Polycarbonate, PC | IP65 |

DISCOVER MORE



Dimensional drawings:

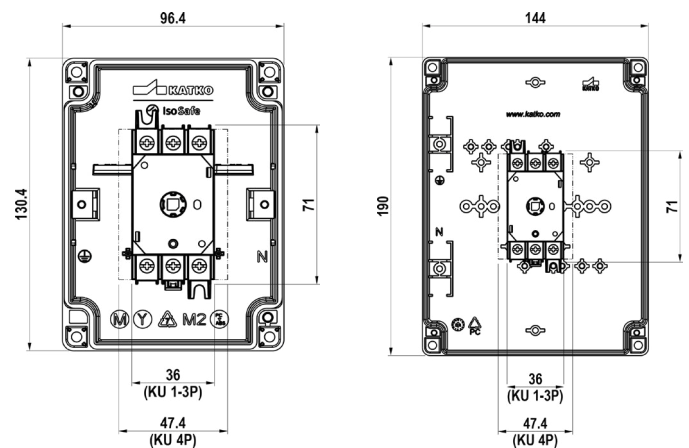
Dimensional drawings section of this catalogue

3D STEP and DWG files available:

www.katko.com/3d-models

Accessories available:

www.katko.com/products/accessories/



M2 ENCLOSURE

M3 ENCLOSURE

POLYCARBONATE ENCLOSED SAFETY SWITCHES / ISOLATORS 10-630 A

| Type | | AC-21A | 400 V | | AC-22A | 400 V | | AC-23A | 400 V | | AC-23A | 690 V | EAN code | | Enclosure | Weight kg | |
|----------------|-------------------|--------|--------|--------|--------|--------|--------|----------------|---------------|--------|--------|--------|------------|------------|------------|-----------|--|
| | | | 415 V | 690 V | | 415 V | 690 V | | 415 V | 690 V | | | Grey/black | Yellow/red | | | |
| Grey/black | Yellow/red | Ie / A | | Ie / A | | Ie / A | | P / kW | | Ie / A | | P / kW | | Grey/black | Yellow/red | | |
| 3 poles | | | | | | | | | | | | | | | | | |
| KEM 310 M2 | KEM 310 YR M2 | 10 A | 10 A | 10 A | 5.5 kW | 10 A | 7.5 kW | 6419410270585 | 6419410270592 | M2 | 0.4 | | | | | | |
| KEM 316 M2 | KEM 316 YR M2 | 25 A | 16 A | 16 A | 7.5 kW | 16 A | 11 kW | 6419410440339 | 6419410444535 | M2 | 0.4 | | | | | | |
| KEM 325 M2 | KEM 325 YR M2 | 40 A | 25 A | 25 A | 11 kW | 25 A | 22 kW | 6419410444047 | 6419410444603 | M2 | 0.4 | | | | | | |
| KEM 340 M2 | KEM 340 YR M2 | 40 A | 40 A | 40 A | 22 kW | 25 A | 22 kW | 6419410440476 | 6419410444672 | M2 | 0.4 | | | | | | |
| KEM 316NO M2 | KEM 316NO YR M2 | 25 A | 16 A | 16 A | 7.5 kW | 16 A | 11 kW | 64194104448731 | 6419410452936 | M2 | 0.4 | | | | | | |
| KEM 325NO M2 | KEM 325NO YR M2 | 40 A | 25 A | 25 A | 11 kW | 25 A | 22 kW | 6419410448809 | 6419410453001 | M2 | 0.4 | | | | | | |
| KEM 340NO M2 | KEM 340NO YR M2 | 40 A | 40 A | 40 A | 22 kW | 25 A | 22 kW | 6419410448878 | 6419410453070 | M2 | 0.4 | | | | | | |
| KEM 316 M3 | KEM 316 YR M3 | 25 A | 16 A | 16 A | 7.5 kW | 16 A | 11 kW | 6419410441176 | 6419410445372 | M3 | 0.7 | | | | | | |
| KEM 325 M3 | KEM 325 YR M3 | 40 A | 25 A | 25 A | 11 kW | 25 A | 22 kW | 6419410441244 | 6419410445440 | M3 | 0.7 | | | | | | |
| KEM 340 M3 | KEM 340 YR M3 | 40 A | 40 A | 40 A | 22 kW | 25 A | 22 kW | 6419410441312 | 6419410445518 | M3 | 0.7 | | | | | | |
| KEM 316NO M3 | KEM 316NO YR M3 | 25 A | 16 A | 16 A | 7.5 kW | 16 A | 11 kW | 6419410449578 | 6419410453773 | M3 | 0.8 | | | | | | |
| KEM 325NO M3 | KEM 325NO YR M3 | 40 A | 25 A | 25 A | 11 kW | 25 A | 22 kW | 6419410449646 | 6419410453841 | M3 | 0.8 | | | | | | |
| KEM 340NO M3 | KEM 340NO YR M3 | 40 A | 40 A | 40 A | 22 kW | 25 A | 22 kW | 6419410449714 | 6419410453919 | M3 | 0.8 | | | | | | |
| KEM 363 M3 | KEM 363 YR M3 | 80 A | 63 A | 40 A | 22 kW | 40 A | 37 kW | 6419410399637 | 6419410399644 | M3 | 0.7 | | | | | | |
| KEM 380 M3 | KEM 380 YR M3 | 100 A | 80 A | 63 A | 30 kW | 40 A | 37 kW | 6419410399651 | 6419410399668 | M3 | 0.7 | | | | | | |
| KEM 3100 M4 | KEM 3100 YR M4 | 125 A | 100 A | 100 A | 55 kW | 63 A | 55 kW | 6419410315101 | 6419410315149 | M4 | 1.5 | | | | | | |
| KEM 3125 M4 | KEM 3125 YR M4 | 160 A | 125 A | 125 A | 55 kW | 80 A | 75 kW | 6419410481721 | 6419410481738 | M4 | 1.5 | | | | | | |
| KEM 3160 MF11 | KEM 3160 YR MF11 | 160 A | 160 A | 160 A | 90 kW | 100 A | 90 kW | 6419410323403 | 6419410319505 | MF11 | 3.1 | | | | | | |
| KEM 3200 MF03 | KEM 3200 YR MF03 | 200 A | 200 A | 200 A | 110 kW | 200 A | 160 kW | 6419410323809 | 6419410319826 | MF03 | 8.4 | | | | | | |
| KEM 3200C MF11 | KEM 3200C YR MF11 | 200 A | 200 A* | 200 A | 110 kW | - | - | 6419410323816 | 6419410323823 | MF11 | 4.0 | | | | | | |
| KEM 3250 MF03 | KEM 3250 YR MF03 | 250 A | 250 A | 250 A | 132 kW | 250 A | 250 kW | 6419410324202 | 6419410319888 | MF03 | 8.4 | | | | | | |
| KEM 3250C MF11 | KEM 3250C YR MF11 | 250 A | 250 A* | 250 A | 132 kW | - | - | 6419410324219 | 6419410324226 | MF11 | 4.0 | | | | | | |
| KEM 3315 MF03 | KEM 3315 YR MF03 | 315 A | 315 A | 315 A | 160 kW | 315 A | 315 kW | 6419410324608 | 6419410319949 | MF03 | 9.3 | | | | | | |
| KEM 3400 MF03 | KEM 3400 YR MF03 | 400 A | 400 A | 400 A | 200 kW | 400 A | 355 kW | 6419410325001 | 6419410320006 | MF03 | 9.3 | | | | | | |
| KEM 3630 MF04 | KEM 3630 YR MF04 | 630 A | 630 A | 630 A | 355 kW | 630 A | 630 kW | 6419410325407 | 6419410320068 | MF04 | 15.3 | | | | | | |
| 4 poles | | | | | | | | | | | | | | | | | |
| KEM 410 M2 | KEM 410 YR M2 | 10 A | 10 A | 10 A | 5.5 kW | 10 A | 7.5 kW | 6419410270608 | 6419410270615 | M2 | 0.4 | | | | | | |
| KEM 416 M2 | KEM 416 YR M2 | 25 A | 16 A | 16 A | 7.5 kW | 16 A | 11 kW | 6419410440544 | 6419410444740 | M2 | 0.4 | | | | | | |
| KEM 425 M2 | KEM 425 YR M2 | 40 A | 25 A | 25 A | 11 kW | 25 A | 22 kW | 6419410440612 | 6419410444818 | M2 | 0.4 | | | | | | |
| KEM 440 M2 | KEM 440 YR M2 | 40 A | 40 A | 40 A | 22 kW | 25 A | 22 kW | 6419410440681 | 6419410444887 | M2 | 0.4 | | | | | | |
| KEM 416 1NO M2 | KEM 416 1NOYR M2 | 25 A | 16 A | 16 A | 7.5 kW | 16 A | 11 kW | 6419410448946 | 6419410453148 | M2 | 0.4 | | | | | | |
| KEM 425 1NO M2 | KEM 425 1NOYR M2 | 40 A | 25 A | 25 A | 11 kW | 25 A | 22 kW | 6419410449011 | 6419410453216 | M2 | 0.4 | | | | | | |
| KEM 440 1NO M2 | KEM 440 1NOYR M2 | 40 A | 40 A | 40 A | 22 kW | 25 A | 22 kW | 6419410449080 | 6419410453285 | M2 | 0.4 | | | | | | |
| KEM 416 M3 | KEM 416 YR M3 | 25 A | 16 A | 16 A | 7.5 kW | 16 A | 11 kW | 6419410441381 | 6419410445587 | M3 | 0.7 | | | | | | |
| KEM 425 M3 | KEM 425 YR M3 | 40 A | 25 A | 25 A | 11 kW | 25 A | 22 kW | 6419410441459 | 6419410445655 | M3 | 0.7 | | | | | | |
| KEM 440 M3 | KEM 440 YR M3 | 40 A | 40 A | 40 A | 22 kW | 25 A | 22 kW | 6419410441527 | 6419410445723 | M3 | 0.7 | | | | | | |
| KEM 416 1NO M3 | KEM 416 1NOYR M3 | 25 A | 16 A | 16 A | 7.5 kW | 16 A | 11 kW | 6419410449783 | 6419410453988 | M3 | 0.8 | | | | | | |
| KEM 425 1NO M3 | KEM 425 1NOYR M3 | 40 A | 25 A | 25 A | 11 kW | 25 A | 22 kW | 6419410449851 | 6419410454053 | M3 | 0.8 | | | | | | |
| KEM 440 1NO M3 | KEM 440 1NOYR M3 | 40 A | 40 A | 40 A | 22 kW | 25 A | 22 kW | 6419410449929 | 6419410454121 | M2 | 0.8 | | | | | | |
| KEM 463 M3 | KEM 463 YR M3 | 80 A | 63 A | 40 A | 22 kW | 40 A | 37 kW | 6419410399675 | 6419410399682 | M3 | 1.0 | | | | | | |
| KEM 480 M3 | KEM 480 YR M3 | 100 A | 80 A | 63 A | 30 kW | 40 A | 37 kW | 6419410399699 | 6419410399705 | M3 | 1.0 | | | | | | |
| KEM 4100 M4 | KEM 4100 YR M4 | 125 A | 100 A | 100 A | 55 kW | 63 A | 55 kW | 6419410315118 | 6419410315156 | M4 | 1.5 | | | | | | |
| KEM 4125 M4 | KEM 4125 YR M4 | 160 A | 125 A | 125 A | 55 kW | 80 A | 75 kW | 6419410323120 | 6419410323144 | M4 | 1.5 | | | | | | |
| KEM 4160 MF11 | KEM 4160 YR MF11 | 160 A | 160 A | 160 A | 90 kW | 100 A | 90 kW | 6419410323502 | 6419410319604 | MF11 | 3.0 | | | | | | |
| KEM 4200 MF03 | KEM 4200 YR MF03 | 200 A | 200 A | 200 A | 110 kW | 200 A | 160 kW | 6419410323908 | 6419410323922 | MF03 | 8.2 | | | | | | |
| KEM 4200C MF11 | KEM 4200C YR MF11 | 200 A | 200 A* | 200 A | 110 kW | - | - | 6419410323915 | 6419410323939 | MF11 | 4.0 | | | | | | |
| KEM 4250 MF03 | KEM 4250 YR MF03 | 250 A | 250 A | 250 A | 132 kW | 250 A | 250 kW | 6419410324325 | 6419410324349 | MF03 | 8.2 | | | | | | |
| KEM 4250C MF11 | KEM 4250C YR MF11 | 250 A | 250 A* | 250 A | 132 kW | - | - | 6419410324332 | 6419410324356 | MF11 | 4.0 | | | | | | |
| KEM 4315 MF03 | KEM 4315 YR MF03 | 315 A | 315 A | 315 A | 160 kW | 315 A | 315 kW | 6419410324707 | 6419410324721 | MF03 | 9.0 | | | | | | |
| KEM 4400 MF03 | KEM 4400 YR MF03 | 400 A | 400 A | 400 A | 200 kW | 400 A | 355 kW | 6419410325100 | 6419410325124 | MF03 | 9.0 | | | | | | |
| KEM 4630 MF04 | KEM 4630 YR MF04 | 630 A | 630 A | 630 A | 355 kW | 630 A | 630 kW | 6419410327616 | 6419410327623 | MF04 | 15.1 | | | | | | |
| 6 poles | | | | | | | | | | | | | | | | | |
| KEM 616 M3 | KEM 616 YR M3 | 25 A | 16 A | 16 A | 7.5 kW | 16 A | 11 kW | 6419410345436 | 6419410345443 | M3 | 0.8 | | | | | | |
| KEM 625 M3 | KEM 625 YR M3 | 40 A | 25 A | 25 A | 11 kW | 25 A | 22 kW | 6419410345450 | 6419410345467 | M3 | 0.8 | | | | | | |
| KEM 640 M3 | KEM 640 YR M3 | 40 A | 40 A | 40 A | 22 kW | 25 A | 22 kW | 6419410345474 | 6419410345481 | M3 | 0.8 | | | | | | |
| KEM 663 M3 | KEM 663 YR M3 | 80 A | 63 A | 40 A | 22 kW | 40 A | 37 kW | 6419410399774 | 6419410399781 | M3 | 0.8 | | | | | | |
| KEM 680 M3 | KEM 680 YR M3 | 100 A | 80 A | 63 A | 30 kW | 40 A | 37 kW | 6419410399798 | 6419410399804 | M3 | 0.8 | | | | | | |
| KEM 6100 MF11 | KEM 6100 YR MF11 | 125 A | 100 A | 100 A | 55 kW | 63 A | 55 kW | 6419410315125 | 6419410315163 | MF11 | 3.2 | | | | | | |
| KEM 6125 MF11 | KEM 6125 YR MF11 | 160 A | 125 A | 125 A | 55 kW | 80 A | 75 kW | 6419410323205 | 6419410319307 | MF11 | 3.3 | | | | | | |
| KEM 6160 MF11 | KEM 6160 YR MF11 | 160 A | 160 A | 160 A | 90 kW | 100 A | 90 kW | 6419410323601 | 6419410319703 | MF11 | 3.3 | | | | | | |
| 8 poles | | | | | | | | | | | | | | | | | |
| KEM 816 M3 | KEM 816 YR M3 | 25 A | 16 A | 16 A | 7.5 kW | 16 A | 11 kW | 6419410345498 | 6419410345511 | M3 | 0.8 | | | | | | |
| KEM 825 M3 | KEM 825 YR M3 | 40 A | 25 A | 25 A | 11 kW | 25 A | 22 kW | 6419410345528 | 6419410345535 | M3 | 0.8 | | | | | | |
| KEM 840 M3 | KEM 840 YR M3 | 40 A | 40 A | 40 A | 22 kW | 25 A | 22 kW | 6419410345542 | 6419410345559 | M3 | 0.8 | | | | | | |
| KEM 863 M3 | KEM 863 YR M3 | 80 A | 63 A | 40 A | 22 kW | 40 A | 37 kW | 6419410399873 | 6419410399880 | M3 | 0.8 | | | | | | |
| KEM 880 M3 | KEM 880 YR M3 | 100 A | 80 A | 63 A | 30 kW | 40 A | 37 kW | 6419410399897 | 6419410399903 | M3 | 0.8 | | | | | | |
| KEM 8100 MF11 | KEM 8100 YR MF11 | 125 A | 100 A | 100 A | 55 kW | 63 A | 55 kW | 6419410315132 | 6419410315170 | MF11 | 3.4 | | | | | | |
| KEM 8125 MF11 | KEM 8125 YR MF11 | 160 A | 125 A | 125 A | 55 kW | 80 A | 75 kW | 6419410323304 | 6419410319406 | MF11 | 3.6 | | | | | | |
| KEM 8160 MF11 | KEM 8160 YR MF11 | 160 A | 160 A | 160 A | 90 kW | 100 A | 90 kW | 6419410323700 | 6419410319758 | MF11 | 3.6 | | | | | | |

* 400/415 V

**240 V

ABS ENCLOSED SAFETY SWITCHES / ISOLATORS 10-80 A



- Recommended for indoor installation
- Door interlock with defeat mechanism
- Excellent insulating properties
- Good resistance against many chemicals
- Padlockable
- Tested according to IEC 60947-3

Note! Katko uses recycled ABS plastic. Minor variance in properties of the material.

| Enclosure type | Width mm | Height mm | Depth mm | Material | IP rating |
|----------------|----------|-----------|----------|----------|-----------|
| M2 | 96,4 | 130,4 | 106 | ABS | IP65 |
| M3 | 144 | 190 | 96 | ABS | IP65 |

| Type | | AC-21A | | AC-22A | | AC-23A | | AC-23A | | 690 V | | EAN code | | Enclosure | Weight kg | |
|----------------|------------------|--------|--------|--------|--------|--------|--------|----------|--------|--------|--------|------------|---------------|---------------|-----------|-----|
| Grey/black | Yellow/red | 400 V | 415 V | 400 V | 415 V | 400 V | 415 V | Ie / A | P / kW | Ie / A | P / kW | Grey/black | Yellow/red | | | |
| | | Ie / A | P / kW | Ie / A | P / kW | Ie / A | P / kW | | | | | | | | | |
| 1 poles | | | | | | | | | | | | | | | | |
| KEM 110 M2ABS | KEM 110 YR M2ABS | 10 A* | 10 A* | 10 A* | 10 A* | 10 A* | 10 A* | 2 kW** | - | - | - | - | 6419410276396 | 6419410276402 | M2 | 0.4 |
| KEM 116 M2ABS | KEM 116 YR M2ABS | 25 A* | 25 A* | 16 A* | 16 A* | 16 A* | 16 A* | 3 kW** | - | - | - | - | 6419410276419 | 6419410276426 | M2 | 0.4 |
| KEM 125 M2ABS | KEM 125 YR M2ABS | 40 A* | 40 A* | 25 A* | 25 A* | 25 A* | 25 A* | 4 kW** | - | - | - | - | 6419410276433 | 6419410276440 | M2 | 0.4 |
| KEM 140 M2ABS | KEM 140 YR M2ABS | 40 A* | 40 A* | 40 A* | 40 A* | 40 A* | 40 A* | 7,5 kW** | - | - | - | - | 6419410276457 | 6419410276464 | M2 | 0.4 |
| KEM 163 M3ABS | KEM 163 YR M3ABS | 80 A* | 80 A* | 63 A* | 63 A* | 40 A* | 40 A* | 7,5 kW** | - | - | - | - | 6419410353882 | 6419410353899 | M3 | 0.6 |
| KEM 180 M3ABS | KEM 180 YR M3ABS | 100 A* | 100 A* | 80 A* | 80 A* | 63 A* | 63 A* | 11 kW** | - | - | - | - | 6419410353905 | 6419410353912 | M3 | 0.6 |
| 2 poles | | | | | | | | | | | | | | | | |
| KEM 210 M2ABS | KEM 210 YR M2ABS | 10 A* | 10 A* | 10 A* | 10 A* | 10 A* | 10 A* | 2 kW** | - | - | - | - | 6419410276471 | 6419410276488 | M2 | 0.4 |
| KEM 216 M2ABS | KEM 216 YR M2ABS | 25 A* | 25 A* | 16 A* | 16 A* | 16 A* | 16 A* | 3 kW** | - | - | - | - | 6419410276495 | 6419410276501 | M2 | 0.4 |
| KEM 225 M2ABS | KEM 225 YR M2ABS | 40 A* | 40 A* | 25 A* | 25 A* | 25 A* | 25 A* | 4 kW** | - | - | - | - | 6419410276518 | 6419410276525 | M2 | 0.4 |
| KEM 240 M2ABS | KEM 240 YR M2ABS | 40 A* | 40 A* | 40 A* | 40 A* | 40 A* | 40 A* | 7,5 kW** | - | - | - | - | 6419410276532 | 6419410276549 | M2 | 0.4 |
| KEM 263 M3ABS | KEM 263 YR M3ABS | 80 A* | 80 A* | 63 A* | 63 A* | 40 A* | 40 A* | 7,5 kW** | - | - | - | - | 6419410354001 | 6419410354018 | M3 | 0.6 |
| KEM 280 M3ABS | KEM 280 YR M3ABS | 100 A* | 100 A* | 80 A* | 80 A* | 63 A* | 63 A* | 11 kW** | - | - | - | - | 6419410354025 | 6419410354032 | M3 | 0.6 |
| 3 poles | | | | | | | | | | | | | | | | |
| KEM 310 M2ABS | KEM 310 YR M2ABS | 10 A | 10 A | 10 A | 10 A | 10 A | 10 A | 5.5 kW | 10 A | 7.5 kW | 10 A | 7.5 kW | 6419410277096 | 6419410277164 | M2 | 0.4 |
| KEM 316 M2ABS | KEM 316 YR M2ABS | 25 A | 25 A | 16 A | 16 A | 16 A | 16 A | 7.5 kW | 16 A | 11 kW | 16 A | 11 kW | 6419410277119 | 6419410277188 | M2 | 0.4 |
| KEM 325 M2ABS | KEM 325 YR M2ABS | 40 A | 40 A | 25 A | 25 A | 25 A | 25 A | 11 kW | 25 A | 22 kW | 25 A | 22 kW | 6419410277126 | 6419410277201 | M2 | 0.4 |
| KEM 340 M2ABS | KEM 340 YR M2ABS | 40 A | 40 A | 40 A | 40 A | 40 A | 40 A | 22 kW | 25 A | 22 kW | 25 A | 22 kW | 6419410277140 | 6419410277225 | M2 | 0.4 |
| KEM 363 M3ABS | KEM 363 YR M3ABS | 80 A | 80 A | 63 A | 63 A | 40 A | 40 A | 22 kW | 40 A | 37 kW | 40 A | 37 kW | 6419410481325 | 6419410481646 | M3 | 0.7 |
| KEM 380 M3ABS | KEM 380 YR M3ABS | 100 A | 100 A | 80 A | 80 A | 63 A | 63 A | 30 kW | 40 A | 37 kW | 40 A | 37 kW | 6419410481363 | 6419410481684 | M3 | 0.7 |
| 4 poles | | | | | | | | | | | | | | | | |
| KEM 410 M2ABS | KEM 410 YR M2ABS | 10 A | 10 A | 10 A | 10 A | 10 A | 10 A | 5.5 kW | 10 A | 7.5 kW | 10 A | 7.5 kW | 6419410277102 | 6419410277171 | M2 | 0.4 |
| KEM 416 M2ABS | KEM 416 YR M2ABS | 25 A | 25 A | 16 A | 16 A | 16 A | 16 A | 7.5 kW | 16 A | 11 kW | 16 A | 11 kW | 6419410281444 | 6419410277195 | M2 | 0.4 |
| KEM 425 M2ABS | KEM 425 YR M2ABS | 40 A | 40 A | 25 A | 25 A | 25 A | 25 A | 11 kW | 25 A | 22 kW | 25 A | 22 kW | 6419410277133 | 6419410277218 | M2 | 0.4 |
| KEM 440 M2ABS | KEM 440 YR M2ABS | 40 A | 40 A | 40 A | 40 A | 40 A | 40 A | 22 kW | 25 A | 22 kW | 25 A | 22 kW | 6419410277157 | 6419410277232 | M2 | 0.4 |
| KEM 463 M3ABS | KEM 463 YR M3ABS | 80 A | 80 A | 63 A | 63 A | 40 A | 40 A | 22 kW | 40 A | 37 kW | 40 A | 37 kW | 6419410481332 | 6419410481653 | M3 | 0.9 |
| KEM 480 M3ABS | KEM 480 YR M3ABS | 100 A | 100 A | 80 A | 80 A | 63 A | 63 A | 30 kW | 40 A | 37 kW | 40 A | 37 kW | 6419410481370 | 6419410481691 | M3 | 0.9 |

* 400/415 V

**240 V

DISCOVER MORE

**Dimensional drawings:**

Dimensional drawings section of this catalogue

3D STEP files available:www.katko.com/3d-models**Accessories available:**www.katko.com/products/accessories/

EMC-PROTECTED SAFETY SWITCHES / ISOLATORS 16-630 A



- Electromagnetic compatibility ensures safe operation in environments with electromagnetic disturbance
- Tested according to EMC EN 61000-6-3:2007+A1(2011) with EMC- glands shielded power cable
- Available in polycarbonate up to 80 A, aluminium up to 125 A and sheet steel up to 630 A
- Door interlock with defeat mechanism
- Padlockable
- Tested according to IEC 60947-3
- EMC cable glands included

| Enclosure type | Width mm | Height mm | Depth mm | Material | IP rating |
|----------------|----------|-----------|----------|-------------------|-----------|
| A2 | 104 | 158,5 | 79,5 | Aluminum | IP66 |
| A4 | 162 | 262 | 108 | Aluminum | IP66 |
| M2 | 96,4 | 130,4 | 106 | Polycarbonate, PC | IP66 |
| M3 | 144 | 190 | 96 | Polycarbonate, PC | IP66 |
| M4 | 180 | 255 | 100 | Polycarbonate, PC | IP66 |
| T5 | 300 | 400 | 120 | Sheet steel | IP66 |
| T6 | 400 | 600 | 200 | Sheet steel | IP66 |
| T7 | 600 | 800 | 250 | Sheet steel | IP66 |

| Type | | AC-21A | | AC-22A | | AC-23A | | AC-23A | | 690 V | | EAN code | | Enclosure | Cable glands | Weight kg | |
|---------------------------------|------------------------------------|--------|--------|--------|--------|--------|--------|--------|--------|---------------|---------------|----------|--------|-----------|--------------|-----------|--|
| | | 400 V | 415 V | 400 V | 415 V | 400 V | 415 V | AC-23A | 690 V | Grey/black | Yellow/red | | | | | | |
| | | le / A | le / A | le / A | P / kW | le / A | P / kW | le / A | P / kW | Grey/black | Yellow/red | | | | | | |
| Polycarbonate enclosures | | | | | | | | | | | | | | | | | |
| KEM 316 M2EMC 2XM25MEMC | KEM 316 YR M2EMC 2XM25MEMC | 25 A | 16 A | 16 A | 7.5 kW | 16 A | 11 kW | 16 A | 11 kW | 6419410272633 | 6419410276747 | M2 | 2xM25 | 0.5 | | | |
| KEM 325 M2EMC 2XM25MEMC | KEM 325 YR M2EMC 2XM25MEMC | 40 A | 25 A | 25 A | 11 kW | 25 A | 22 kW | 25 A | 22 kW | 6419410272787 | 6419410276754 | M2 | 2xM25 | 0.5 | | | |
| KEM 340 M2EMC 2XM25MEMC | KEM 340 YR M2EMC 2XM25MEMC | 40 A | 40 A | 40 A | 22 kW | 25 A | 22 kW | 25 A | 22 kW | 6419410275696 | 6419410275702 | M2 | 2xM25 | 0.5 | | | |
| KEM 363 M3EMC 2XM32MEMC | KEM 363 YR M3EMC 2XM32MEMC | 80 A | 63 A | 40 A | 22 kW | 40 A | 37 kW | 40 A | 37 kW | 6419410329238 | 6419410329283 | M3 | 2xM32 | 0.8 | | | |
| KEM 380 M3EMC 2XM32MEMC | KEM 380 YR M3EMC 2XM32MEMC | 100 A | 80 A | 63 A | 30 kW | 40 A | 37 kW | 40 A | 37 kW | 6419410329245 | 6419410329290 | M3 | 2xM32 | 0.8 | | | |
| KEM 3100 M4EMC 2XM40MEMC | KEM 3100 YR M4EMC 2XM40MEMC | 125 A | 100 A | 100 A | 55 kW | 63 A | 55 kW | 63 A | 55 kW | 6419410315484 | 6419410315521 | M4 | 2xM40 | 1.7 | | | |
| KEM 3125 M4EMC 2XM40MEMC | KEM 3125 YR M4EMC 2XM40MEMC | 160 A | 125 A | 125 A | 55 kW | 80 A | 75 kW | 80 A | 75 kW | 6419410315491 | 6419410315538 | M4 | 2xM40 | 1.6 | | | |
| Aluminium enclosures | | | | | | | | | | | | | | | | | |
| KEA 316 A2EMC 2XM25MEMC KST16M | KEA 316 YR A2EMC 2XM25MEMC KST16M | 25 A | 16 A | 16 A | 7.5 kW | 16 A | 11 kW | 16 A | 11 kW | 6419410282199 | 6419410274255 | A2 | 2xM25 | 1.1 | | | |
| KEA 325 A2EMC 2XM25MEMC KST16M | KEA 325 YR A2EMC 2XM25MEMC KST16M | 40 A | 25 A | 25 A | 11 kW | 25 A | 22 kW | 25 A | 22 kW | 6419410279861 | 6419410274323 | A2 | 2xM25 | 1.1 | | | |
| KEA 340 A2EMC 2XM25MEMC KST16M | KEA 340 YR A2EMC 2XM25MEMC KST16M | 40 A | 40 A | 40 A | 22 kW | 25 A | 22 kW | 25 A | 22 kW | 6419410277249 | 6419410277256 | A2 | 2xM25 | 2.2 | | | |
| KEA 363 A4EMC 2XM40MEMC KST16M | KEA 363 YR A4EMC 2XM40MEMC KST16M | 80 A | 63 A | 40 A | 22 kW | 40 A | 37 kW | 40 A | 37 kW | 6419410336601 | 6419410336465 | A4 | 2xM40 | 2.8 | | | |
| KEA 380 A4EMC 2XM40MEMC KST16M | KEA 380 YR A4EMC 2XM40MEMC KST16M | 100 A | 80 A | 63 A | 30 kW | 40 A | 37 kW | 40 A | 37 kW | 6419410336618 | 6419410336472 | A4 | 2xM40 | 2.8 | | | |
| KEA 3100 A4EMC 2XM40MEMC KST16M | KEA 3100 YR A4EMC 2XM40MEMC KST16M | 125 A | 100 A | 100 A | 55 kW | 63 A | 55 kW | 63 A | 55 kW | 6419410315507 | 6419410315545 | A4 | 2xM40 | 2.9 | | | |
| KEA 3125 A4EMC 2XM40MEMC KST16M | KEA 3125 YR A4EMC 2XM40MEMC KST16M | 160 A | 125 A | 125 A | 55 kW | 80 A | 75 kW | 80 A | 75 kW | 6419410336625 | 6419410336489 | A4 | 2xM40 | 2.9 | | | |
| KEA 3160 A4EMC 2XM40MEMC KST16M | KEA 3160 YR A4EMC 2XM40MEMC KST16M | 160 A | 160 A | 160 A | 90 kW | 100 A | 90 kW | 100 A | 90 kW | 6419410315514 | 6419410315552 | A4 | 2xM40 | 2.9 | | | |
| Sheet steel enclosures | | | | | | | | | | | | | | | | | |
| KET 3160 T5EMC 2XM50MEMC | KET 3160 YR T5EMC 2XM50MEMC | 160 A | 160 A | 160 A | 90 kW | 100 A | 90 kW | 100 A | 90 kW | 6419410336649 | 6419410338735 | T5 | 2xM50 | 8.4 | | | |
| KET 3200 T6EMC 2XM50MEMC | KET 3200 YR T6EMC 2XM50MEMC | 200 A | 200 A | 200 A | 110 kW | 200 A | 160 kW | 200 A | 160 kW | 6419410336656 | 6419410338742 | T6 | 2xM50 | 16.3 | | | |
| KET 3250 T6EMC 2XM63MEMC | KET 3250 YR T6EMC 2XM63MEMC | 250 A | 250 A | 250 A | 132 kW | 250 A | 250 kW | 250 A | 250 kW | 6419410336663 | 6419410338759 | T6 | 2xM63 | 16.5 | | | |
| KET 3315 T6EMC 2XM63MEMC | KET 3315 YR T6EMC 2XM63MEMC | 315 A | 315 A | 315 A | 160 kW | 315 A | 315 kW | 315 A | 315 kW | 6419410336670 | 6419410338766 | T6 | 2xM63 | 17.2 | | | |
| KET 3400 T7EMC 2XM63MEMC | KET 3400 YR T7EMC 2XM63MEMC | 400 A | 400 A | 400 A | 200 kW | 400 A | 355 kW | 400 A | 355 kW | 6419410336687 | 6419410338773 | T7 | 2xM63 | 31.7 | | | |
| KET 3630 T7EMC 2XM63LMEMC | KET 3630 YR T7EMC 2XM63LMEMC | 630 A | 630 A | 630 A | 355 kW | 630 A | 630 kW | 630 A | 630 kW | 6419410336694 | 6419410338780 | T7 | 2xM63L | 33.3 | | | |

* 160-630 A cable glands according to order

DISCOVER MORE



Dimensional drawings:
Dimensional drawings section of this catalogue

3D STEP files available:
www.katko.com/3d-models

Accessories available:
www.katko.com/products/accessories/

SHEET STEEL ENCLOSED SAFETY SWITCHES / ISOLATORS 16-1600 A



- Available up to 1600A
- Good corrosion resistance
- Wide operating temperature range
- Door interlock with defeat mechanism
- Excellent Insulating properties
- Good resistance against UV and many chemicals
- Padlockable
- Tested according to IEC 60947-3

| Enclosure type | Width mm | Height mm | Depth mm | Material | IP rating |
|----------------|----------|-----------|----------|-------------|-----------|
| T3 | 150 | 200 | 120 | Sheet steel | IP66 |
| T4 | 150 | 300 | 120 | Sheet steel | IP66 |
| T5 | 300 | 400 | 120 | Sheet steel | IP66 |
| T6 | 400 | 600 | 200 | Sheet steel | IP66 |
| T6B | 600 | 600 | 200 | Sheet steel | IP66 |
| T7 | 600 | 800 | 250 | Sheet steel | IP66 |
| T8 | 800 | 800 | 200 | Sheet steel | IP66 |
| T10A | 600 | 1200 | 300 | Sheet steel | IP66 |
| T10 | 800 | 1200 | 300 | Sheet steel | IP66 |

DISCOVER MORE



Dimensional drawings:

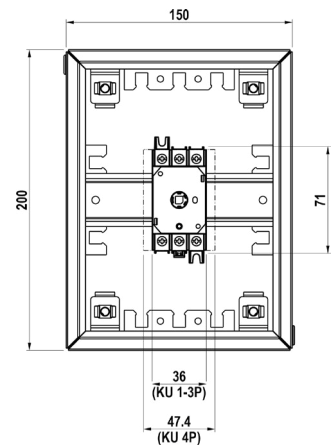
Dimensional drawings section of this catalogue

3D STEP files available:

www.katko.com/3d-models

Accessories available:

www.katko.com/products/accessories/



T3 ENCLOSURE

SHEET STEEL ENCLOSED SAFETY SWITCHES / ISOLATORS 16-1600 A

| Type | | AC-21A | 400 V | AC-22A | 400 V | AC-23A | 400 V | AC-23A | 690 V | EAN code | | Enclosure | Weight kg |
|-----------------|--------------------|--------|--------|--------|--------|--------|---------|---------|---------------|---------------|-------|-----------|-----------|
| | | | 415 V | | 415 V | | 415 V | | | 690 V | 690 V | | |
| Grey/black | Yellow/red | le / A | le / A | le / A | P / kW | le / A | P / kW | P / kW | Grey/black | Yellow/red | | | |
| 3 poles | | | | | | | | | | | | | |
| KET 316 T3 | KET 316 YR T3 | 25 A | 16 A | 16 A | 7.5 kW | 16 A | 11 kW | 11 kW | 6419410443699 | 6419410447895 | T3 | 2.1 | |
| KET 325 T3 | KET 325 YR T3 | 40 A | 25 A | 25 A | 11 kW | 25 A | 22 kW | 22 kW | 6419410443767 | 6419410447963 | T3 | 2.3 | |
| KET 340 T3 | KET 340 YR T3 | 40 A | 40 A | 40 A | 22 kW | 25 A | 22 kW | 22 kW | 6419410443835 | 6419410448038 | T3 | 2.3 | |
| KET 316NO T3 | KET 316NO YR T3 | 25 A | 16 A | 16 A | 7.5 kW | 16 A | 11 kW | 11 kW | 6419410452097 | 6419410456293 | T3 | 2.1 | |
| KET 325NO T3 | KET 325NO YR T3 | 40 A | 25 A | 25 A | 11 kW | 25 A | 22 kW | 22 kW | 6419410452165 | 6419410456361 | T3 | 2.1 | |
| KET 340NO T3 | KET 340NO YR T3 | 40 A | 40 A | 40 A | 22 kW | 25 A | 22 kW | 22 kW | 6419410452233 | 6419410456439 | T3 | 2.1 | |
| KET 363 T3 | KET 363 YR T3 | 80 A | 63 A | 40 A | 22 kW | 40 A | 37 kW | 37 kW | 6419410339923 | 6419410341636 | T3 | 2.4 | |
| KET 380 T3 | KET 380 YR T3 | 100 A | 80 A | 63 A | 30 kW | 40 A | 37 kW | 37 kW | 6419410339961 | 6419410341735 | T3 | 2.2 | |
| KET 3100 T4 | KET 3100 YR T4 | 125 A | 100 A | 100 A | 55 kW | 63 A | 55 kW | 55 kW | 6419410315262 | 6419410315309 | T4 | 3.3 | |
| KET 3125 T4 | KET 3125 YR T4 | 160 A | 125 A | 125 A | 55 kW | 80 A | 75 kW | 75 kW | 6419410339251 | 6419410339268 | T4 | 3.3 | |
| KET 3160 T5 | KET 3160 YR T5 | 160 A | 160 A | 160 A | 90 kW | 100 A | 90 kW | 90 kW | 6419410339299 | 6419410339305 | T5 | 8.0 | |
| KET 3200 T6 | KET 3200 YR T6 | 200 A | 200 A | 200 A | 110 kW | 200 A | 160 kW | 160 kW | 6419410336700 | 6419410336724 | T6 | 16.0 | |
| KET 3200C T5 | KET 3200C YR T5 | 200 A | 200 A* | 200 A | 110 kW | - | - | - | 6419410336731 | 6419410336748 | T5 | 8.8 | |
| KET 3250 T6 | KET 3250 YR T6 | 250 A | 250 A | 250 A | 132 kW | 250 A | 250 kW | 250 kW | 6419410337103 | 6419410337127 | T6 | 16.0 | |
| KET 3250C T5 | KET 3250C YR T5 | 250 A | 250 A* | 250 A | 132 kW | - | - | - | 6419410337134 | 6419410337141 | T5 | 8.8 | |
| KET 3315 T6 | KET 3315 YR T6 | 315 A | 315 A | 315 A | 160 kW | 315 A | 315 kW | 315 kW | 6419410337509 | 6419410337523 | T6 | 16.9 | |
| KET 3400 T6 | KET 3400 YR T6 | 400 A | 400 A | 400 A | 200 kW | 400 A | 355 kW | 355 kW | 6419410337905 | 6419410337929 | T6 | 16.9 | |
| KET 3630 T7 | KET 3630 YR T7 | 630 A | 630 A | 630 A | 355 kW | 630 A | 630 kW | 630 kW | 6419410338308 | 6419410338322 | T7 | 32.8 | |
| KET 3800 T10A | KET 3800 YR T10A | 800 A | 800 A | 800 A | 400 kW | 800 A | 800 kW | 800 kW | 6419410338360 | 6419410338377 | T10A | 50.5 | |
| KET 31000T T10A | KET 31000T YR T10A | 1000 A | 1000 A | 1000 A | 560 kW | 1000 A | 800 kW | 800 kW | 6419410338384 | 6419410338391 | T10A | 65.1 | |
| KET 31250T T10A | KET 31250T YR T10A | 1250 A | 1250 A | 1250 A | 710 kW | 1250 A | 1000 kW | 1000 kW | 6419410338407 | 6419410338414 | T10A | 71.6 | |
| KET 31600T T10A | KET 31600T YR T10A | 1600 A | 1600 A | 1600 A | 900 kW | 1600 A | 1200 kW | 1200 kW | 6419410338421 | 6419410338438 | T10A | 76.6 | |
| 4 poles | | | | | | | | | | | | | |
| KET 416 T3 | KET 416 YR T3 | 25 A | 16 A | 16 A | 7.5 kW | 16 A | 11 kW | 11 kW | 6419410443903 | 6419410448106 | T3 | 2.3 | |
| KET 425 T3 | KET 425 YR T3 | 40 A | 25 A | 25 A | 11 kW | 25 A | 22 kW | 22 kW | 6419410443972 | 6419410448175 | T3 | 2.3 | |
| KET 440 T3 | KET 440 YR T3 | 40 A | 40 A | 40 A | 22 kW | 25 A | 22 kW | 22 kW | 6419410444047 | 6419410448243 | T3 | 2.3 | |
| KET 416 1NO T3 | KET 416 1NOYR T3 | 25 A | 16 A | 16 A | 7.5 kW | 16 A | 11 kW | 11 kW | 6419410452301 | 6419410456507 | T3 | 2.1 | |
| KET 425 1NO T3 | KET 425 1NOYR T3 | 40 A | 25 A | 25 A | 11 kW | 25 A | 22 kW | 22 kW | 6419410452370 | 6419410456576 | T3 | 2.1 | |
| KET 440 1NO T3 | KET 440 1NOYR T3 | 40 A | 40 A | 40 A | 22 kW | 25 A | 22 kW | 22 kW | 6419410452448 | 6419410456644 | T3 | 2.1 | |
| KET 463 T3 | KET 463 YR T3 | 80 A | 63 A | 40 A | 22 kW | 40 A | 37 kW | 37 kW | 6419410339930 | 6419410341643 | T3 | 2.4 | |
| KET 480 T3 | KET 480 YR T3 | 100 A | 80 A | 63 A | 30 kW | 40 A | 37 kW | 37 kW | 6419410339978 | 6419410341742 | T3 | 2.2 | |
| KET 4100 T4 | KET 4100 YR T4 | 125 A | 100 A | 100 A | 55 kW | 63 A | 55 kW | 55 kW | 6419410315279 | 6419410315316 | T4 | 3.3 | |
| KET 4125 T4 | KET 4125 YR T4 | 160 A | 125 A | 125 A | 55 kW | 80 A | 75 kW | 75 kW | 6419410339275 | 6419410339282 | T4 | 3.4 | |
| KET 4160 T5 | KET 4160 YR T5 | 160 A | 160 A | 160 A | 90 kW | 100 A | 90 kW | 90 kW | 6419410339312 | 6419410339329 | T5 | 8.0 | |
| KET 4200 T6 | KET 4200 YR T6 | 200 A | 200 A | 200 A | 110 kW | 200 A | 160 kW | 160 kW | 6419410341315 | 6419410341339 | T6 | 15.9 | |
| KET 4200C T5 | KET 4200C YR T5 | 200 A | 200 A* | 200 A | 110 kW | - | - | - | 6419410341346 | 6419410341353 | T5 | 8.8 | |
| KET 4250 T6 | KET 4250 YR T6 | 250 A | 250 A | 250 A | 132 kW | 250 A | 250 kW | 250 kW | 6419410341711 | 6419410341698 | T6 | 15.9 | |
| KET 4250C T5 | KET 4250C YR T5 | 250 A | 250 A* | 250 A | 132 kW | - | - | - | 6419410341773 | 6419410341780 | T5 | 8.8 | |
| KET 4315 T6 | KET 4315 YR T6 | 315 A | 315 A | 315 A | 160 kW | 315 A | 315 kW | 315 kW | 6419410337547 | 6419410337554 | T6 | 16.6 | |
| KET 4400 T6 | KET 4400 YR T6 | 400 A | 400 A | 400 A | 200 kW | 400 A | 355 kW | 355 kW | 6419410337967 | 6419410337974 | T6 | 16.6 | |
| KET 4630 T7 | KET 4630 YR T7 | 630 A | 630 A | 630 A | 355 kW | 630 A | 630 kW | 630 kW | 6419410338346 | 6419410338353 | T7 | 32.5 | |
| KET 4800 T10A | KET 4800 YR T10A | 800 A | 800 A | 800 A | 400 kW | 800 A | 800 kW | 800 kW | 6419410342015 | 6419410363805 | T10A | 50.0 | |
| KET 41000T T10A | KET 41000T YR T10A | 1000 A | 1000 A | 1000 A | 560 kW | 1000 A | 800 kW | 800 kW | 6419410342022 | 6419410363812 | T10A | 62.3 | |
| KET 41250T T10A | KET 41250T YR T10A | 1250 A | 1250 A | 1250 A | 710 kW | 1250 A | 1000 kW | 1000 kW | 6419410342039 | 6419410363829 | T10A | 70.6 | |
| KET 41600T T10A | KET 41600T YR T10A | 1600 A | 1600 A | 1600 A | 900 kW | 1600 A | 1200 kW | 1200 kW | 6419410342046 | 6419410363836 | T10A | 80.1 | |
| 6 poles | | | | | | | | | | | | | |
| KET 616 T3 | KET 616 YR T3 | 25 A | 16 A | 16 A | 7.5 kW | 16 A | 11 kW | 11 kW | 6419410345566 | 6419410345573 | T3 | 2.4 | |
| KET 625 T3 | KET 625 YR T3 | 40 A | 25 A | 25 A | 11 kW | 25 A | 22 kW | 22 kW | 6419410345580 | 6419410345597 | T3 | 2.4 | |
| KET 640 T3 | KET 640 YR T3 | 40 A | 40 A | 40 A | 22 kW | 25 A | 22 kW | 22 kW | 6419410345610 | 6419410345634 | T3 | 2.4 | |
| KET 663 T3 | KET 663 YR T3 | 80 A | 63 A | 40 A | 22 kW | 40 A | 37 kW | 37 kW | 6419410339947 | 6419410341650 | T3 | 2.4 | |
| KET 680 T3 | KET 680 YR T3 | 100 A | 80 A | 63 A | 30 kW | 40 A | 37 kW | 37 kW | 6419410339985 | 6419410341759 | T3 | 2.5 | |
| KET 6100 T5 | KET 6100 YR T5 | 125 A | 100 A | 100 A | 55 kW | 63 A | 55 kW | 55 kW | 6419410315286 | 6419410315323 | T5 | 8.2 | |
| KET 6125 T5 | KET 6125 YR T5 | 160 A | 125 A | 125 A | 55 kW | 80 A | 75 kW | 75 kW | 6419410338902 | 6419410341254 | T5 | 8.3 | |
| KET 6160 T5 | KET 6160 YR T5 | 160 A | 160 A | 160 A | 90 kW | 100 A | 90 kW | 90 kW | 6419410338926 | 6419410341278 | T5 | 8.3 | |
| KET 6200 T7 | KET 6200 YR T7 | 200 A | 200 A | 200 A | 110 kW | 200 A | 160 kW | 160 kW | 6419410341438 | 6419410341445 | T7 | 31.0 | |
| KET 6250 T7 | KET 6250 YR T7 | 250 A | 250 A | 250 A | 132 kW | 250 A | 250 kW | 250 kW | 6419410341834 | 6419410341841 | T7 | 31.0 | |
| KET 6315 T8 | KET 6315 YR T8 | 315 A | 315 A | 315 A | 160 kW | 315 A | 315 kW | 315 kW | 6419410337561 | 6419410337707 | T8 | 32.6 | |
| KET 6400 T8 | KET 6400 YR T8 | 400 A | 400 A | 400 A | 200 kW | 400 A | 355 kW | 355 kW | 6419410338100 | 6419410338117 | T8 | 32.6 | |
| 8 poles | | | | | | | | | | | | | |
| KET 816 T3 | KET 816 YR T3 | 25 A | 16 A | 16 A | 7.5 kW | 16 A | 11 kW | 11 kW | 6419410345658 | 6419410345672 | T3 | 2.3 | |
| KET 825 T3 | KET 825 YR T3 | 40 A | 25 A | 25 A | 11 kW | 25 A | 22 kW | 22 kW | 6419410345696 | 6419410345795 | T3 | 2.3 | |
| KET 840 T3 | KET 840 YR T3 | 40 A | 40 A | 40 A | 22 kW | 25 A | 22 kW | 22 kW | 6419410346877 | 6419410346884 | T3 | 2.3 | |
| KET 863 T3 | KET 863 YR T3 | 80 A | 63 A | 40 A | 22 kW | 40 A | 37 kW | 37 kW | 6419410339954 | 6419410341667 | T3 | 2.3 | |
| KET 880 T3 | KET 880 YR T3 | 100 A | 80 A | 63 A | 30 kW | 40 A | 37 kW | 37 kW | 6419410339992 | 6419410341766 | T3 | 2.4 | |
| KET 8100 T5 | KET 8100 YR T5 | 125 A | 100 A | 100 A | 55 kW | 63 A | 55 kW | 55 kW | 6419410315293 | 6419410315330 | T5 | 8.5 | |
| KET 8125 T5 | KET 8125 YR T5 | 160 A | 125 A | 125 A | 55 kW | 80 A | 75 kW | 75 kW | 6419410338919 | 6419410341261 | T5 | 8.5 | |
| KET 8160 T5 | KET 8160 YR T5 | 160 A | 160 A | 160 A | 90 kW | 100 A | 90 kW | 90 kW | 6419410338933 | 6419410341285 | T5 | 8.5 | |

* 400/415 V

**240 V

ALUMINIUM ENCLOSED SAFETY SWITCHES / ISOLATORS 16-250 A



- Excellent for hard weather conditions
- Wide operating temperature range
- Door interlock with defeat mechanism
- Good resistance against UV and many chemicals
- Padlockable
- Tested according to IEC 60947-3

| Enclosure type | Width mm | Height mm | Depth mm | Material | IP rating |
|----------------|----------|-----------|----------|----------|-----------|
| A2 | 104 | 158,5 | 79,5 | Aluminum | IP66 |
| A4 | 162 | 262 | 108 | Aluminum | IP66 |
| A5 | 300 | 400 | 170 | Aluminum | IP65 |
| A6 | 400 | 500 | 170 | Aluminum | IP65 |

DISCOVER MORE



Dimensional drawings:

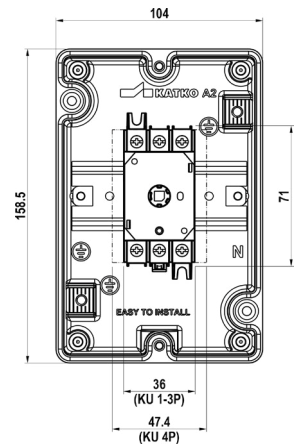
Dimensional drawings section of this catalogue

3D STEP files available:

www.katko.com/3d-models

Accessories available:

www.katko.com/products/accessories/



A2 ENCLOSURE

ALUMINIUM ENCLOSED SAFETY SWITCHES / ISOLATORS 16-250 A

| Type | | AC-21A | | AC-22A | | AC-23A | | AC-23A | | 690 V | | EAN code | | Enclosure | Weight kg |
|----------------|------------------|--------|-------|--------|-------|--------|--------|--------|--------|---------------|---------------|------------|------------|-----------|-----------|
| | | 400 V | 415 V | 400 V | 415 V | 400 V | 415 V | 400 V | 415 V | 690 V | P / kW | Grey/black | Yellow/red | | |
| Grey/black | Yellow/red | Ie / A | | Ie / A | | Ie / A | | Ie / A | | P / kW | P / kW | Grey/black | Yellow/red | | |
| 3 poles | | | | | | | | | | | | | | | |
| KEA 316 A2 | KEA 316 YR A2 | 25 A | | 16 A | | 16 A | 7.5 kW | 16 A | 11 kW | 6419410442012 | 6419410446218 | A2 | | | 1.0 |
| KEA 325 A2 | KEA 325 YR A2 | 40 A | | 25 A | | 25 A | 11 kW | 25 A | 22 kW | 6419410442081 | 6419410446287 | A2 | | | 1.0 |
| KEA 340 A2 | KEA 340 YR A2 | 40 A | | 40 A | | 40 A | 22 kW | 25 A | 22 kW | 6419410442159 | 6419410446355 | A2 | | | 1.0 |
| KEA 316NO A2 | KEA 316NO YR A2 | 16 A | | 16 A | | 16 A | 7.5 kW | 16 A | 11 kW | 6419410450413 | 6419410454619 | A2 | | | 1.1 |
| KEA 325NO A2 | KEA 325NO YR A2 | 25 A | | 25 A | | 25 A | 11 kW | 25 A | 22 kW | 6419410450482 | 6419410454688 | A2 | | | 1.1 |
| KEA 340NO A2 | KEA 340NO YR A2 | 40 A | | 40 A | | 40 A | 22 kW | 25 A | 22 kW | 6419410450550 | 6419410454756 | A2 | | | 1.1 |
| KEA 363 A4 | KEA 363 YR A4 | 80 A | | 63 A | | 40 A | 22 kW | 40 A | 37 kW | 6419410329566 | 6419410329740 | A4 | | | 2.6 |
| KEA 380 A4 | KEA 380 YR A4 | 100 A | | 80 A | | 63 A | 30 kW | 40 A | 37 kW | 6419410329603 | 6419410329788 | A4 | | | 2.6 |
| KEA 3100 A4 | KEA 3100 YR A4 | 125 A | | 100 A | | 100 A | 55 kW | 63 A | 55 kW | 6419410315347 | 6419410315385 | A4 | | | 2.8 |
| KEA 3125 A4 | KEA 3125 YR A4 | 160 A | | 125 A | | 125 A | 55 kW | 80 A | 75 kW | 6419410329641 | 6419410329825 | A4 | | | 2.8 |
| KEA 3160 A4 | KEA 3160 YR A4 | 160 A | | 160 A | | 160 A | 90 kW | 100 A | 90 kW | 6419410329665 | 6419410329849 | A4 | | | 2.8 |
| KEA 3200 A6 | KEA 3200 YR A6 | 200 A | | 200 A | | 200 A | 110 kW | 200 A | 160 kW | 6419410332504 | 6419410332658 | A6 | | | 10.3 |
| KEA 3200C A5 | KEA 3200C YR A5 | 200 A | | 200 A* | | 200 A | 110 kW | - | - | 6419410332900 | 6419410332917 | A5 | | | 9.6 |
| KEA 3250 A6 | KEA 3250 YR A6 | 250 A | | 250 A | | 250 A | 132 kW | 250 A | 250 kW | 6419410332801 | 6419410332672 | A6 | | | 10.3 |
| KEA 3250C A5 | KEA 3250C YR A5 | 250 A | | 250 A* | | 250 A | 132 kW | - | - | 6419410332924 | 6419410332931 | A5 | | | 9.6 |
| 4 poles | | | | | | | | | | | | | | | |
| KEA 416 A2 | KEA 416 YR A2 | 25 A | | 16 A | | 16 A | 7.5 kW | 16 A | 11 kW | 6419410442227 | 6419410446423 | A2 | | | 1.0 |
| KEA 425 A2 | KEA 425 YR A2 | 40 A | | 25 A | | 25 A | 11 kW | 25 A | 22 kW | 6419410442296 | 6419410446492 | A2 | | | 1.0 |
| KEA 440 A2 | KEA 440 YR A2 | 40 A | | 40 A | | 40 A | 22 kW | 25 A | 22 kW | 6419410442364 | 6419410446560 | A2 | | | 1.0 |
| KEA 416 1NO A2 | KEA 416 1NOYR A2 | 16 A | | 16 A | | 16 A | 7.5 kW | 16 A | 11 kW | 6419410450628 | 6419410454824 | A2 | | | 1.1 |
| KEA 425 1NO A2 | KEA 425 1NOYR A2 | 25 A | | 25 A | | 25 A | 11 kW | 25 A | 22 kW | 6419410450697 | 6419410454893 | A2 | | | 1.1 |
| KEA 440 1NO A2 | KEA 440 1NOYR A2 | 40 A | | 40 A | | 40 A | 22 kW | 25 A | 22 kW | 6419410450765 | 6419410454961 | A2 | | | 1.1 |
| KEA 463 A4 | KEA 463 YR A4 | 80 A | | 63 A | | 40 A | 22 kW | 40 A | 37 kW | 6419410329573 | 6419410329757 | A4 | | | 2.6 |
| KEA 480 A4 | KEA 480 YR A4 | 100 A | | 80 A | | 63 A | 30 kW | 40 A | 37 kW | 6419410329610 | 6419410329795 | A4 | | | 2.6 |
| KEA 4100 A4 | KEA 4100 YR A4 | 125 A | | 100 A | | 100 A | 55 kW | 63 A | 55 kW | 6419410315354 | 6419410315392 | A4 | | | 2.7 |
| KEA 4125 A4 | KEA 4125 YR A4 | 160 A | | 125 A | | 125 A | 55 kW | 80 A | 75 kW | 6419410329658 | 6419410329832 | A4 | | | 2.8 |
| KEA 4160 A4 | KEA 4160 YR A4 | 160 A | | 160 A | | 160 A | 90 kW | 100 A | 90 kW | 6419410329672 | 6419410329856 | A4 | | | 2.8 |
| KEA 4200 A6 | KEA 4200 YR A6 | 200 A | | 200 A | | 200 A | 110 kW | 200 A | 160 kW | 6419410358061 | 6419410358078 | A6 | | | 10.2 |
| KEA 4200C A5 | KEA 4200C YR A5 | 200 A | | 200 A* | | 200 A | 110 kW | - | - | 6419410332948 | 6419410332955 | A5 | | | 9.6 |
| KEA 4250 A6 | KEA 4250 YR A6 | 250 A | | 250 A | | 250 A | 132 kW | 250 A | 250 kW | 6419410358085 | 6419410358092 | A6 | | | 10.2 |
| KEA 4250C A5 | KEA 4250C YR A5 | 250 A | | 250 A* | | 250 A | 132 kW | - | - | 6419410332962 | 6419410332979 | A5 | | | 9.6 |
| 6 poles | | | | | | | | | | | | | | | |
| KEA 616 A4 | KEA 616 YR A4 | 25 A | | 16 A | | 16 A | 7.5 kW | 16 A | 11 kW | 6419410345801 | 6419410345818 | A4 | | | 2.6 |
| KEA 625 A4 | KEA 625 YR A4 | 40 A | | 25 A | | 25 A | 11 kW | 25 A | 22 kW | 6419410345825 | 6419410345832 | A4 | | | 2.6 |
| KEA 640 A4 | KEA 640 YR A4 | 40 A | | 40 A | | 40 A | 22 kW | 25 A | 22 kW | 6419410345849 | 6419410345856 | A4 | | | 2.6 |
| KEA 663 A4 | KEA 663 YR A4 | 80 A | | 63 A | | 40 A | 22 kW | 40 A | 37 kW | 6419410329580 | 6419410329764 | A4 | | | 2.6 |
| KEA 680 A4 | KEA 680 YR A4 | 100 A | | 80 A | | 63 A | 30 kW | 40 A | 37 kW | 6419410329627 | 6419410329801 | A4 | | | 2.6 |
| KEA 6100 A5 | KEA 6100 YR A5 | 125 A | | 100 A | | 100 A | 55 kW | 63 A | 55 kW | 6419410315361 | 6419410315408 | A5 | | | 8.9 |
| KEA 6125 A5 | KEA 6125 YR A5 | 160 A | | 125 A | | 125 A | 55 kW | 80 A | 75 kW | 6419410332207 | 6419410336007 | A5 | | | 9.0 |
| KEA 6160 A5 | KEA 6160 YR A5 | 160 A | | 160 A | | 160 A | 90 kW | 100 A | 90 kW | 6419410332603 | 6419410336410 | A5 | | | 9.0 |
| 8 poles | | | | | | | | | | | | | | | |
| KEA 816 A4 | KEA 816 YR A4 | 25 A | | 16 A | | 16 A | 7.5 kW | 16 A | 11 kW | 6419410345863 | 6419410345870 | A4 | | | 2.9 |
| KEA 825 A4 | KEA 825 YR A4 | 40 A | | 25 A | | 25 A | 11 kW | 25 A | 22 kW | 6419410345887 | 6419410345894 | A4 | | | 2.9 |
| KEA 840 A4 | KEA 840 YR A4 | 40 A | | 40 A | | 40 A | 22 kW | 25 A | 22 kW | 6419410345917 | 6419410345955 | A4 | | | 2.9 |
| KEA 863 A4 | KEA 863 YR A4 | 80 A | | 63 A | | 40 A | 22 kW | 40 A | 37 kW | 6419410329597 | 6419410329771 | A4 | | | 2.9 |
| KEA 880 A4 | KEA 880 YR A4 | 100 A | | 80 A | | 63 A | 30 kW | 40 A | 37 kW | 6419410329634 | 6419410329818 | A4 | | | 2.9 |
| KEA 8100 A5 | KEA 8100 YR A5 | 125 A | | 100 A | | 100 A | 55 kW | 63 A | 55 kW | 6419410315378 | 6419410315415 | A5 | | | 9.3 |
| KEA 8125 A5 | KEA 8125 YR A5 | 160 A | | 125 A | | 125 A | 55 kW | 80 A | 75 kW | 6419410332221 | 6419410336021 | A5 | | | 9.3 |
| KEA 8160 A5 | KEA 8160 YR A5 | 160 A | | 160 A | | 160 A | 90 kW | 100 A | 90 kW | 6419410332627 | 6419410336427 | A5 | | | 9.3 |

* 400/415 V

**240 V

STAINLESS STEEL ENCLOSED SAFETY SWITCHES / ISOLATORS 16-1600 A



- Excellent for environments where hygiene and good protection against corrosion are required
- Door interlock with defeat mechanism
- Padlockable
- Tested according to IEC 60947-3
- Also available as EMC, and EMC/EX -protected

| Enclosure type | Width mm | Height mm | Depth mm | Material | IP rating |
|----------------|----------|-----------|----------|---------------------------|-----------|
| RA2 | 120 | 160 | 77 | Stainless Steel, AISI316L | IP66 |
| RA4 | 160 | 260 | 90 | Stainless Steel, AISI316L | IP66 |
| RA5 | 300 | 420 | 120 | Stainless Steel, AISI316L | IP66 |
| R6 | 400 | 600 | 200 | Stainless Steel, AISI304 | IP65 |
| R7 | 600 | 800 | 200 | Stainless Steel, AISI304 | IP65 |
| R8 | 800 | 800 | 300 | Stainless Steel, AISI304 | IP65 |
| R9 | 800 | 1000 | 300 | Stainless Steel, AISI304 | IP65 |
| R10 | 800 | 1200 | 300 | Stainless Steel, AISI304 | IP65 |

DISCOVER MORE



Dimensional drawings:

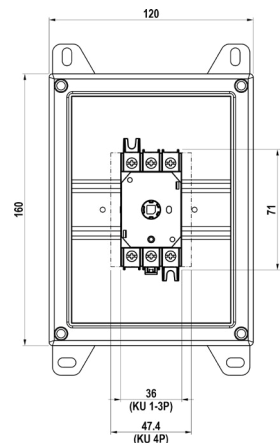
Dimensional drawings section of this catalogue

3D STEP files available:

www.katko.com/3d-models

Accessories available:

www.katko.com/products/accessories/



RA2 ENCLOSURE

STAINLESS STEEL ENCLOSED SAFETY SWITCHES / ISOLATORS 16-1600 A

| Type | | AC-21A | 400 V | AC-22A | 400 V | AC-23A | 400 V | AC-23A | 690 V | EAN code | | Enclosure | Weight kg |
|---------------------------------|-----------------------------------|--------|--------|--------|--------|--------|---------|---------------|---------------|----------|------------|-----------|-----------|
| | | | 415 V | | 415 V | | 415 V | | | 690 V | Grey/black | | |
| Grey/black | Yellow/red | le / A | le / A | le / A | P / kW | le / A | P / kW | Grey/black | Yellow/red | | | | |
| 3 poles | | | | | | | | | | | | | |
| KER 316 RA2 2XKST25M KST16M | KER 316 YR RA2 2XKST25M KST16M | 25 A | 16 A | 16 A | 7.5 kW | 16 A | 11 kW | 6419410442852 | 6419410447055 | RA2 | 0.6 | | |
| KER 325 RA2 2XKST25M KST16M | KER 325 YR RA2 2XKST25M KST16M | 40 A | 25 A | 25 A | 11 kW | 25 A | 22 kW | 6419410442920 | 6419410447123 | RA2 | 0.6 | | |
| KER 340 RA2 2XKST25M KST16M | KER 340 YR RA2 2XKST25M KST16M | 40 A | 40 A | 40 A | 22 kW | 25 A | 22 kW | 6419410442999 | 6419410447192 | RA2 | 0.6 | | |
| KER 316NO RA2 2XKST25M KST16M | KER 316NO YR RA2 2XKST25M KST16M | 16 A | 16 A | 16 A | 7.5 kW | 16 A | 11 kW | 6419410451250 | 6419410455456 | RA2 | 0.6 | | |
| KER 325NO RA2 2XKST25M KST16M | KER 325NO YR RA2 2XKST25M KST16M | 25 A | 25 A | 25 A | 11 kW | 25 A | 22 kW | 6419410451328 | 6419410455524 | RA2 | 0.6 | | |
| KER 340NO RA2 2XKST25M KST16M | KER 340NO YR RA2 2XKST25M KST16M | 40 A | 40 A | 40 A | 22 kW | 25 A | 22 kW | 6419410451397 | 6419410455593 | RA2 | 0.6 | | |
| KER 363 RA4 | KER 363 YR RA4 | 80 A | 63 A | 40 A | 22 kW | 40 A | 37 kW | 6419410343562 | 6419410343579 | RA4 | 2.4 | | |
| KER 380 RA4 | KER 380 YR RA4 | 100 A | 80 A | 63 A | 30 kW | 40 A | 37 kW | 6419410343609 | 6419410343616 | RA4 | 2.4 | | |
| KER 3100 RA4 | KER 3100 YR RA4 | 125 A | 100 A | 80 A | 45 kW | 63 A | 55 kW | 6419410315187 | 6419410315224 | RA4 | 2.5 | | |
| KER 3125 RA4 | KER 3125 YR RA4 | 160 A | 125 A | 125 A | 55 kW | 80 A | 75 kW | 6419410343647 | 6419410343654 | RA4 | 2.5 | | |
| KER 3160 RA5 | KER 3160 YR RA5 | 160 A | 160 A | 160 A | 90 kW | 100 A | 90 kW | 6419410343685 | 6419410343692 | RA5 | 7.0 | | |
| KER 3200 R6 | KER 3200 YR R6 | 200 A | 200 A | 200 A | 110 kW | 200 A | 160 kW | 6419410343722 | 6419410343739 | R6 | 16.6 | | |
| KER 3200C RA5 | KER 3200C YR RA5 | 200 A | 200 A* | 200 A | 110 kW | - | - | 6419410347805 | 6419410315224 | RA5 | 7.8 | | |
| KER 3250 R6 | KER 3250 YR R6 | 250 A | 250 A | 250 A | 132 kW | 250 A | 250 kW | 6419410343784 | 6419410343791 | R6 | 16.6 | | |
| KER 3250C RA5 | KER 3250C YR RA5 | 250 A | 250 A* | 250 A | 132 kW | - | - | 6419410347829 | 6419410347836 | RA5 | 7.8 | | |
| KER 3315 R6 | KER 3315 YR R6 | 315 A | 315 A | 315 A | 160 kW | 315 A | 315 kW | 6419410343845 | 6419410343852 | R6 | 17.5 | | |
| KER 3400 R6 | KER 3400 YR R6 | 400 A | 400 A | 400 A | 200 kW | 400 A | 355 kW | 6419410343906 | 6419410343913 | R6 | 17.5 | | |
| KER 3630 R7 | KER 3630 YR R7 | 630 A | 630 A | 630 A | 355 kW | 630 A | 630 kW | 6419410343968 | 6419410343975 | R7 | 33.2 | | |
| KER 3800 R10 | KER 3800 YR R10 | 800 A | 800 A | 800 A | 400 kW | 800 A | 800 kW | 6419410331569 | 6419410331576 | R10 | 59.0 | | |
| KER 31000 R10 | KER 31000 YR R10 | 1000 A | 1000 A | 1000 A | 560 kW | 1000 A | 800 kW | 6419410305669 | 6419410305676 | R10 | 67.3 | | |
| KER 31250 R10 | KER 31250 YR R10 | 1250 A | 1250 A | 1250 A | 710 kW | 1250 A | 1000 kW | 6419410305683 | 6419410305690 | R10 | 67.3 | | |
| 4 poles | | | | | | | | | | | | | |
| KER 416 RA2 2XKST25M KST16M | KER 416 YR RA2 2XKST25M KST16M | 25 A | 16 A | 16 A | 7.5 kW | 16 A | 11 kW | 6419410443064 | 6419410447230 | RA2 | 0.6 | | |
| KER 425 RA2 2XKST25M KST16M | KER 425 YR RA2 2XKST25M KST16M | 40 A | 25 A | 25 A | 11 kW | 25 A | 22 kW | 6419410443132 | 6419410447368 | RA2 | 0.6 | | |
| KER 440 RA2 2XKST25M KST16M | KER 440 YR RA2 2XKST25M KST16M | 40 A | 40 A | 40 A | 22 kW | 25 A | 22 kW | 6419410443200 | 6419410447406 | RA2 | 0.6 | | |
| KER 416 1NO RA2 2XKST25M KST16M | KER 416 1NOYR RA2 2XKST25M KST16M | 16 A | 16 A | 16 A | 7.5 kW | 16 A | 11 kW | 6419410451465 | 6419410455661 | RA2 | 0.7 | | |
| KER 425 1NO RA2 2XKST25M KST16M | KER 425 1NOYR RA2 2XKST25M KST16M | 25 A | 25 A | 25 A | 11 kW | 25 A | 22 kW | 6419410451533 | 6419410455739 | RA2 | 0.7 | | |
| KER 440 1NO RA2 2XKST25M KST16M | KER 440 1NOYR RA2 2XKST25M KST16M | 40 A | 40 A | 40 A | 22 kW | 25 A | 22 kW | 6419410451601 | 6419410455807 | RA2 | 0.7 | | |
| KER 463 RA4 | KER 463 YR RA4 | 80 A | 63 A | 40 A | 22 kW | 40 A | 37 kW | 6419410343586 | 6419410343593 | RA4 | 2.4 | | |
| KER 480 RA4 | KER 480 YR RA4 | 100 A | 80 A | 63 A | 30 kW | 40 A | 37 kW | 6419410343623 | 6419410343630 | RA4 | 2.4 | | |
| KER 4100 RA4 | KER 4100 YR RA4 | 125 A | 100 A | 80 A | 45 kW | 63 A | 55 kW | 6419410315194 | 6419410315231 | RA4 | 2.6 | | |
| KER 4125 RA4 | KER 4125 YR RA4 | 160 A | 125 A | 125 A | 55 kW | 80 A | 75 kW | 6419410343661 | 6419410343678 | RA4 | 2.6 | | |
| KER 4160 RA5 | KER 4160 YR RA5 | 160 A | 160 A | 160 A | 90 kW | 100 A | 90 kW | 6419410343708 | 6419410343715 | RA5 | 6.9 | | |
| KER 4200 R6 | KER 4200 YR R6 | 200 A | 200 A | 200 A | 110 kW | 200 A | 160 kW | 6419410343746 | 6419410343753 | R6 | 16.5 | | |
| KER 4200C RA5 | KER 4200C YR RA5 | 200 A | 200 A* | 200 A | 110 kW | - | - | 6419410347843 | 6419410347850 | RA5 | 7.8 | | |
| KER 4250 R6 | KER 4250 YR R6 | 250 A | 250 A | 250 A | 132 kW | 250 A | 250 kW | 6419410343807 | 6419410343814 | R6 | 16.5 | | |
| KER 4250C RA5 | KER 4250C YR RA5 | 250 A | 250 A* | 250 A | 132 kW | - | - | 6419410347867 | 6419410347874 | RA5 | 7.8 | | |
| KER 4315 R6 | KER 4315 YR R6 | 315 A | 315 A | 315 A | 160 kW | 315 A | 315 kW | 6419410343869 | 6419410343876 | R6 | 17.2 | | |
| KER 4400 R6 | KER 4400 YR R6 | 400 A | 400 A | 400 A | 200 kW | 400 A | 355 kW | 6419410343920 | 6419410343937 | R6 | 17.2 | | |
| KER 4630 R7 | KER 4630 YR R7 | 630 A | 630 A | 630 A | 355 kW | 630 A | 630 kW | 6419410344002 | 6419410344019 | R7 | 32.9 | | |
| KER 4800 R10 | KER 4800 YR R10 | 800 A | 800 A | 800 A | 400 kW | 800 A | 800 kW | 6419410331583 | 6419410324578 | R10 | 59.0 | | |
| KER 41000 R10 | KER 41000 YR R10 | 1000 A | 1000 A | 1000 A | 560 kW | 1000 A | 800 kW | 6419410363867 | 6419410363874 | R10 | 67.3 | | |
| KER 41250 R10 | KER 41250 YR R10 | 1250 A | 1250 A | 1250 A | 710 kW | 1250 A | 1000 kW | 6419410363881 | 6419410363898 | R10 | 67.4 | | |
| 6 poles | | | | | | | | | | | | | |
| KER 616 RA4 | KER 616 YR RA4 | 25 A | 16 A | 16 A | 7.5 kW | 16 A | 11 kW | 6419410345979 | 6419410345993 | RA4 | 2.4 | | |
| KER 625 RA4 | KER 625 YR RA4 | 40 A | 25 A | 25 A | 11 kW | 25 A | 22 kW | 6419410346013 | 6419410346020 | RA4 | 2.4 | | |
| KER 640 RA4 | KER 640 YR RA4 | 40 A | 40 A | 40 A | 22 kW | 25 A | 22 kW | 6419410346037 | 6419410346044 | RA4 | 2.4 | | |
| KER 663 RA4 | KER 663 YR RA4 | 80 A | 63 A | 40 A | 22 kW | 40 A | 37 kW | 6419410342930 | 6419410342299 | RA4 | 2.4 | | |
| KER 680 RA4 | KER 680 YR RA4 | 100 A | 80 A | 63 A | 30 kW | 40 A | 37 kW | 6419410342954 | 6419410342312 | RA4 | 2.4 | | |
| KER 6100 RA5 | KER 6100 YR RA5 | 125 A | 100 A | 80 A | 45 kW | 63 A | 55 kW | 6419410315200 | 6419410315248 | RA5 | 7.1 | | |
| KER 6125 RA5 | KER 6125 YR RA5 | 160 A | 125 A | 125 A | 55 kW | 80 A | 75 kW | 6419410342978 | 6419410342336 | RA5 | 7.2 | | |
| KER 6160 RA5 | KER 6160 YR RA5 | 160 A | 160 A | 160 A | 90 kW | 100 A | 90 kW | 6419410342992 | 6419410342367 | RA5 | 7.2 | | |
| KER 6200 R7 | KER 6200 YR R7 | 200 A | 200 A | 200 A | 110 kW | 200 A | 160 kW | 6419410343760 | 6419410343777 | R7 | 31.4 | | |
| KER 6250 R7 | KER 6250 YR R7 | 250 A | 250 A | 250 A | 132 kW | 250 A | 250 kW | 6419410343821 | 6419410343838 | R7 | 31.4 | | |
| KER 6315 R8 | KER 6315 YR R8 | 315 A | 315 A | 315 A | 160 kW | 315 A | 315 kW | 6419410343883 | 6419410343890 | R8 | 34.2 | | |
| KER 6400 R8 | KER 6400 YR R8 | 400 A | 400 A | 400 A | 200 kW | 400 A | 355 kW | 6419410343944 | 6419410343951 | R8 | 34.2 | | |
| 8 poles | | | | | | | | | | | | | |
| KER 816 RA4 | KER 816 YR RA4 | 25 A | 16 A | 16 A | 7.5 kW | 16 A | 11 kW | 6419410346051 | 6419410346068 | RA4 | 2.7 | | |
| KER 825 RA4 | KER 825 YR RA4 | 40 A | 25 A | 25 A | 11 kW | 25 A | 22 kW | 6419410346075 | 6419410346082 | RA4 | 2.7 | | |
| KER 840 RA4 | KER 840 YR RA4 | 40 A | 40 A | 40 A | 22 kW | 25 A | 22 kW | 6419410346099 | 6419410346112 | RA4 | 2.7 | | |
| KER 863 RA4 | KER 863 YR RA4 | 80 A | 63 A | 40 A | 22 kW | 40 A | 37 kW | 6419410342947 | 6419410342305 | RA4 | 2.7 | | |
| KER 880 RA4 | KER 880 YR RA4 | 100 A | 80 A | 63 A | 30 kW | 40 A | 37 kW | 6419410342961 | 6419410342329 | RA4 | 2.7 | | |
| KER 8100 RA5 | KER 8100 YR RA5 | 125 A | 100 A | 100 A | 55 kW | 63 A | 55 kW | 6419410315217 | 6419410315255 | RA5 | 7.3 | | |
| KER 8125 RA5 | KER 8125 YR RA5 | 160 A | 125 A | 125 A | 55 kW | 80 A | 75 kW | 6419410342985 | 6419410342350 | RA5 | 7.5 | | |
| KER 8160 RA5 | KER 8160 YR RA5 | 160 A | 160 A | 160 A | 90 kW | 100 A | 90 kW | 6419410343012 | 6419410342374 | RA5 | 7.5 | | |

* 400/415 V

STAINLESS STEEL ENCLOSED SAFETY SWITCHES / ISOLATORS 16-160A



- Designed for hygienic and heavy environments
- Easy to install and to keep clean
- Acid proof, AISI 316L
- Sloped roof for rain protection (RS-model)
- Padlockable stainless steel handle (LKR1)
- Tested according to IEC 60947-3

| Enclosure type | Width mm | Height mm | Depth mm | Material | IP rating |
|----------------|----------|-----------|----------|----------------------------|-----------|
| RA2R | 120 | 160 | 77 | Stainless Steel, AISI 316L | IP66 |
| RA2RS | 120 | 258 | 113 | Stainless Steel, AISI 316L | IP66 |
| RA4R | 160 | 260 | 90 | Stainless Steel, AISI 316L | IP66 |
| RA4RS | 160 | 369 | 127 | Stainless Steel, AISI 316L | IP66 |
| RA5R | 300 | 400 | 120 | Stainless Steel, AISI 316L | IP66 |
| RA5RS | 300 | 532 | 156 | Stainless Steel, AISI 316L | IP66 |

| Type | | 400 V | | 415 V | | 415 V | | 415 V | | 690 V | | EAN code | | Weight kg | |
|------------------------------|-------------------------------|--------|-------------------|--------|--------|--------|--------|---------------|---------------|--------|-------|--------------------|-----------------|--------------------|-----------------|
| Without angled top | With angled top | AC-21A | AC-22A | AC-23A | AC-23A | AC-23A | AC-23A | 690 V | 690 V | AC-23A | 690 V | Without angled top | With angled top | Without angled top | With angled top |
| | | 415 V | 415 V | 415 V | 415 V | 415 V | 415 V | 690 V | 690 V | 690 V | 690 V | P / kW | P / kW | le / A | le / A |
| 3 poles | | | | | | | | | | | | | | | |
| KER 316 RA2R 2XKST25M KST16M | KER 316 RA2RS 2XKST25M KST16M | 16 A | 16 A | 16 A | 7.5 kW | 16 A | 11 kW | 6419410306550 | 6419410306611 | 1.5 | 1.9 | | | | |
| KER 325 RA2R 2XKST25M KST16M | KER 325 RA2RS 2XKST25M KST16M | 25 A | 25 A | 25 A | 11 kW | 25 A | 22 kW | 6419410306567 | 6419410306628 | 1.5 | 1.9 | | | | |
| KER 340 RA2R 2XKST25M KST16M | KER 340 RA2RS 2XKST25M KST16M | 40 A | 40 A | 40 A | 22 kW | 25 A | 22 kW | 6419410306574 | 6419410306635 | 1.5 | 1.9 | | | | |
| KER 363 RA4R | KER 363 RA4RS | 80 A | 63 A | 40 A | 22 kW | 40 A | 37 kW | 6419410306703 | 6419410307052 | 2.4 | 3.2 | | | | |
| KER 380 RA4R | KER 380 RA4RS | 100 A | 80 A | 63 A | 30 kW | 40 A | 37 kW | 6419410306710 | 6419410307069 | 2.4 | 3.2 | | | | |
| KER 3125 RA5R | KER 3125 RA5RS | 160 A | 125 A | 125 A | 55 kW | 80 A | 75 kW | 6419410357828 | 6419410357835 | 7.0 | 8.7 | | | | |
| KER 3160 RA5R | KER 3160 RA5RS | 160 A | 160 A | 160 A | 90 kW | 100 A | 90 kW | 6419410357842 | 6419410357859 | 7.0 | 8.7 | | | | |
| KER 3200C RA5R | KER 3200C RA5RS | 200 A | 200 A (400/415 V) | 200 A | 110 kW | - | - | 6419410255957 | 6419410211656 | 4.2 | 9.5 | | | | |
| 4 poles | | | | | | | | | | | | | | | |
| KER 416 RA2R 2XKST25M KST16M | KER 416 RA2RS 2XKST25M KST16M | 16 A | 16 A | 16 A | 7.5 kW | 16 A | 11 kW | 6419410306581 | 6419410306642 | 1.5 | 1.9 | | | | |
| KER 425 RA2R 2XKST25M KST16M | KER 425 RA2RS 2XKST25M KST16M | 25 A | 25 A | 25 A | 11 kW | 25 A | 22 kW | 6419410306598 | 6419410306659 | 1.5 | 1.9 | | | | |
| KER 440 RA2R 2XKST25M KST16M | KER 440 RA2RS 2XKST25M KST16M | 40 A | 40 A | 40 A | 22 kW | 25 A | 22 kW | 6419410306604 | 6419410306666 | 1.5 | 1.9 | | | | |
| KER 463 RA4R | KER 463 RA4RS | 80 A | 63 A | 40 A | 22 kW | 40 A | 37 kW | 6419410306727 | 6419410307076 | 2.4 | 3.2 | | | | |
| KER 480 RA4R | KER 480 RA4RS | 100 A | 80 A | 63 A | 30 kW | 40 A | 37 kW | 6419410306734 | 6419410307083 | 2.4 | 3.2 | | | | |
| KER 4125 RA5R | KER 4125 RA5RS | 160 A | 125 A | 125 A | 55 kW | 80 A | 75 kW | 6419410305720 | 6419410305737 | 6.9 | 8.6 | | | | |
| KER 4160 RA5R | KER 4160 RA5RS | 160 A | 160 A | 160 A | 90 kW | 100 A | 90 kW | 6419410305744 | 6419410305751 | 6.9 | 8.6 | | | | |
| 6 poles | | | | | | | | | | | | | | | |
| KER 616 RA4R | KER 616 RA4RS | 16 A | 16 A | 16 A | 7.5 kW | 16 A | 11 kW | 6419410306741 | 6419410348031 | 2.4 | 3.2 | | | | |
| KER 625 RA4R | KER 625 RA4RS | 25 A | 25 A | 25 A | 11 kW | 25 A | 22 kW | 6419410306758 | 6419410348048 | 2.4 | 3.2 | | | | |
| KER 640 RA4R | KER 640 RA4RS | 40 A | 40 A | 40 A | 22 kW | 25 A | 22 kW | 6419410306765 | 6419410348055 | 2.4 | 3.2 | | | | |
| KER 663 RA4R | KER 663 RA4RS | 80 A | 63 A | 40 A | 22 kW | 40 A | 37 kW | 6419410306772 | 6419410348062 | 2.4 | 3.2 | | | | |
| KER 680 RA4R | KER 680 RA4RS | 100 A | 80 A | 63 A | 30 kW | 40 A | 37 kW | 6419410306789 | 6419410348079 | 2.4 | 3.2 | | | | |
| KER 6125 RA5R | KER 6125 RA5RS | 160 A | 125 A | 125 A | 55 kW | 80 A | 75 kW | 6419410306680 | 6419410348086 | 7.2 | 8.9 | | | | |

DISCOVER MORE



Dimensional drawings:

Dimensional drawings section of this catalogue

3D STEP files available:

www.katko.com/3d-models

Accessories available:

www.katko.com/products/accessories/



 **KATKO**

ON |

OFF



SAFETY SWITCH

STAINLESS STEEL ENCLOSED SAFETY SWITCHES / ISOLATORS IP69K 16-125A



- Excellent for environments where hygiene and good protection against corrosion are required
- Door interlock with defeat mechanism
- LK11 handle (Black or yellow/red)
- Padlockable

| Enclosure type | Width mm | Height mm | Depth mm | Material | IP rating |
|----------------|----------|-----------|----------|---------------------------|-----------|
| RA2 | 120 | 160 | 77 | Stainless Steel, AISI316L | IP69K |
| RA4 | 160 | 260 | 90 | Stainless Steel, AISI316L | IP69K |

| Type | AC-22A | 400 V | | AC-23A | 400 V | | 690 V | EAN code | | Enclosure | Weight |
|-----------------------------------|-------------------------------------|--------|--------|--------|--------|--------|---------------|---------------|------------|-----------|--------|
| | | 415 V | 690 V | | 415 V | AC-23A | | Black | Yellow/Red | | |
| | le / A | le / A | P / kW | le / A | P / kW | Black | Yellow/Red | | kg | | |
| 3 poles | | | | | | | | | | | |
| KER 316 IP69K RA2 2XKST25M KST16M | KER 316 YRIP69K RA2 2XKST25M KST16M | 25 A | 16 A | 7.5 kW | 16 A | 11 kW | 6419410346129 | 6419410346136 | RA2 | 0.7 | |
| KER 325 IP69K RA2 2XKST25M KST16M | KER 325 YRIP69K RA2 2XKST25M KST16M | 40 A | 25 A | 11 kW | 25 A | 22 kW | 6419410346143 | 6419410346150 | RA2 | 0.7 | |
| KER 340 IP69K RA2 2XKST25M KST16M | KER 340 YRIP69K RA2 2XKST25M KST16M | 40 A | 40 A | 22 kW | 25 A | 22 kW | 6419410346167 | 6419410346174 | RA2 | 0.7 | |
| KER 363 IP69K RA4 | KER 363 YRIP69K RA4 | 63 A | 40 A | 22 kW | 40 A | 37 kW | 6419410325940 | 6419410326183 | RA4 | 2.5 | |
| KER 380 IP69K RA4 | KER 380 YRIP69K RA4 | 80 A | 63 A | 30 kW | 40 A | 37 kW | 6419410325957 | 6419410326190 | RA4 | 2.5 | |
| KER 3100 IP69K RA4 | KER 3100 YRIP69K RA4 | 100 A | 80 A | 45 kW | 63 A | 55 kW | 6419410325964 | 6419410326206 | RA4 | 2.6 | |
| KER 3125 IP69K RA4 | KER 3125 YRIP69K RA4 | 125 A | 125 A | 55 kW | 80 A | 75 kW | 6419410325971 | 6419410326213 | RA4 | 2.6 | |
| 4 poles | | | | | | | | | | | |
| KER 416 IP69K RA2 2XKST25M KST16M | KER 416 YRIP69K RA2 2XKST25M KST16M | 25 A | 16 A | 7.5 kW | 16 A | 11 kW | 6419410346181 | 6419410346198 | RA2 | 0.7 | |
| KER 425 IP69K RA2 2XKST25M KST16M | KER 425 YRIP69K RA2 2XKST25M KST16M | 40 A | 25 A | 11 kW | 25 A | 22 kW | 6419410346211 | 6419410346228 | RA2 | 0.7 | |
| KER 440 IP69K RA2 2XKST25M KST16M | KER 440 YRIP69K RA2 2XKST25M KST16M | 40 A | 40 A | 22 kW | 25 A | 22 kW | 6419410346235 | 6419410346242 | RA2 | 0.7 | |
| KER 463 IP69K RA4 | KER 463 YRIP69K RA4 | 63 A | 40 A | 22 kW | 40 A | 37 kW | 6419410326015 | 6419410326251 | RA4 | 2.4 | |
| KER 480 IP69K RA4 | KER 480 YRIP69K RA4 | 80 A | 63 A | 30 kW | 40 A | 37 kW | 6419410326022 | 6419410326268 | RA4 | 2.4 | |
| KER 4100 IP69K RA4 | KER 4100 YRIP69K RA4 | 100 A | 80 A | 45 kW | 63 A | 55 kW | 6419410326039 | 6419410326275 | RA4 | 2.6 | |
| KER 4125 IP69K RA4 | KER 4125 YRIP69K RA4 | 125 A | 125 A | 55 kW | 80 A | 75 kW | 6419410326046 | 6419410326282 | RA4 | 2.6 | |
| 6 poles | | | | | | | | | | | |
| KER 616 IP69K RA4 | KER 616 YRIP69K RA4 | 25 A | 16 A | 7.5 kW | 16 A | 11 kW | 6419410346259 | 6419410346266 | RA4 | 2.5 | |
| KER 625 IP69K RA4 | KER 625 YRIP69K RA4 | 40 A | 25 A | 11 kW | 25 A | 22 kW | 6419410346273 | 6419410346280 | RA4 | 2.5 | |
| KER 640 IP69K RA4 | KER 640 YRIP69K RA4 | 40 A | 40 A | 22 kW | 25 A | 22 kW | 6419410346297 | 6419410346310 | RA4 | 2.5 | |
| KER 663 IP69K RA4 | KER 663 YRIP69K RA4 | 63 A | 40 A | 22 kW | 40 A | 37 kW | 6419410326084 | 6419410326329 | RA4 | 2.5 | |
| KER 680 IP69K RA4 | KER 680 YRIP69K RA4 | 80 A | 63 A | 30 kW | 40 A | 37 kW | 6419410326091 | 6419410326336 | RA4 | 2.5 | |
| 8 poles | | | | | | | | | | | |
| KER 816 IP69K RA4 | KER 816 YRIP69K RA4 | 25 A | 16 A | 7.5 kW | 16 A | 11 kW | 6419410346327 | 6419410346334 | RA4 | 2.8 | |
| KER 825 IP69K RA4 | KER 825 YRIP69K RA4 | 40 A | 25 A | 11 kW | 25 A | 22 kW | 6419410346341 | 6419410346358 | RA4 | 2.8 | |
| KER 840 IP69K RA4 | KER 840 YRIP69K RA4 | 40 A | 40 A | 22 kW | 25 A | 22 kW | 6419410346365 | 6419410346372 | RA4 | 2.8 | |
| KER 863 IP69K RA4 | KER 863 YRIP69K RA4 | 63 A | 40 A | 22 kW | 40 A | 37 kW | 6419410326138 | 6419410326374 | RA4 | 2.8 | |
| KER 880 IP69K RA4 | KER 880 YRIP69K RA4 | 80 A | 63 A | 30 kW | 40 A | 37 kW | 6419410326145 | 6419410326381 | RA4 | 2.8 | |

STAINLESS STEEL ENCLOSED SAFETY SWITCHES / ISOLATORS IP69K WITH SLOPED ROOF 16-125A



- Excellent for environments where hygiene and good protection against corrosion are required
- Sloped roof for rain protection (S-model)
- Door interlock with defeat mechanism
- LK11 handle (Black or yellow/red)
- Padlockable

| Enclosure type | Width mm | Height mm | Depth mm | Material | IP rating |
|----------------|----------|-----------|----------|---------------------------|-----------|
| RA2S | 120 | 160 | 113 | Stainless Steel, AISI316L | IP69K |
| RA4S | 160 | 260 | 90 | Stainless Steel, AISI316L | IP69K |

| Type | | AC-22A | 400 V | AC-23A | 400 V | AC-23A | 690 V | EAN code | | Enclosure | Weight |
|------------------------------------|--------------------------------------|--------|--------|--------|--------|--------|---------------|---------------|------------|-----------|--------|
| | | | 415 V | | 415 V | | | Black | Yellow/Red | | |
| | | le / A | le / A | P / kW | le / A | P / kW | Black | Yellow/Red | | kg | |
| 3 poles | | | | | | | | | | | |
| KER 316 IP69K RA2S 2XKST25M KST16M | KER 316 YRIP69K RA2S 2XKST25M KST16M | 25 A | 16 A | 7.5 kW | 16 A | 11 kW | 6419410346389 | 6419410346396 | RA2S | 1.9 | |
| KER 325 IP69K RA2S 2XKST25M KST16M | KER 325 YRIP69K RA2S 2XKST25M KST16M | 40 A | 25 A | 11 kW | 25 A | 22 kW | 6419410346419 | 6419410346426 | RA2S | 1.9 | |
| KER 340 IP69K RA2S 2XKST25M KST16M | KER 340 YRIP69K RA2S 2XKST25M KST16M | 40 A | 40 A | 22 kW | 25 A | 22 kW | 6419410346433 | 6419410346440 | RA2S | 1.9 | |
| KER 363 IP69K RA4S | KER 363 YRIP69K RA4S | 63 A | 40 A | 22 kW | 40 A | 37 kW | 6419410349755 | 6419410349892 | RA4S | 3.2 | |
| KER 380 IP69K RA4S | KER 380 YRIP69K RA4S | 80 A | 63 A | 30 kW | 40 A | 37 kW | 6419410349762 | 6419410349908 | RA4S | 3.2 | |
| KER 3100 IP69K RA4S | KER 3100 YRIP69K RA4S | 100 A | 80 A | 45 kW | 63 A | 55 kW | 6419410349779 | 6419410349915 | RA4S | 3.4 | |
| KER 3125 IP69K RA4S | KER 3125 YRIP69K RA4S | 125 A | 125 A | 55 kW | 80 A | 75 kW | 6419410349786 | 6419410349922 | RA4S | 3.4 | |
| 4 poles | | | | | | | | | | | |
| KER 416 IP69K RA2S 2XKST25M KST16M | KER 416 YRIP69K RA2S 2XKST25M KST16M | 25 A | 16 A | 7.5 kW | 16 A | 11 kW | 6419410346457 | 6419410346464 | RA2S | 1.9 | |
| KER 425 IP69K RA2S 2XKST25M KST16M | KER 425 YRIP69K RA2S 2XKST25M KST16M | 40 A | 25 A | 11 kW | 25 A | 22 kW | 6419410346471 | 6419410346488 | RA2S | 1.9 | |
| KER 440 IP69K RA2S 2XKST25M KST16M | KER 440 YRIP69K RA2S 2XKST25M KST16M | 40 A | 40 A | 22 kW | 25 A | 22 kW | 6419410346495 | 6419410346501 | RA2S | 1.9 | |
| KER 463 IP69K RA4S | KER 463 YRIP69K RA4S | 63 A | 40 A | 22 kW | 40 A | 37 kW | 6419410349823 | 6419410349960 | RA4S | 3.2 | |
| KER 480 IP69K RA4S | KER 480 YRIP69K RA4S | 80 A | 63 A | 30 kW | 40 A | 37 kW | 6419410349830 | 6419410349977 | RA4S | 3.2 | |
| KER 4100 IP69K RA4S | KER 4100 YRIP69K RA4S | 100 A | 80 A | 45 kW | 63 A | 55 kW | 6419410349847 | 6419410349984 | RA4S | 3.4 | |
| KER 4125 IP69K RA4S | KER 4125 YRIP69K RA4S | 125 A | 125 A | 55 kW | 80 A | 75 kW | 6419410349854 | 6419410349991 | RA4S | 3.4 | |

DISCOVER MORE



Dimensional drawings:

Dimensional drawings section of this catalogue

3D STEP files available:

www.katko.com/3d-models

Accessories available:

www.katko.com/products/accessories/

ENCLOSED SIDE OPERATED POLYCARBONATE SWITCHES 16A & 25A



- Fully rated Load Break Switch
- IP67 without cable glands, IP65 with cable glands.
- Good resistance against UV and many chemicals
- Membrane gasket cable entries with strain relief as standard 2 x 20mm on top, 2 x 20mm on bottom and 2 x 15mm on base.
- Wall mounting with membrane gaskets
- Wall mounting dimensions: 90,0 x 62,0
- Large 1,5 - 16 mm² cable terminals
- Handle sealable to on-position
- Enclosure can be sealed in any position
- Available 2, 3, 4P and with auxiliary contact (S)
- Large 1,5 - 16 mm² Neutral and earth terminals on 3P switch, earth on 2P and 4P switches
- Door interlock
- Padlockable handle to off-position

| Enclosure type | Width mm | Height mm | Depth mm | Material | IP rating |
|----------------|----------|-----------|----------|-------------------|-----------|
| M1 | 83 | 128 | 55,6 | Polycarbonate, PC | IP67 |

| Type | | AC-23A / 400 V | AC-23A / 690 V | Poles | Enclosure | EAN code | | Weight kg |
|-------------|----------------|----------------|----------------|-------|-----------|---------------|---------------|-----------|
| Grey | Y/R | | | | | Grey | Y/R | |
| KSM 216 M1 | KSM 216 YR M1 | 16 A/7,5 kW | -- | 2P | M1 | 6419410328347 | 6419410328170 | 0.3 |
| KSM 316 M1 | KSM 316 YR M1 | 16 A/7,5 kW | -- | 3P | M1 | 6419410328354 | 6419410328507 | 0.3 |
| KSM 416 M1 | KSM 416 YR M1 | 16 A/7,5 kW | -- | 4P | M1 | 6419410328361 | 6419410328187 | 0.3 |
| KSM 316S M1 | KSM 316S YR M1 | 16 A/7,5 kW | -- | 3P* | M1 | 6419410328378 | 6419410328606 | 0.3 |
| KSM 225 M1 | KSM 225 YR M1 | 25 A / 11 kW | -- | 2P | M1 | 6419410328385 | 6419410328460 | 0.3 |
| KSM 325 M1 | KSM 325 YR M1 | 25 A / 11 kW | -- | 3P | M1 | 6419410328392 | 6419410328590 | 0.3 |
| KSM 425 M1 | KSM 425 YR M1 | 25 A / 11 kW | -- | 4P | M1 | 6419410328408 | 6419410328484 | 0.3 |
| KSM 325S M1 | KSM 325S YR M1 | 25 A / 11 kW | -- | 3P* | M1 | 6419410328415 | 6419410328613 | 0.3 |

*with auxiliary contact, Y/R=yellow/red

DISCOVER MORE



Dimensional drawings:

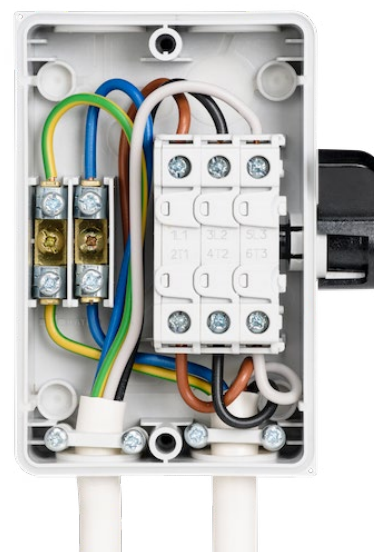
Dimensional drawings section of this catalogue

3D STEP files available:

www.katko.com/3d-models

Accessories available:

www.katko.com/products/accessories/



FIRERATED ALUMINIUM ENCLOSED SAFETY SWITCHES / ISOLATORS 16-200A



- Excellent for hard weather conditions
- F200 3H (FR) / F300 2H (FR3)
- Good corrosion and UV resistance
- Door interlock with defeat mechanism
- ON-locking facility as option
- Padlockable
- Tested according to IEC 60947-3

| Enclosure type | Width mm | Height mm | Depth mm | Material | IP rating |
|----------------|----------|-----------|----------|----------|-----------|
| A2 | 104 | 158,5 | 79,5 | Aluminum | IP66 |
| A4 | 162 | 262 | 108 | Aluminum | IP66 |
| A5 | 300 | 400 | 170 | Aluminum | IP65 |
| A6 | 400 | 500 | 170 | Aluminum | IP65 |

| Type | | AC-21A | 400 V | AC-22A | 400 V | AC-23A | 400 V | AC-23A | 690 V | EAN code | | Enclosure | Weight kg |
|-----------------|------------------|--------|-------|--------|-------|--------|--------|----------|----------|---------------|---------------|-----------|-----------|
| F200 3H | F300 2H | | 415 V | | 415 V | | 415 V | | | F200 | F300 | | |
| | | le / A | 690 V | le / A | 690 V | le / A | P / kW | le / A** | P / kW** | | | | |
| 3 poles | | | | | | | | | | | | | |
| KEA 316 FR A2 | KEA 316 FR3 A2 | 25 A | | 16 A | | 16 A | 7.5 kW | 16 A | 11 kW | 6419410333013 | 6419410333396 | A2 | 1.1 |
| KEA 325 FR A2 | KEA 325 FR3 A2 | 40 A | | 25 A | | 25 A | 11 kW | 25 A | 22 kW | 6419410333044 | 6419410333426 | A2 | 1.1 |
| KEA 340 FR A2 | KEA 340 FR3 A2 | 63 A | | 40 A | | 40 A | 22 kW | 32 A | 30 kW | 6419410305317 | 6419410333457 | A2 | 1.1 |
| KEA 363 FR A4 | KEA 363 FR3 A4 | 80 A | | 63 A | | 40 A | 22 kW | 40 A | 37 kW | 6419410333105 | 6419410333488 | A4 | 2.6 |
| KEA 380 FR A4 | KEA 380 FR3 A4 | 100 A | | 80 A | | 63 A | 30 kW | 40 A | 37 kW | 6419410305331 | 6419410333518 | A4 | 2.6 |
| KEA 3125C FR A4 | | 160 A | | 125 A | | 125 A | 55 kW | 80 A | 75 kW | 6419410300466 | | A4 | 2.7 |
| | KEA 3125 FR3 A5 | 160 A | | 125 A* | | 100 A | 55 kW | 80 A | 55 kW | | 6419410333549 | A5 | 9.3 |
| KEA 3160C FR A4 | | 160 A | | 160 A | | 160 A | 90 kW | 100 A | 90 kW | 6419410300473 | | A4 | 2.7 |
| | KEA 3160 FR3 A5 | 200 A | | 160 A* | | 135 A | 75 kW | 125 A | 90 kW | | 6419410333556 | A5 | 9.3 |
| KEA 3200C FR A5 | KEA 3200C FR3 A5 | 200 A | | 200 A* | | 200 A | 110 kW | - | - | 6419410333693 | 6419410333563 | A4 | 9.4 |
| 4 poles | | | | | | | | | | | | | |
| KEA 416 FR A2 | KEA 416 FR3 A2 | 25 A | | 16 A | | 16 A | 7.5 kW | 16 A | 11 kW | 6419410333020 | 6419410333402 | A2 | 1.1 |
| KEA 425 FR A2 | KEA 425 FR3 A2 | 40 A | | 25 A | | 25 A | 11 kW | 25 A | 22 kW | 6419410333051 | 6419410333433 | A2 | 1.1 |
| KEA 440 FR A2 | KEA 440 FR3 A2 | 63 A | | 40 A | | 40 A | 22 kW | 32 A | 30 kW | 6419410305362 | 6419410333464 | A2 | 1.1 |
| KEA 463 FR A4 | KEA 463 FR3 A4 | 80 A | | 63 A | | 40 A | 22 kW | 40 A | 37 kW | 6419410305379 | 6419410333495 | A4 | 2.5 |
| KEA 480 FR A4 | KEA 480 FR3 A4 | 100 A | | 80 A | | 63 A | 30 kW | 40 A | 37 kW | 6419410305386 | 6419410333525 | A4 | 2.5 |
| KEA 4125C FR A4 | | 160 A | | 125 A | | 125 A | 55 kW | 80 A | 75 kW | 6419410300480 | | A4 | 2.7 |
| | KEA 4125 FR3 A5 | 160 A | | 125 A* | | 100 A | 55 kW | 80 A | 55 kW | | 6419410333570 | A5 | 9.3 |
| KEA 4160C FR A4 | | 160 A | | 160 A | | 160 A | 90 kW | 100 A | 90 kW | 6419410300497 | | A4 | 2.7 |
| | KEA 4160 FR3 A5 | 200 A | | 160 A* | | 135 A | 75 kW | 125 A | 90 kW | | 6419410333587 | A5 | 9.3 |
| KEA 4200C FR A5 | KEA 4200C FR3 A5 | 200 A | | 200 A* | | 200 A | 110 kW | - | - | 6419410333723 | 6419410333594 | A5 | 9.4 |
| 6 poles | | | | | | | | | | | | | |
| KEA 616 FR A4 | KEA 616 FR3 A4 | 25 A | | 16 A | | 16 A | 7.5 kW | 16 A | 11 kW | 6419410333037 | 6419410333419 | A4 | 2.6 |
| KEA 625 FR A4 | KEA 625 FR3 A4 | 40 A | | 25 A | | 25 A | 11 kW | 25 A | 22 kW | 6419410333068 | 6419410333440 | A4 | 2.6 |
| KEA 640 FR A4 | KEA 640 FR3 A4 | 63 A | | 40 A | | 40 A | 22 kW | 32 A | 30 kW | 6419410305416 | 6419410333471 | A4 | 2.6 |
| KEA 663 FR A4 | KEA 663 FR3 A4 | 80 A | | 63 A | | 40 A | 22 kW | 40 A | 37 kW | 6419410333129 | 6419410333501 | A4 | 2.6 |
| KEA 680 FR A4 | KEA 680 FR3 A4 | 100 A | | 80 A | | 63 A | 30 kW | 40 A | 37 kW | 6419410305430 | 6419410333532 | A4 | 2.6 |
| KEA 6125C FR A5 | | 160 A | | 125 A | | 125 A | 55 kW | 80 A | 75 kW | 6419410300510 | | A5 | 8.8 |
| | KEA 6125 FR3 A6 | 160 A | | 125 A* | | 100 A | 55 kW | 80 A | 55 kW | | 6419410333600 | A6 | 10.7 |
| KEA 6160C FR A5 | | 160 A | | 160 A | | 160 A | 90 kW | 100 A | 90 kW | 6419410300527 | | A5 | 8.8 |
| | KEA 6160 FR3 A6 | 200 A | | 160 A* | | 135 A | 75 kW | 125 A | 90 kW | | 6419410333617 | A6 | 10.7 |
| KEA 6200C FR A6 | KEA 6200C FR3 A6 | 200 A | | 200 A* | | 200 A | 110 kW | - | - | 6419410333754 | 6419410333624 | A6 | 10.9 |
| 8 poles | | | | | | | | | | | | | |
| KEA 816 FR A4 | KEA 816 FR3 A4 | 25 A | | 16 A | | 16 A | 7.5 kW | 16 A | 11 kW | 6419410305447 | 6419410333631 | A4 | 2.9 |
| KEA 825 FR A4 | KEA 825 FR3 A4 | 40 A | | 25 A | | 25 A | 11 kW | 25 A | 22 kW | 6419410305454 | 6419410333648 | A4 | 2.9 |
| KEA 840 FR A4 | KEA 840 FR3 A4 | 63 A | | 40 A | | 40 A | 22 kW | 32 A | 30 kW | 6419410305461 | 6419410333655 | A4 | 2.9 |
| KEA 863 FR A4 | KEA 863 FR3 A4 | 80 A | | 63 A | | 40 A | 22 kW | 40 A | 37 kW | 6419410305478 | 6419410333662 | A4 | 2.9 |
| KEA 880 FR A4 | KEA 880 FR3 A4 | 100 A | | 80 A | | 63 A | 30 kW | 40 A | 37 kW | 6419410305485 | 6419410333679 | A4 | 2.9 |
| KEA 8125C FR A5 | | 160 A | | 125 A | | 125 A | 55 kW | 80 A | 75 kW | 6419410300534 | | A5 | 9.1 |
| KEA 8160C FR A5 | | 160 A | | 160 A | | 160 A | 90 kW | 100 A | 90 kW | 6419410300541 | | A5 | 9.1 |

* 400/415 V

** Does not apply to FR3/F300 2H models

DISCOVER MORE

**Dimensional drawings:**

Dimensional drawings section of this catalogue

3D STEP files available:www.katko.com/3d-models**Accessories available:**www.katko.com/products/accessories/

SIDE OPERATED SWITCHES POLYCARBONATE ENCLOSED 16-40 A



- Available in grey/black, yellow/red or fireman red
- Good resistance against UV and many chemicals
- Self-extinguishing material and excellent insulating properties
- Fully rated Load Break Switch breaking capacity of 8 x AC23 rating
- Cable entries 2 x M20/M25 as standard on the top and bottom and M20 on the base
- Mounting holes: 118,0 x 84,0
- Padlockable handle in 0-position and also available in 1-position
- Large cable terminals 1,5 - 16 mm²
- KE handle on right side, KEF handle on left side
- Auxiliary contact (normally open, NO) available ONLY when specifically orderer
- Tested according to IEC 60947-3

| Enclosure type | Width mm | Height mm | Depth mm | Material | IP rating |
|----------------|----------|-----------|----------|-------------------|-----------|
| M2S | 96,4 | 130,4 | 106 | Polycarbonate, PC | IP66 |

| Type | | AC-21A | 400 V | AC-22A | 400 V | AC-23A | 415 V | AC-23A | 690 V | EAN code | | Enclosure | Weight kg |
|------------------------|-----------------------|--------|--------|--------|--------|--------|--------|---------------|---------------|------------|------------|-----------|-----------|
| | | | 415 V | | 415 V | | 690 V | | | Grey/black | Yellow/red | | |
| Grey/black | Yellow/red | le / A | le / A | le / A | P / kW | le / A | P / kW | Grey/black | Yellow/red | | | | |
| 3 poles | | | | | | | | | | | | | |
| KE 316 M M2S 2XM25M | KE 316 MYR M2S 2XM25M | 16 A | 16 A | 16 A | 7.5 kW | 16 A | 11 kW | 6419410304006 | 6419410304129 | M2S | 0.4 | | |
| KE 325 M M2S 2XM25M | KE 325 MYR M2S 2XM25M | 25 A | 25 A | 25 A | 11 kW | 25 A | 22 kW | 6419410304013 | 6419410304136 | M2S | 0.4 | | |
| KE 340 M M2S 2XM25M | KE 340 MYR M2S 2XM25M | 40 A | 40 A | 40 A | 22 kW | 25 A | 22 kW | 6419410304020 | 6419410304143 | M2S | 0.4 | | |
| 4 poles | | | | | | | | | | | | | |
| KE 416 M M2S 2XM25M | KE 416 MYR M2S 2XM25M | 16 A | 16 A | 16 A | 7.5 kW | 16 A | 11 kW | 6419410304037 | 6419410304150 | M2S | 0.4 | | |
| KE 425 M M2S 2XM25M | KE 425 MYR M2S 2XM25M | 25 A | 25 A | 25 A | 11 kW | 25 A | 22 kW | 6419410304044 | 6419410304167 | M2S | 0.4 | | |
| KE 440 M M2S 2XM25M | KE 440 MYR M2S 2XM25M | 40 A | 40 A | 40 A | 22 kW | 25 A | 22 kW | 6419410304051 | 6419410304174 | M2S | 0.4 | | |
| Fireman version | | | | | | | | | | | | | |
| 3 poles | | | | | | | | | | | | | |
| KEF 316 M M2S | | 16 A | 16 A | 16 A | 7.5 kW | 16 A | 11 kW | 6419410304365 | | M2S | 0.4 | | |
| KEF 325 M M2S | | 25 A | 25 A | 25 A | 11 kW | 25 A | 22 kW | 6419410304372 | | M2S | 0.4 | | |
| KEF 340 M M2S | | 40 A | 40 A | 40 A | 22 kW | 25 A | 22 kW | 6419410304389 | | M2S | 0.4 | | |
| 4 poles | | | | | | | | | | | | | |
| KEF 416 M M2S | | 16 A | 16 A | 16 A | 7.5 kW | 16 A | 11 kW | 6419410304396 | | M2S | 0.4 | | |
| KEF 425 M M2S | | 25 A | 25 A | 25 A | 11 kW | 25 A | 22 kW | 6419410304402 | | M2S | 0.4 | | |
| KEF 440 M M2S | | 40 A | 40 A | 40 A | 22 kW | 25 A | 22 kW | 6419410304419 | | M2S | 0.4 | | |

DISCOVER MORE



Dimensional drawings:

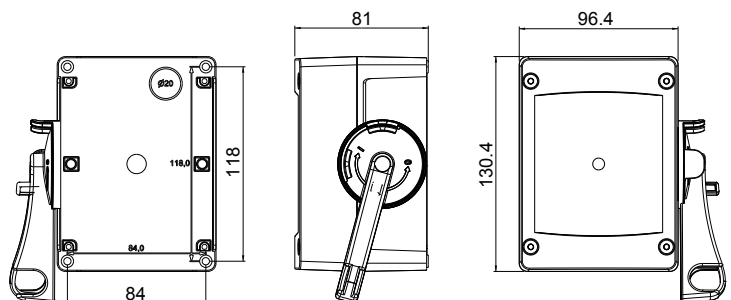
Dimensional drawings section of this catalogue

3D STEP files available:

www.katko.com/3d-models

Accessories available:

www.katko.com/products/accessories/



SIDE OPERATED SWITCHES ALUMINIUM ENCLOSED 16-40 A



- Available in grey/black, yellow/red or fireman red
- Good resistance against UV and many chemicals
- Withstands high impact and has wide operating temperature
- Fully rated Load Break Switch breaking capacity of 8 x AC23 rating
- Cable entries: 2 x M25 as standard on the top and bottom
- Mounting holes: 134,0 x 82,0
- Padlockable handle in 0-position and also available in 1-position
- EMC shielding with EMC glands as an option
- Large cable terminals 1,5 - 16 mm²
- KE handle on right side, KEF handle on left side
- Auxiliary contact (normally open, NO) available ONLY when specifically ordered
- Tested according to IEC 60947-3

| Enclosure type | Width mm | Height mm | Depth mm | Material | IP rating |
|----------------|----------|-----------|----------|----------|-----------|
| A2S | 104 | 158,5 | 79,5 | Aluminum | IP66 |

| Type | | AC-21A | | AC-22A | | AC-23A | | AC-23A | 690 V | EAN code | | Enclosure | Weight kg |
|----------------------------|------------------------------|--------|--------|--------|--------|--------|--------|--------|--------|---------------|---------------|-----------|-----------|
| | | 400 V | 415 V | 400 V | 415 V | 400 V | 415 V | | | Grey/black | Yellow/red | | |
| Grey/black | Yellow/red | Ie / A | Ie / A | Ie / A | Ie / A | Ie / A | P / kW | Ie / A | P / kW | Grey/black | Yellow/red | | |
| 3 poles | | | | | | | | | | | | | |
| KE 316 A A2S 2XM25M KST16M | KE 316 AYR A2S 2XM25M KST16M | 16 A | 16 A | 16 A | 16 A | 16 A | 7.5 kW | 16 A | 11 kW | 6419410304488 | 6419410304600 | A2S | 1.8 |
| KE 325 A A2S 2XM25M KST16M | KE 325 AYR A2S 2XM25M KST16M | 25 A | 25 A | 25 A | 25 A | 25 A | 11 kW | 25 A | 22 kW | 6419410304495 | 6419410304617 | A2S | 1.8 |
| KE 340 A A2S 2XM25M KST16M | KE 340 AYR A2S 2XM25M KST16M | 40 A | 40 A | 40 A | 40 A | 40 A | 22 kW | 25 A | 22 kW | 6419410304501 | 6419410304624 | A2S | 1.8 |
| 4 poles | | | | | | | | | | | | | |
| KE 416 A A2S 2XM25M KST16M | KE 416 AYR A2S 2XM25M KST16M | 16 A | 16 A | 16 A | 16 A | 16 A | 7.5 kW | 16 A | 11 kW | 6419410304518 | 6419410304631 | A2S | 1.8 |
| KE 425 A A2S 2XM25M KST16M | KE 425 AYR A2S 2XM25M KST16M | 25 A | 25 A | 25 A | 25 A | 25 A | 11 kW | 25 A | 22 kW | 6419410304525 | 6419410304648 | A2S | 1.8 |
| KE 440 A A2S 2XM25M KST16M | KE 440 AYR A2S 2XM25M KST16M | 40 A | 40 A | 40 A | 40 A | 40 A | 22 kW | 25 A | 22 kW | 6419410304532 | 6419410304655 | A2S | 1.8 |
| Fireman version | | | | | | | | | | | | | |
| 3 poles | | | | | | | | | | | | | |
| KEF 316 A A2S | | 16 A | 16 A | 16 A | 16 A | 16 A | 7.5 kW | 16 A | 11 kW | 6419410305003 | | A2S | 1.4 |
| KEF 325 A A2S | | 25 A | 25 A | 25 A | 25 A | 25 A | 11 kW | 25 A | 22 kW | 6419410304846 | | A2S | 1.8 |
| KEF 340 A A2S | | 40 A | 40 A | 40 A | 40 A | 40 A | 22 kW | 25 A | 22 kW | 6419410304853 | | A2S | 1.8 |
| 4 poles | | | | | | | | | | | | | |
| KEF 416 A A2S | | 16 A | 16 A | 16 A | 16 A | 16 A | 7.5 kW | 16 A | 11 kW | 6419410304860 | | A2S | 1.8 |
| KEF 425 A A2S | | 25 A | 25 A | 25 A | 25 A | 25 A | 11 kW | 25 A | 22 kW | 6419410304877 | | A2S | 1.8 |
| KEF 440 A A2S | | 40 A | 40 A | 40 A | 40 A | 40 A | 22 kW | 25 A | 22 kW | 6419410304884 | | A2S | 1.8 |

DISCOVER MORE



Dimensional drawings:

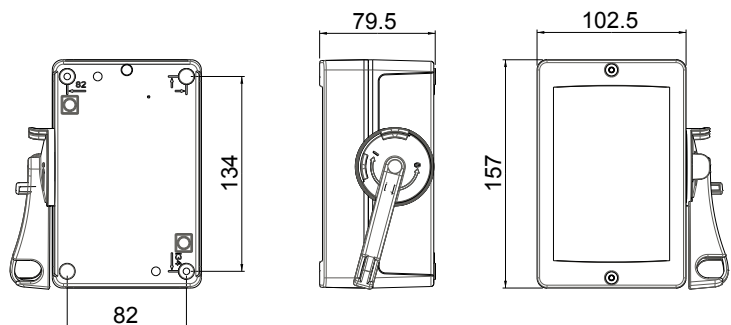
Dimensional drawings section of this catalogue

3D STEP files available:

www.katko.com/3d-models

Accessories available:

www.katko.com/products/accessories/



ATEX SWITCHES SAFETY SWITCHES / ISOLATORS 16-160 A



- Conforming to Directive 2014/34/EU, EN 60079-0 (2012), EN 60079-31 (2014)
- Suitable for use in Zone 22 (Category 3D)
- Temperature range from -20 °C to +40°C
- Frontal impact test of 7 J
- Available in aluminium and stainless steel enclosures
- Door interlock with defeat mechanism
- Padlockable
- II 3D Ex tc IIIC T65°C Dc
- Tested according to IEC 60947-3
- Separate ATEX-enclosures upon request
- Available in yellow/red upon request
- Available EX EMC
- ATEX cable glands included (For example, 2XM25PEX = 2 x M25 plastic EX cable glands; 4XM25MEX = 4 x M25 metal EX cable glands)

| Enclosure type | Width mm | Height mm | Depth mm | Material | IP rating |
|----------------|----------|-----------|----------|----------------------------|-----------|
| RA2 | 120 | 160 | 77 | Stainless Steel, AISI 316L | IP66 |
| RA4 | 160 | 260 | 90 | Stainless Steel, AISI 316L | IP66 |
| RA5 | 300 | 420 | 120 | Stainless Steel, AISI 316L | IP66 |
| A2 | 104 | 158,5 | 79,5 | Aluminum | IP66 |
| A4 | 162 | 262 | 108 | Aluminum | IP66 |

DISCOVER MORE



Dimensional drawings:

Dimensional drawings section of this catalogue

3D STEP files available:

www.katko.com/3d-models

Accessories available:

www.katko.com/products/accessories/

ATEX SWITCHES SAFETY SWITCHES / ISOLATORS 16-160 A

| Type | AC-21A | | AC-22A | AC-23A | | AC-23A | 690 V | EAN code | Enclosure | Weight kg |
|-----------------------------------|--------|-------|--------|--------|--------|--------|-------|---------------|-----------|-----------|
| | 400 V | 415 V | | 400 V | 415 V | | | | | |
| | 690 V | 690 V | le / A | P / kW | le / A | P / kW | | | | |
| Aluminium enclosures | | | | | | | | | | |
| 3 poles | | | | | | | | | | |
| KEA 316 A2EX 2XM25PEX KST16MEX | 16 A | | 16 A | 16 A | 7.5 kW | 16 A | 11 kW | 6419410305508 | A2 | 1.3 |
| KEA 325 A2EX 2XM25PEX KST16MEX | 25 A | | 25 A | 25 A | 11 kW | 25 A | 22 kW | 6419410305515 | A2 | 1.3 |
| KEA 340 A2EX 2XM25PEX KST16MEX | 40 A | | 40 A | 40 A | 22 kW | 25 A | 22 kW | 6419410305522 | A2 | 1.3 |
| KEA 363 A4EX 2XM40PEX KST16MEX | 80 A | | 63 A | 40 A | 22 kW | 40 A | 37 kW | 6419410305560 | A4 | 2.8 |
| KEA 380 A4EX 2XM40PEX KST16MEX | 100 A | | 80 A | 63 A | 30 kW | 40 A | 37 kW | 6419410305577 | A4 | 2.8 |
| KEA 3100 A4EX 2XM40PEX KST16MEX | 125 A | | 100 A | 100 A | 55 kW | 63 A | 55 kW | 6419410315422 | A4 | 3.0 |
| KEA 3125 A4EX 2XM40PEX KST16MEX | 160 A | | 125 A | 125 A | 55 kW | 80 A | 75 kW | 6419410305584 | A4 | 3.0 |
| KEA 3160 A4EX 2XM40PEX KST16MEX | 160 A | | 160 A | 160 A | 90 kW | 100 A | 90 kW | 6419410305591 | A4 | 3.0 |
| 4 poles | | | | | | | | | | |
| KEA 416 A2EX 2XM25PEX KST16MEX | 16 A | | 16 A | 16 A | 7.5 kW | 16 A | 11 kW | 6419410305539 | A2 | 1.3 |
| KEA 425 A2EX 2XM25PEX KST16MEX | 25 A | | 25 A | 25 A | 11 kW | 25 A | 22 kW | 6419410305546 | A2 | 1.3 |
| KEA 440 A2EX 2XM25PEX KST16MEX | 40 A | | 40 A | 40 A | 22 kW | 25 A | 22 kW | 6419410305553 | A2 | 1.3 |
| KEA 463 A4EX 2XM40PEX KST16MEX | 80 A | | 63 A | 40 A | 22 kW | 40 A | 37 kW | 6419410305607 | A4 | 2.8 |
| KEA 480 A4EX 2XM40PEX KST16MEX | 100 A | | 80 A | 63 A | 30 kW | 40 A | 37 kW | 6419410305614 | A4 | 2.8 |
| KEA 4100 A4EX 2XM40PEX KST16MEX | 125 A | | 100 A | 100 A | 55 kW | 63 A | 55 kW | 6419410315439 | A4 | 3.0 |
| KEA 4125 A4EX 2XM40PEX KST16MEX | 160 A | | 125 A | 125 A | 55 kW | 80 A | 75 kW | 6419410305621 | A4 | 3.0 |
| KEA 4160 A4EX 2XM40PEX KST16MEX | 160 A | | 160 A | 160 A | 90 kW | 100 A | 90 kW | 6419410305638 | A4 | 3.0 |
| 6 poles | | | | | | | | | | |
| KEA 616 A4EX 4XM25PEX KST16MEX | 16 A | | 16 A | 16 A | 7.5 kW | 16 A | 11 kW | 6419410306208 | A4 | 2.8 |
| KEA 625 A4EX 4XM25PEX KST16MEX | 25 A | | 25 A | 25 A | 11 kW | 25 A | 22 kW | 6419410306215 | A4 | 2.8 |
| KEA 640 A4EX 4XM40PEX KST16MEX | 40 A | | 40 A | 40 A | 22 kW | 25 A | 22 kW | 6419410306222 | A4 | 2.9 |
| KEA 663 A4EX 4XM40PEX KST16MEX | 80 A | | 63 A | 40 A | 22 kW | 40 A | 37 kW | 6419410306239 | A4 | 2.9 |
| KEA 680 A4EX 4XM40PEX KST16MEX | 100 A | | 80 A | 63 A | 30 kW | 40 A | 37 kW | 6419410306246 | A4 | 2.9 |
| 8 poles | | | | | | | | | | |
| KEA 816 A4EX 4XM25PEX KST16MEX | 16 A | | 16 A | 16 A | 7.5 kW | 16 A | 11 kW | 6419410306253 | A4 | 3.1 |
| KEA 825 A4EX 4XM25PEX KST16MEX | 25 A | | 25 A | 25 A | 11 kW | 25 A | 22 kW | 6419410306260 | A4 | 3.1 |
| KEA 840 A4EX 4XM40PEX KST16MEX | 40 A | | 40 A | 40 A | 22 kW | 25 A | 22 kW | 6419410306277 | A4 | 3.2 |
| KEA 863 A4EX 4XM40PEX KST16MEX | 80 A | | 63 A | 40 A | 22 kW | 40 A | 37 kW | 6419410306284 | A4 | 3.1 |
| KEA 880 A4EX 4XM40PEX KST16MEX | 100 A | | 80 A | 63 A | 30 kW | 40 A | 37 kW | 6419410306291 | A4 | 3.1 |
| Stainless steel enclosures | | | | | | | | | | |
| 3 poles | | | | | | | | | | |
| KER 316 RA2EX 2XM25MEX KST16MEX | 16 A | | 16 A | 16 A | 7.5 kW | 16 A | 11 kW | 6419410309797 | RA2 | 0.9 |
| KER 325 RA2EX 2XM25MEX KST16MEX | 25 A | | 25 A | 25 A | 11 kW | 25 A | 22 kW | 6419410309803 | RA2 | 0.9 |
| KER 340 RA2EX 2XM25MEX KST16MEX | 40 A | | 40 A | 40 A | 22 kW | 25 A | 22 kW | 6419410309810 | RA2 | 0.9 |
| KER 363 RA4EX 2XM32MEX KST16MEX | 80 A | | 63 A | 40 A | 22 kW | 40 A | 37 kW | 6419410309858 | RA4 | 2.7 |
| KER 380 RA4EX 2XM32MEX KST16MEX | 100 A | | 80 A | 63 A | 30 kW | 40 A | 37 kW | 6419410309865 | RA4 | 2.7 |
| KER 3100 RA5EX 2XM40MEX KST16MEX | 125 A | | 100 A | 100 A | 55 kW | 63 A | 55 kW | 6419410315446 | RA5 | 7.3 |
| KER 3125 RA5EX 2XM40MEX KST16MEX | 160 A | | 125 A | 125 A | 55 kW | 80 A | 75 kW | 6419410309872 | RA5 | 7.4 |
| KER 3160 RA5EX 2XM40MEX KST16MEX | 160 A | | 160 A | 160 A | 90 kW | 100 A | 90 kW | 6419410309889 | RA5 | 7.4 |
| 4 poles | | | | | | | | | | |
| KER 416 RA2EX 2XM25MEX KST16MEX | 16 A | | 16 A | 16 A | 7.5 kW | 16 A | 11 kW | 6419410309827 | RA2 | 0.9 |
| KER 425 RA2EX 2XM25MEX KST16MEX | 25 A | | 25 A | 25 A | 11 kW | 25 A | 22 kW | 6419410309834 | RA2 | 0.9 |
| KER 440 RA2EX 2XM25MEX KST16MEX | 40 A | | 40 A | 40 A | 22 kW | 25 A | 22 kW | 6419410309841 | RA2 | 0.9 |
| KER 463 RA4EX 2XM32MEX KST16MEX | 80 A | | 63 A | 40 A | 22 kW | 40 A | 37 kW | 6419410309896 | RA4 | 2.7 |
| KER 480 RA4EX 2XM32MEX KST16MEX | 100 A | | 80 A | 63 A | 30 kW | 40 A | 37 kW | 6419410309902 | RA4 | 2.7 |
| KER 4100 RA5EX 2XM40MEX KST16MEX | 125 A | | 100 A | 100 A | 55 kW | 63 A | 55 kW | 6419410315453 | RA5 | 7.3 |
| KER 4125 RA5EX 2XM40MEX KST16MEX | 160 A | | 125 A | 125 A | 55 kW | 80 A | 75 kW | 6419410305768 | RA5 | 7.3 |
| KER 4160 RA5EX 2XM40MEX KST16MEX | 160 A | | 160 A | 160 A | 90 kW | 100 A | 90 kW | 6419410305775 | RA5 | 7.3 |
| 6 poles | | | | | | | | | | |
| KER 616 RA4EX 4XM25MEX KST16MEX | 16 A | | 16 A | 16 A | 7.5 kW | 16 A | 11 kW | 6419410306406 | RA4 | 2.7 |
| KER 625 RA4EX 4XM25MEX KST16MEX | 25 A | | 25 A | 25 A | 11 kW | 25 A | 22 kW | 6419410306413 | RA4 | 2.7 |
| KER 640 RA4EX 4XM25MEX KST16MEX | 40 A | | 40 A | 40 A | 22 kW | 25 A | 22 kW | 6419410306420 | RA4 | 2.7 |
| KER 663 RA4EX 4XM32MEX KST16MEX | 80 A | | 63 A | 40 A | 22 kW | 40 A | 37 kW | 6419410306437 | RA4 | 2.7 |
| KER 680 RA4EX 4XM32MEX KST16MEX | 100 A | | 80 A | 63 A | 30 kW | 40 A | 37 kW | 6419410306444 | RA4 | 2.7 |
| KER 6100 RA5EX 4XM40MEX KST16MEX | 125 A | | 100 A | 100 A | 55 kW | 63 A | 55 kW | 6419410315460 | RA5 | 7.5 |
| KER 6125 RA5EX 4XM40MEX KST16MEX | 160 A | | 125 A | 125 A | 55 kW | 80 A | 75 kW | 6419410306505 | RA5 | 7.6 |
| KER 6160 RA5EX 4XM40MEX KST16MEX | 160 A | | 160 A | 160 A | 90 kW | 100 A | 90 kW | 6419410306512 | RA5 | 7.6 |
| 8 poles | | | | | | | | | | |
| KER 816 RA4EX 4XM25MEX KST16MEX | 16 A | | 16 A | 16 A | 7.5 kW | 16 A | 11 kW | 6419410306451 | RA4 | 3.0 |
| KER 825 RA4EX 4XM25MEX KST16MEX | 25 A | | 25 A | 25 A | 11 kW | 25 A | 22 kW | 6419410306468 | RA4 | 3.0 |
| KER 840 RA4EX 4XM25MEX KST16MEX | 40 A | | 40 A | 40 A | 22 kW | 25 A | 22 kW | 6419410306475 | RA4 | 3.0 |
| KER 863 RA4EX 4XM32MEX KST16MEX | 80 A | | 63 A | 40 A | 22 kW | 40 A | 37 kW | 6419410306482 | RA4 | 3.0 |
| KER 880 RA4EX 4XM32MEX KST16MEX | 100 A | | 80 A | 63 A | 30 kW | 40 A | 37 kW | 6419410306499 | RA4 | 3.0 |
| KER 8100 RA5EX 4XM40MEX KST16MEX | 125 A | | 100 A | 100 A | 55 kW | 63 A | 55 kW | 6419410315477 | RA5 | 7.8 |
| KER 8125 RA5EX 4XM40MEX KST16MEX | 160 A | | 125 A | 125 A | 55 kW | 80 A | 75 kW | 6419410306529 | RA5 | 7.9 |
| KER 8160 RA5EX 4XM40MEX KST16MEX | 160 A | | 160 A | 160 A | 90 kW | 100 A | 90 kW | 6419410306536 | RA5 | 7.9 |

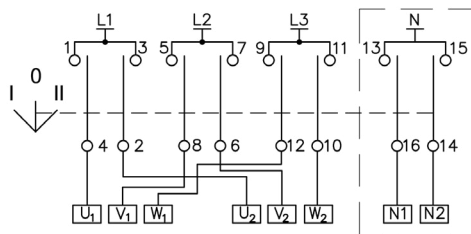
CHANGE-OVER SWITCHES 16 - 160 A



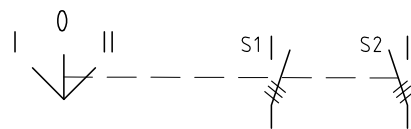
- Polycarbonate (TKM, KEM) or aluminium (KEA) enclosures
- TKM-models with cam switch 16 to 40 A
- KEM and KEA models consist of two KU or VKA switches connected by a change-over kit and range from 16 to 160 A
- Self-extinguishing material
- Excellent insulating properties
- Wide operating temperature range
- Good resistance against UV and many chemicals
- Door interlock with defeat mechanism
- Padlockable
- Tested according to IEC 60947-3

| Enclosure type | Width mm | Height mm | Depth mm | Material | IP rating |
|----------------|----------|-----------|----------|-------------------|-----------|
| A4 | 162 | 262 | 108 | Aluminum | IP66 |
| M2 | 96,4 | 130,4 | 106 | Polycarbonate, PC | IP66 |
| M3 | 144 | 190 | 96 | Polycarbonate, PC | IP66 |
| M4 | 180 | 255 | 100 | Polycarbonate, PC | IP66 |
| MF11 | 280 | 380 | 130 | Polycarbonate, PC | IP65 |

CIRCUIT DIAGRAMS:



TKW



KEM/KEA VV

CHANGE-OVER SWITCHES

16 - 160 A

| Type | | AC-21A | 400 V | | AC-22A | 400 V | | AC-23A | AC-23A | 690 V | EAN code | | Switch | Enclosure | Weight kg |
|----------------------------|------------------------|--------|--------|--------|---------|--------------------|--------------------|--------|--------|--------|---------------|---------------|-----------|-----------|-----------|
| | | | 415 V | 690 V | | 415 V ₁ | 690 V ₂ | | | | Grey/black | Yellow/red | | | |
| Grey/black | Yellow/red | Ie / A | Ie / A | Ie / A | Ie / A | P / kW | Ie / A | P / kW | P / kW | P / kW | Grey/black | Yellow/red | | | |
| TKM (Polycarbonate) | | | | | | | | | | | | | | | |
| 2 poles | | | | | | | | | | | | | | | |
| TKM 225VV M2 3XM25P | TKM 225VV YR M2 3XM25P | 25 A* | 25 A* | 25 A* | 11 kW | - | - | - | - | - | 6419410346952 | 6419410346969 | TK 225 VV | M2 | 0.4 |
| TKM 240VV M2 3XM25P | TKM 240VV YR M2 3XM25P | 40 A* | 40 A* | 40 A* | 18.5 kW | - | - | - | - | - | 6419410346976 | 6419410346983 | TK 240 VV | M2 | 0.4 |
| 3 poles | | | | | | | | | | | | | | | |
| TKM 316VV M2 3XM25P | TKM 316VV YR M2 3XM25P | 16 A* | 16 A* | 16 A* | 7.5 kW | - | - | - | - | - | 6419410345757 | 6419410345764 | TK 316 VV | M2 | 0.4 |
| TKM 325VV M2 3XM25P | TKM 325VV YR M2 3XM25P | 25 A* | 25 A* | 25 A* | 11 kW | - | - | - | - | - | 6419410345733 | 6419410345740 | TK 325 VV | M2 | 0.4 |
| TKM 340VV M2 3XM25P | TKM 340VV YR M2 3XM25P | 40 A* | 40 A* | 40 A* | 18.5 kW | - | - | - | - | - | 6419410345771 | 6419410345788 | TK 340 VV | M2 | 0.4 |
| 4 poles | | | | | | | | | | | | | | | |
| TKM 416VV M2 3XM25P | TKM 416VV YR M2 3XM25P | 16 A* | 16 A* | 16 A* | 7.5 kW | - | - | - | - | - | 6419410347058 | 6419410347065 | TK 416 VV | M2 | 0.4 |
| TKM 425VV M2 3XM25P | TKM 425VV YR M2 3XM25P | 25 A* | 25 A* | 25 A* | 11 kW | - | - | - | - | - | 6419410345948 | 6419410347072 | TK 425 VV | M2 | 0.4 |
| TKM 440VV M2 3XM25P | TKM 440VV YR M2 3XM25P | 40 A* | 40 A* | 40 A* | 18.5 kW | - | - | - | - | - | 6419410347089 | 6419410347096 | TK 440 VV | M2 | 0.4 |
| KEM (Polycarbonate) | | | | | | | | | | | | | | | |
| 3 poles | | | | | | | | | | | | | | | |
| KEM 316CO M3 | KEM 316CO YR M3 | 25 A | 16 A | 16 A | 7.5 kW | 16 A | 11 kW | 16 A | 11 kW | 11 kW | 6419410346518 | 6419410346525 | 2xKU 316N | M3 | 0.9 |
| KEM 325CO M3 | KEM 325CO YR M3 | 40 A | 25 A | 25 A | 11 kW | 25 A | 22 kW | 25 A | 22 kW | 22 kW | 6419410346532 | 6419410346549 | 2xKU 325N | M3 | 0.9 |
| KEM 340CO M3 | KEM 340CO YR M3 | 63 A | 40 A | 40 A | 22 kW | 32 A | 30 kW | 32 A | 30 kW | 30 kW | 6419410346556 | 6419410346563 | 2xKU 340N | M3 | 0.9 |
| KEM 363VV M3 | KEM 363VV YR M3 | 80 A | 63 A | 40 A | 22 kW | 40 A | 37 kW | 40 A | 37 kW | 37 kW | 6419410320655 | 6419410320754 | 2xKU 363N | M3 | 0.9 |
| KEM 380VV M3 | KEM 380VV YR M3 | 100 A | 80 A | 63 A | 30 kW | 40 A | 37 kW | 40 A | 37 kW | 37 kW | 6419410320662 | 6419410320761 | 2xKU 380N | M3 | 0.9 |
| KEM 3125CO MF11 | KEM 3125CO YR MF11 | 160 A | 125 A | 125 A | 55 kW | 80 A | 75 kW | 80 A | 75 kW | 75 kW | 6419410320402 | 6419410320457 | 2xKU 3125 | MF11 | 3.3 |
| KEM 3160CO MF11 | KEM 3160CO YR MF11 | 160 A | 160 A | 160 A | 90 kW | 100 A | 90 kW | 100 A | 90 kW | 90 kW | 6419410320501 | 6419410320556 | 2xKU 3160 | MF11 | 3.3 |
| 4 poles | | | | | | | | | | | | | | | |
| KEM 416CO M3 | KEM 416CO YR M3 | 25 A | 16 A | 16 A | 7.5 kW | 16 A | 11 kW | 16 A | 11 kW | 11 kW | 6419410346570 | 6419410346587 | 2xKU 416N | M3 | 0.9 |
| KEM 425CO M3 | KEM 425CO YR M3 | 40 A | 25 A | 25 A | 11 kW | 25 A | 22 kW | 25 A | 22 kW | 22 kW | 6419410346594 | 6419410346600 | 2xKU 425N | M3 | 0.9 |
| KEM 440CO M3 | KEM 440CO YR M3 | 63 A | 40 A | 40 A | 22 kW | 32 A | 30 kW | 32 A | 30 kW | 30 kW | 6419410346617 | 6419410346624 | 2xKU 440N | M3 | 0.9 |
| KEM 463VV M3 | KEM 463VV YR M3 | 80 A | 63 A | 40 A | 22 kW | 40 A | 37 kW | 40 A | 37 kW | 37 kW | 6419410320884 | 6419410320952 | 2xKU 463N | M3 | 0.9 |
| KEM 480VV M3 | KEM 480VV YR M3 | 100 A | 80 A | 63 A | 30 kW | 40 A | 37 kW | 40 A | 37 kW | 37 kW | 6419410320891 | 6419410320969 | 2xKU 480N | M3 | 0.9 |
| KEM 4125CO MF11 | KEM 4125CO YR MF11 | 160 A | 125 A | 125 A | 55 kW | 80 A | 75 kW | 80 A | 75 kW | 75 kW | 6419410320426 | 6419410320471 | 2xKU 4125 | MF11 | 3.5 |
| KEM 4160CO MF11 | KEM 4160CO YR MF11 | 160 A | 160 A | 160 A | 90 kW | 100 A | 90 kW | 100 A | 90 kW | 90 kW | 6419410320525 | 6419410320570 | 2xKU 4160 | MF11 | 3.5 |
| KEA (Aluminium) | | | | | | | | | | | | | | | |
| 3 poles | | | | | | | | | | | | | | | |
| KEA 316CO A4 | KEA 316CO YR A4 | 25 A | 16 A | 16 A | 7.5 kW | 16 A | 11 kW | 16 A | 11 kW | 11 kW | 6419410346631 | 6419410346648 | 2xKU 316N | A4 | 3.0 |
| KEA 325CO A4 | KEA 325CO YR A4 | 40 A | 25 A | 25 A | 11 kW | 25 A | 22 kW | 25 A | 22 kW | 22 kW | 6419410346655 | 6419410346662 | 2xKU 325N | A4 | 3.0 |
| KEA 340CO A4 | KEA 340CO YR A4 | 63 A | 40 A | 40 A | 22 kW | 32 A | 30 kW | 32 A | 30 kW | 30 kW | 6419410346679 | 6419410346686 | 2xKU 340N | A4 | 3.0 |
| KEA 363VV A4 | KEA 363VV YR A4 | 80 A | 63 A | 40 A | 22 kW | 40 A | 37 kW | 40 A | 37 kW | 37 kW | 6419410329894 | 6419410329962 | 2xKU 363N | A4 | 3.0 |
| KEA 380VV A4 | KEA 380VV YR A4 | 100 A | 80 A | 63 A | 30 kW | 40 A | 37 kW | 40 A | 37 kW | 37 kW | 6419410329900 | 6419410329979 | 2xKU 380N | A4 | 3.0 |
| 4 poles | | | | | | | | | | | | | | | |
| KEA 416CO A4 | KEA 416CO YR A4 | 25 A | 16 A | 16 A | 7.5 kW | 16 A | 11 kW | 16 A | 11 kW | 11 kW | 6419410346693 | 6419410346709 | 2xKU 416N | A4 | 3.0 |
| KEA 425CO A4 | KEA 425CO YR A4 | 40 A | 25 A | 25 A | 11 kW | 25 A | 22 kW | 25 A | 22 kW | 22 kW | 6419410346716 | 6419410346723 | 2xKU 425N | A4 | 3.0 |
| KEA 440CO A4 | KEA 440CO YR A4 | 63 A | 40 A | 40 A | 22 kW | 32 A | 30 kW | 32 A | 30 kW | 30 kW | 6419410346730 | 6419410346747 | 2xKU 440N | A4 | 3.0 |
| KEA 463VV A4 | KEA 463VV YR A4 | 80 A | 63 A | 40 A | 22 kW | 40 A | 37 kW | 40 A | 37 kW | 37 kW | 6419410332276 | 6419410332344 | 2xKU 463N | A4 | 3.0 |
| KEA 480VV A4 | KEA 480VV YR A4 | 100 A | 80 A | 63 A | 30 kW | 40 A | 37 kW | 40 A | 37 kW | 37 kW | 6419410332283 | 6419410332351 | 2xKU 480N | A4 | 3.0 |

* 400/415 V

DISCOVER MORE

**Dimensional drawings:**

Dimensional drawings section of this catalogue

3D STEP files available:www.katko.com/3d-models**Accessories available:**www.katko.com/products/accessories/

BYPASS SWITCH FOR FREQUENCY INVERTER 16-63 A



- R.M.S value 50kA
- Door interlock with defeat mechanism
- Padlockable
- Tested according to IEC 60947-3
- CB certificates

| Enclosure type | Width mm | Height mm | Depth mm | Material | IP rating |
|----------------|----------|-----------|----------|-------------------|-----------|
| A4 | 162 | 262 | 108 | Aluminum | IP66 |
| MF11 | 280 | 380 | 130 | Polycarbonate, PC | IP65 |
| T5 | 300 | 400 | 120 | Sheet steel | IP65 |

| Type | AC-21A | | AC-22A | | AC-23A | | AC-23A | 690 V | EAN code | Enclosure | Weight kg |
|--|--------|-------|--------|--------|--------|--------|--------|---------------|----------|-----------|-----------|
| | 400 V | 415 V | 400 V | 415 V | 400 V | 415 V | | | | | |
| | Ie / A | | Ie / A | Ie / A | P / kW | Ie / A | P / kW | | | | |
| Polycarbonate enclosures | | | | | | | | | | | |
| KUM 616 316VV102 2X1V MF11 4XM25P M16P | 40 A | | 25 A | 20 A | 7.5 kW | 20 A | 15 kW | 6419410301661 | MF11 | 3.7 | |
| KUM 625 325VV102 2X1V MF11 4XM25P M16P | 63 A | | 40 A | 25 A | 11 kW | 25 A | 22 kW | 6419410302057 | MF11 | 3.7 | |
| KUM 640 340VV102 2X1V MF11 4XM32P M16P | 90 A | | 70 A | 50 A | 22 kW | 32 A | 30 kW | 6419410302453 | MF11 | 3.7 | |
| KUM 663 363VV102 2X1V MF11 4XM40P M16P | 100 A | | 80 A | 63 A | 30 kW | 40 A | 37 kW | 6419410302903 | MF11 | 3.9 | |
| Sheet steel enclosures | | | | | | | | | | | |
| KUT 616 316VV102 2X1V T5EMC 4XM25MEMC M16M | 40 A | | 25 A | 20 A | 7.5 kW | 20 A | 15 kW | 6419410311509 | T5 | 8.6 | |
| KUT 625 325VV102 2X1V T5EMC 4XM25MEMC M16M | 63 A | | 40 A | 25 A | 11 kW | 25 A | 22 kW | 6419410311554 | T5 | 8.9 | |
| KUT 640 340VV102 2X1V T5EMC 4XM32MEMC M16M | 90 A | | 70 A | 50 A | 22 kW | 32 A | 30 kW | 6419410311608 | T5 | 9.0 | |
| KUT 663 363VV102 2X1V T5EMC 4XM40MEMC M16M | 100 A | | 80 A | 63 A | 30 kW | 40 A | 37 kW | 6419410311653 | T5 | 8.9 | |
| Aluminium enclosures | | | | | | | | | | | |
| TKA 616 316SSV A4EMC 4XM25MEMC M16M | 16 A | | 16 A | 16 A | 7.5 kW | - | - | 6419410311684 | A4 | 3.0 | |

DISCOVER MORE



Dimensional drawings:

Dimensional drawings section of this catalogue

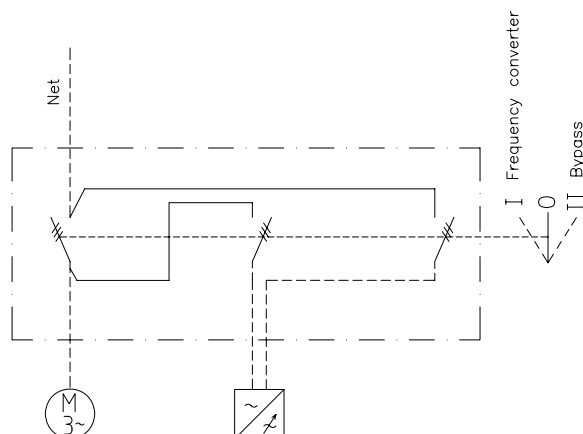
3D STEP files available:

www.katko.com/3d-models

Accessories available:

www.katko.com/products/accessories/

CIRCUIT DIAGRAMS:



MOTOR CONTROL SWITCHES 16-40 A

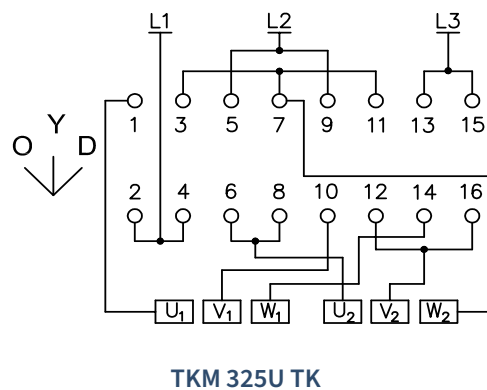
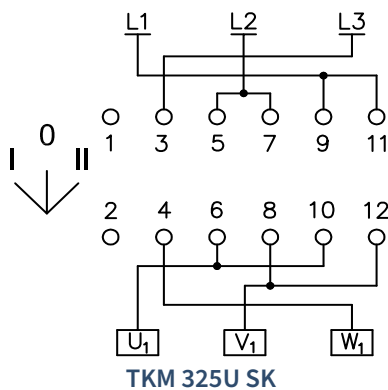


- Polycarbonate (PC) enclosure
- Rated thermal current I_{the} 16 - 40 A
- Door interlock with defeat mechanism
- Padlockable
- Terminals: Cu 1,5 - 16 mm²
- Max. terminal torque: 1,8 Nm
- IEC 60947-3
- TK= star delta
- SK= reverse switch

| Enclosure type | Width mm | Height mm | Depth mm | Material | IP rating |
|----------------|----------|-----------|----------|-------------------|-----------|
| M2 | 96,4 | 130,4 | 106 | Polycarbonate, PC | IP66 |

| Type | AC-21A | 400 V | AC-22A | 400 V | AC-23A | 400 V | EAN code | | Enclosure | Weight kg |
|---------------------|------------------------|--------|--------|--------|---------|---------------|---------------|------------|-----------|-----------|
| | | 415 V | | 415 V | | 415 V | Grey/black | Yellow/red | | |
| Grey/black | Yellow/red | Ie / A | Ie / A | Ie / A | P / kW | Grey/black | Yellow/red | | | |
| Star-Delta | | | | | | | | | | |
| TKM 316TK M2 3XM25P | TKM 316TK YR M2 3XM25P | 16 A | 16 A | 16 A | 7.5 kW | 6419410344828 | 6419410344842 | M2 | 0.4 | |
| TKM 325TK M2 3XM25P | TKM 325TK YR M2 3XM25P | 25 A | 25 A | 25 A | 11 kW | 6419410345023 | 6419410345030 | M2 | 0.4 | |
| TKM 340TK M2 3XM25P | TKM 340TK YR M2 3XM25P | 40 A | 40 A | 40 A | 18.5 kW | 6419410345627 | 6419410345641 | M2 | 0.4 | |
| Reverse | | | | | | | | | | |
| TKM 316SK M2 3XM25P | TKM 316SK YR M2 3XM25P | 16 A | 16 A | 16 A | 7.5 kW | 6419410344729 | 6419410344743 | M2 | 0.4 | |
| TKM 325SK M2 3XM25P | TKM 325SK YR M2 3XM25P | 25 A | 25 A | 25 A | 11 kW | 6419410345221 | 6419410345238 | M2 | 0.4 | |
| TKM 340SK M2 3XM25P | TKM 340SK YR M2 3XM25P | 40 A | 40 A | 40 A | 18.5 kW | 6419410345962 | 6419410345986 | M2 | 0.4 | |

CONNECTION DIAGRAMS:



DISCOVER MORE



Dimensional drawings:

Dimensional drawings section of this catalogue

3D STEP files available:

www.katko.com/3d-models

Accessories available:

www.katko.com/products/accessories/

UL98 LISTED ENCLOSED SWITCHES POLYCARBONATE, STAINLESS STEEL, SHEET STEEL 60-100 A



- Can be used locally at the motor
- **NEMA: Type 4X** (polycarbonate (MF10 & MF11UL) and AISI 316L stainless steel (R4B & R5) enclosures)
- **NEMA: Type 4** (sheet steel (T4 & T5) enclosures)
- General use rating 30 A to 100 A /600 VAC
- All enclosure types are resistant to chemicals
- Stainless and sheet steel enclosures: Corrosion resistant
- Polycarbonate and sheet steel enclosures: UV resistant
- Padlockable

| Type | | Ampere rating (600 V) | 120V | 240V | 480V | 600V | EAN-Code | | Wire size Cu only | Enclosure | No of poles | Weight kg |
|------------------------|------------------------|-----------------------|--------|-------|-------|-------|---------------|---------------|-------------------|-----------|-------------|-----------|
| Grey/black | Yellow/red | | | | | | Grey/black | Yellow/red | | | | |
| Polycarbonate | | | | | | | | | | | | |
| KEM 330UL98 MF10 | KEM 330UL98 YR MF10 | 30 A | 1 HP | 15 HP | 30 HP | 50 HP | 6419410333136 | 6419410333143 | 14-1/0 AWG | MF10 | 3 | 1.9 |
| KEM 430UL98 MF10 | KEM 430UL98 YR MF10 | 30 A | 1 HP | 15 HP | 30 HP | 50 HP | 6419410347126 | 6419410347133 | 14-1/0 AWG | MF10 | 4 | 1.9 |
| KEM 360UL98 MF10 | KEM 360UL98 YR MF10 | 60 A | 1.5 HP | 20 HP | 40 HP | 60 HP | 6419410315606 | 6419410315729 | 14-1/0 AWG | MF10 | 3 | 1.9 |
| KEM 460UL98 MF10 | KEM 460UL98 YR MF10 | 100 A | 2 HP | 25 HP | 50 HP | 75 HP | 6419410315613 | 6419410315736 | 14-1/0 AWG | MF10 | 4 | 1.9 |
| KEM 3100UL98 MF11UL | KEM 3100UL98 YR MF11UL | 60 A | 1.5 HP | 20 HP | 40 HP | 60 HP | 6419410315620 | 6419410315743 | 14-1/0 AWG | MF11UL | 3 | 3.0 |
| KEM 4100UL98 MF11UL | KEM 4100UL98 YR MF11UL | 100 A | 2 HP | 25 HP | 50 HP | 75 HP | 6419410315637 | 6419410315750 | 14-1/0 AWG | MF11UL | 4 | 3.0 |
| Stainless Steel | | | | | | | | | | | | |
| KER 330UL98 R4B | KER 330UL98 YR R4B | 30 A | 1 HP | 15 HP | 30 HP | 50 HP | 6419410333150 | 6419410333167 | 14-1/0 AWG | R4B | 3 | 5.3 |
| KER 430UL98 R4B | KER 430UL98 YR R4B | 30 A | 1 HP | 15 HP | 30 HP | 50 HP | 6419410347225 | 6419410347232 | 14-1/0 AWG | R4B | 4 | 5.3 |
| KER 360UL98 R4B | KER 360UL98 YR R4B | 60 A | 1.5 HP | 20 HP | 40 HP | 60 HP | 6419410315682 | 6419410315804 | 14-1/0 AWG | R4B | 3 | 5.3 |
| KER 460UL98 R4B | KER 460UL98 YR R4B | 100 A | 2 HP | 25 HP | 50 HP | 75 HP | 6419410315699 | 6419410315811 | 14-1/0 AWG | R4B | 4 | 5.3 |
| KER 3100UL98 R5 | KER 3100UL98 YR R5 | 60 A | 1.5 HP | 20 HP | 40 HP | 60 HP | 6419410315705 | 6419410315828 | 14-1/0 AWG | R5 | 3 | 9.3 |
| KER 4100UL98 R5 | KER 4100UL98 YR R5 | 100 A | 2 HP | 25 HP | 50 HP | 75 HP | 6419410315712 | 6419410315835 | 14-1/0 AWG | R5 | 4 | 9.3 |
| Sheet Steel | | | | | | | | | | | | |
| KET 330UL98 T4 | KET 330UL98 YR T4 | 30 A | 1 HP | 15 HP | 30 HP | 50 HP | 6419410333181 | 6419410333198 | 14-1/0 AWG | T4 | 3 | 3.3 |
| KET 430UL98 T4 | KET 430UL98 YR T4 | 30 A | 1 HP | 15 HP | 30 HP | 50 HP | 6419410347249 | 6419410347256 | 14-1/0 AWG | T4 | 4 | 3.3 |
| KET 360UL98 T4 | KET 360UL98 YR T4 | 60 A | 1.5 HP | 20 HP | 40 HP | 60 HP | 6419410315644 | 6419410315767 | 14-1/0 AWG | T4 | 3 | 3.3 |
| KET 460UL98 T4 | KET 460UL98 YR T4 | 100 A | 2 HP | 25 HP | 50 HP | 75 HP | 6419410315651 | 6419410315774 | 14-1/0 AWG | T4 | 4 | 3.3 |
| KET 3100UL98 T5 | KET 3100UL98 YR T5 | 60 A | 1.5 HP | 20 HP | 40 HP | 60 HP | 6419410315668 | 6419410315781 | 14-1/0 AWG | T5 | 3 | 7.9 |
| KET 4100UL98 T5 | KET 4100UL98 YR T5 | 100 A | 2 HP | 25 HP | 50 HP | 75 HP | 6419410315675 | 6419410315798 | 14-1/0 AWG | T5 | 4 | 9.1 |

DISCOVER MORE



Dimensional drawings:

Dimensional drawings section of this catalogue (please note, UL listed enclosed products are delivered in solid (no cable entries) enclosures with the exception of EMC)

3D STEP files available:

www.katko.com/3d-models

Accessories available:

www.katko.com/products/accessories/

UL 60947-4-1A LISTED POLYCARBONATE ENCLOSED MANUAL MOTOR CONTROLLERS WITH DISCONNECTOR MEANS 16-150 A



- NEMA: Type 4X
- Across the line, motor starting up to 75 HP / 600 V
- General use rating 16 A to 150 A / 600 V
- Retrofit snap on auxiliary contacts up to 60 A
- UL 60947-4-1A



| Type | | Ampere rating (600 V) | 208V | 415V | 480V | 600V | EAN-Code | | Wire size Cu only | Enclosure | Weight kg |
|------------------|---------------------|--------------------------|--------|--------|--------|--------|---------------|---------------|----------------------|-----------|--------------|
| Grey/black | Yellow/red | | | | | | Grey/black | Yellow/red | | | |
| 3 poles | | | | | | | | | | | |
| KEM 316UL M2 | KEM 316UL YR M2 | 16 A | 3 HP | 7.5 HP | 10 HP | 7.5 HP | 6419410351703 | 6419410351772 | 14-8 AWG | M2 | 0.4 |
| KEM 325UL M2 | KEM 325UL YR M2 | 25 A | 5 HP | 10 HP | 15 HP | 10 HP | 6419410351246 | 6419410351352 | 14-8 AWG | M2 | 0.4 |
| KEM 340UL M3 | KEM 340UL YR M3 | 40 A | 7.5 HP | 15 HP | 20 HP | 15 HP | 6419410351277 | 6419410351383 | 14-8 AWG | M3 | 0.7 |
| KEM 360UL M3 | KEM 360UL YR M3 | 60 A | 10 HP | 20 HP | 25 HP | 25 HP | 6419410351307 | 6419410351413 | 12-4 AWG | M3 | 0.7 |
| KEM 380CUL M3 | KEM 380CUL YR M3 | 80 A | 10 HP | 25 HP | 30 HP | 30 HP | 6419410351840 | 6419410351925 | 12-4 AWG | M3 | 0.7 |
| KEM 380UL M3 | KEM 380UL YR M3 | 80 A | 15 HP | 25 HP | 30 HP | 40 HP | 6419410351338 | 6419410351444 | 8-1/0 AWG | M3 | 1.1 |
| KEM 3100L MF10 | KEM 3100L YR MF10 | 100 A | 15HP | 30HP | 40 HP | 50 HP | 6419410344163 | 6419410351154 | 8-1/0 AWG | MF10 | 2.1 |
| KEM 3125L MF10 | KEM 3125L YR MF10 | 125 A | 20 HP | 40 HP | 50 HP | 60 HP | 6419410344194 | 6419410351185 | 8-1/0 AWG | MF10 | 2.1 |
| KEM 3150L MF11UL | KEM 3150L YR MF11UL | 150 A | 25 HP | 50 HP | 60 HP | 75 HP | 6419410344224 | 6419410351215 | 8-1/0 AWG | MF11UL | 3.2 |
| 4 poles | | | | | | | | | | | |
| KEM 416UL M2 | KEM 416UL YR M2 | 16 A | 3 HP | 5 HP | 7.5 HP | 10 HP | 6419410351710 | 6419410351789 | 14-8AWG | M2 | 0.4 |
| KEM 425UL M2 | KEM 425UL YR M2 | 30 A | 5 HP | 7.5 HP | 10 HP | 15 HP | 6419410351253 | 6419410351369 | 14-8AWG | M2 | 0.4 |
| KEM 440UL M3 | KEM 440UL YR M3 | 16 A | 3 HP | 5 HP | 7.5 HP | 10 HP | 6419410351284 | 6419410351390 | 14-8 AWG | M3 | 0.7 |
| KEM 460UL M3 | KEM 460UL YR M3 | 60 A | 10 HP | 20 HP | 25HP | 25HP | 6419410351314 | 6419410351430 | 12-4 AWG | M3 | 1.0 |
| KEM 480CUL M3 | KEM 480CUL YR M3 | 80 A | 10 HP | 25 HP | 30 HP | 30 HP | 6419410351857 | 6419410351922 | 12-4 AWG | M3 | 1.0 |
| KEM 480UL M3 | KEM 480UL YR M3 | 80 A | 15 HP | 25 HP | 30 HP | 40 HP | 6419410351345 | 6419410351451 | 8-1/0 AWG | M3 | 1.2 |
| KEM 4100L MF10 | KEM 4100L YR MF10 | 100 A | 15 HP | 30 HP | 40 HP | 50 HP | 6419410344170 | 6419410351161 | 8-1/0 AWG | MF10 | 2.2 |
| KEM 4125L MF10 | KEM 4125L YR MF10 | 125 A | 20 HP | 40 HP | 50 HP | 60 HP | 6419410344200 | 6419410351192 | 8-1/0 AWG | MF10 | 2.2 |
| KEM 4150L MF11UL | KEM 4150L YR MF11UL | 150 A | 25 HP | 50 HP | 60 HP | 75 HP | 6419410344231 | 6419410351222 | 8-1/0 AWG | MF11UL | 3.3 |
| 6 poles | | | | | | | | | | | |
| KEM 616UL M3 | KEM 616UL YR M3 | 16 A | 3 HP | 7.5 HP | 10 HP | 7.5 HP | 6419410351727 | 6419410351796 | 14-8 AWG | M3 | 0.8 |
| KEM 625UL M3 | KEM 625UL YR M3 | 25 A | 5 HP | 10 HP | 15 HP | 10 HP | 6419410351260 | 6419410351376 | 14-8 AWG | M3 | 0.8 |
| KEM 640UL M3 | KEM 640UL YR M3 | 40 A | 7.5 HP | 15 HP | 20 HP | 15 HP | 6419410351291 | 6419410351406 | 14-8 AWG | M3 | 0.8 |
| KEM 660UL M3 | KEM 660UL YR M3 | 60 A | 10 HP | 20 HP | 25 HP | 25 HP | 6419410351321 | 6419410351437 | 12-4 AWG | M3 | 0.8 |
| KEM 680CUL M3 | KEM 680CUL YR M3 | 80 A | 10 HP | 25 HP | 30 HP | 30 HP | 6419410351666 | 6419410351673 | 12-4 AWG | M3 | 0.8 |
| KEM 680L MF11UL | KEM 680L YR MF11UL | 80 A | 15HP | 25HP | 30HP | 40HP | 6419410344156 | 6419410351147 | 8-1/0AWG | MF11UL | 3.2 |
| KEM 6100L MF11UL | KEM 6100L YR MF11UL | 100 A | 15HP | 30HP | 40HP | 50HP | 6419410344187 | 6419410351178 | 8-1/0AWG | MF11UL | 3.2 |
| KEM 6125L MF11UL | KEM 6125L YR MF11UL | 125 A | 20HP | 40HP | 50HP | 60HP | 6419410344217 | 6419410351208 | 8-1/0AWG | MF11UL | 3.2 |
| KEM 6150L MF11UL | KEM 6150L YR MF11UL | 150 A | 25HP | 50HP | 60HP | 75HP | 6419410344248 | 6419410351239 | 8-1/0AWG | MF11UL | 3.2 |

DISCOVER MORE



Dimensional drawings:

Dimensional drawings section of this catalogue (please note, UL listed enclosed products are delivered in solid (no cable entries) enclosures with the exception of EMC)

3D STEP files available:

www.katko.com/3d-models

Accessories available:

www.katko.com/products/accessories/

UL 60947-4-1A LISTED MANUAL MOTOR CONTROLLERS SHEET STEEL ENCLOSED 16-150 A



- NEMA: Type 4
- Across the line, motor starting- up to 75HP/600V
- General use rating from 16A to 150A/600V
- Retrofit snap on auxiliary contacts
- UL 60947-4-1A

| Type | | Ampere rating (600 V) | 208 V | 415 V | 480 V | 600 V | EAN-Code | | Wire size Cu only | Enclosure | Weight kg |
|----------------|------------------|--------------------------|--------|--------|--------|--------|---------------|---------------|----------------------|-----------|--------------|
| Grey/Black | Yellow/Red | | | | | | Grey/Black | Yellow/Red | | | |
| 3 poles | | | | | | | | | | | |
| KET 316UL T3 | KET 316UL YR T3 | 16 A | 3 HP | 5 HP | 7.5 HP | 10 HP | 6419410348765 | 6419410349007 | 14-8 AWG | T3 | 2.4 |
| KET 325UL T3 | KET 325UL YR T3 | 30 A | 5 HP | 7.5 HP | 10 HP | 15 HP | 6419410348796 | 6419410349038 | 14-8 AWG | T3 | 2.4 |
| KET 340UL T3 | KET 340UL YR T3 | 40 A | 5 HP | 10 HP | 15 HP | 20 HP | 6419410348826 | 6419410349069 | 14-8 AWG | T3 | 2.4 |
| KET 360UL T4 | KET 360UL YR T4 | 60 A | 10 HP | 20 HP | 25 HP | 25 HP | 6419410348857 | 6419410349090 | 12-4 AWG | T4 | 3.4 |
| KET 380CUL T4 | KET 380CUL YR T4 | 80 A | 10 HP | 25 HP | 30 HP | 30 HP | 6419410351888 | 6419410351963 | 12-4 AWG | T4 | 3.4 |
| KET 380UL T4 | KET 380UL YR T4 | 80 A | 15 HP | 25 HP | 30 HP | 40 HP | 6419410348888 | 6419410349120 | 8-1/0 AWG | T4 | 3.5 |
| KET 3100UL T4 | KET 3100UL YR T4 | 100 A | 15 HP | 30 HP | 40 HP | 50 HP | 6419410348918 | 6419410349151 | 8-1/0 AWG | T4 | 3.5 |
| KET 3125UL T4 | KET 3125UL YR T4 | 125 A | 20 HP | 40 HP | 50 HP | 60 HP | 6419410348949 | 6419410349182 | 8-1/0 AWG | T4 | 3.5 |
| KET 3150UL T5 | KET 3150UL YR T5 | 150 A | 25 HP | 50 HP | 60 HP | 75 HP | 6419410348970 | 6419410349212 | 8-1/0 AWG | T5 | 8.1 |
| 4 poles | | | | | | | | | | | |
| KET 416UL T3 | KET 416UL YR T3 | 16 A | 3 HP | 5 HP | 7.5 HP | 10 HP | 6419410348772 | 6419410349014 | 14-8 AWG | T3 | 2.4 |
| KET 425UL T3 | KET 425UL YR T3 | 30 A | 5 HP | 7.5 HP | 10 HP | 15 HP | 6419410348802 | 6419410349045 | 14-8 AWG | T3 | 2.4 |
| KET 440UL T3 | KET 440UL YR T3 | 40 A | 5 HP | 10 HP | 15 HP | 20 HP | 6419410348833 | 6419410349076 | 14-8 AWG | T3 | 2.4 |
| KET 460UL T4 | KET 460UL YR T4 | 60 A | 10 HP | 20 HP | 25 HP | 25 HP | 6419410348864 | 6419410349106 | 12-4 AWG | T4 | 3.4 |
| KET 480CUL T4 | KET 480CUL YR T4 | 80 A | 10 HP | 25 HP | 30 HP | 30 HP | 6419410351895 | 6419410351970 | 12-4 AWG | T4 | 3.4 |
| KET 480UL T4 | KET 480UL YR T4 | 80 A | 15 HP | 25 HP | 30 HP | 40 HP | 6419410348895 | 6419410349137 | 8-1/0 AWG | T4 | 3.6 |
| KET 4100UL T4 | KET 4100UL YR T4 | 100 A | 15 HP | 30 HP | 40 HP | 50 HP | 6419410348925 | 6419410349168 | 8-1/0 AWG | T4 | 3.6 |
| KET 4125UL T4 | KET 4125UL YR T4 | 125 A | 20 HP | 40 HP | 50 HP | 60 HP | 6419410348956 | 6419410349199 | 8-1/0 AWG | T4 | 3.6 |
| KET 4150UL T5 | KET 4150UL YR T5 | 150 A | 25 HP | 50 HP | 60 HP | 75 HP | 6419410348987 | 6419410349229 | 8-1/0 AWG | T5 | 8.2 |
| 6 poles | | | | | | | | | | | |
| KET 616UL T3 | KET 616UL YR T3 | 16 A | 3 HP | 7.5 HP | 10 HP | 7.5 HP | 6419410348789 | 6419410349021 | 14-8 AWG | T3 | 2.4 |
| KET 625UL T3 | KET 625UL YR T3 | 25 A | 5 HP | 10 HP | 15 HP | 10 HP | 6419410348819 | 6419410349052 | 14-8 AWG | T3 | 2.4 |
| KET 640UL T3 | KET 640UL YR T3 | 40 A | 7.5 HP | 15 HP | 20 HP | 15 HP | 6419410348840 | 6419410349083 | 14-8 AWG | T3 | 2.4 |
| KET 660UL T4 | KET 660UL YR T4 | 60 A | 10 HP | 20 HP | 25 HP | 25 HP | 6419410348871 | 6419410349113 | 12-4 AWG | T4 | 3.4 |
| KET 680CUL T4 | KET 680CUL YR T4 | 80 A | 10 HP | 25 HP | 30 HP | 30 HP | 6419410349243 | 6419410349250 | 12-4 AWG | T4 | 3.4 |
| KET 680UL T5 | KET 680UL YR T5 | 80 A | 15 HP | 25 HP | 30 HP | 40 HP | 6419410348901 | 6419410349144 | 8-1/0 AWG | T5 | 8.1 |
| KET 6100UL T5 | KET 6100UL YR T5 | 100 A | 15 HP | 30 HP | 40 HP | 50 HP | 6419410348932 | 6419410349175 | 8-1/0 AWG | T5 | 8.1 |
| KET 6125UL T5 | KET 6125UL YR T5 | 125 A | 20 HP | 40 HP | 50 HP | 60 HP | 6419410348963 | 6419410349205 | 8-1/0 AWG | T5 | 8.1 |
| KET 6150UL T5 | KET 6150UL YR T5 | 150 A | 25 HP | 50 HP | 60 HP | 75 HP | 6419410348994 | 6419410349236 | 8-1/0 AWG | T5 | 8.1 |

DISCOVER MORE



Dimensional drawings:

Dimensional drawings section of this catalogue (please note, UL listed enclosed products are delivered in solid (no cable entries) enclosures with the exception of EMC)

3D STEP files available:

www.katko.com/3d-models

Accessories available:

www.katko.com/products/accessories/

UL 60947-4-1A LISTED MANUAL MOTOR CONTROLLERS ALUMINIUM ENCLOSED 16-125 A



- NEMA: Type 4
- Across the line, motor starting- up to 75 HP / 600 V
- General use rating from 16 A to 125 A / 600 V
- Retrofit snap on auxiliary contacts
- UL 60947-4-1A



| Type | | Ampere rating (600 V) | 208 V | 415 V | 480 V | 600 V | EAN-Code | | Wire size Cu only | Enclosure | Weight kg |
|----------------|------------------|--------------------------|-------|--------|--------|-------|---------------|---------------|----------------------|-----------|--------------|
| Grey/Black | Yellow/Red | | | | | | Grey/Black | Yellow/Red | | | |
| 3 poles | | | | | | | | | | | |
| KEA 316UL A2 | KEA 316UL YR A2 | 16 A | 3 HP | 5 HP | 7.5 HP | 10 HP | 6419410348406 | 6419410348581 | 14-8 AWG | A2 | 1.1 |
| KEA 325UL A2 | KEA 325UL YR A2 | 30 A | 5 HP | 7.5 HP | 10 HP | 15 HP | 6419410348437 | 6419410348611 | 14-8 AWG | A2 | 1.1 |
| KEA 340UL A2 | KEA 340UL YR A2 | 40 A | 5 HP | 10 HP | 15 HP | 20 HP | 6419410348468 | 6419410348642 | 14-8 AWG | A2 | 1.1 |
| KEA 360UL A4 | KEA 360UL YR A4 | 60 A | 10HP | 20HP | 25HP | 25HP | 6419410348499 | 6419410348673 | 12-4 AWG | A4 | 2.6 |
| KEA 380CUL A4 | KEA 380CUL YR A4 | 80 A | 10HP | 25HP | 30HP | 30HP | 6419410351864 | 6419410351949 | 12-4 AWG | A4 | 2.6 |
| KEA 380UL A4 | KEA 380UL YR A4 | 80 A | 15HP | 25HP | 30HP | 40HP | 6419410348529 | 6419410348703 | 8-1/0 AWG | A4 | 3.0 |
| KEA 3100UL A4 | KEA 3100UL YR A4 | 100 A | 15HP | 30HP | 40HP | 50HP | 6419410348543 | 6419410348727 | 8-1/0 AWG | A4 | 3.0 |
| KEA 3125UL A4 | KEA 3125UL YR A4 | 125 A | 20HP | 40HP | 50HP | 60HP | 6419410348567 | 6419410348741 | 8-1/0 AWG | A4 | 3.0 |
| 4 poles | | | | | | | | | | | |
| KEA 416UL A2 | KEA 416UL YR A2 | 16 A | 3 HP | 5 HP | 7.5 HP | 10 HP | 6419410348413 | 6419410348598 | 14-8 AWG | A2 | 1.1 |
| KEA 425UL A2 | KEA 425UL YR A2 | 30 A | 5 HP | 7.5 HP | 10 HP | 15 HP | 6419410348444 | 6419410348628 | 14-8 AWG | A2 | 1.1 |
| KEA 440UL A2 | KEA 440UL YR A2 | 40 A | 5 HP | 10 HP | 15 HP | 20 HP | 6419410348475 | 6419410348659 | 14-8 AWG | A2 | 1.1 |
| KEA 460UL A4 | KEA 460UL YR A4 | 60 A | 10HP | 20HP | 25HP | 25HP | 6419410348505 | 6419410348680 | 12-4 AWG | A4 | 2.6 |
| KEA 480CUL A4 | KEA 480CUL YR A4 | 80 A | 10HP | 25HP | 30HP | 30HP | 6419410351871 | 6419410351956 | 12-4 AWG | A4 | 2.6 |
| KEA 480UL A4 | KEA 480UL YR A4 | 80 A | 15HP | 25HP | 30HP | 40HP | 6419410348536 | 6419410348710 | 8-1/0 AWG | A4 | 3.1 |
| KEA 4100UL A4 | KEA 4100UL YR A4 | 100 A | 15HP | 30HP | 40HP | 50HP | 6419410348550 | 6419410348734 | 8-1/0 AWG | A4 | 3.1 |
| KEA 4125UL A4 | KEA 4125UL YR A4 | 125 A | 20HP | 40HP | 50HP | 60HP | 6419410348574 | 6419410348758 | 8-1/0 AWG | A4 | 3.1 |
| 6 poles | | | | | | | | | | | |
| KEA 616UL A4 | KEA 616UL YR A4 | 16 A | 3HP | 7.5HP | 10HP | 7.5HP | 6419410348420 | 6419410348604 | 14-8 AWG | A4 | 2.6 |
| KEA 625UL A4 | KEA 625UL YR A4 | 25 A | 5HP | 10HP | 15HP | 10HP | 6419410348451 | 6419410348635 | 14-8 AWG | A4 | 2.6 |
| KEA 640UL A4 | KEA 640UL YR A4 | 40 A | 7.5HP | 15HP | 20HP | 15HP | 6419410348482 | 6419410348666 | 14-8 AWG | A4 | 2.6 |
| KEA 660UL A4 | KEA 660UL YR A4 | 60 A | 10HP | 20HP | 25HP | 25HP | 6419410348512 | 6419410348697 | 12-4 AWG | A4 | 2.6 |
| KEA 680CUL A4 | KET 680CUL YR T4 | 80 A | 10HP | 25HP | 30HP | 30HP | 6419410331811 | 6419410349250 | 12-4 AWG | A4 | 3.4 |

DISCOVER MORE



Dimensional drawings:

Dimensional drawings section of this catalogue (please note, UL listed enclosed products are delivered in solid (no cable entries) enclosures with the exception of EMC)

3D STEP files available:

www.katko.com/3d-models

Accessories available:

www.katko.com/products/accessories/



UL 60947-4-1A LISTED STAINLESS STEEL ENCLOSED MANUAL MOTOR CONTROLLERS WITH DISCONNECTOR MEANS 16-125 A

- Excellent for environments where hygiene and good protection against corrosion are required
- NEMA: Type 4X
- Across the line, motor starting- up to 75 HP / 600 V
- General use rating from 16 A to 125 A / 600 V
- Retrofit snap on auxiliary contacts
- Padlockable
- UL 60947-4-1A



| Type | | Ampere rating (600 V) | 208V | 415V | 480V | 600V | EAN-Code | | Wire size Cu only | Enclosure | Weight kg |
|----------------|-------------------|--------------------------|--------|--------|--------|--------|---------------|---------------|----------------------|-----------|--------------|
| Grey/black | Yellow/red | | | | | | Grey/black | Yellow/red | | | |
| 3 poles | | | | | | | | | | | |
| KER 316UL RA2 | KER 316UL YR RA2 | 16 A | 3 HP | 5 HP | 7.5 HP | 10 HP | 6419410347300 | 6419410347546 | 14-8 AWG | RA2 | 0.6 |
| KER 330UL RA2 | KER 330UL YR RA2 | 30 A | 5 HP | 7.5 HP | 10 HP | 15 HP | 6419410347317 | 6419410347553 | 14-8 AWG | RA2 | 0.6 |
| KER 340UL RA2 | KER 340UL YR RA2 | 40 A | 5 HP | 10 HP | 15 HP | 20 HP | 6419410347362 | 6419410347607 | 14-8 AWG | RA2 | 0.6 |
| KER 360UL RA4 | KER 360UL YR RA4 | 60 A | 10 HP | 20 HP | 25 HP | 25 HP | 6419410347393 | 6419410347638 | 12-4 AWG | RA4 | 2.4 |
| KER 380CUL RA4 | KER 380CUL YR RA4 | 80 A | 10 HP | 25 HP | 30 HP | 30 HP | 6419410351901 | 6419410351987 | 12-4 AWG | RA4 | 2.4 |
| KER 380UL RA4 | KER 380UL YR RA4 | 80 A | 15 HP | 25 HP | 30 HP | 40 HP | 6419410347423 | 6419410347669 | 8-1/0 AWG | RA4 | 2.8 |
| KER 3100UL RA4 | KER 3100UL YR RA4 | 100 A | 15 HP | 30 HP | 40 HP | 50 HP | 6419410347454 | 6419410347690 | 8-1/0 AWG | RA4 | 2.8 |
| KER 3125UL RA4 | KER 3125UL YR RA4 | 125 A | 20 HP | 40 HP | 50 HP | 60 HP | 6419410347485 | 6419410347720 | 8-1/0 AWG | RA4 | 2.8 |
| 4 poles | | | | | | | | | | | |
| KER 416UL RA2 | KER 416UL YR RA2 | 16 A | 3 HP | 5 HP | 7.5 HP | 10 HP | 6419410347324 | 6419410347560 | 14-8 AWG | RA2 | 0.6 |
| KER 430UL RA2 | KER 430UL YR RA2 | 30 A | 5 HP | 7.5 HP | 10 HP | 15 HP | 6419410347331 | 6419410347577 | 14-8 AWG | RA2 | 0.6 |
| KER 440UL RA2 | KER 440UL YR RA2 | 40 A | 5 HP | 10 HP | 15 HP | 20 HP | 6419410347379 | 6419410347614 | 14-8 AWG | RA2 | 0.6 |
| KER 460UL RA4 | KER 460UL YR RA4 | 60 A | 10 HP | 20 HP | 25 HP | 25 HP | 6419410347409 | 6419410347645 | 12-4 AWG | RA4 | 2.4 |
| KER 480CUL RA4 | KER 480CUL YR RA4 | 80 A | 10 HP | 25 HP | 30 HP | 30 HP | 6419410351918 | 6419410351994 | 12-4 AWG | RA4 | 2.4 |
| KER 480UL RA4 | KER 480UL YR RA4 | 80 A | 15 HP | 25 HP | 30 HP | 40 HP | 6419410347430 | 6419410347676 | 8-1/0 AWG | RA4 | 2.9 |
| KER 4100UL RA4 | KER 4100UL YR RA4 | 100 A | 15 HP | 30 HP | 40 HP | 50 HP | 6419410347461 | 6419410347706 | 8-1/0 AWG | RA4 | 2.9 |
| KER 4125UL RA4 | KER 4125UL YR RA4 | 125 A | 20 HP | 40 HP | 50 HP | 60 HP | 6419410347492 | 6419410347737 | 8-1/0 AWG | RA4 | 2.9 |
| 6 poles | | | | | | | | | | | |
| KER 616UL RA4 | KER 616UL YR RA4 | 16 A | 3 HP | 7.5 HP | 10 HP | 7.5 HP | 6419410347348 | 6419410347584 | 14-8 AWG | RA4 | 2.4 |
| KER 625UL RA4 | KER 625UL YR RA4 | 25 A | 5 HP | 10 HP | 15 HP | 10 HP | 6419410347355 | 6419410347591 | 14-8 AWG | RA4 | 2.4 |
| KER 640UL RA4 | KER 640UL YR RA4 | 40 A | 7.5 HP | 15 HP | 20 HP | 15 HP | 6419410347386 | 6419410347621 | 14-8 AWG | RA4 | 2.4 |
| KER 660UL RA4 | KER 660UL YR RA4 | 60 A | 10 HP | 20 HP | 25 HP | 25 HP | 6419410347416 | 6419410347652 | 12-4 AWG | RA4 | 2.4 |
| KER 680CUL RA4 | KER 680CUL YR RA4 | 80 A | 10 HP | 25 HP | 30 HP | 30 HP | 6419410347287 | 6419410347294 | 12-4 AWG | RA4 | 2.4 |

DISCOVER MORE



Dimensional drawings:

Dimensional drawings section of this catalogue (please note, UL listed enclosed products are delivered in solid (no cable entries) enclosures with the exception of EMC)

3D STEP files available:

www.katko.com/3d-models

Accessories available:

www.katko.com/products/accessories/

UL 60947-4-1A LISTED STAINLESS STEEL ENCLOSED MANUAL MOTOR CONTROLLERS WITH DISCONNECTOR MEANS (KER R/RS) 16-125 A



- Excellent for environments where hygiene and good protection against corrosion are required
- Designed for hygienic and heavy environments
- Manual motor controller with disconnecter means
- NEMA: Type 4X
- Across the line, motor starting up to 75 HP/600 V
- General use rating from 16A to 125A/600V
- Retrofit snap on auxiliary contacts
- Padlockable
- UL 60947-4-1A



| Type | | Ampere rating (600 V) | 208V | 415V | 480V | 600V | Wire size Cu only | Enclosure | EAN code | | Weight kg |
|------------------------|----------------------|-----------------------|-------|--------|--------|-------|-------------------|------------|---------------|---------------|-----------|
| Without angled top (R) | With angled top (RS) | | | | | | | | R | RS | |
| 3 poles | | | | | | | | | | | |
| KER 316UL RA2R | KER 316UL RA2RS | 16 A | 3 HP | 5 HP | 7.5 HP | 10 HP | 14-8 AWG | RA2R/RA2RS | 6419410307250 | 6419410307267 | 1.9 |
| KER 330UL RA2R | KER 330UL RA2RS | 30 A | 5 HP | 7.5 HP | 10 HP | 15 HP | 14-8 AWG | RA2R/RA2RS | 6419410307274 | 6419410307281 | 1.9 |
| KER 340UL RA2R | KER 340UL RA2RS | 40 A | 5 HP | 10 HP | 15 HP | 20 HP | 14-8 AWG | RA2R/RA2RS | 6419410307298 | 6419410307304 | 1.9 |
| KER 360UL RA4R | KER 360UL RA4RS | 60 A | 10HP | 20HP | 25HP | 25HP | 12-4 AWG | RA4R/RA4RS | 6419410307311 | 6419410307328 | 3.2 |
| KER 380UL RA4R | KER 380UL RA4RS | 80 A | 10HP | 25HP | 30HP | 30HP | 12-4 AWG | RA4R/RA4RS | 6419410307335 | 6419410307342 | 3.5 |
| KER 380CUL RA4R | KER 380CUL RA4RS | 80 A | 15HP | 25HP | 30HP | 40HP | 8-1/0 AWG | RA4R/RA4RS | 6419410307359 | 6419410307366 | 3.2 |
| KER 3100UL RA4R | KER 3100UL RA4RS | 100 A | 15HP | 30HP | 40HP | 50HP | 8-1/0 AWG | RA4R/RA4RS | 6419410307373 | 6419410307380 | 3.6 |
| KER 3125UL RA4R | KER 3125UL RA4RS | 125 A | 20HP | 40HP | 50HP | 60HP | 8-1/0 AWG | RA4R/RA4RS | 6419410307397 | 6419410307403 | 3.6 |
| 4 poles | | | | | | | | | | | |
| KER 416UL RA2R | KER 416UL RA2RS | 16 A | 3HP | 7.5HP | 10HP | 7.5HP | 14-8 AWG | RA2R/RA2RS | 6419410307410 | 6419410307427 | 1.9 |
| KER 430UL RA2R | KER 430UL RA2RS | 25 A | 5HP | 10HP | 15HP | 10HP | 14-8 AWG | RA2R/RA2RS | 6419410307434 | 6419410307441 | 1.9 |
| KER 440UL RA2R | KER 440UL RA2RS | 40 A | 7.5HP | 15HP | 20HP | 15HP | 14-8 AWG | RA2R/RA2RS | 6419410307458 | 6419410307458 | 1.9 |
| KER 460UL RA4R | KER 460UL RA4RS | 60 A | 10HP | 20HP | 25HP | 25HP | 12-4 AWG | RA4R/RA4RS | 6419410307472 | 6419410307489 | 3.2 |
| KER 480UL RA4R | KER 480UL RA4RS | 80 A | 10HP | 25HP | 30HP | 30HP | 12-4 AWG | RA4R/RA4RS | 6419410307496 | 6419410307502 | 3.7 |
| KER 480CUL RA4R | KER 480CUL RA4RS | 80 A | 15HP | 25HP | 30HP | 40HP | 8-1/0 AWG | RA4R/RA4RS | 6419410307519 | 6419410307526 | 3.2 |
| KER 4100UL RA4R | KER 4100UL RA4RS | 100 A | 15HP | 30HP | 40HP | 50HP | 8-1/0 AWG | RA4R/RA4RS | 6419410307533 | 6419410307540 | 3.7 |
| KER 4125UL RA4R | KER 4125UL RA4RS | 125 A | 20HP | 40HP | 50HP | 60HP | 8-1/0 AWG | RA4R/RA4RS | 6419410307557 | 6419410307564 | 3.7 |
| 6 poles | | | | | | | | | | | |
| KER 616UL RA4R | KER 616UL RA4RS | 16 A | 3HP | 7.5HP | 10HP | 7.5HP | 14-8 AWG | RA4R/RA4RS | 6419410307571 | 6419410307588 | 3.2 |
| KER 625UL RA4R | KER 625UL RA4RS | 25 A | 5HP | 10HP | 15HP | 10HP | 14-8 AWG | RA4R/RA4RS | 6419410307595 | 6419410307601 | 3.2 |
| KER 640UL RA4R | KER 640UL RA4RS | 40 A | 7.5HP | 15HP | 20HP | 15HP | 14-8 AWG | RA4R/RA4RS | 6419410307618 | 6419410307625 | 3.2 |
| KER 660UL RA4R | KER 660UL RA4RS | 60 A | 10HP | 20HP | 25HP | 25HP | 12-4 AWG | RA4R/RA4RS | 6419410307632 | 6419410307649 | 3.2 |
| KER 680CUL RA4R | KER 680CUL RA4RS | 80 A | 10HP | 25HP | 30HP | 30HP | 12-4 AWG | RA4R/RA4RS | 6419410307670 | 6419410307687 | 3.2 |

DISCOVER MORE



Dimensional drawings:

Dimensional drawings section of this catalogue (please note, UL listed enclosed products are delivered in solid (no cable entries) enclosures with the exception of EMC)

3D STEP files available:

www.katko.com/3d-models

Accessories available:

www.katko.com/products/accessories/

UL 60947-4-1A LISTED EMC PROTECTED ENCLOSED MANUAL MOTOR CONTROLLERS WITH DISCONNECTOR MEANS 16-150 A



- Electromagnetic compatibility ensures safe operation in environments with electromagnetic disturbance
- Tested according to EN 55011 with EMC glands shielded power cable
- Also available as 4-, 6- and 8-pole versions
- Padlockable
- Easy to install auxiliary contacts
- NEMA: Type 4X (polycarbonate (M2, M3, MF10, MF11), stainless steel AISI 316L (RA2, RA4) enclosures)
- NEMA: Type 4 (aluminium (A2, A4) and sheet steel (T3, T4, T5) enclosures)
- Up to 150A/75HP/600V
- EMC cable glands included

| Type | | Ampere rating (600 V) | 208V | 415V | 480V | 600V | EAN-Code | | Wire size Cu only | Enclosure | Weight kg |
|------------------------------------|---------------------------------------|-----------------------|--------|--------|-------|--------|---------------|---------------|-------------------|-----------|-----------|
| Grey/black | Yellow/red | | | | | | Grey/black | Yellow/red | | | |
| Polycarbonate enclosures | | | | | | | | | | | |
| KEM 316UL M2EMC 2XM25MEMC | KEM 316UL YR M2EMC 2XM25MEMC | 16 A | 3 HP | 7.5 HP | 10 HP | 7.5 HP | 6419410307922 | 6419410307984 | 14-8 AWG | M2 | 0.5 |
| KEM 325UL M2EMC 2XM25MEMC | KEM 325UL YR M2EMC 2XM25MEMC | 25 A | 5 HP | 10 HP | 15 HP | 10 HP | 6419410307939 | 6419410307991 | 14-8 AWG | M2 | 0.5 |
| KEM 340UL M3EMC 2XM25MEMC | KEM 340UL YR M3EMC 2XM25MEMC | 40 A | 7.5 HP | 15 HP | 20 HP | 15 HP | 6419410307946 | 6419410308004 | 14-8 AWG | M3 | 0.8 |
| KEM 360UL M3EMC 2XM32MEMC | KEM 360UL YR M3EMC 2XM32MEMC | 60 A | 10 HP | 20 HP | 25 HP | 25 HP | 6419410307953 | 6419410308011 | 12-4 AWG | M3 | 0.8 |
| KEM 380CUL M3EMC 2XM32MEMC | KEM 380CUL YR M3EMC 2XM32MEMC | 80 A | 10 HP | 25 HP | 30 HP | 30 HP | 6419410307960 | 6419410308028 | 12-4 AWG | M3 | 0.8 |
| KEM 380UL M3EMC 2XM32MEMC | KEM 380UL YR M3EMC 2XM32MEMC | 80 A | 15 HP | 25 HP | 30 HP | 40 HP | 6419410307977 | 6419410308035 | 8-1/0 AWG | M3 | 1.2 |
| Aluminium enclosures | | | | | | | | | | | |
| KEA 316UL A2EMC 2XM25MEMC KST16M | KEA 316UL YR A2EMC 2XM25MEMC KST16M | 16 A | 3 HP | 7.5 HP | 10 HP | 7.5 HP | 6419410308806 | 6419410308882 | 14-8 AWG | A2 | 1.1 |
| KEA 325UL A2EMC 2XM25MEMC KST16M | KEA 325UL YR A2EMC 2XM25MEMC KST16M | 25 A | 5 HP | 10 HP | 15 HP | 10 HP | 6419410308813 | 6419410308899 | 14-8 AWG | A2 | 1.1 |
| KEA 340UL A2EMC 2XM25MEMC KST16M | KEA 340UL YR A2EMC 2XM25MEMC KST16M | 40 A | 7.5 HP | 15 HP | 20 HP | 15 HP | 6419410308820 | 6419410308905 | 14-8 AWG | A2 | 1.1 |
| KEA 360UL A4EMC 2XM40MEMC KST16M | KEA 360UL YR A4EMC 2XM40MEMC KST16M | 60 A | 10 HP | 20 HP | 25 HP | 25 HP | 6419410308837 | 6419410308912 | 12-4 AWG | A4 | 2.8 |
| KEA 380CUL A4EMC 2XM40MEMC KST16M | KEA 380CUL YR A4EMC 2XM40MEMC KST16M | 80 A | 10 HP | 25 HP | 30 HP | 30 HP | 6419410308844 | 6419410308929 | 12-4 AWG | A4 | 2.8 |
| KEA 380UL A4EMC 2XM40MEMC KST16M | KEA 380UL YR A4EMC 2XM40MEMC KST16M | 80 A | 15 HP | 25 HP | 30 HP | 40 HP | 6419410308851 | 6419410308936 | 8-1/0 AWG | A4 | 3.1 |
| KEA 3100UL A4EMC 2XM40MEMC KST16M | KEA 3100UL YR A4EMC 2XM40MEMC KST16M | 100 A | 15 HP | 30 HP | 40 HP | 50 HP | 6419410308868 | 6419410308943 | 8-1/0 AWG | A4 | 3.2 |
| KEA 3125UL A4EMC 2XM40MEMC KST16M | KEA 3125UL YR A4EMC 2XM40MEMC KST16M | 125 A | 20 HP | 40 HP | 50 HP | 60 HP | 6419410308875 | 6419410308950 | 8-1/0 AWG | A4 | 3.2 |
| Sheet steel enclosures | | | | | | | | | | | |
| KET 316UL T3EMC 2XM25MEMC KST16M | KET 316UL YR T3EMC 2XM25MEMC KST16M | 16 A | 3 HP | 7.5 HP | 10 HP | 7.5 HP | 6419410308264 | 6419410308356 | 14-8 AWG | T3 | 1.2 |
| KET 325UL T3EMC 2XM25MEMC KST16M | KET 325UL YR T3EMC 2XM25MEMC KST16M | 25 A | 5 HP | 10 HP | 15 HP | 10 HP | 6419410308271 | 6419410308363 | 14-8 AWG | T3 | 1.2 |
| KET 340UL T3EMC 2XM25MEMC KST16M | KET 340UL YR T3EMC 2XM25MEMC KST16M | 40 A | 7.5 HP | 15 HP | 20 HP | 15 HP | 6419410308288 | 6419410308370 | 14-8 AWG | T3 | 1.2 |
| KET 360UL T4EMC 2XM32MEMC KST16M | KET 360UL YR T4EMC 2XM32MEMC KST16M | 60 A | 10 HP | 20 HP | 25 HP | 25 HP | 6419410308295 | 6419410308387 | 12-4 AWG | T4 | 3.0 |
| KET 380CUL T4EMC 2XM32MEMC KST16M | KET 380CUL YR T4EMC 2XM32MEMC KST16M | 80 A | 10 HP | 25 HP | 30 HP | 30 HP | 6419410308301 | 6419410308394 | 12-4 AWG | T4 | 3.1 |
| KET 380UL T4EMC 2XM32MEMC KST16M | KET 380UL YR T4EMC 2XM32MEMC KST16M | 80 A | 15 HP | 25 HP | 30 HP | 40 HP | 6419410308318 | 6419410308407 | 8-1/0 AWG | T4 | 3.2 |
| KET 3100UL T4EMC 2XM40MEMC | KET 3100UL YR T4EMC 2XM40MEMC | 100 A | 15 HP | 30 HP | 40 HP | 50 HP | 6419410308325 | 6419410308417 | 8-1/0 AWG | T4 | 3.7 |
| KET 3125UL T4EMC 2XM40MEMC | KET 3125UL YR T4EMC 2XM40MEMC | 125 A | 20 HP | 40 HP | 50 HP | 60 HP | 6419410308332 | 6419410308424 | 8-1/0 AWG | T4 | 3.7 |
| KET 3150UL T5EMC 2XM40MEMC | KET 3150UL YR T5EMC 2XM40MEMC | 150 A | 25 HP | 50 HP | 60 HP | 75 HP | 6419410308349 | 6419410308431 | 8-1/0 AWG | T5 | 8.3 |
| Stainless steel enclosures | | | | | | | | | | | |
| KER 316UL RA2EMC 2XM25MEMC KST16M | KER 316UL YR RA2EMC 2XM25MEMC KST16M | 16 A | 3 HP | 7.5 HP | 10 HP | 7.5 HP | 6419410309223 | 6419410309308 | 14-8 AWG | RA2 | 0.7 |
| KER 325UL RA2EMC 2XM25MEMC KST16M | KER 325UL YR RA2EMC 2XM25MEMC KST16M | 25 A | 5 HP | 10 HP | 15 HP | 10 HP | 6419410309230 | 6419410309315 | 14-8 AWG | RA2 | 0.7 |
| KER 340UL RA2EMC 2XM25MEMC KST16M | KER 340UL YR RA2EMC 2XM25MEMC KST16M | 40 A | 7.5 HP | 15 HP | 20 HP | 15 HP | 6419410309247 | 6419410309322 | 14-8 AWG | RA2 | 0.7 |
| KER 360UL RA4EMC 2XM32MEMC KST16M | KER 360UL YR RA4EMC 2XM32MEMC KST16M | 60 A | 10 HP | 20 HP | 25 HP | 25 HP | 6419410309254 | 6419410309339 | 12-4 AWG | RA4 | 2.5 |
| KER 380CUL RA4EMC 2XM32MEMC KST16M | KER 380CUL YR RA4EMC 2XM32MEMC KST16M | 80 A | 10 HP | 25 HP | 30 HP | 30 HP | 6419410309261 | 6419410309346 | 12-4 AWG | RA4 | 2.5 |
| KER 380UL RA4EMC 2XM32MEMC KST16M | KER 380UL YR RA4EMC 2XM32MEMC KST16M | 80 A | 15 HP | 25 HP | 30 HP | 40 HP | 6419410309278 | 6419410309353 | 8-1/0 AWG | RA4 | 2.9 |
| KER 3100UL RA4EMC 2XM40MEMC KST16M | KER 3100UL YR RA4EMC 2XM40MEMC KST16M | 100 A | 15 HP | 30 HP | 40 HP | 50 HP | 6419410309285 | 6419410309360 | 8-1/0 AWG | RA4 | 3.0 |
| KER 3125UL RA4EMC 2XM40MEMC KST16M | KER 3125UL YR RA4EMC 2XM40MEMC KST16M | 125 A | 20 HP | 40 HP | 50 HP | 60 HP | 6419410309292 | 6419410309377 | 8-1/0 AWG | RA4 | 2.9 |

DISCOVER MORE



Dimensional drawings:

Dimensional drawings section of this catalogue

3D STEP files available:

www.katko.com/3d-models

Accessories available:

www.katko.com/products/accessories/

UL LISTED ENCLOSED MANUAL MOTOR CONTROLLERS ISF-SERIES 16-40A



- Contains the new KATKO LoadSafe KU 16 - 40 A switch
- NEMA: Type 4X (polycarbonate (M2 & M3) and acid proof steel AISI 316L (RA2, RA4, RA2R & RA2RS) enclosures)
- NEMA: Type 4 (aluminium (A2) and sheet steel (T3) enclosures)
- Side-mounted auxiliary contacts
- Across the line, motor starting up to 20 HP / 600 V
- General use rating 16 A to 40 A / 600 V
- More wiring space
- Padlockable

| Type | | Ampere rating (600 V) | 208 V | 415 V | 480 V | 600 V | EAN-Code | | Wire size Cu only | Enclosure | Weight kg |
|--------------------|------------------|--------------------------|-------|--------|--------|-------|--------------------|-----------------|----------------------|------------|--------------|
| Grey/black | Yellow/red | | | | | | Grey/black | Yellow/red | | | |
| ISF 316UL M2 | ISF 316UL YR M2 | 16 A | 3 HP | 5 HP | 7.5 HP | 10 HP | 6419410294840 | 6419410294864 | 14-8 AWG | M2 | 0.4 |
| ISF 330UL M2 | ISF 330UL YR M2 | 30 A | 5 HP | 7.5 HP | 10 HP | 15 HP | 6419410294758 | 6419410341957 | 14-8 AWG | M2 | 0.4 |
| ISF 316UL M3 | ISF 316UL YR M3 | 16 A | 3 HP | 5 HP | 7.5 HP | 10 HP | 6419410294949 | 6419410294932 | 14-8 AWG | M3 | 0.7 |
| ISF 330UL M3 | ISF 330UL YR M3 | 30 A | 5 HP | 7.5 HP | 10 HP | 15 HP | 6419410346860 | 6419410294888 | 14-8 AWG | M3 | 0.7 |
| ISF 340UL M3 | ISF 340UL YR M3 | 40 A | 5 HP | 10 HP | 15 HP | 20 HP | 6419410294772 | 6419410294826 | 14-8 AWG | M3 | 0.7 |
| ISF 416UL M2 | ISF 416UL YR M2 | 16 A | 3 HP | 5 HP | 7.5 HP | 10 HP | 6419410294857 | 6419410294871 | 14-8AWG | M2 | 0.4 |
| ISF 430UL M2 | ISF 430UL YR M2 | 30 A | 5 HP | 7.5 HP | 10 HP | 15 HP | 6419410294765 | 6419410294819 | 14-8AWG | M2 | 0.4 |
| ISF 416UL M3 | ISF 416UL YR M3 | 16 A | 3 HP | 5 HP | 7.5 HP | 10 HP | 6419410346761 | 6419410346778 | 14-8 AWG | M3 | 0.7 |
| ISF 430UL M3 | ISF 430UL YR M3 | 30 A | 5 HP | 7.5 HP | 10 HP | 15 HP | 6419410346785 | 6419410346792 | 14-8 AWG | M3 | 0.7 |
| ISF 440UL M3 | ISF 440UL YR M3 | 40 A | 5 HP | 10 HP | 15 HP | 20 HP | 6419410294789 | 6419410294833 | 14-8 AWG | M3 | 0.7 |
| ISF 316UL T3 | ISF 316UL YR T3 | 16 A | 3 HP | 5 HP | 7.5 HP | 10 HP | 6419410294628 | 6419410294680 | 14-8 AWG | T3 | 2.4 |
| ISF 330UL T3 | ISF 330UL YR T3 | 30 A | 5 HP | 7.5 HP | 10 HP | 15 HP | 6419410294642 | 6419410294710 | 14-8 AWG | T3 | 2.4 |
| ISF 340UL T3 | ISF 340UL YR T3 | 40 A | 5 HP | 10 HP | 15 HP | 20 HP | 6419410294666 | 6419410294734 | 14-8 AWG | T3 | 2.4 |
| ISF 416UL T3 | ISF 416UL YR T3 | 16 A | 3 HP | 5 HP | 7.5 HP | 10 HP | 6419410294635 | 6419410294697 | 14-8 AWG | T3 | 2.4 |
| ISF 430UL T3 | ISF 430UL YR T3 | 30 A | 5 HP | 7.5 HP | 10 HP | 15 HP | 6419410294659 | 6419410294727 | 14-8 AWG | T3 | 2.4 |
| ISF 440UL T3 | ISF 440UL YR T3 | 40 A | 5 HP | 10 HP | 15 HP | 20 HP | 6419410294673 | 6419410294741 | 14-8 AWG | T3 | 2.4 |
| ISF 316UL A2 | ISF 316UL YR A2 | 16 A | 3 HP | 5 HP | 7.5 HP | 10 HP | 6419410294482 | 6419410294550 | 14-8 AWG | A2 | 1.1 |
| ISF 330UL A2 | ISF 330UL YR A2 | 30 A | 5 HP | 7.5 HP | 10 HP | 15 HP | 6419410294512 | 6419410294574 | 14-8 AWG | A2 | 1.1 |
| ISF 340UL A2 | ISF 340UL YR A2 | 40 A | 5 HP | 10 HP | 15 HP | 20 HP | 6419410294536 | 6419410294598 | 14-8 AWG | A2 | 1.1 |
| ISF 416UL A2 | ISF 416UL YR A2 | 16 A | 3 HP | 5 HP | 7.5 HP | 10 HP | 6419410294499 | 6419410294567 | 14-8 AWG | A2 | 1.1 |
| ISF 430UL A2 | ISF 430UL YR A2 | 30 A | 5 HP | 7.5 HP | 10 HP | 15 HP | 6419410294529 | 6419410294581 | 14-8 AWG | A2 | 1.1 |
| ISF 440UL A2 | ISF 440UL YR A2 | 40 A | 5 HP | 10 HP | 15 HP | 20 HP | 6419410294543 | 6419410294611 | 14-8 AWG | A2 | 1.1 |
| ISF 316UL RA2 | ISF 316UL YR RA2 | 16 A | 3 HP | 5 HP | 7.5 HP | 10 HP | 6419410294352 | 6419410294420 | 14-8 AWG | RA2 | 0.6 |
| ISF 330UL RA2 | ISF 330UL YR RA2 | 30 A | 5 HP | 7.5 HP | 10 HP | 15 HP | 6419410294246 | 6419410294437 | 14-8 AWG | RA2 | 0.6 |
| ISF 340UL RA2 | ISF 340UL YR RA2 | 40 A | 5 HP | 10 HP | 15 HP | 20 HP | 6419410294390 | 6419410294468 | 14-8 AWG | RA2 | 0.6 |
| ISF 416UL RA2 | ISF 416UL YR RA2 | 16 A | 3 HP | 5 HP | 7.5 HP | 10 HP | 6419410294376 | 6419410294444 | 14-8 AWG | RA2 | 0.6 |
| ISF 430UL RA2 | ISF 430UL YR RA2 | 30 A | 5 HP | 7.5 HP | 10 HP | 15 HP | 6419410294383 | 6419410294451 | 14-8 AWG | RA2 | 0.6 |
| ISF 440UL RA2 | ISF 440UL YR RA2 | 40 A | 5 HP | 10 HP | 15 HP | 20 HP | 6419410294413 | 6419410294475 | 14-8 AWG | RA2 | 0.6 |
| ISF 416UL RA4 | ISF 416UL YR RA4 | 16 A | 3 HP | 5 HP | 7.5 HP | 10 HP | 6419410294895 | 6419410346808 | 14-8 AWG | RA4 | 2.4 |
| ISF 430UL RA4 | ISF 430UL YR RA4 | 30 A | 5 HP | 7.5 HP | 10 HP | 15 HP | 6419410294918 | 6419410346815 | 14-8 AWG | RA4 | 2.4 |
| ISF 440UL RA4 | ISF 440UL YR RA4 | 40 A | 5 HP | 10 HP | 15 HP | 20 HP | 6419410294925 | 6419410346822 | 14-8 AWG | RA4 | 2.4 |
| Without angled top | With angled top | | | | | | Without angled top | With angled top | | | |
| ISF 316UL RA2R | ISF 316UL RA2RS | 16 A | 3 HP | 5 HP | 7.5 HP | 10 HP | 6419410294222 | 6419410294239 | 14-8 AWG | RA2R/RA2RS | 1.9 |
| ISF 330UL RA2R | ISF 330UL RA2RS | 30 A | 5 HP | 7.5 HP | 10 HP | 15 HP | 6419410294369 | 6419410294253 | 14-8 AWG | RA2R/RA2RS | 1.9 |
| ISF 340UL RA2R | ISF 340UL RA2RS | 40 A | 5 HP | 10 HP | 15 HP | 20 HP | 6419410294260 | 6419410294277 | 14-8 AWG | RA2R/RA2RS | 1.9 |
| ISF 416UL RA2R | ISF 416UL RA2RS | 16 A | 3HP | 7.5HP | 10HP | 7.5HP | 6419410294284 | 6419410294291 | 14-8 AWG | RA2R/RA2RS | 1.9 |
| ISF 430UL RA2R | ISF 430UL RA2RS | 25 A | 5HP | 10HP | 15HP | 10HP | 6419410294314 | 6419410294321 | 14-8 AWG | RA2R/RA2RS | 1.9 |
| ISF 440UL RA2R | ISF 440UL RA2RS | 40 A | 7.5HP | 15HP | 20HP | 15HP | 6419410294338 | 6419410294345 | 14-8 AWG | RA2R/RA2RS | 1.9 |

UL LISTED ENCLOSED MANUAL MOTOR CONTROLLERS ISF-SERIES WITH FIXED AUXILIARY CONTACTS 16-40A



- Contains the new KATKO LoadSafe KU 16 - 40 A switch
- NEMA: Type 4X (polycarbonate (M2 & M3) and acid proof steel AISI 316L (RA2) enclosures)
- NEMA: Type 4 (aluminium (A2) and sheet steel (T3) enclosures)
- With fixed NO auxiliary contact
- Across the line, motor starting up to 20 HP / 600 V
- General use rating 16 A to 40 A / 600 V
- More wiring space
- Padlockable



| Type | | Ampere rating (600 V) | 208 V | 415 V | 480 V | 600 V | EAN-Code | | Wire size Cu only | Enclosure | Weight kg |
|-----------------|--------------------|--------------------------|-------|--------|--------|-------|---------------|---------------|----------------------|-----------|--------------|
| Grey/Black | Yellow/Red | | | | | | Grey/Black | Yellow/Red | | | |
| 3 poles | | | | | | | | | | | |
| ISF 316NOUL M2 | ISF 316NOUL YR M2 | 16 A | 3 HP | 5 HP | 7.5 HP | 10 HP | 6419410344835 | 6419410344866 | 14-8 AWG | M2 | 0.4 |
| ISF 330NOUL M2 | ISF 330NOUL YR M2 | 30 A | 5 HP | 7.5 HP | 10 HP | 15 HP | 6419410344712 | 6419410344774 | 14-8 AWG | M2 | 0.4 |
| ISF 316NOUL M3 | ISF 316NOUL YR M3 | 16 A | 3 HP | 5 HP | 7.5 HP | 10 HP | 6419410344934 | 6419410344927 | 14-8 AWG | M3 | 0.7 |
| ISF 330NOUL M3 | ISF 330NOUL YR M3 | 30 A | 5 HP | 7.5 HP | 10 HP | 15 HP | 6419410347119 | 6419410344880 | 14-8 AWG | M3 | 0.7 |
| ISF 340NOUL M3 | ISF 340NOUL YR M3 | 40 A | 5 HP | 10 HP | 15 HP | 20 HP | 6419410344750 | 6419410344798 | 14-8 AWG | M3 | 0.7 |
| ISF 316NOUL T3 | ISF 316NOUL YR T3 | 16 A | 3 HP | 5 HP | 7.5 HP | 10 HP | 6419410344552 | 6419410344637 | 14-8 AWG | T3 | 2.4 |
| ISF 330NOUL T3 | ISF 330NOUL YR T3 | 30 A | 5 HP | 7.5 HP | 10 HP | 15 HP | 6419410344576 | 6419410344668 | 14-8 AWG | T3 | 2.4 |
| ISF 340NOUL T3 | ISF 340NOUL YR T3 | 40 A | 5 HP | 10 HP | 15 HP | 20 HP | 6419410344590 | 6419410344682 | 14-8 AWG | T3 | 2.4 |
| ISF 316NOUL A2 | ISF 316NOUL YR A2 | 16 A | 3 HP | 5 HP | 7.5 HP | 10 HP | 6419410344378 | 6419410344460 | 14-8 AWG | A2 | 1.1 |
| ISF 330NOUL A2 | ISF 330NOUL YR A2 | 30 A | 5 HP | 7.5 HP | 10 HP | 15 HP | 6419410344392 | 6419410344484 | 14-8 AWG | A2 | 1.1 |
| ISF 340NOUL A2 | ISF 340NOUL YR A2 | 40 A | 5 HP | 10 HP | 15 HP | 20 HP | 6419410344439 | 6419410344514 | 14-8 AWG | A2 | 1.1 |
| ISF 316NOUL RA2 | ISF 316NOUL YR RA2 | 16 A | 3 HP | 5 HP | 7.5 HP | 10 HP | 6419410343524 | 6419410344286 | 14-8 AWG | RA2 | 0.6 |
| ISF 330NOUL RA2 | ISF 330NOUL YR RA2 | 30 A | 5 HP | 7.5 HP | 10 HP | 15 HP | 6419410343531 | 6419410344293 | 14-8 AWG | RA2 | 0.6 |
| ISF 340NOUL RA2 | ISF 340NOUL YR RA2 | 40 A | 5 HP | 10 HP | 15 HP | 20 HP | 6419410344262 | 6419410344354 | 14-8 AWG | RA2 | 0.6 |

DISCOVER MORE



Dimensional drawings:

Dimensional drawings section of this catalogue (please note, UL listed enclosed products are delivered in solid (no cable entries) enclosures with the exception of EMC)

3D STEP files available:

www.katko.com/3d-models

Accessories available:

www.katko.com/products/accessories/

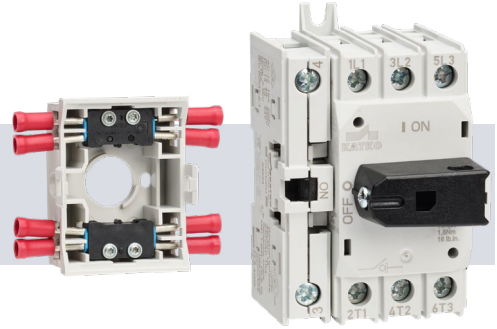


ISF series with new KU
16-40 A switches

ACCESSORIES



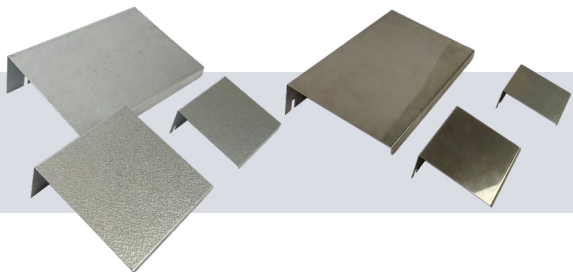
AUXILIARY CONTACTS



METAL, METRIC CABLE GLANDS



PLASTIC, METRIC CABLE GLANDS



PROTECTIVE ROOFS



CONDITIONS OF SALE

1. Validity

These conditions are subject to any special stipulations set out by KATKO Oy (hereinafter "Katko") in the Agreement documents. The said conditions and stipulations shall prevail unless otherwise agreed in writing.

2. Specifications

All quotations for goods are made in accordance with Katko's specifications at the time of order.

3. Price

Katko reserves the right to undertake reasonable price adjustments in case of fluctuation of cost with two (2) months' notice (unless otherwise agreed in writing). The adjustment will be applied also to orders already received and confirmed, if the confirmed delivery time is longer than two (2) months. Any change of the prices shall be notified to the Distributor by registered letter, fax or email.

4. Delivery

The order becomes binding once Katko has confirmed it. Unless otherwise agreed, deliveries shall be ex-works, Helsinki in accordance with Incoterms 2000. Where the Distributor fails to give Katko adequate instructions for dispatch, or otherwise delays delivery, Katko shall be entitled to store, dispose of or reallocate the goods without being responsible for any loss and at its option to charge for any costs arising and/or to cancel the order.

5. Force Majeure

Katko shall not be under any liability in respect of any delay in delivery arising from Force Majeure including, but not limited to, industrial or labor disputes, riots, mobs, fires, floods, wars, civil strife, embargoes, shortages of labor, materials, power, fuels, or means of transportation, whether affecting the Katko or any subcontractor, or for circumstances caused by reasons of law, regulations or orders and lack of permission of any government or competent Authority. Any delay caused by such conditions shall be excused and Katko may claim extension of time for as long as such conditions continue. During the period in which delivery of the goods cannot be made for any abovementioned reason the Distributor shall be entitled, after giving Katko written notice of its intention to do so, to purchase products elsewhere at its own cost and risk and Katko shall not be obliged to make up deficiencies which have arisen as aforesaid. If a delay exceeds three months, Katko and the Distributor may cancel the Agreement without incurring any liability therefor.

6. Payment

a. Unless otherwise agreed, the Distributor shall make full payment in Euro to Katko by wire transfer with immediately available funds or by confirmed and irrevocable Letter of cCredit (L/C) payable at sight in Helsinki.

b. Katko charges interest for late payment, amounting to one and one half per cent (1 and 1/2%) per month

for any unpaid amount from the date such payment is due.

7. Claims

No claim for shortage or damage will be considered unless received in writing by Katko within (whichever occurs earlier) the warranty period or 14 days from the date when the Distributor became aware or should have reasonably become aware of the shortage or damage.

8. Warranty

Katko warrants that the products confirm with the specifications. The warranty period is 12 months from the date of delivery. As an exclusive remedy for the product that breaches the warranty, Katko shall, at its option, replace the product at its own cost with new product or refund the purchase price of any product which within warranty period, are found to be in breach of the warranty, provided that the goods are returned to Katko's designated factory freight prepaid, and Katko is informed immediately, when the breach of warranty becomes apparent and the same is shown to Katko's reasonable satisfaction to be due to its faulty workmanship or defective materials. No other warranties, express or implied, are made or will be deemed to have been made by Katko and Katko neither assumes nor authorizes any other person to assume for it any other obligations or liabilities in connection with the distribution and sale of the products or otherwise. This condition shall replace and exclude all common law or statutory warranties, undertakings, statements, representations or conditions whether express or implied. Katko shall not be liable in contract or tort for any indirect, consequential or economic loss (whether relating to quality, dispatch, and delivery or otherwise). The Distributor will assume responsibility for and hold and save Katko harmless from all claims (including but not limited to claims resulting from acts of negligence on the part of the Distributor), liabilities, demand, costs or expenses or the like which may be incurred by third party claims related to the products. The Distributor shall maintain during the term of this Agreement adequate insurance to cover its obligations under these conditions.

9. IPR and confidentiality

All intellectual property rights in all products and Katko documents (including drawings and art work) furnished to the Distributor shall at all times remain vested in Katko and neither the documents nor their contents shall be used without Katko's express written consent for any purpose other than that for which they were furnished.

The Distributor undertakes to keep confidential and not to use for any other purpose than the purpose of the agreement between the parties any information received from Katko based on the agreement or otherwise regardless of the form of the information.

10. Taxes, duties, fees, charges

The quoted price is exclusive of all taxes, duties and fees and charges of any kind in the country of destination. Such taxes, duties, fees and charges are payable by the Distributor.

11. No Waiver

Katko's failure to insist adherence of a certain condition in any specific situation, shall not be deemed a waiver of such condition and shall not prevent Katko from insisting adherence of such condition thereafter.

12. Governing law and dispute resolution

These conditions and any other agreement between the parties shall be governed by the laws of Finland excluding its choice of laws provisions. Any dispute, controversy or claim arising out of or relating to these conditions or agreement, or the breach, termination or validity thereof, shall be finally settled by arbitration in accordance with the Arbitration Rules of the Finland Chamber of Commerce by sole arbitrator. The place of arbitration is Helsinki, Finland and the language shall be Finnish.

13. Orgalim S 2022

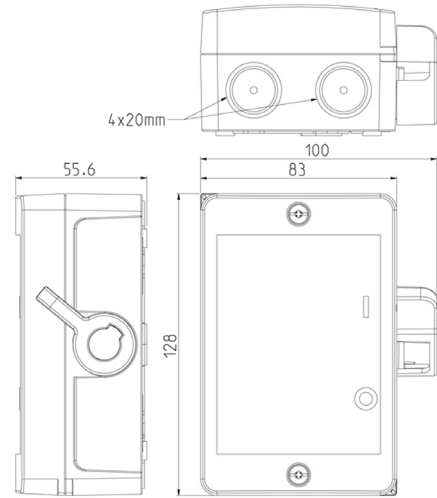
Orgalim S 2022 "General Conditions for the Supply of Mechanical, Electrical and Electronic products" (hereafter Orgalim S 2022) shall apply if not otherwise agreed in the Agreement documents or determined in these conditions. Therefore, should there be a conflict between these conditions and Orgalim S 2022, these conditions shall prevail.

DIMENSIONAL DRAWINGS OF ENCLOSURES

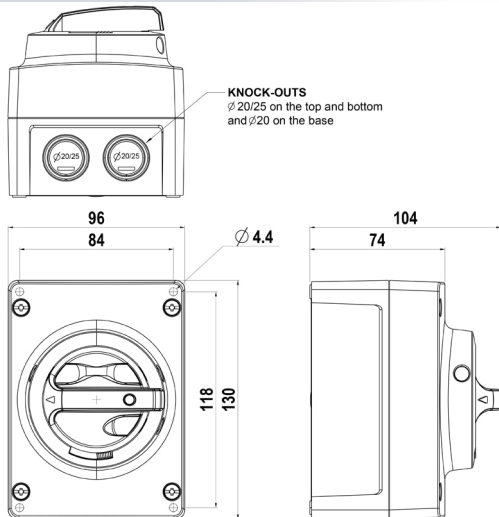
POLYCARBONATE ENCLOSURES



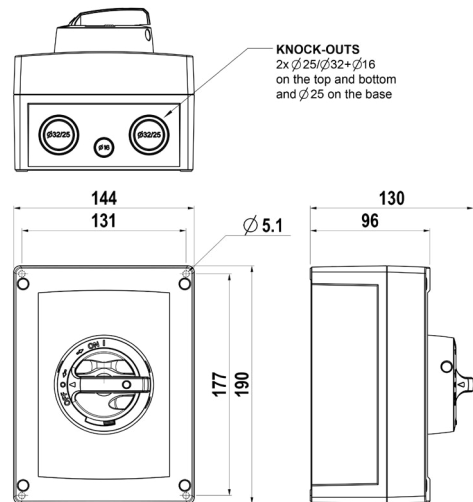
M1



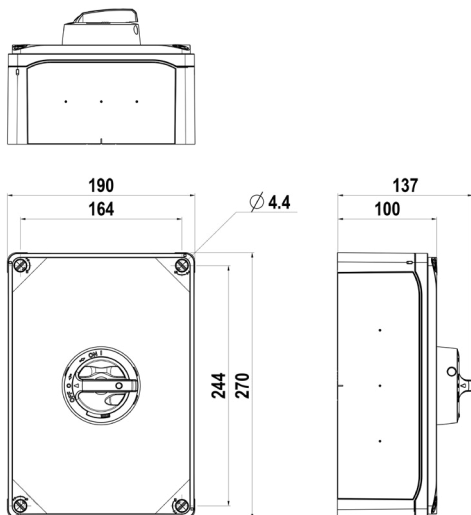
M2



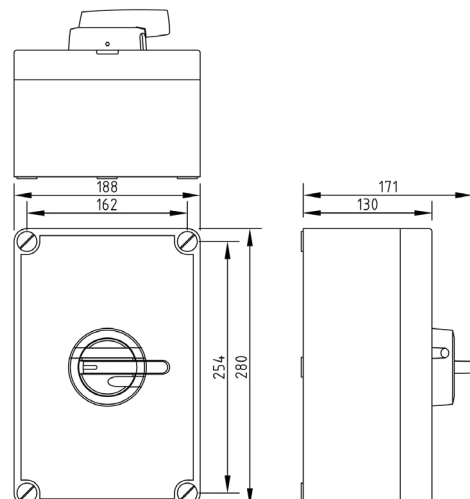
M3



M4

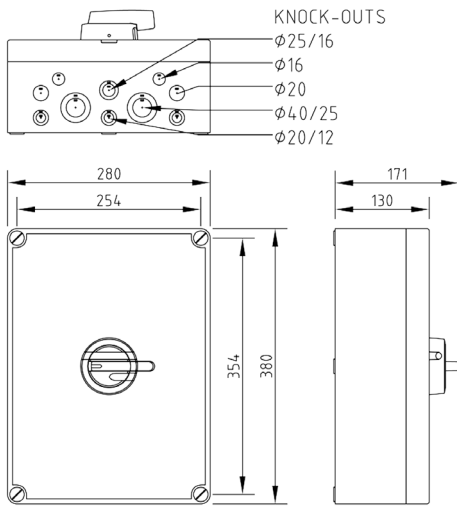


MF10

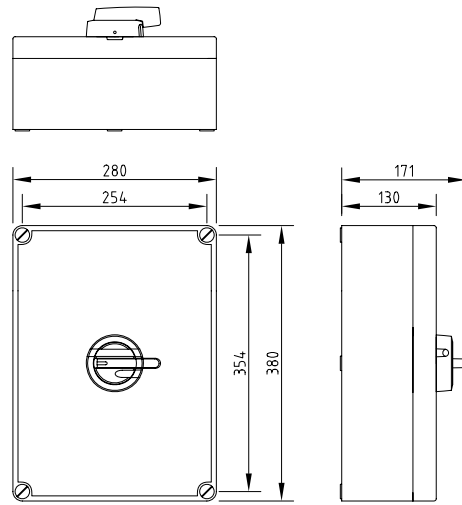


**DIMENSIONAL DRAWINGS
OF ENCLOSURES**

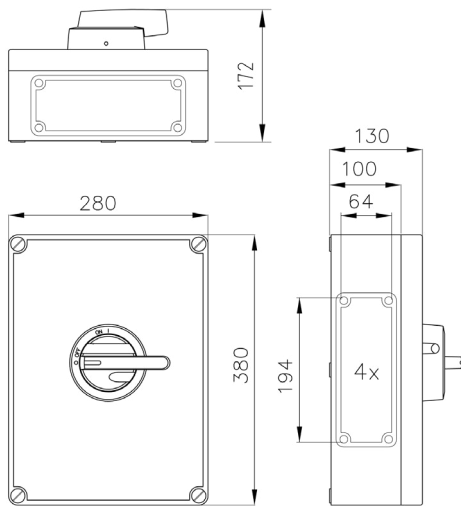
MF11



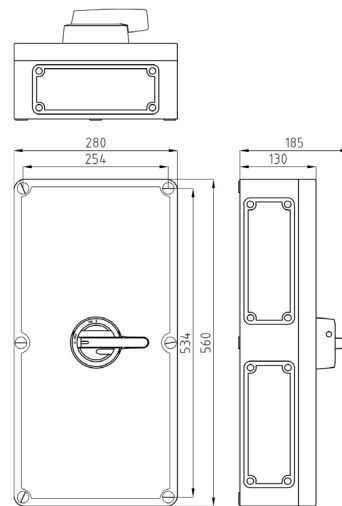
MF11UL



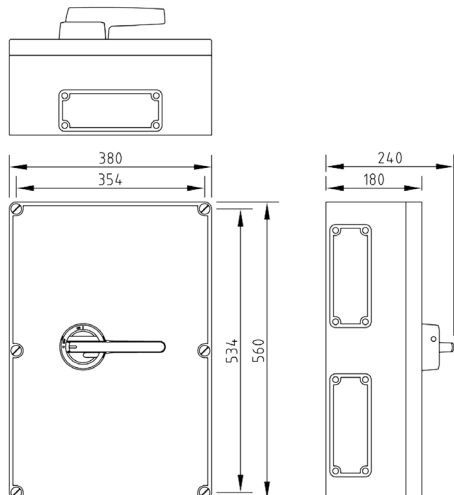
MF01



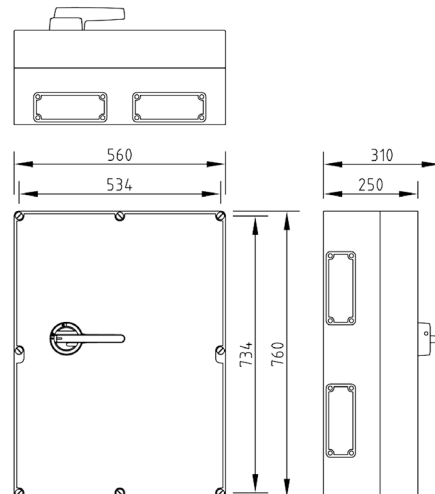
MF02



MF03



MF04

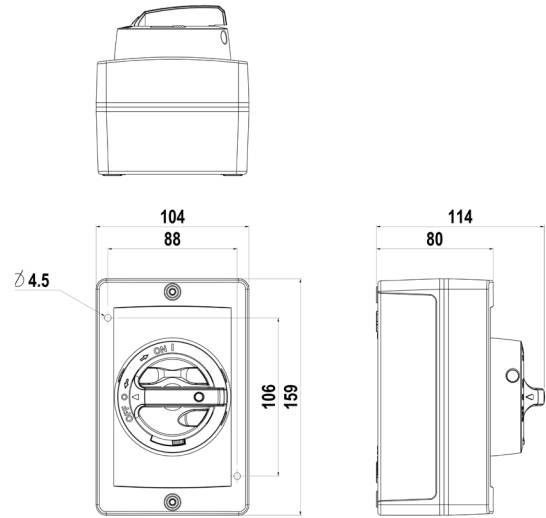


DIMENSIONAL DRAWINGS OF ENCLOSURES

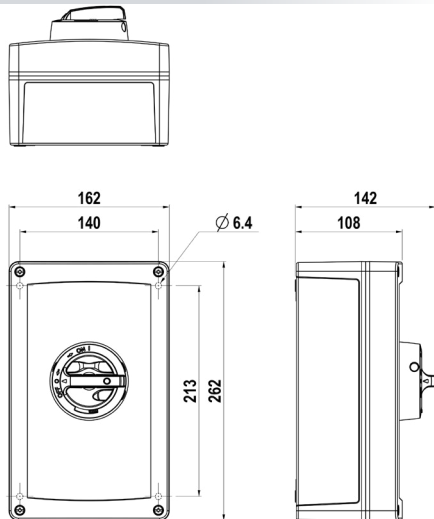
ALUMINIUM ENCLOSURES



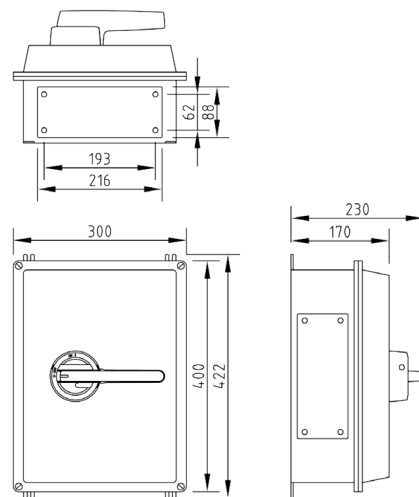
A2



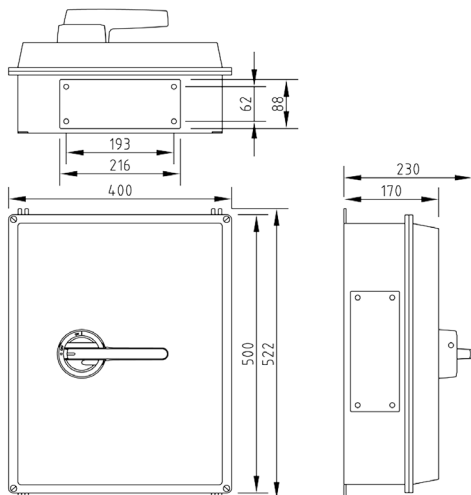
A4



A5



A6

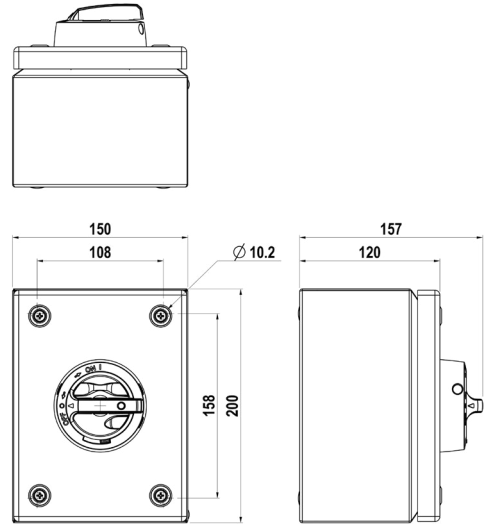


DIMENSIONAL DRAWINGS OF ENCLOSURES

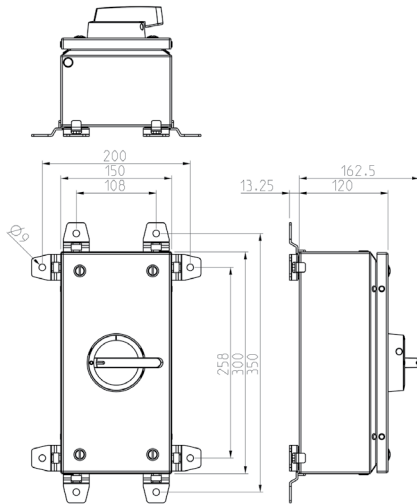
SHEET STEEL ENCLOSURES



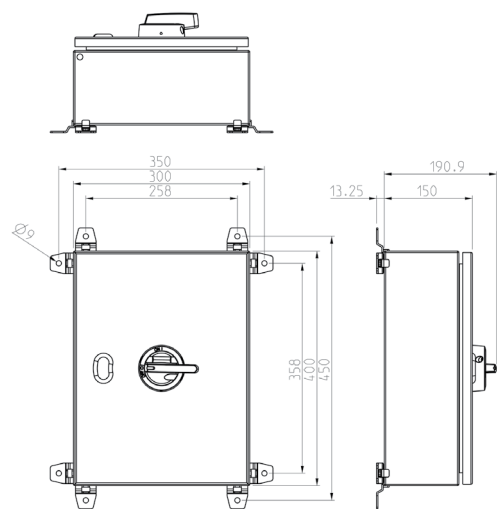
T3



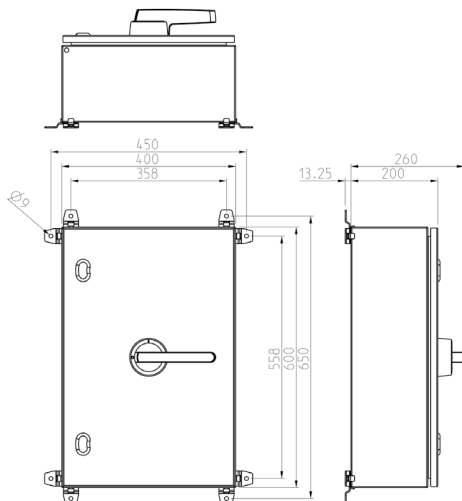
T4



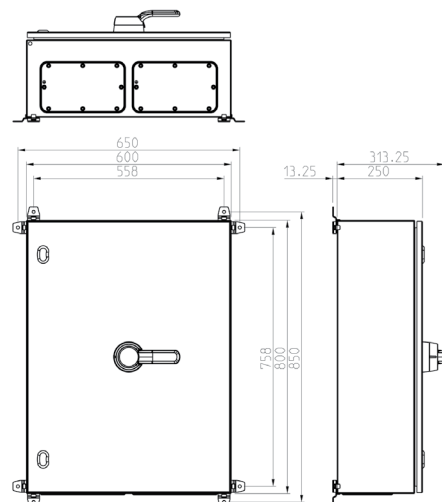
T5



T6

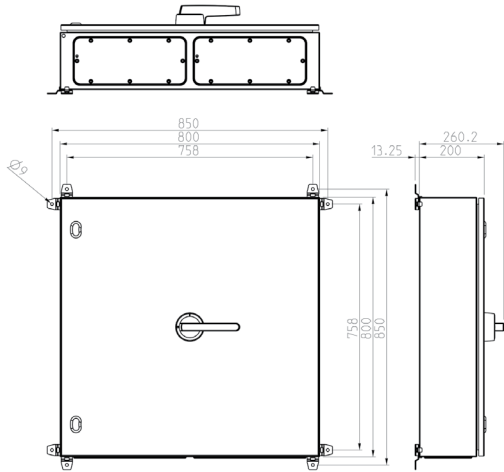


T7

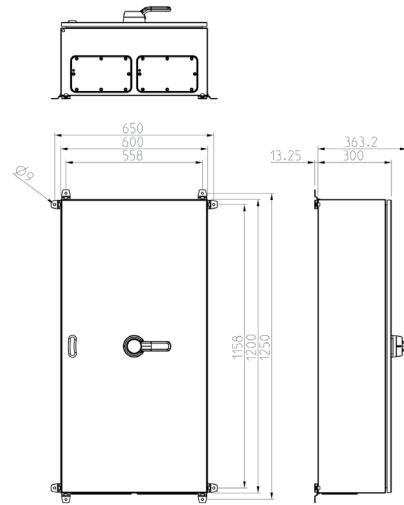


DIMENSIONAL DRAWINGS OF ENCLOSURES

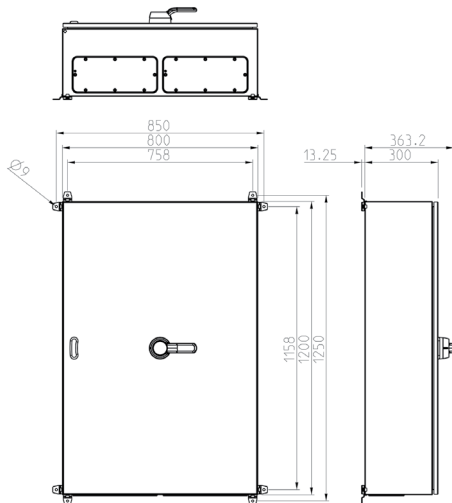
T8



T10A

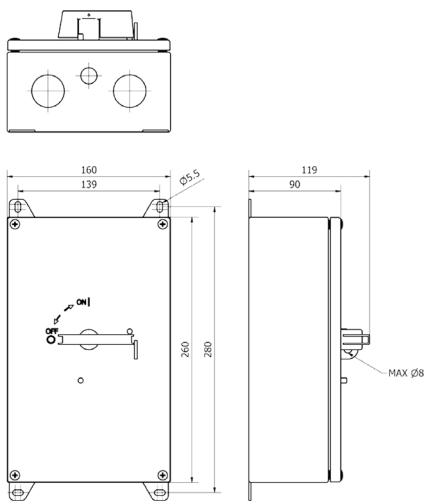


T10

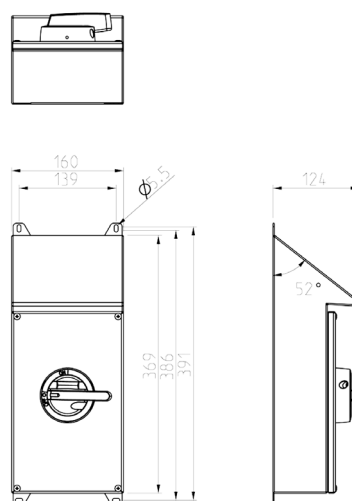


**DIMENSIONAL DRAWINGS
OF ENCLOSURES**

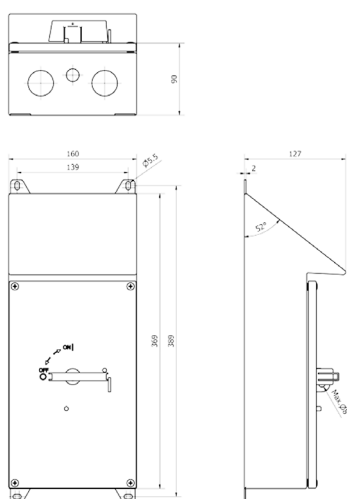
RA4R



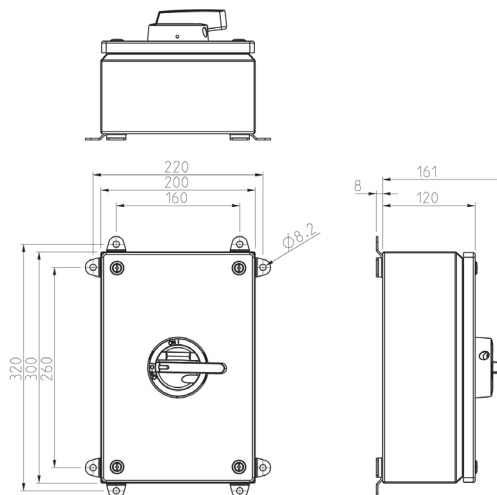
RA4S



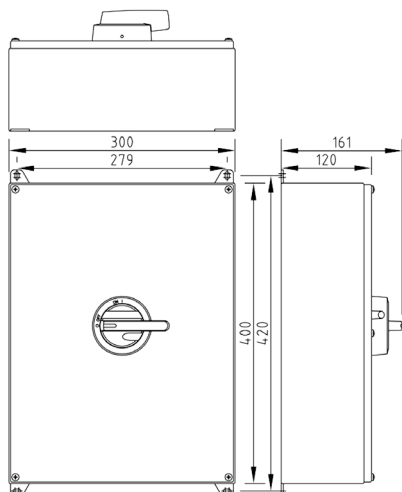
RA4RS



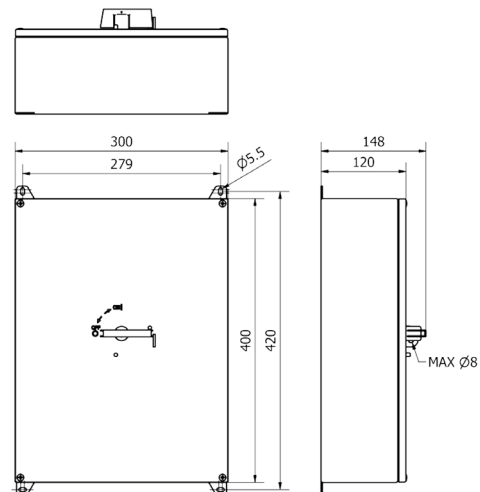
RA4B



RA5

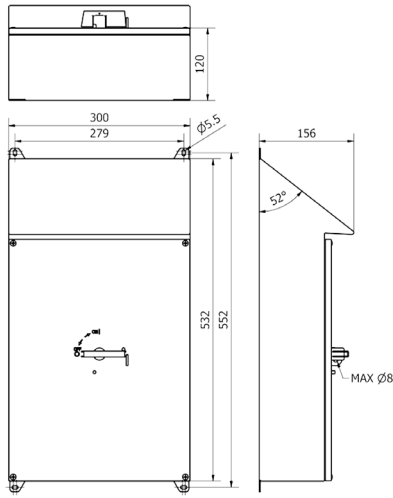


RA5R

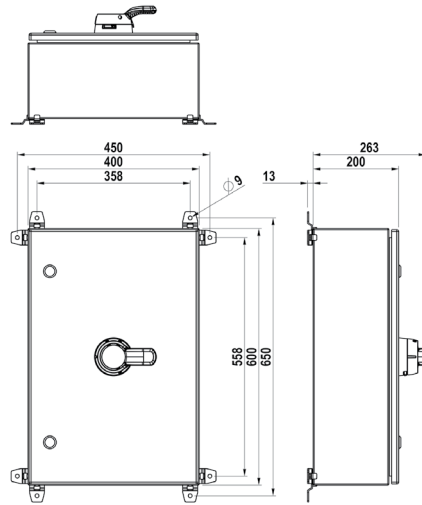


DIMENSIONAL DRAWINGS OF ENCLOSURES

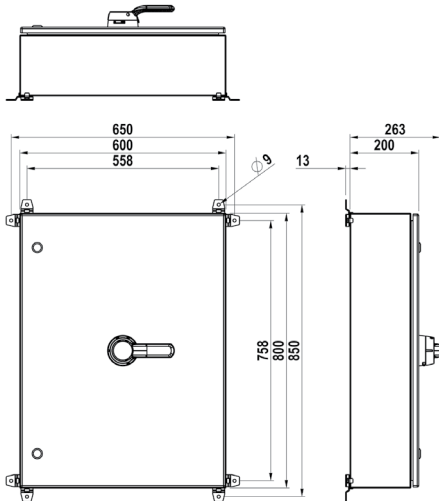
RA5RS



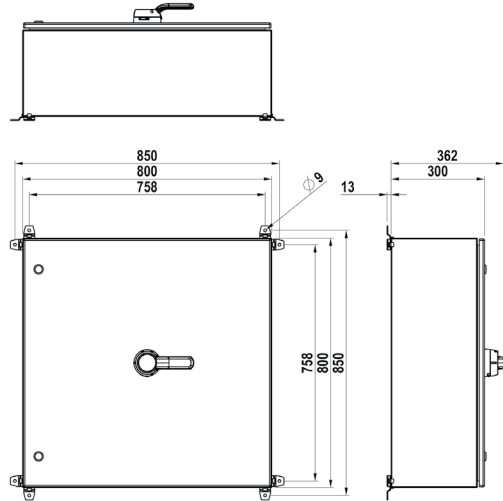
R6



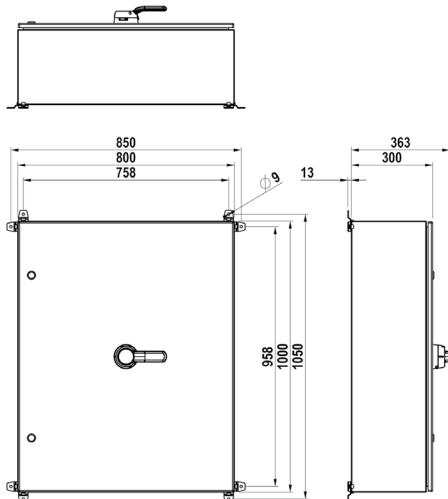
R7



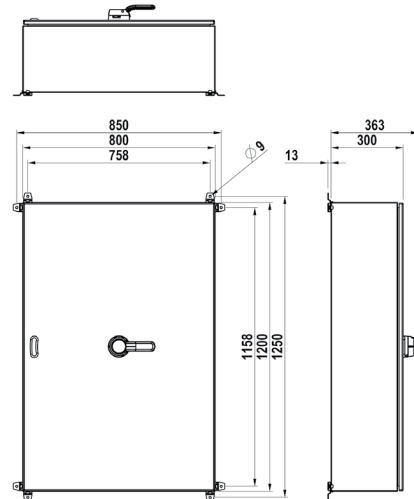
R8



R9



R10





Katko is a Finnish electrical industry company, specializing in designing, manufacturing, and delivering leading solutions for the electrical installation sector. At Katko, we are pioneering high-quality electrical switches and other installation products. Our commitment to sustainability and installer-friendly solutions sets us apart in the industry. Supported by our extensive network of distribution partners and manufacturing facilities in Finland and Poland, we are able to ensure the availability of our solutions in over 70 countries around the globe.

CONTACT

Ruosilantie 2
00390 Helsinki, Finland
Tel. +358 (0)9 849 600
info@katko.com

www.katko.com