

Electrical Connection

Pre-Wired

Cable: PVC 4 x 0,75 mm²

Length: 1 m.

(Different cables or lengths, page 13)



Operating Head Type

G11 - Plain plunger

G1• - Roller plunger

G12: metal roller
G13: nylon roller

G1• - Cross roller plunger

G14: metal roller
G15: nylon roller

Conformity / \rightarrow (N.C. contact with positive opening operation)

Max actuation speed [m/s]

Min. force [N] or torque [Nm]: actuation / positive opening operation

0,5
15 / 30

0,1
10 / 30

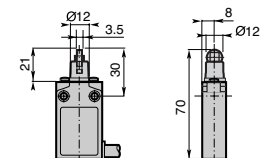
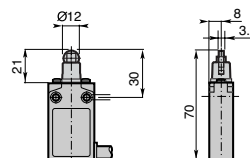
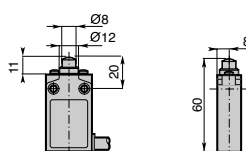
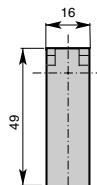
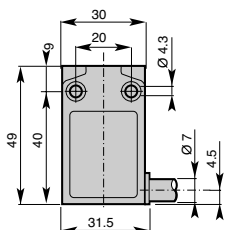
0,1
10 / 30

Additional Technical Datas

Z	Order Code	EP1G11Z	EP1G1•Z	EP1G1•Z
Snap Action Contacts (1NO + 1NC)	Operation Diagram			
Non overlapping Slow Action Contacts (1NO + 1NC)	Operation Diagram			

Weight (packing per unit)	[kg]	0,125	0,130	0,130
----------------------------------	-------------	--------------	--------------	--------------

Dimensions (in mm)





G16 - Plain plunger with dust protection cup	G21 - Plain plunger with fixing nuts	G2• - Roller plunger with fixing nuts G22: Metal roller G23: Nylon roller	G2• - Cross roller plunger with fixing nuts G24: metal roller G25: nylon roller	G4• - Ø 14 roller lever G41: nylon roller G42: metal roller G43: ball bearing
0,5 15 / 30	0,5 15 / 30	0,1 10 / 30	0,1 10 / 30	1,5 0,08 / 0,28

EP1G16Z 	EP1G21Z 	EP1G2•Z 	EP1G2•Z 	EP1G4•Z
EP1G16X 	EP1G21X 	EP1G2•X 	EP1G2•X 	EP1G4•X

0,130	0,140	0,145	0,145	0,175
--------------	--------------	--------------	--------------	--------------

--	--	--	--	--

EP1G Limit Switches

Pre-wired - Double Insulation

Plastic Casing IP67 - 30 mm. width

Electrical Connection

Pre-Wired

Cable: PVC 4 x 0,75 mm²

Length: 1 m.

(Different cables or lengths, page 13)



Operating Head Type

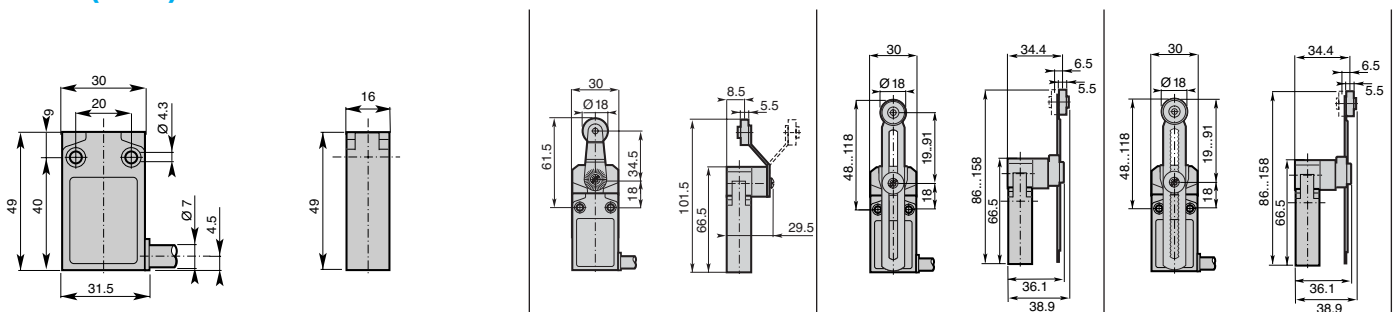
	G45 - Ø 18 nylon roller lever	G51 - Adjustable lever with Ø 18 nylon roller	G5100 - Adjustable toothed lever (step 2 mm) with Ø 18 nylon roller
Conformity / \rightarrow (N.C. contact with positive opening operation)		\rightarrow	\rightarrow
Max actuation speed [m/s]	1,5	1,5	1,5
Min. force [N] or torque [Nm]: actuation / positive opening operation	0,08 / 0,28	0,08 / 0,28	0,08 / 0,28

Additional Technical Datas

Z Snap Action Contacts (1NO + 1NC)	Order Code Operation Diagram	EP1G45Z	EP1G51Z	EP1G5100Z
X Non overlapping Slow Action Contacts (1NO + 1NC)	Order Code Operation Diagram	EP1G45X	EP1G51X	EP1G5100X

Weight (packing per unit)	[kg]	0,180	0,190	0,190
---------------------------	------	-------	-------	-------

Dimensions (in mm)



EP1G Limit Switches

Pre-wired - Double Insulation

Plastic Casing IP67 - 30 mm. width



G61 - Nylon actuator with stainless steel spring	G7• - Adjustable rod lever G71: stainless steel rod Ø3 G72: fiberglass rod Ø3 G75: square steel rod 3x3	G7• - Adjustable Ø 6 rod lever G73: nylon rod G74: fiberglass rod	G92: Multidirectional nylon actuator with stainless steel spring	G93: Multidirectional actuator with stainless steel spring
1,5 0,08 / -	1,5 0,08 / 0,28	1,5 0,08 / 0,28	1,0 0,10 / -	1,0 0,10 / -

EP1G61Z 	EP1G7•Z 	EP1G7•Z 	EP1G92Z 	EP1G93Z
EP1G61X 	EP1G7•X 	EP1G7•X 		

0,190	0,185	0,200	0,195	0,200