



 **K'ELECTRIC**



WE CONNECT TO PROTECT



CORON® 2

- D0-Fuse switch disconnecter
- integrated flashing indicator (OEFI)
- universal-fuse plug
- sealable
- lockable with padlock

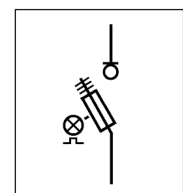
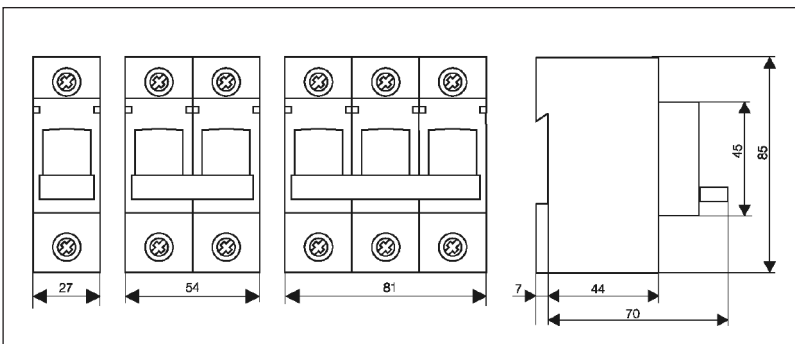


35mm
DIN rail
unit



Technical data:

Classification	Fuse switch disconnecter
Norm	IEC 947-3
Suitable for fuses	D01: 2, 4, 6, 10, 16; D02: 20, 25, 32, 35, 40, 50, 63AgL, gG, aM
Fire classification / Track resistance	UL94 / V0, heating wire resistance 960°C / CTI 600
Protection / Voltage contact protection	IP 20 / finger and back of hand proof
Rated operational voltage U_e	
-AC	400V
-DC	1-pole 110V, 2-polig 220V
Rated operational current I_e	63A
Over voltage category / degree of pollution	IV/3 (DIN VDE 0110)
Rated impulse withstand voltage U_{imp}	6000V
Type of terminations	Stainless steel cage clamp 1,5...35mm ² ; M_D 4Nm, pozidriv
Rated short circuit making capacity I_{cm}	50kA _{eff}
Utilization category	AC 22B



CORON® 2

D0-Fuse switch disconnector



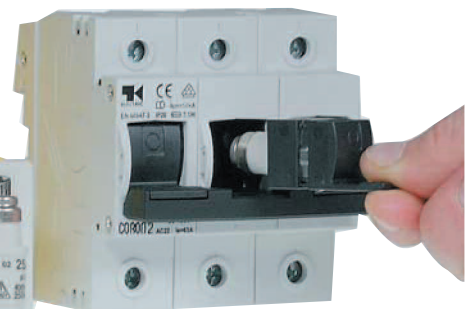
CORON® 2

Item	Item-No.	kg/pc	Packaging
1-pole	10 4651	0,13	12
1-pole + N (pre-/post lagging phase)	10 4641	0,26	6
2-pole	10 4652	0,26	6
3-pole	10 4653	0,40	4
3-pole + N (pre-/post lagging phase)	10 4643	0,53	3
Plug-reducer spring from D02 to D01	10 4601	0,01	12
Padlock in the click box	10 4664	0,05	1

Bus bar connectors can be found on page 72

K'ELECTRIC

WE CONNECT TO PROTECT

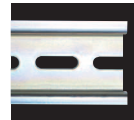


1.8



D0-FUSE BASE E18

- touch-protected version
- easy inscription possible



DIN
Schienen-
Geräte
H 35mm

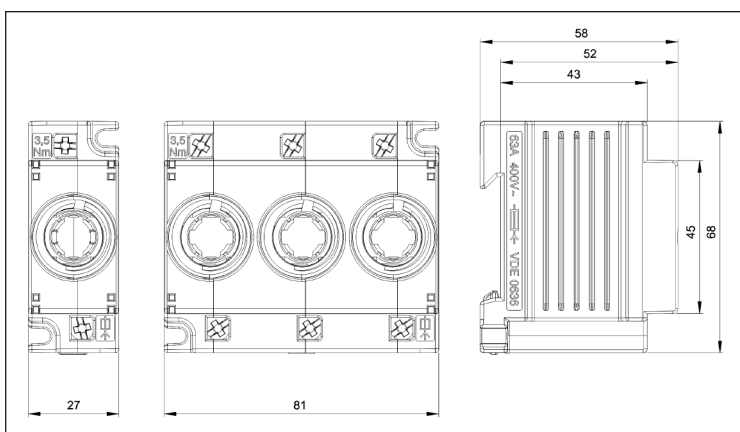
Technical data:

1 – 3-pole; DIN 49524
for D0-fuses 2...63A
400V AC/250V DC
With snap on or screw on mounting
Terminations:
Stainless steel cage clamp 1,5-35mm

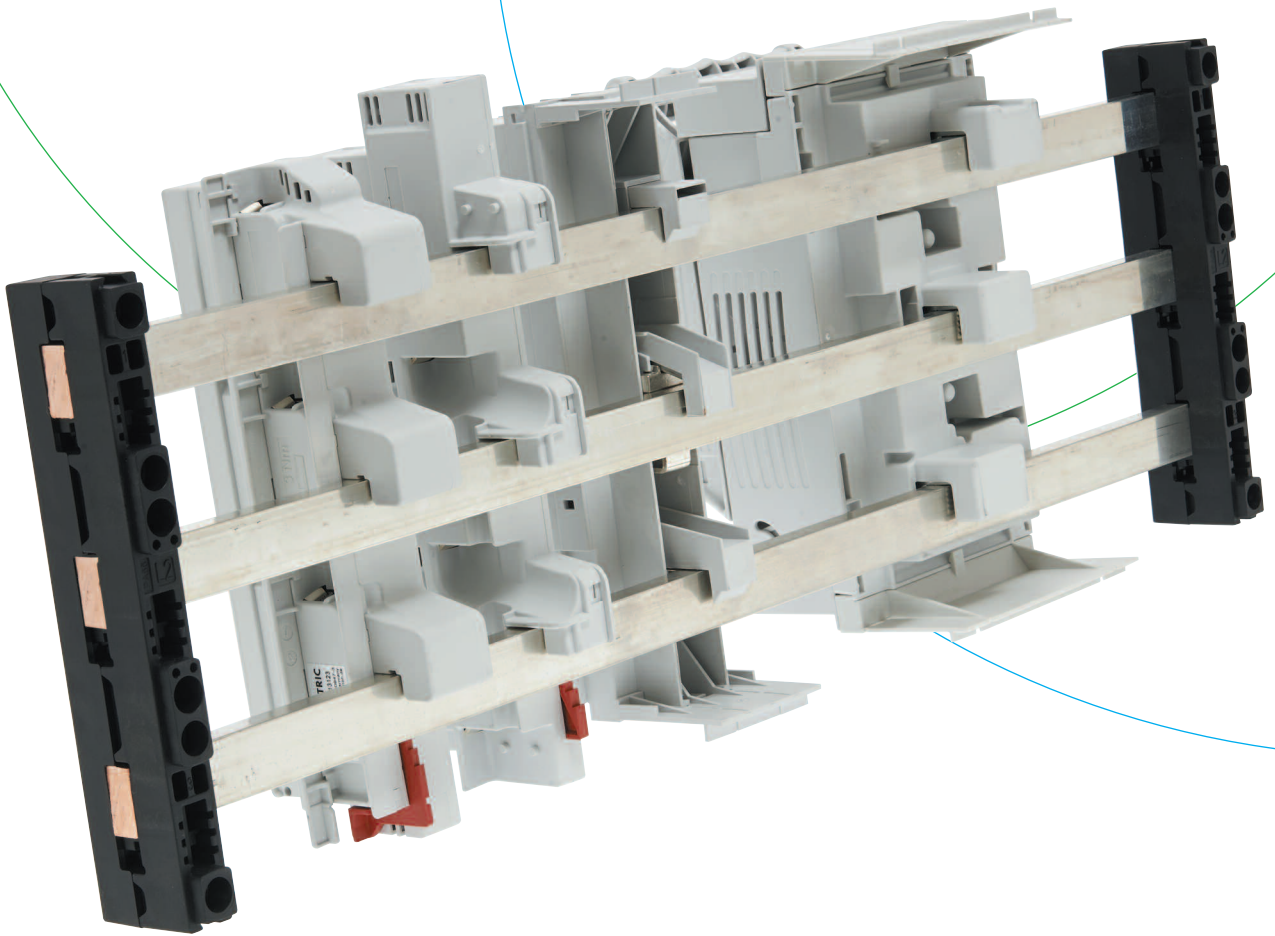
Item	Item-No.	Packaging
1-pole	10 4011	20
3-pole	10 4013	6

Bus bar connectors see page 72

Screw caps ref. page 64



2.0 BUS BAR SYSTEM 60mm



 **K'ELECTRIC**

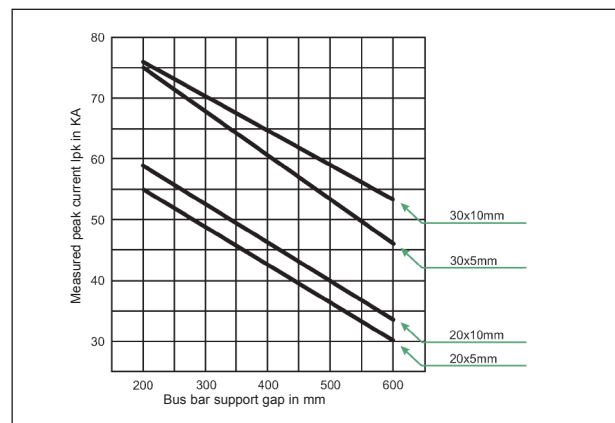
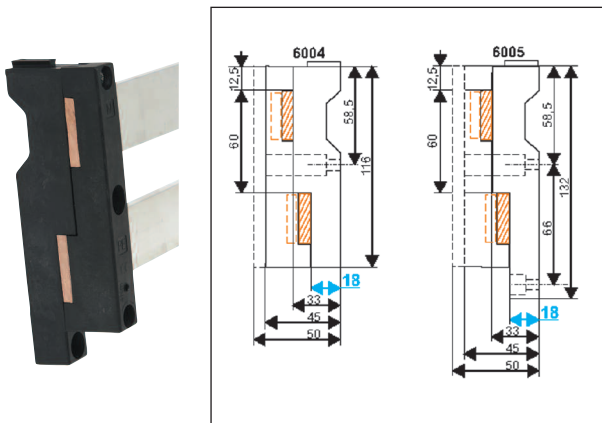
WE CONNECT TO PROTECT



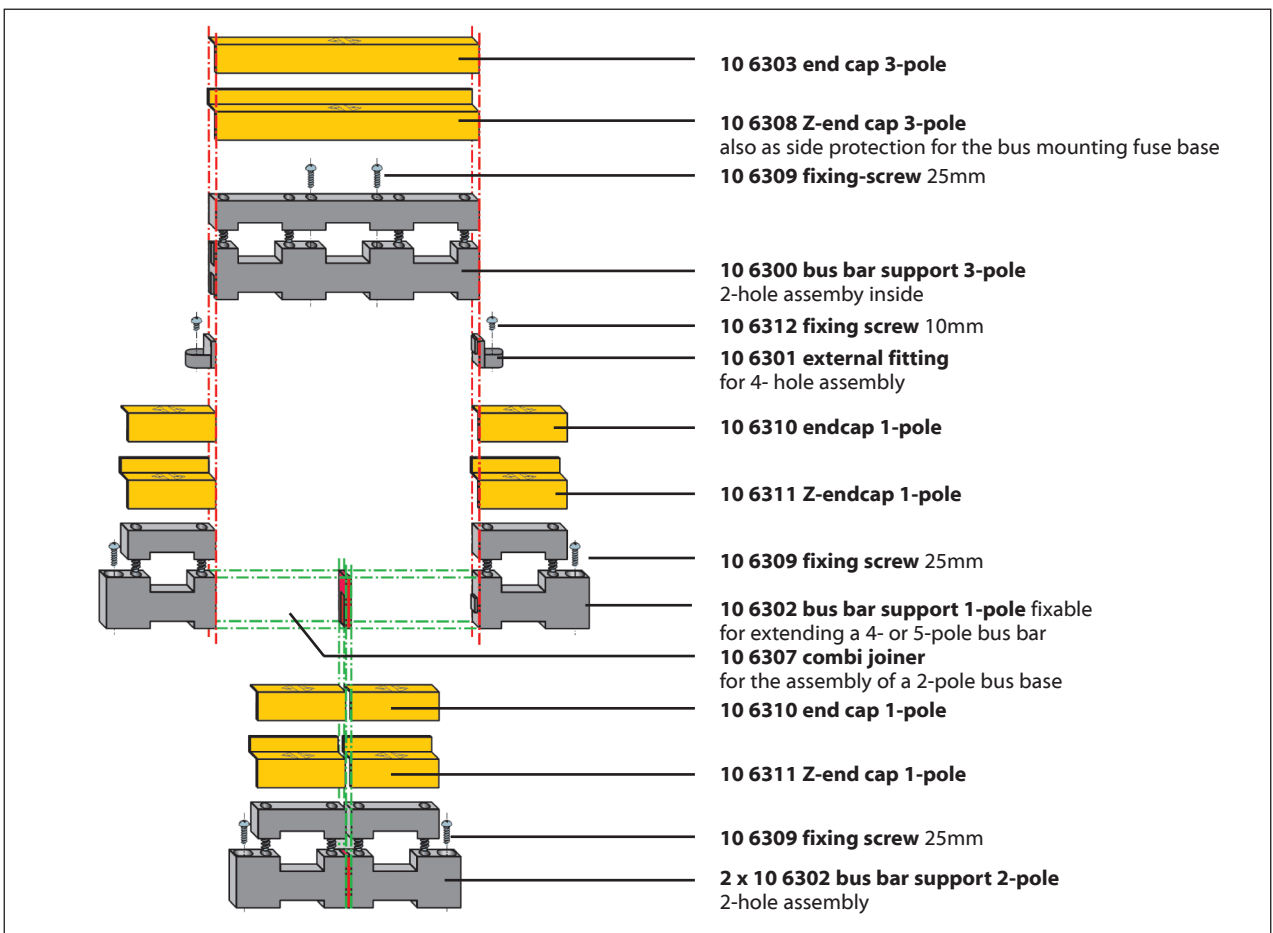
“ SYSTEM 60” is a modular designed current distribution system up to 630A Snap on mounting of all components provides extreme flexibility in assembly and add on design.

ACCESORIES FOR SYSTEM 60

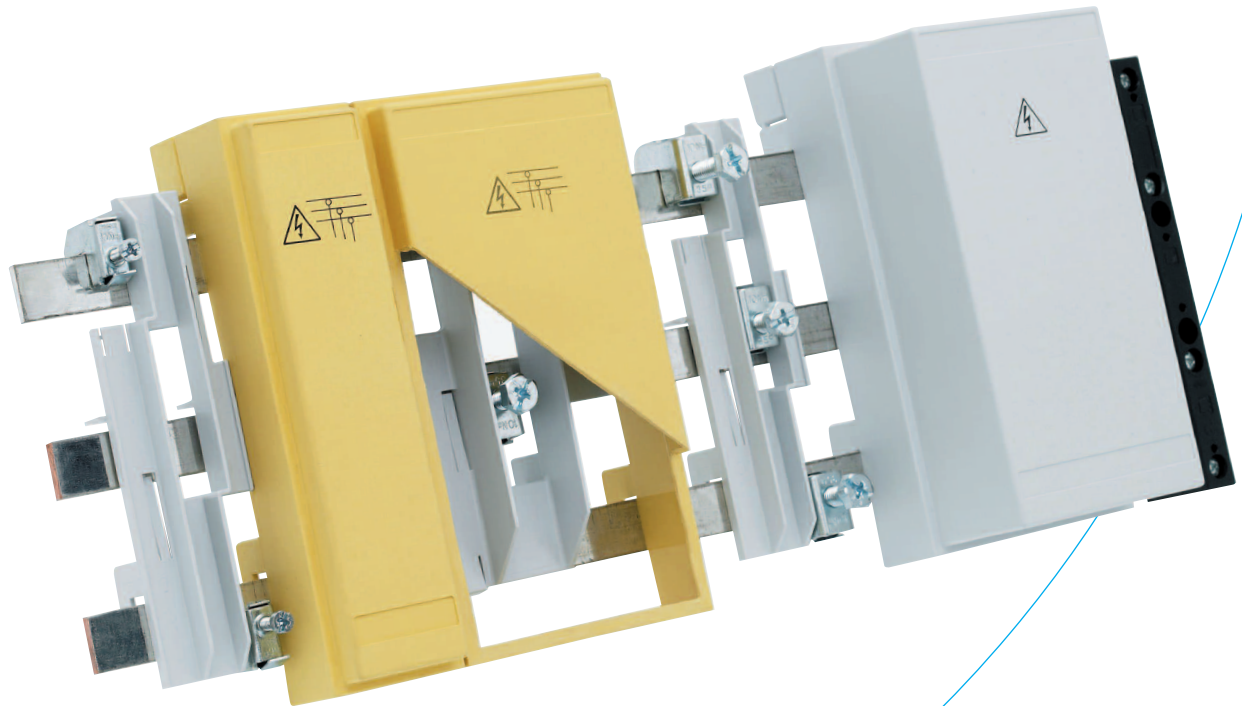
Item	Item No.	kg/pc	Packaging
3-pole, 2-hole mounting inside; incl. spacer and fixing screws	10 6300	0,121	10
External fixing with item 10 6300 incl. fixing screws	10 6301	0,006	20
1-pole, fixed to 10 6300 or for 2-pole; incl. spacer and fixing screws	10 6302	0,048	10
1-pole, for single assembly; incl. spacer and fixing screws	10 6304	0,056	10
Combi joiner; for the assembly of a 2-pole bus bar with 2 X 10 6203	10 6307	0,004	10
End cap 3-pole; yellow with warning triangle	10 6303	0,019	10
Z-end cap 3-pole; yellow with warning triangle	10 6308	0,024	10
End cap 1-pole	10 6310	0,006	10
Z-end cap 1-pole	10 6311	0,007	10
Bus bar support 2-pole; 1 fixing hole	10 6004	0,08	10
Bus bar support 2-pole; 2 fixing holes	10 6005	0,09	10



Resistance to short-circuits chart after IEC 60439-1: 1999-09; DIN EN 60439 part 1 (VDE 0660 part 500): 2000-08 bus bar system 60mm calculation operating voltage: 690V rated frequency: 50Hz



2.2



INPUT CLAMPS

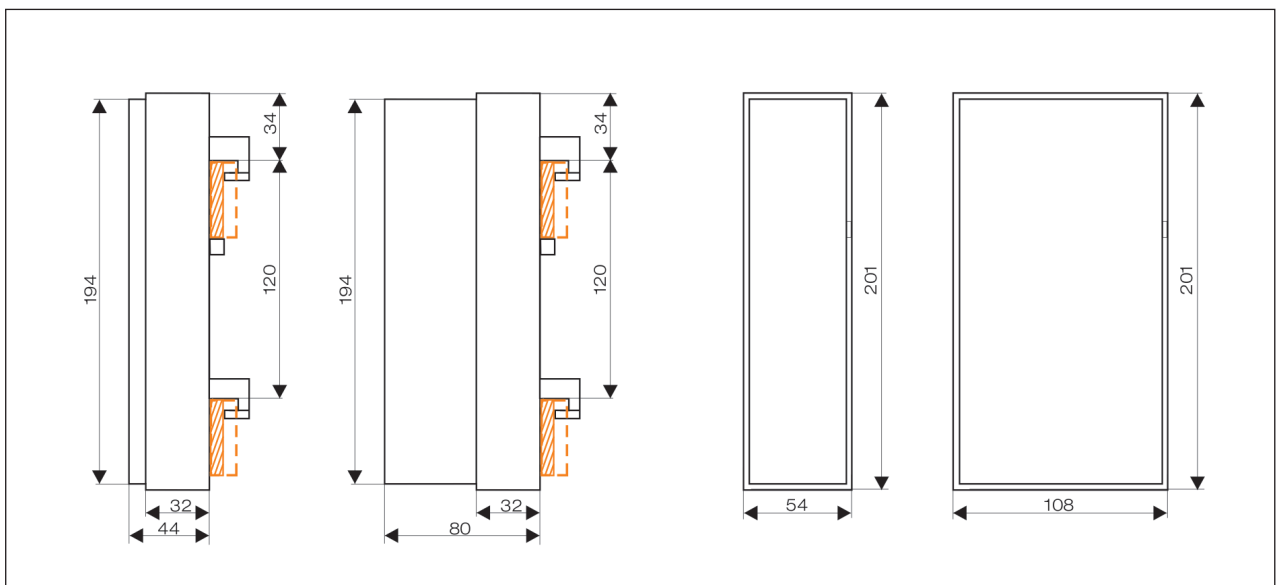
The input connections of the System 60 are carried out using a universal connection clamp that matches with the cross section of the conductor. Clip on protective covers provide for required safety.



System 60

K'ELECTRIC

WE CONNECT TO PROTECT



Connection clamps and protection covers with warning triangle including conductor and bus bar protection cover

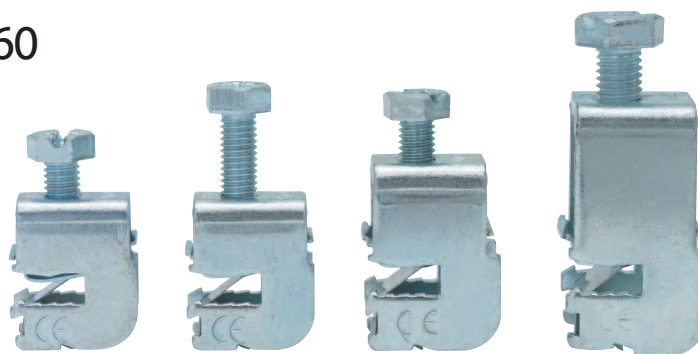
Item (yellow)	Item-No.	kg/pc.	Packaging
54mm wide, internal height 44mm, for clamps 16...50mm ²	10 6090	0,11	2
108mm wide, internal height 44mm, for clamps 16...70mm ²	10 6091	0,17	1
108mm wide, internal height 80mm, for clamps 16...185mm ²	10 6092	0,22	1

Item (grey)	Item-No.	kg/pc.	Packaging
54mm wide, internal height 44mm, for clamps 16...50mm ²	10 6096	0,11	2
108mm wide, internal height 44mm, for clamps 16...70mm ²	10 6097	0,17	1
108mm wide, internal height 80mm, for clamps 16...185mm ²	10 6098	0,22	1

Bus bar protection cover, grey

Item	Item-No.	kg/pc.	Packaging
54mm wide, internal height 44mm ²	10 6033	0,09	2
108mm wide, internal height 44mm ²	10 6034	0,12	1
108mm wide, internal height 80mm ²	10 6035	0,12	1

ACCESSORIES FOR SYSTEM 60



Pressure clamps

Item	Item-No.	kg/pc.	Packaging
1,5...16mm ² , for 5mm ² bus bars	11 6051	0,03	100
1,5...35mm ² , for 5mm ² bus bars	11 6052	0,04	50
1,5...50mm ² , for 5mm ² bus bars	11 6053	0,05	50
16...70mm ² , for 5mm ² bus bars	11 6054	0,06	10
16...120mm ² , for 5mm ² bus bars	11 6055	0,09	10
16...185mm ² , for 5mm ² bus bars	11 6056	0,10	10
1,5...16mm ² , for 10mm ² bus bars	11 6061	0,03	100
1,5...35mm ² , for 10mm ² bus bars	11 6062	0,04	50
1,5...50mm ² , for 10mm ² bus bars	11 6063	0,05	50
16...70mm ² , for 10mm ² bus bars	11 6064	0,06	10
16...120mm ² , for 10mm ² bus bars	11 6065	0,09	10
16...185mm ² , for 10mm ² bus bars	11 6066	0,10	10

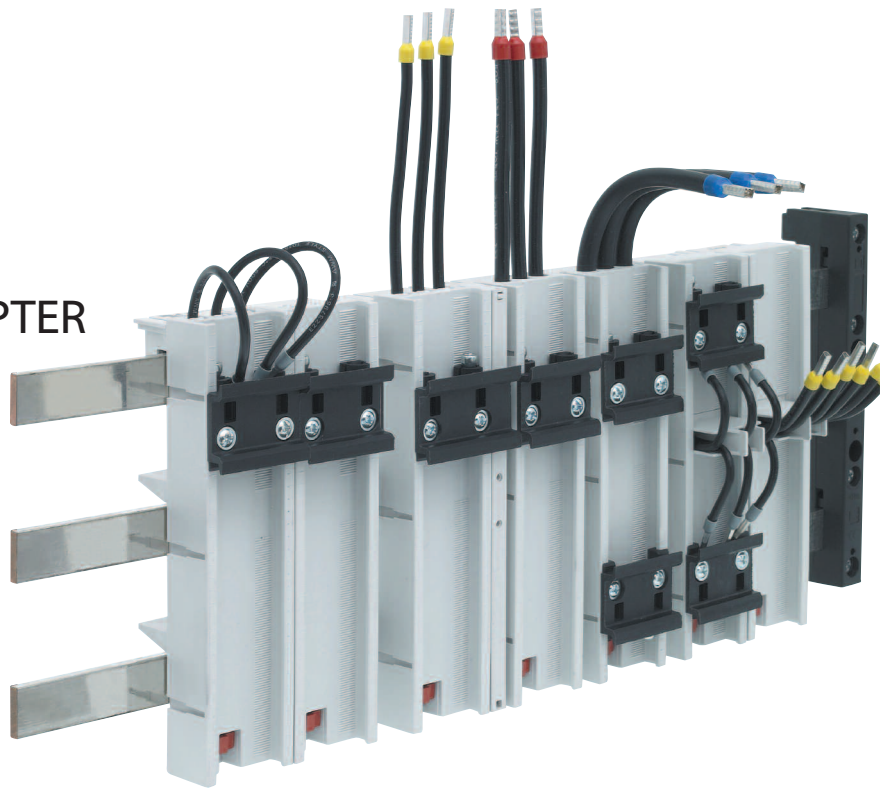
Pressure clamps for Al und Cu

Item	Item-No.	kg/pc.	Packaging
1,5...16mm ² , for 5mm ² bus bars	11 6070	0,03	50
4,0...35mm ² , for 5mm ² bus bars	11 6071	0,04	50
16...70mm ² , for 5mm ² bus bars	11 6072	0,06	10
16...120mm ² , for 5mm ² bus bars	11 6073	0,09	10
16...185mm ² , for 5mm ² bus bars	11 6074	0,10	10
1,5...16mm ² , for 10mm ² bus bars	11 6080	0,03	50
4,0...35mm ² , for 10mm ² bus bars	11 6081	0,04	50
16...70mm ² , for 10mm ² bus bars	11 6082	0,06	10
16...120mm ² , for 10mm ² bus bars	11 6083	0,09	10
16...185mm ² , for 10mm ² bus bars	11 6084	0,10	10

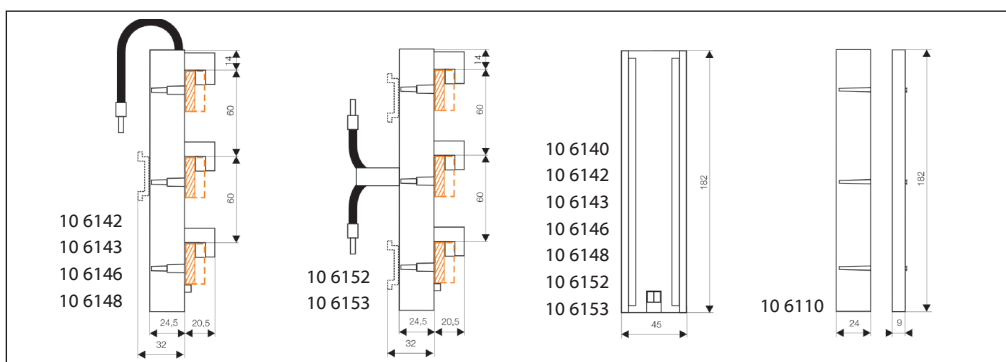
2.4

COMPONENT ADAPTER

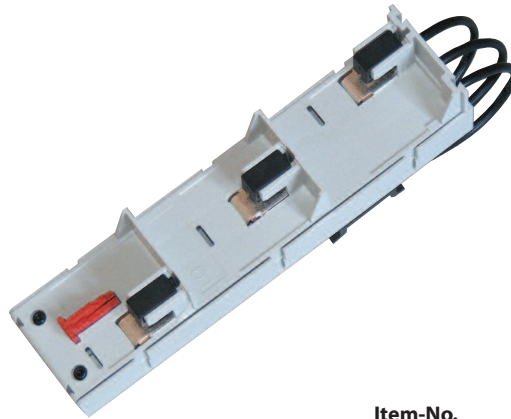
- **steplessly adjustable**
- **mounting support**
- **low loss dual contact**



Item	Item-No.	kg/pc.	Packaging
$I_e=25A$ connection cable cross section AWG 12 / 4mm²			
1 universal mounting rail, 45mm wide	10 6142.451	0,21	2
2 universal mounting rails, 45mm wide	10 6142.452	0,23	2
1 universal mounting rail, 54mm wide	10 6142.541	0,22	2
2 universal mounting rails, 54mm wide	10 6142.542	0,24	2
$I_e=35A$ connection cable cross section AWG 10 / 6mm²			
1 universal mounting rail, 45mm wide	10 6143.451	0,22	2
2 universal mounting rails, 45mm wide	10 6143.452	0,24	2
1 universal mounting rail, 54mm wide	10 6143.541	0,23	2
2 universal mounting rails, 54mm wide	10 6143.542	0,25	2
1 universal mounting rail, 63mm wide	10 6143.631	0,27	2
1 universal mounting rail, 72mm wide	10 6143.721	0,29	2
2 universal mounting rails, 81mm wide	10 6143.812	0,31	2
$I_e=63A$ connection cable cross section AWG 8 / 10mm²			
1 universal mounting rail, 54mm wide	10 6146.541	0,26	2
2 universal mounting rails, 54mm wide	10 6146.542	0,28	2
1 universal mounting rail, 63mm wide	10 6146.631	0,30	2
1 universal mounting rail, 72mm wide	10 6146.721	0,32	2
2 universal mounting rails, 81mm wide	10 6146.812	0,34	2
$I_e=80A$ connection cable cross section AWG 6 / 16mm²			
1 universal mounting rail, 54mm wide	10 6148.541	0,29	2
2 universal mounting rails, 54mm wide	10 6148.542	0,31	2
1 universal mounting rail, 63mm wide	10 6148.631	0,33	2
1 universal mounting rail, 72mm wide	10 6148.721	0,35	2
2 universal mounting rails, 81mm wide	10 6148.812	0,37	2



COMPONENT ADAPTOR



Item	Item-No.	kg/pc.	Packaging
$I_e = 25A$; 4mm ² connection cable cross section, AWG 12 width 45mm	10 6142	0,19	4
$I_e = 35A$; 6mm ² connection cable cross section, AWG 10 width 45mm	10 6143	0,20	4
$I_s = 63A$; 10mm ² connection cable cross section, AWG 8 width 45mm	10 6146	0,23	4
$I_e = 80A$; 16mm ² connection cable cross section, AWG 6 width 45mm	10 6148	0,26	4
<hr/>			
$I_e = 25A$; Double central terminal 4mm ² , AWG 12 width 45mm	10 6152	0,20	4
$I_e = 35A$; Double central terminal 4mm ² , AWG 10 width 45mm	10 6153	0,25	4
Without contacts; incl. X connector for lateral extension or single mounting; 45mm	10 6140	0,15	4

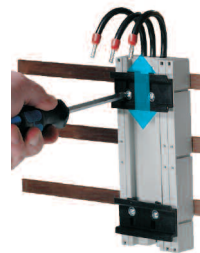
Accessories

Item	Item-No.	kg/pc.	Packaging
Lateral extension piece for the adaptor in 9mm steps	10 6110	0,02	10
Universal mounting rail 45mm wide; steplessly adjustable	10 6104	0,02	10
Universal mounting rail 54mm wide; steplessly adjustable	10 6105	0,02	10
Universal mounting rail 63mm wide; steplessly adjustable	10 6106	0,02	10
Universal mounting rail 72mm wide; steplessly adjustable	10 6107	0,02	10
Universal mounting rail 81mm wide; steplessly adjustable	10 6108	0,02	10

Mounting rails are steplessly adjustable with dual wedge fastening



Adapter base



Position the upper mounting rail and fasten from the front.



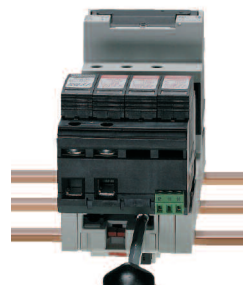
9mm side part enables an individuell extension of the base in steps of 9mm



1. Place the component on the top mounting rail and connect
2. Place the component on the lower mounting rail. Position the lower mounting rail to suit component and then connect.

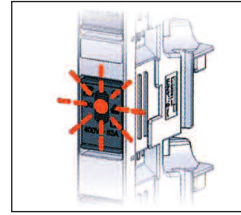
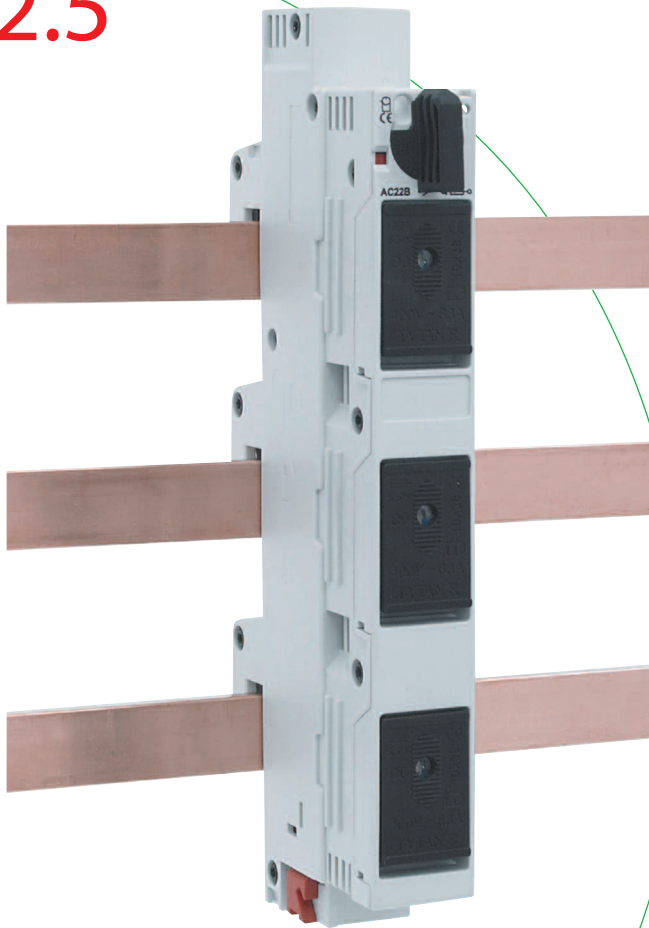


Mounting rail with dual wedge fastening

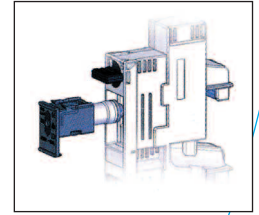


Fasten lower mounting rail from below

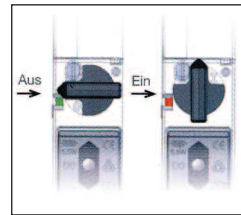
2.5



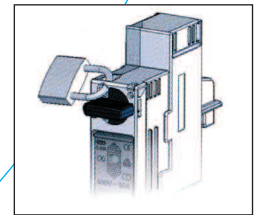
Flashing indicator
Fuse failure can be reliably identified and reported through the opto-electronic flashing indicator.



Quick and easy fuse swop
The fuse holder enables an easy and safe swop of the D0-fuse plug.



Operating status display
With the optical display on / off the operating condition can be constantly checked.



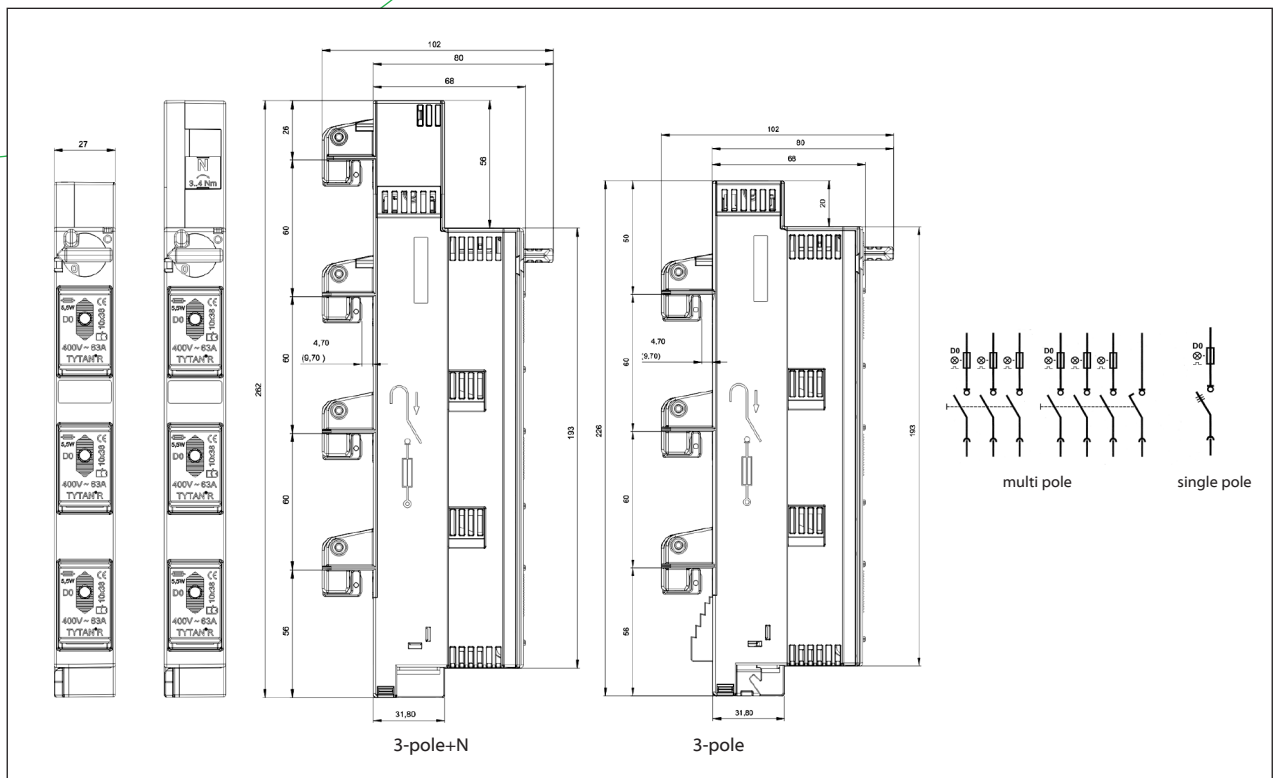
Lock
A simple lock to prevent unauthorized switching.

TYTAN® R

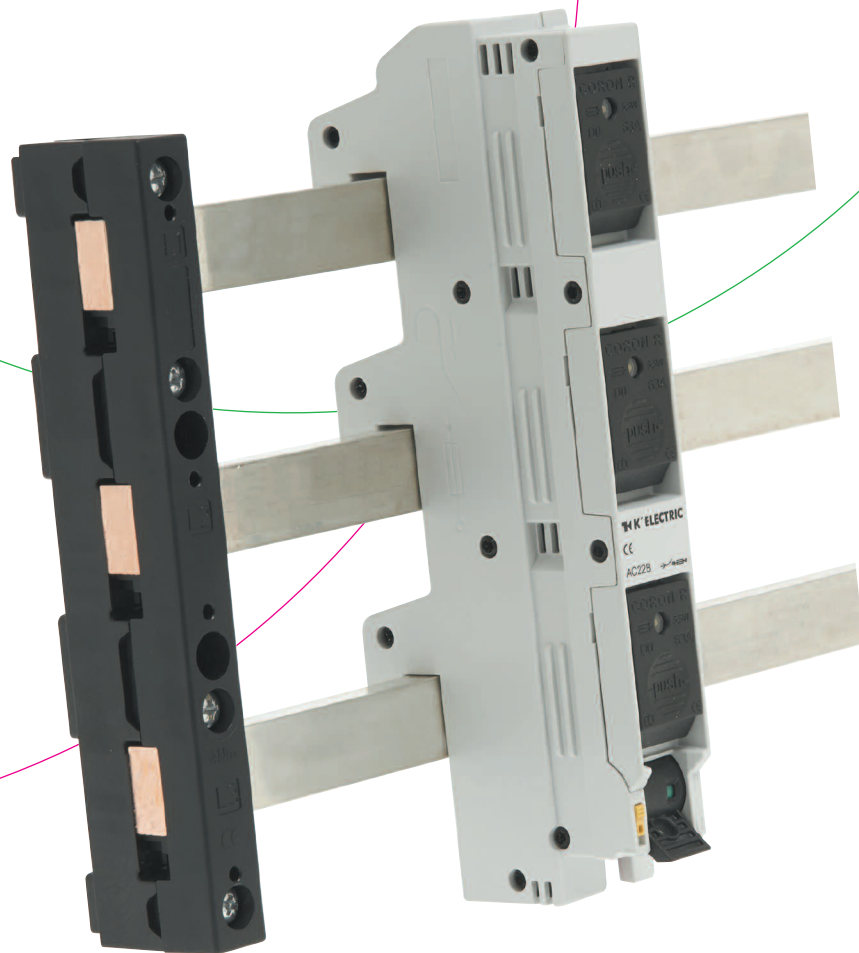
- D02 - Bus mounting switch disconnecter**
- flashing indicator**
- safety switch**
- width 27mm**
- lockable**



System 60



2.7



CORON® R

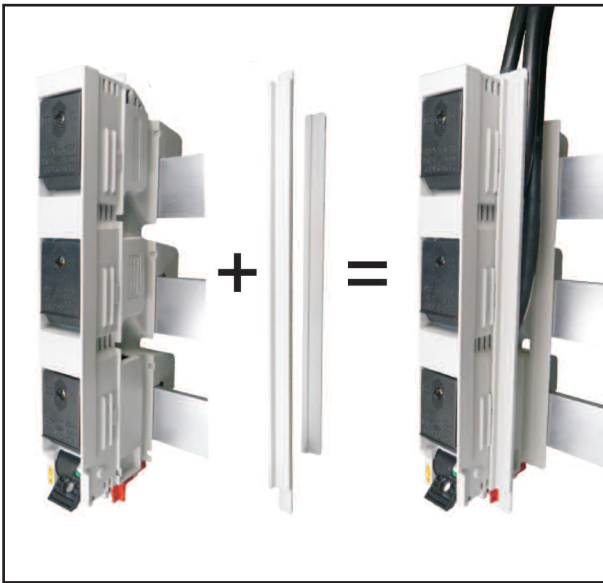
D02 - Bus mounting switch disconnecter

- flashing indicator
- safety switch
- width 27mm
- lockable
- compact and low form

D02 - Bus mounting switch disconnecter CORON®R

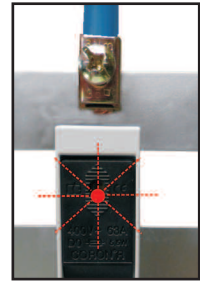
Technical data

Classification	Switch disconnecter fuse
Norm	IEC 947-3
Suitable for D0 fuses DIN 49522	D01: 2, 4, 6, 10, 16; D02: 20, 25, 32, 35, 40, 50, 63AgL, gG, aM
Fire classification / Track resistance	UL94 / V0, heating wire resistance 960°C / CTI 600
Protection / Voltage contact protection	IP 20 / finger and back of hand proof
Rated operational voltage U_e	400V AC
Rated operational current I_e	D0: 63A; 10 x 38: 32A
Over voltage category / degree of pollution	IV/3 (DIN VDE 0110)
Rated impulse withstand voltage U_{imp}	6000V
Type of terminations	Stainless steel cage clamp 1,5...25mm ² ; M_D 3,5Nm, Pozidriv
Rated short circuit making capacity I_{cm}	50kA _{eff}
Utilization category	AC 22B
Bus bar dimensions	12mm - 30mm; 5 und 10mm thick

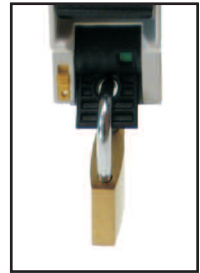


optional extension set

- compact and low construction form
- with a 4-pole collective rail system leading connection clips can be placed on the N rail



- sealable and lockable



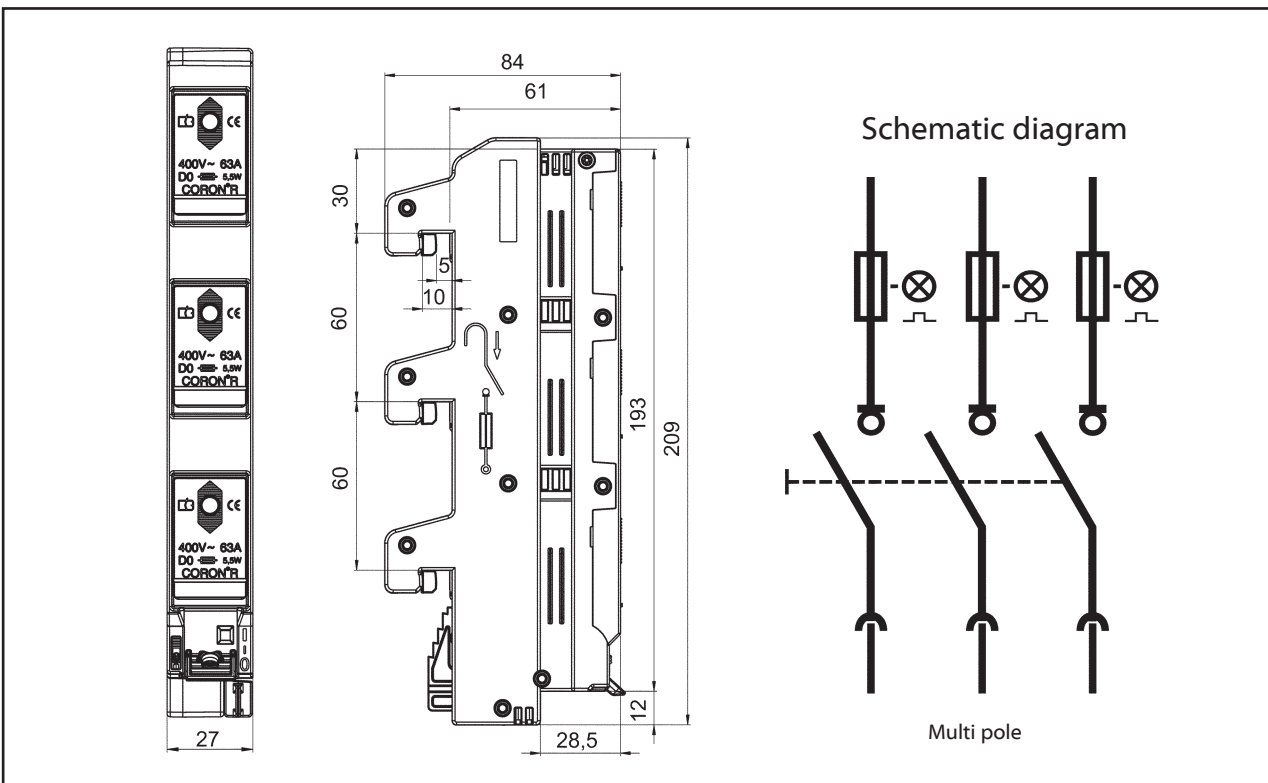
K'ELECTRIC

WE CONNECT TO PROTECT



CORON® R

Item	Item-No.	kg/pc.	Packaging
400V~, D0:2...63A			
3-pole	10 6901	0,40	4
extension set	10 6971	0,01	1
Plug reduction spring from D02 to D01	10 1774	0,01	12
Padlock in the click box	10 4664	0,05	1



2.8



NH-Bus bar mounting fuse load break switch series MULTIBLOC® series

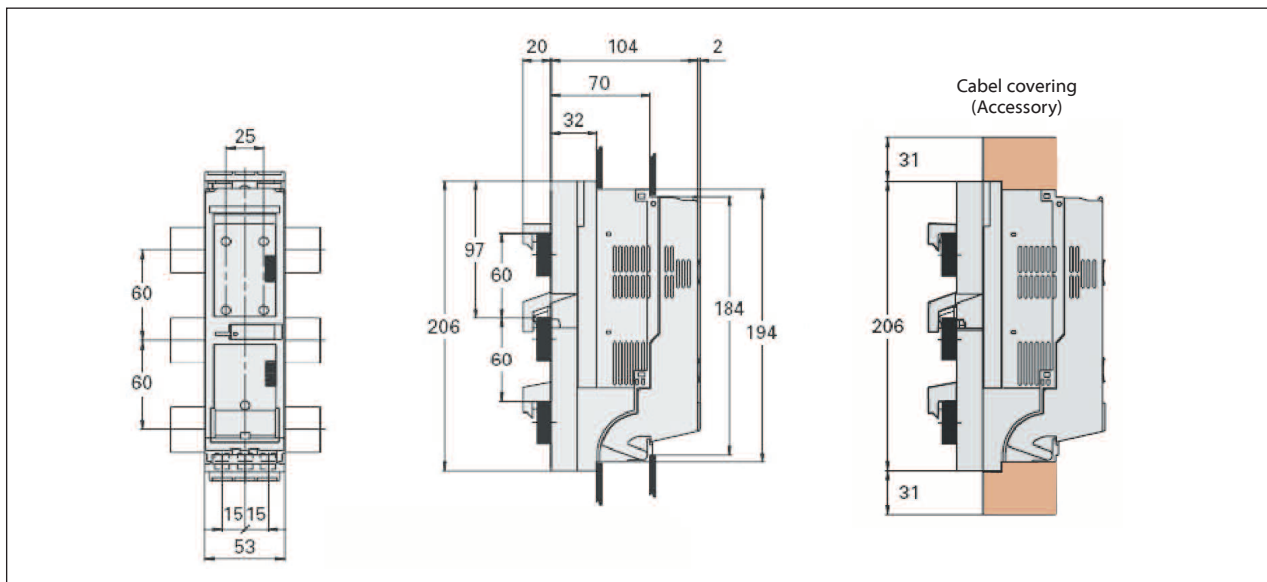


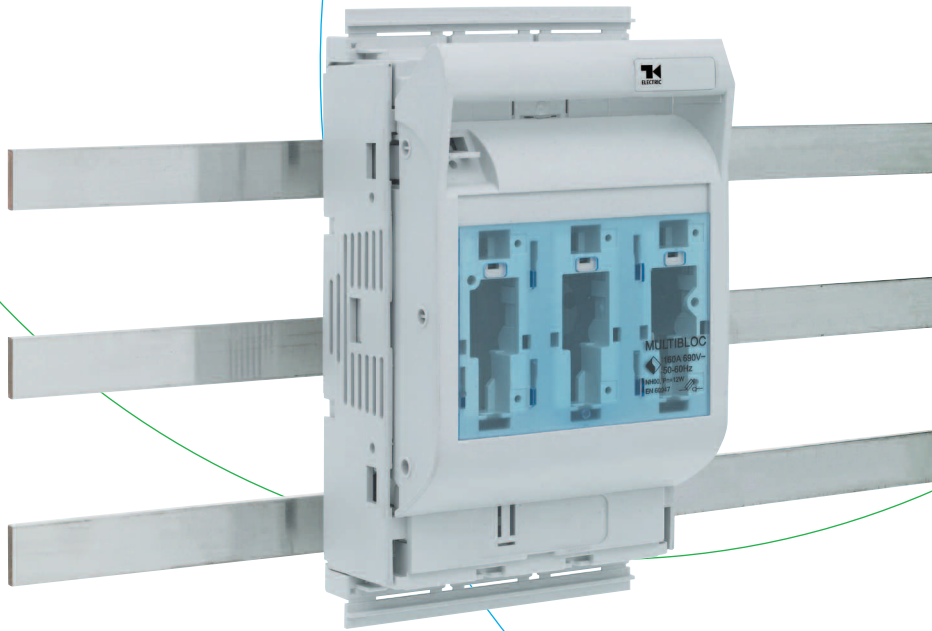
System 60

Size 000
3-pole
100A / 690
54mm width

- snap on assembly
- for bus bars **12-30mm wide** and **5-10mm thickness**
- **integrated touch protection**

Item	Item-No.	kg/pc.	Packaging
NH 000 RT, clamp strap 2,5-50mm 2,5-50mm ² , output at bottom end	14 9010	0,60	1
NH 000 RT, clamp strap 2,5-50mm 2,5-50mm ² , output at top end	14 9011	0,60	1
Control switch indicating switching status	14 0643		1
Bus bar touch protection 1 set = 2 Pcs.	14 0644		1





NH-Bus bar mounting fuse load break switch series MULTIBLOC® series

Size 00
3-pole
160A / 690V

- snap on assembly
- selectable upper or lower cable outputs
- for bus bars 12-30mm wide and 5-10mm thickness
- fuse surveillance - optional

Item	Item-No.	kg/pc.	Packaging
NH-00 RT, 3 M8 terminal screws, 3 clamp straps 4-70mm ²	14 8010	0,88	1
NH-00 RT, 3 M8 terminal screws, 3 clamp straps 4-70mm ² with elec. fuse surveillance (monitoring)	14 8070	0,96	1
Monitoring switch for switching status	14 0852	0,01	1
Cable termination protection cover 1 set = 2 pcs.	14 0147	0,05	1
Bus bar touch protection 1 set = 2 pcs.	14 0148	0,05	1
	14 0155	0,01	1
Covering for distributor installation, single	14 0126	0,02	1
double	14 0127	0,05	1
triple	14 0128	0,07	1

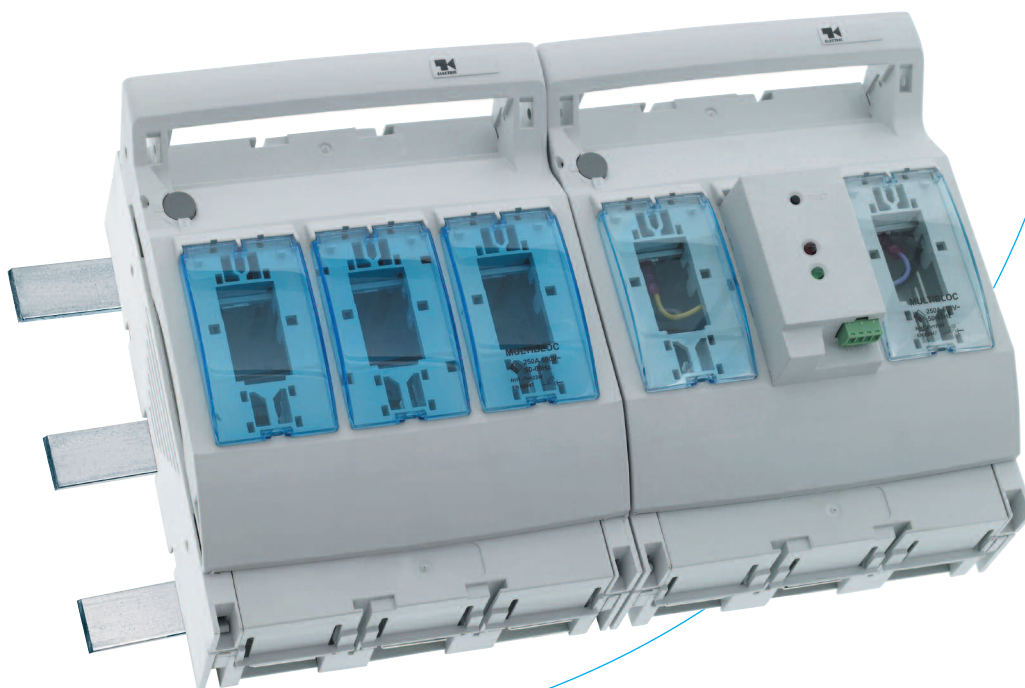
?

Technical details ref. page 43

K' ELECTRIC

WE CONNECT TO PROTECT





NH-Bus bar mounting fuse load break switch MULTIBLOC® NH 1 RT



System 60

Size 1
3-pole
250A / 690V

Item	Item-No.	kg/pc.	Packaging
NH 1 RT with 3 terminal screws M 10	14 8110	3,06	1
NH 1 RT with 3 terminal screws M 10, with electronic fuse monitoring	14 8170	3,14	1
3 Clamp straps 70-150mm ²	14 0420	0,01	1
Monitoring switch for switching status	14 0852	0,01	1
Bus bar touch protection 1 set = 2 pcs.	14 0355	0,16	1
Cable termination protection cover 1 set = 2 pcs.	14 0382	0,25	1
Covering for distributor installation, single	14 0353	0,07	1

K'ELECTRIC

WE CONNECT TO PROTECT



NH-Bus bar mounting fuse load break switch MULTIBLOC® NH 2 RT

Size 2
3-pole
400A / 690V

Item	Item-No.	kg/pc.	Packaging
NH 2 RT with 3 terminal screws M10	14 8210	4,50	1
NH 2 RT with 3 terminal screws M10, with electronic fuse monitoring	14 8270	4,58	1
3 Clamp straps 120-240mm ² (set)	14 1237	0,25	1
Monitoring switch for switching status	14 0852	0,01	1
Bus bar touch protection 1 Set = 2 pcs.	14 0862	0,15	1
Cable termination protection cover 1 set = 2 pcs.	14 0861	0,22	1

2.9



NH-Bus bar mounting fuse load break switch Series KE



System 60

- snap on assembly on 60mm bus bars
- for 12-30mm width and 5-10mm thickness
- integrated touch protection
- lockable
- fuse surveillance optional

Size 00 3-pole 160A / 690V

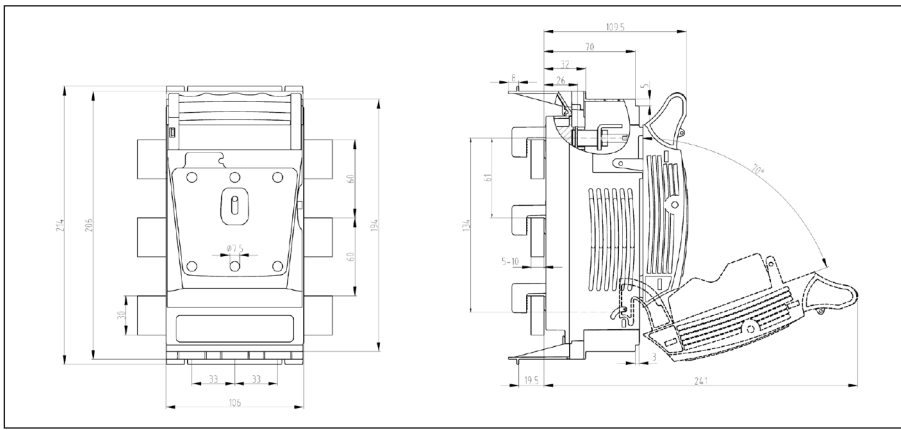
Item	Item-No.	kg/pc.	Packaging
Clamp strap 2,5-70mm ² output at bottom end	20 8010	0,90	1
Clamp strap 2,5-70mm ² output at top end	20 8011	0,90	1
Terminal screw M8 output at bottom end	20 8012	0,90	1
Terminal screw M8 output at top end	20 8013	0,90	1
Attachable connection space extension	20 0148	0,02	1
Monitoring switch for switching status	20 0852	0,01	1

Size 1 3-pole 250A / 690V

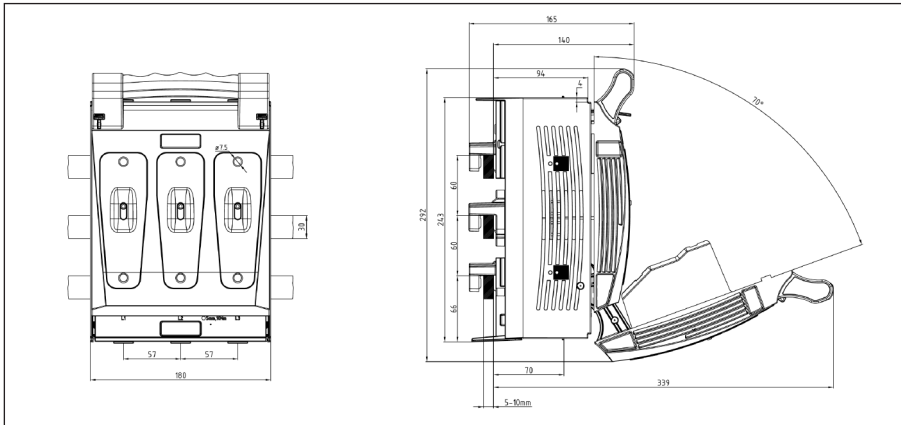
Item	Item-No.	kg/pc.	Packaging
Terminal screw M10 output at bottom end	20 8110	2,50	1
Terminal screw M10 output at top end	20 8111	2,50	1
Clamp straps 70-150mm ² (Set)	20 0420	0,01	1
Attachable connection space extension	20 1148	0,02	1
Monitoring switch for switching status	20 1852	0,01	1

Size 2 3-pole 400A / 690V

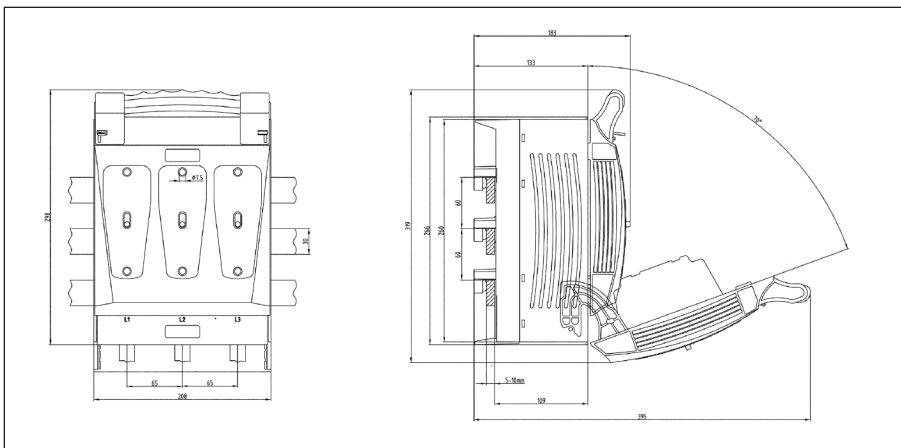
Artikel	Artikel-Nr.	kg/Stück	VE
Terminal screw M10 output at bottom end	20 8210	4,50	1
Terminal screw M10 output at top end	20 8211	4,50	1
Clamp straps 120-240mm ² (Set)	14 1237	0,25	1
Attachable connection space extension	20 2148	0,02	1
Monitoring switch for switching status	20 1852	0,01	1



Size 00
3-pole
160A / 690V



Size 1
3-pole
250A / 690V



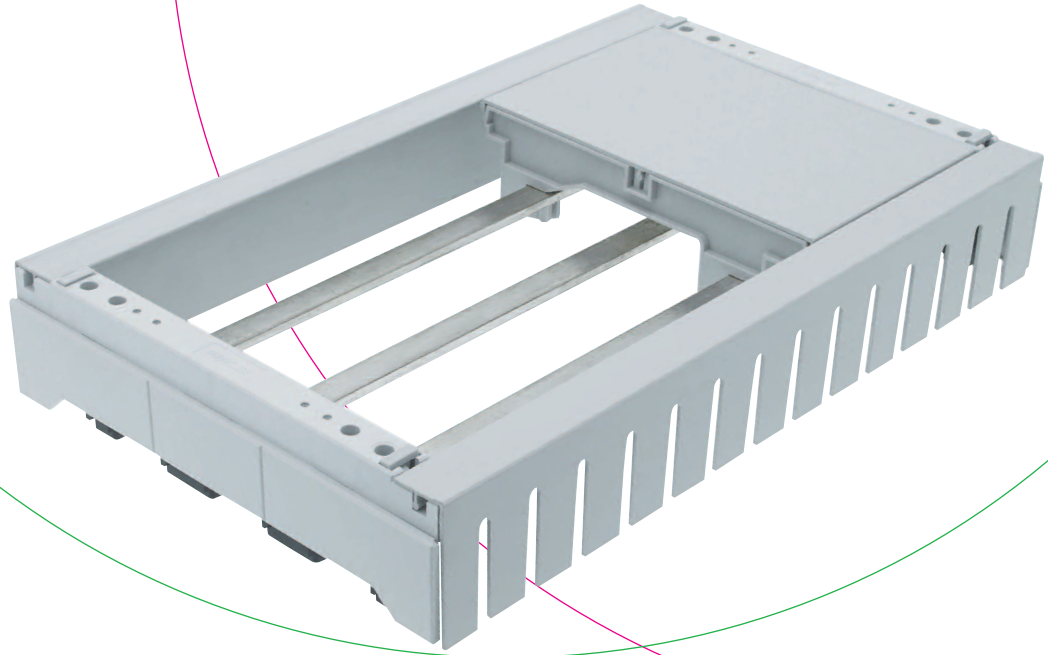
Size 2
3-pole
400A / 690V

Technical data

	NH 00			NH 1			NH 2		
No. of poles	3			3			3		
Conventional free air thermal current links NH I_{th}	160A			250A			400A		
Rated operational voltage U_e	690 V			690 V			690 V		
Rated insulation voltage U_i	1000 V			1000 V			1000 V		
Rated impulse withstand voltage U_{imp}	8 KV			12 KV			12 KV		

Utilization category	AC 23B	DC 21B	DC 22B	AC 23B	AC 22B	DC 22B	AC 23B	DC 21B	DC 22B
Rated operational current I_e (A)	160	160	160	250	250	250	400	400	400
Rated operational voltage U_e (A)	690	440	250	400	690	250	690	440	220
Conventional nominal impact-short circuit current	690V	80kA	20kA	80kA	80kA	25kA	80kA	15kA	20kA
Rated short circuit making capacity	690V	80kA	20kA	80kA	80kA	25kA	80kA	15kA	20kA
Rated short circuit making capacity	400V	100kA		100kA	100kA		100kA		
Reduction by I_{th} (without Fuse operation)	12W			32W			45W		
Rated operational frequency	50-60			50-60			50-60		
Degree of protection	IP 20			IP 20			IP 20		
Environment temperature tolerance °C				-25°C bis + 55°C					

2.11



PARTITIONS AND SHROUDS

The partition and shroud system offers comprehensive contact protection for the System 60



Covering systems

Item	Item-No.	kg/pc.	Packaging
Cover shroud for bus bar support 10 6300	12 6070	0,06	10
Side cover for partition and shroud system	12 6071	0,03	10
Slitted shroud ; 2000mm long	12 6072	0,47	5
Closed shroud; 2000mm long	12 6073	0,53	5
Panel mount; support edge 32mm	12 6074	0,04	10
Panel cover 1000mm long	12 6075	0,64	2



WE CONNECT TO PROTECT



Bus bar covering
Length 1m
for Cu-bars up to 30mm



Item	Item-No.	kg/pc.	Packaging
Cover strips for 5mm bus bar	15 6076	0,07	10
Cover strips for 10mm bus bar	15 6077	0,09	10

3.0 NH-FUSE SWITCH DISCONNECTOR for panel mounting

3.1 Series MULTIBLOC®



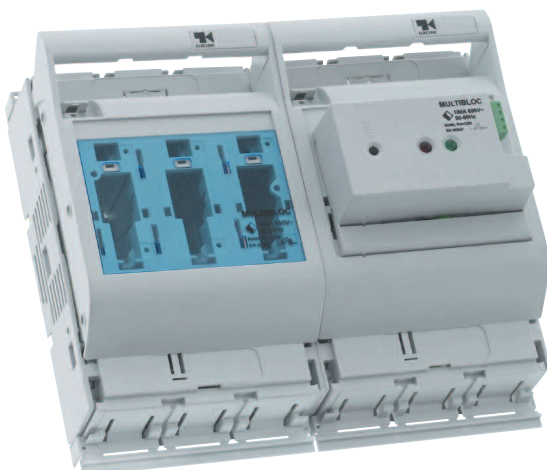
MULTIBLOC® NH 00 AT

Size 00, 160A / 690V
Panel mounting version

1-pole
2-pole
3-pole
3-pole + N

 K'ELECTRIC

WE CONNECT TO PROTECT



NH-fuse load break switch MULTIBLOC® NH 1 AT

Size 1, 250A / 690V
Panel mounting version

1-pole
2-pole
3-pole
3-pole + N

MULTIBLOC® NH 00 AT

Size 00, 160A / 690V, 1-pole, 2-pole

Item	Item-No.	kg/pc.	Packaging
NH 00AT 1-pole with 6 clamp straps 4-70mm ²	14 3019	0,32	1
NH 00AT 2-pole with 6 clamp straps 4-70mm ²	14 3018	0,62	1
Cable termination cover 1 Set = 2 Stück	14 0149	0,02	1
Fixing set for DIN-bus bar 125mm	14 0151	0,08	1
Fixing set for DIN-bus bar 150mm	14 0152	0,10	1
Sealing set	14 0155	0,01	1
Monitoring switch for switching status	14 0852	0,01	1
Connection screws M8 (Set = 3 Stück)	14 8052	0,03	1
Connection clamps Al/Cu 1,5-70mm ²	14 8053	0,04	1

Size 00, 160A / 690V, 3-pole, panel mounting version

Item	Item-No.	kg/pc.	Packaging.
NH 00AT with 6 clamp straps 4-70mm ²	14 3010	0,74	1
NH 00AT with 6 clamp straps 4-70mm ² with electronic fuse monitoring	14 3070	0,82	1
Monitoring switch for switching status	14 0852	0,01	1
Cable termination cover 1 set = 2 pcs.	14 0148	0,05	1
DIN - fixing for 125mm	14 0153	0,14	1
DIN - fixing for 150mm	14 0154	0,16	1
Covering for distributor installation, single	14 0126	0,02	1
double	14 0127	0,05	1
triple	14 0128	0,07	1

Size 00, 160A / 690V, 3-polig+N

Item	Item-No.	kg/pc.	Packaging
NH 00 AT with connection screw	14 3090	1,8	1

NH-Fuse load break switch MULTIBLOC® NH 1 AT

Size 1, 250A / 690V, 1-pole, 2-pole

Item	Item-No.	kg/pc.	Packaging
NH 1AT 1-pole with terminal screws M10	14 3119	1,02	1
NH 1AT 2-pole with terminal screws M10	14 3118	2,06	1
Cable termination cover 1 Set = 2 pcs	14 0354	0,09	1
Fixing set for DIN-bus bar 125mm	14 0402	0,28	1
Fixing set for DIN-bus bar 150mm	14 0403	0,24	1
Sealing set	14 0155	0,01	1
Monitoring switch for switching status	14 0852	0,01	1

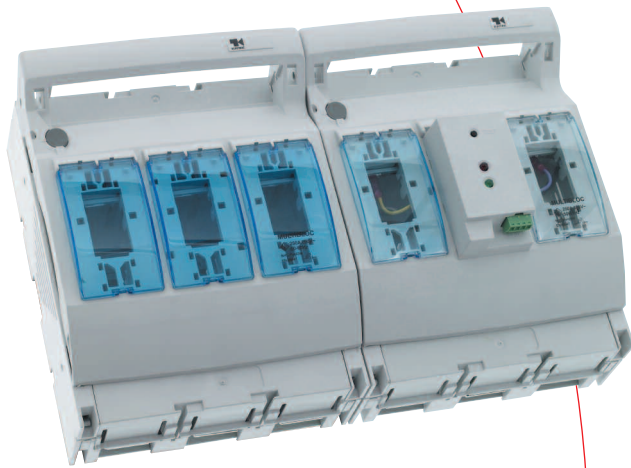
Size 1, 250A / 690V, 3-pole, panel mounting version

Item	Item-No.	kg/pc.	Packaging
NH 1 AT with 6 terminal screws M10	14 3110	2,42	1
NH 1 AT with 6 terminal screws M10, with electronic fuse monitoring	14 3170	2,50	1
3 Clamp straps 70-150mm ²	14 0420	0,10	1
Monitoring switch for switching status	14 0852	0,01	1
Cable termination cover 1 set = 2 pcs.	14 0382	0,25	1
Covering for distributor installation, single	14 0353	0,07	1

Size 1, 250A / 690V

3-pole+N

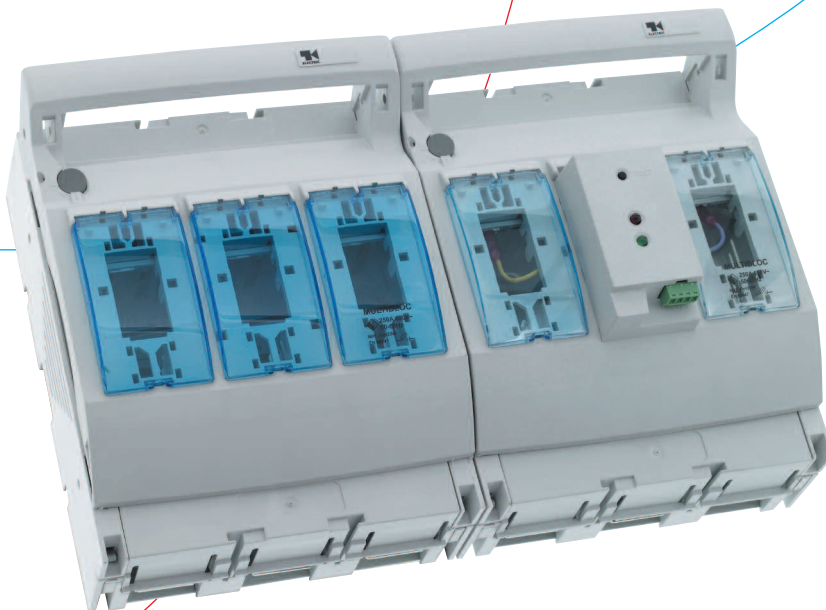
Item	Item-No.	kg/pc.	Packaging
NH 1 AT with terminal screws M10	14 3190	3,55	1



NH-Fuse load break switch MULTIBLOC® NH 2 AT

Size 2, 3-polig, 400A / 690V Panel mounting version

Item	Item-No.	kg/pc.	Packaging
NH 2 AT; with 6 terminal screws M10	14 3210	3,50	1
NH 2 AT; with 6 terminal screws M10, with electronic fuse monitoring	14 3270	4,58	1
3 clamp straps 120-240mm ² (set)	14 1237	0,25	1
Monitoring switch for switching status	14 0852	0,01	1
Cable termination cover 1 set = 2 pcs.	14 0861	0,22	1

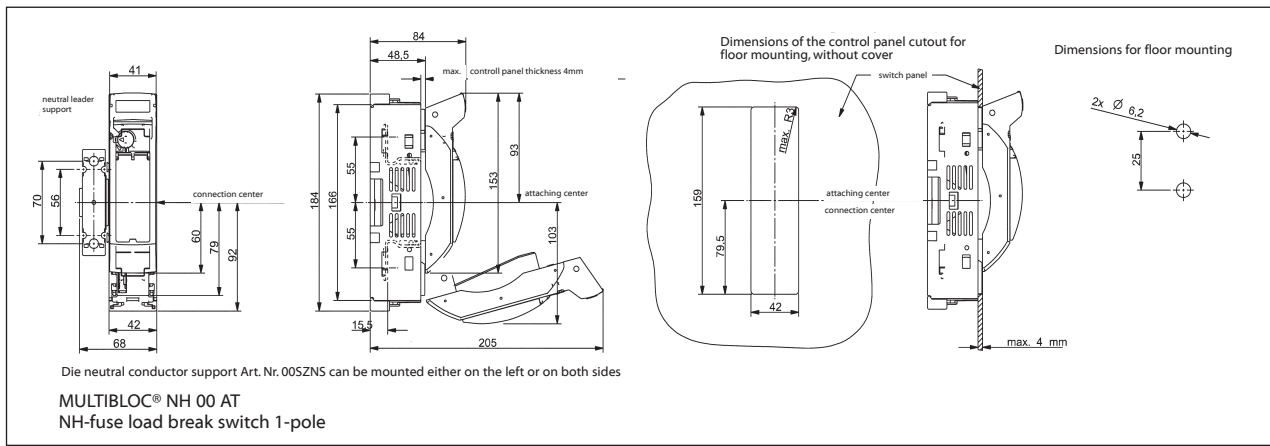


NH-Fuse load break switch MULTIBLOC® NH 3 AT

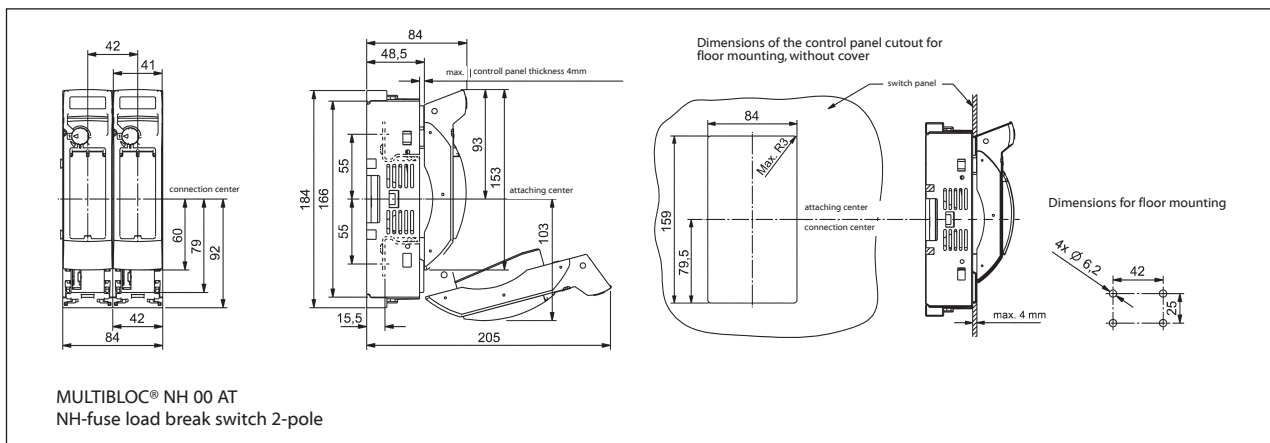
Size 3, 3-polig, 630A / 690V Panel mounting version

Item	Item-No.	kg/pc.	Packaging
NH 3 AT; with 6 terminal screws M12	14 3310	4,94	1
NH 3 AT; with 6 terminal screws M12, with electronic fuse monitoring	14 3370	5,23	1
3 clamp straps 150-300mm ² (set)	14 1238	0,32	1
Monitoring switch for switching status	14 0852	0,01	1
Cable termination cover 1 set = 2 pcs.	14 0893	0,32	1
Bus bar-adapter system 60mm	14 0490	-	1

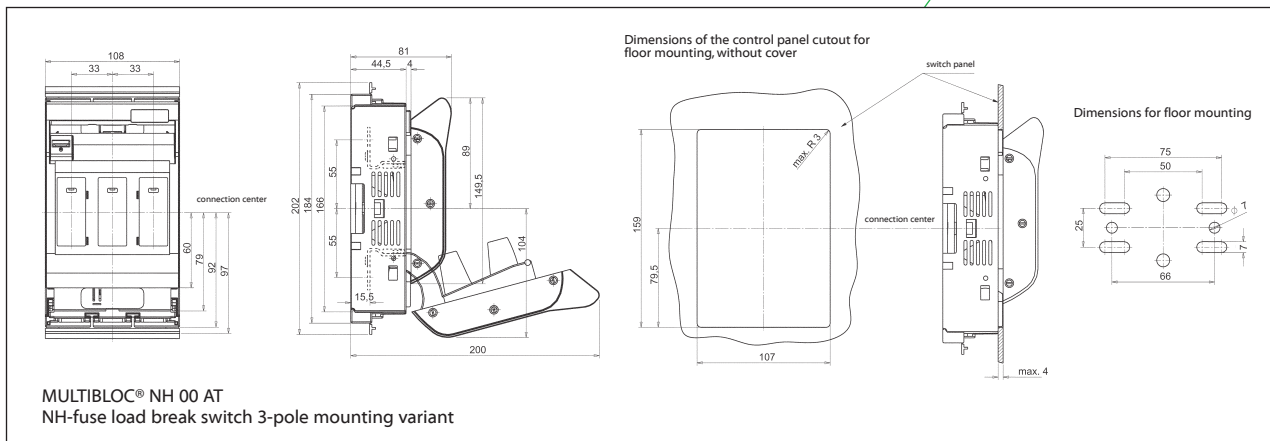
MULTIBLOC® NH 00 AT, 1-pole



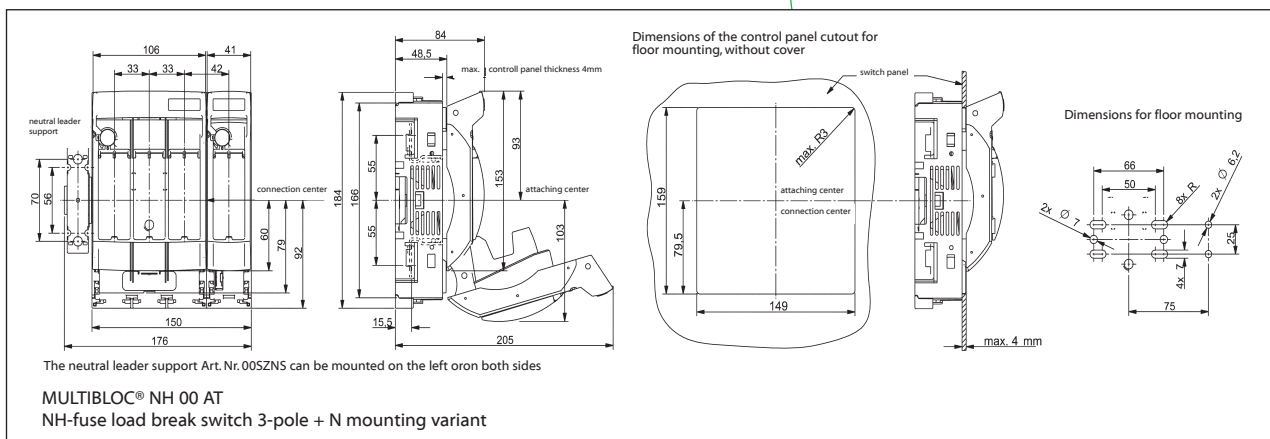
MULTIBLOC® NH 00 AT, 2-pole



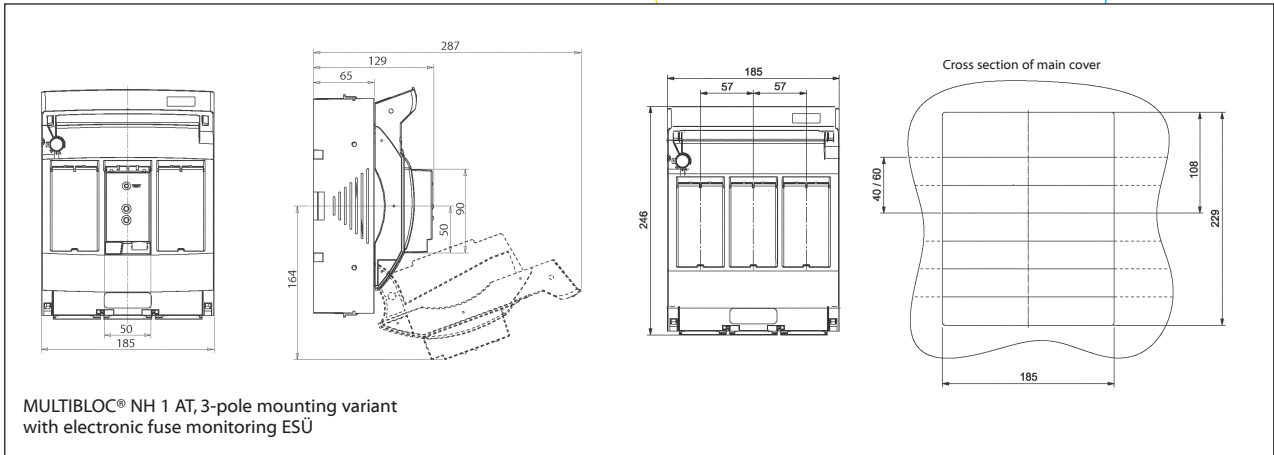
MULTIBLOC® NH 00 AT, 3-polig



MULTIBLOC® NH 00 AT, 3-polig+N

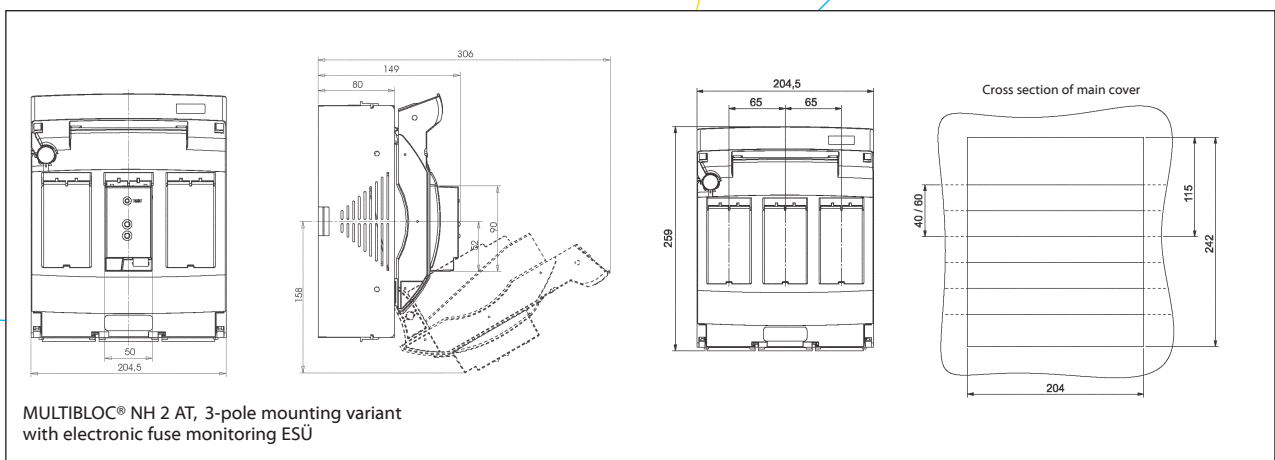


MULTIBLOC® NH 1 AT



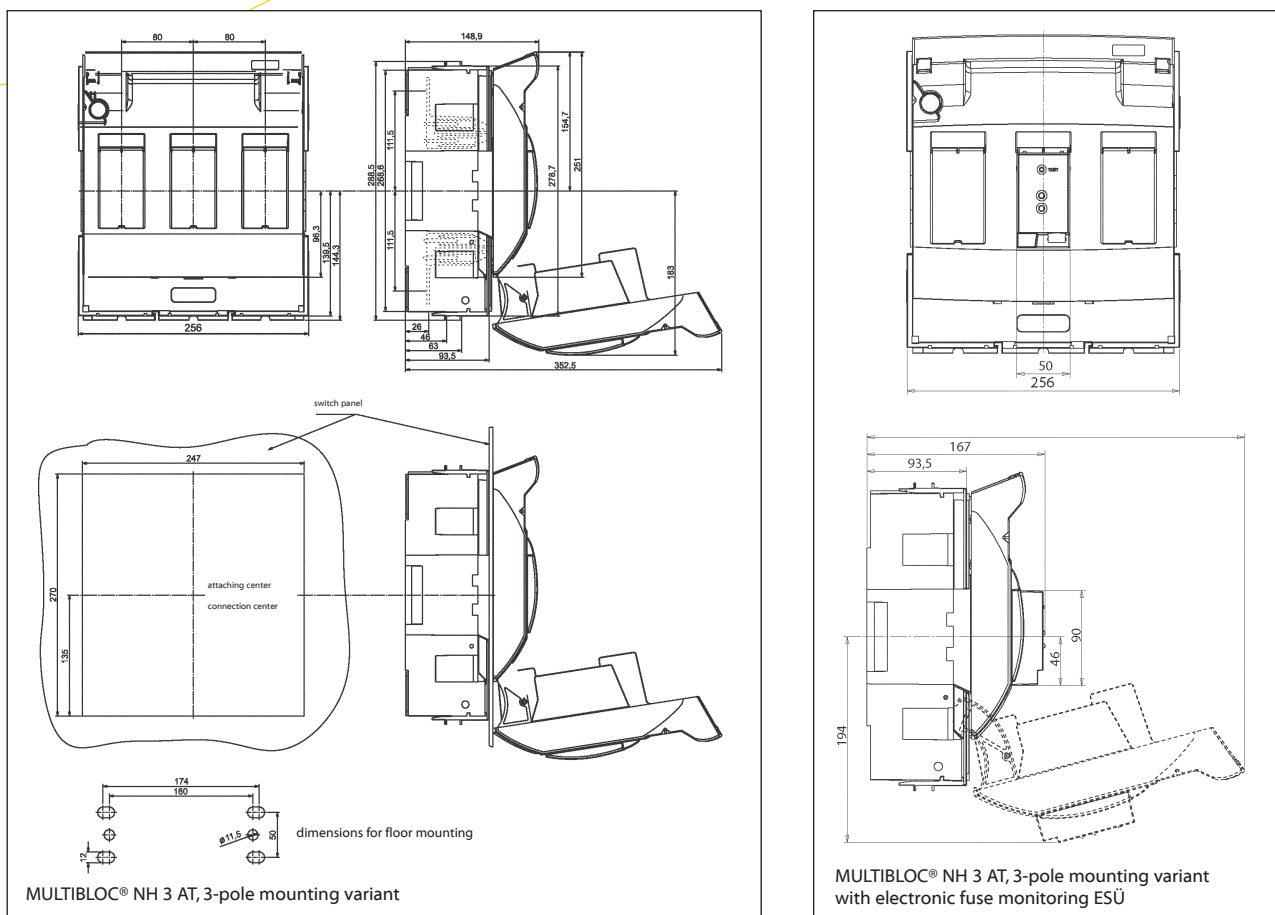
MULTIBLOC® NH 1 AT, 3-pole mounting variant with electronic fuse monitoring ESÜ

MULTIBLOC® NH 2 AT



MULTIBLOC® NH 2 AT, 3-pole mounting variant with electronic fuse monitoring ESÜ

NH-Fuse load break switch MULTIBLOC® NH 3 AT



MULTIBLOC® NH 3 AT, 3-pole mounting variant

MULTIBLOC® NH 3 AT, 3-pole mounting variant with electronic fuse monitoring ESÜ

Technical data				NH 000 RT	NH 00 RT/AT	NH 1 RT/AT	NH 2 RT/AT	NH 3 AT
No. of poles				3	3	3	3	3
Conventional free air thermal current links NH I_{th}				100A	160A	250A	400A	630A
Rated operational voltage U_e				690 V	690 V	690 V	690 V	690 V
Rated insulation voltage U_i				1000 V	1000 V	1000 V	1000 V	1000 V
Rated impulse withstand voltage U_{imp}				6 KV	8 KV	12 KV	12 KV	12 KV
Conditional short circuit making capacity NH								
AC 400V				80kA	50kA	80kA	80kA	50kA
AC 500V				80kA	50kA	80kA	80kA	50kA
AC 690 V				80kA	50kA	50kA	80kA	50kA
Utilization- category	Rated operational- voltage	Rated operational- current I_e						
AC 23B	400V	$I_e =$	100A	160A	250A	400A	630A	
AC 22B	500V	$I_e =$	-	160A	250A	400A	630A	
AC 21B	690V	$I_e =$	100A	125A	200A	315A	500A	
DC 22B	440V	$I_e =$	-	160A	-	-	-	
DC 21B	440V	$I_e =$	100A	-	250A	400A	-	
Environment temperature tolerance °C						-5 to + 40		
Degree of protection				IP 3X	IP 20	IP 20	IP 20	IP 20
max. permissible power dissipation of solid links P_n				7,5W	12W	23W	34W	48W

K'ELECTRIC

WE CONNECT TO PROTECT



3.2 NH-FUSE SWITCH DISCONNECTOR for panel mounting Series KE



Size 00 3-pole 160A / 690V

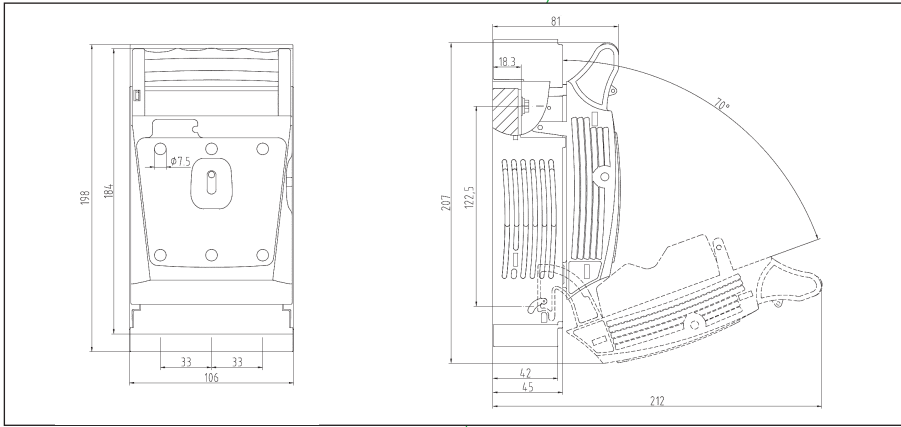
Item	Item-No.	kg/pc.	Packaging
NH 00 with 6 clamp straps 4-70mm	20 3010	0,70	1
NH 00 with 6 terminal screws M8	20 3011	0,70	1
Attachment set for DIN rail	20 0153	0,01	1
Attachable terminal space-extension	20 0148	0,02	1
Monitoring switch for switching status	20 0852	0,01	1

Size 1 3-pole 250A / 690V

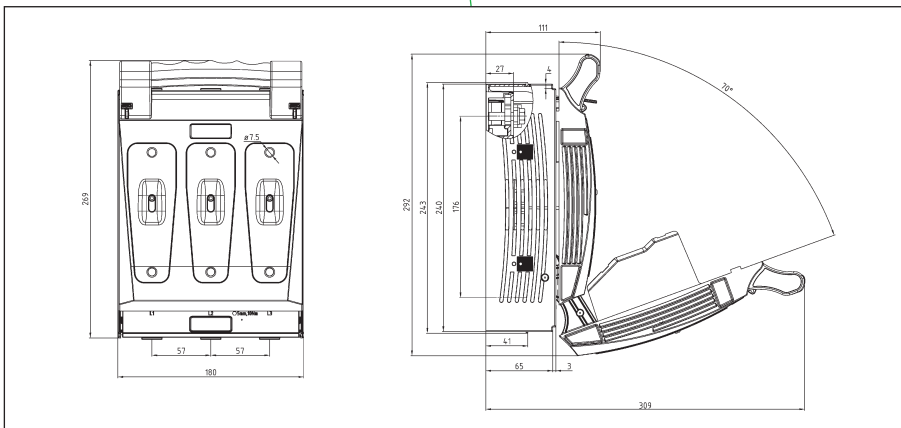
Item	Item-No.	kg/pc.	Packaging
NH 1 with terminal screws M10	20 3110	2,00	1
Clamp straps 70-150mm (set)	20 0420	0,01	1
Attachable terminal space-extension	20 1148	0,02	1
Monitoring switch for switching status	20 1852	0,01	1

Size 2 3-pole 400A / 690V

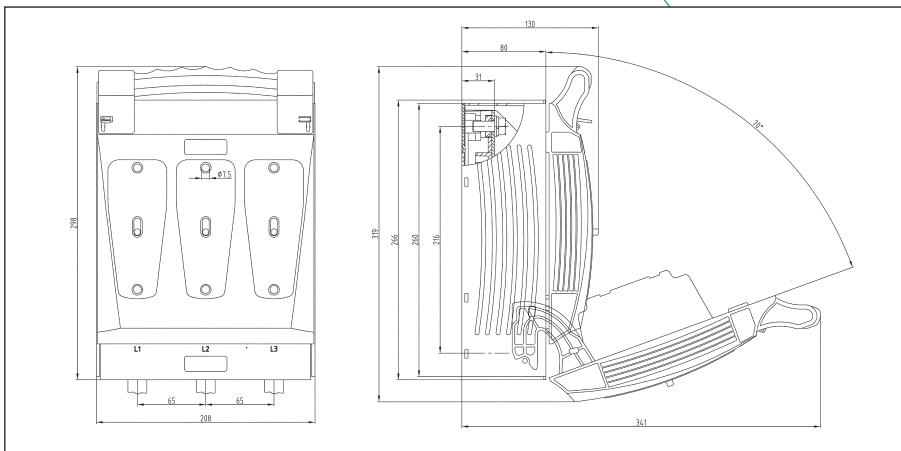
Item	Item-No.	kg/pc.	Packaging
NH 2 with terminal screws M10	20 3210	3,00	1
Clamp straps 120-240mm (set)	14 1237	0,25	1
Attachable terminal space-extension	20 2148	0,02	1
Monitoring switch for switching status	20 1852	0,01	1



Size 00
3-pole
160A / 690V



Size 1
3-pole
250A / 690V



Size 2
3-pole
400A / 690V

Technical data	NH 00			NH 1		NH 2		
	No. of poles	3			3		3	
Conventional free air thermal current links NH I_{th}	160A			250A		400A		
Rated operational voltage U_e	690 V			690 V		690 V		
Rated insulation voltage U_i	1000 V			1000 V		1000 V		
Rated impulse withstand voltage U_{imp}	8 KV			12 KV		12 KV		
Utilization category	AC 23B	DC 21B	DC 22B	AC 23B	DC 22B	AC 23B	DC 21B	DC 22B
Rated operational current I_e (A)	160	160	690	250	250	160	400	400
Rated operational voltage U_e (A)	690	440	250	690	250	690	440	220
conventional rated peak	690V	80kA	20kA	80kA	25kA	80kA	15kA	20kA
short-circuit current	400V	100kA		100kA		100kA		
Rated short circuit	690V	80kA	20kA	80kA	25kA	80kA	15kA	20kA
switch capacity	400V	100kA		100kA		100kA		
power dissipation I_{th} (without fuse)	12W			32W		45W		
measurement frequency	50-60			50-60		50-60		
Degree of protection	IP 20			IP 20		IP 20		
Environment temperature tolerance °C				-25°C bis + 55°C				

4.0 BUS BAR SYSTEM 100/185mm

4.1

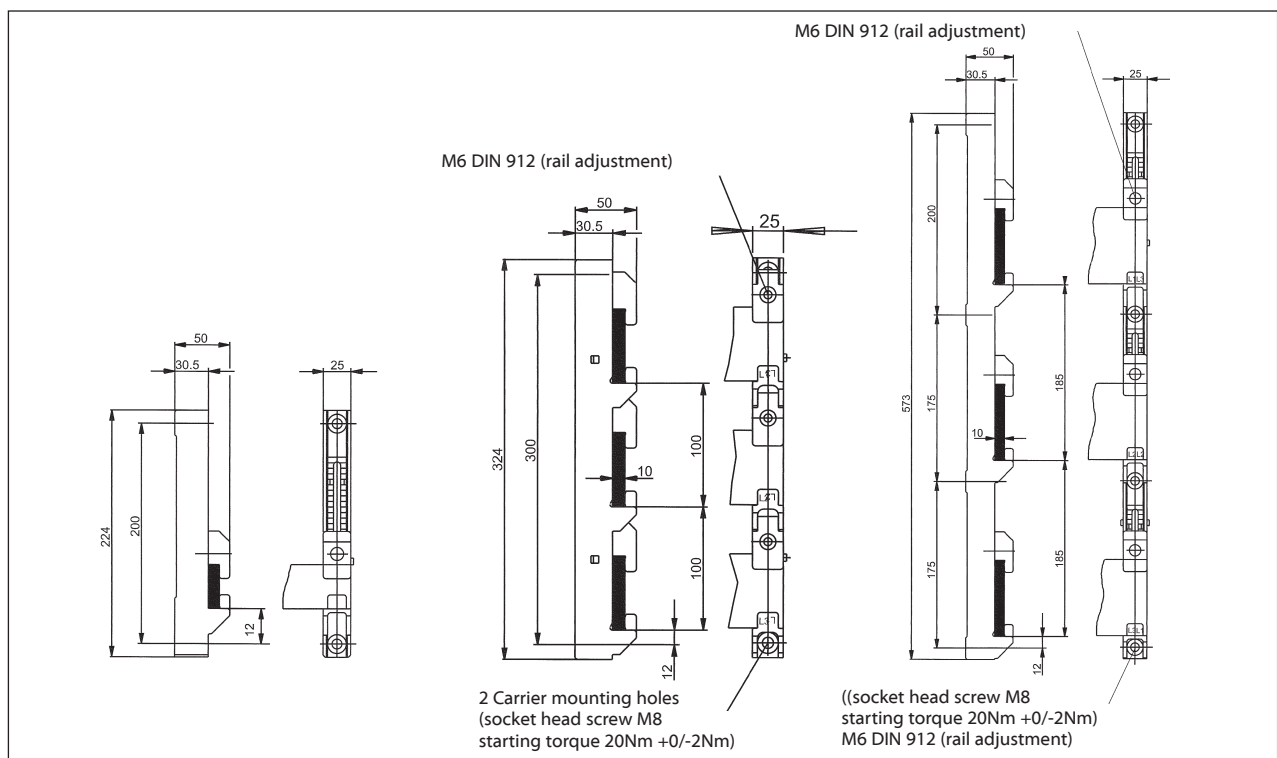


BUS BAR SUPPORT for 100 and 185mm systems

- snap on bus bar support mounting
- bus bar rail width of 30—120 mm (185mm system)
- bus bar rail width of 30—60 mm (100mm system)
- bus bar rail thickness: 10 mm

Technical data

rated operating voltage	1000V AC
rated insulation voltage	2000V AC
rated frequency	50Hz
flame behavior	to UL 94 V40
resistance to leakage current	CTI 600
continuous operation temperature	150°
filament firmness	960°



Item	Item-No.	kg/pc.	Packaging
100mm bus bar carrier 3 pole	18 8100	0,36	1
185mm bus bar carrier 3 pole	18 8101	0,54	1
bus bar carrier 1 pole	18 8102	0,20	1
100mm end covering 3 pole	18 8103	0,07	1
185mm end covering 3 pole	18 8104	0,12	1



MTO
electric a/s

Stiftsvej 14
DK-7100 Vejle
Tlf. 75 800 310
Fax 75 800 320
info@mto-electric.dk



SCAN KODEN MED DIN SMARTPHONE OG
Besøg WWW.MTO-ELECTRIC.DK



FØLG OS PÅ DE SOCIALE MEDIER

WWW.MTO-ELECTRIC.DK

Vi tilbyder et bredt lagerført program af el-komponenter, skabe og bokse, tilbehør samt en række nicheprodukter. Vi har mere end 40.000 varenumre og er lagerførende på en meget stor del.

Vi har stort fokus på individuelle behov og tilbyder skræddersyede løsninger baseret på dine ønsker f.eks. specielle tekniske data, dimensioner, hultagning eller farver. Vi har egen montageafdeling og samarbejder med leverandører, som kan specialfremstille produkter.

Vi tager forbehold for fejl