

Horizontal fuse-switch disconnecter type KVL for DC applications

Technical data (in accordance with IEC/EN 60947-3)											
Technical specifications			Size 00			Size 1			Size 3		
Technical characteristics											
Rated operational voltage	Ue	V	DC250	DC440	DC1000	DC250	DC440	DC1000	DC220	DC440	DC1000
Rated operational current	Ie	A	160	160	160	250	250	250	630	630	630
Rated insulation voltage	Ui	V	AC1000			AC1000			AC1000		
Total power loss (without fuse)	Pv	W	1P-3W, 3P-9W			1P-5W, 3P-15W			1P-17W, 3P-51W		
Utilisation category	-	-	DC22B	DC21B	DC20B	DC22B	DC21B	DC20B	DC22B	DC22B	DC20B
Fuse links											
Size-DIN43620	-	-	00C/00			1			3		
Max. rated current	In	A	160	160	160	250	250	250	630	630	630
Max. permissible power loss per fuse link	Pa	W	12			23			48		
Screw	-	-	M8			M10			M10/M12		
Torque	Ma	Nm	12-15			30-35			30-35		
Clip terminal, Clamping cross-section	-	mm ²	Round conductor: 1,5-70 Cu, Strip conductor: 6 x 9 x 0,8 Cu			Round conductor: 2,5-150 Cu, Strip conductor: 6 x 16 x 0,8 Cu			Strip conductor: 11 x 21 x 1 Cu		
Tightening torque	Ma	Nm	2,6			9,5			23		
Prism Clamp, Clamping cross-section		mm ²	(SP KVL00 P1); 10-70 Al/Cu, 35-95 Al/Cu			(SP KVL1 P1); 10-150 Al/Cu			(SP KVL3 P1); 120-300 Al/Cu		
Tightening torque	Ma	Nm	(SP KVL00 P1); 2,6			(SP KVL1 P1); 4,5			(SP KVL3 P1); 11		
Prism Clamp, Clamping cross-section		mm ²	/			(SP KVL1 P2); 2 x (10-150) Al/Cu			(SP KVL3 P2); 2 x (120-240) Al/Cu		
Tightening torque	Ma	Nm	/			(SP KVL1 P2); 4,5			(SP KVL3 P2); 11		
Frame clamp, Clamping cross-section		mm ²	1,5-95 Al/Cu, (Al 95: max. 125A)			35-150 Al/Cu			95-300 Al/Cu		
Torque	Ma	Nm	4,5			12			20		
Protection											
Front cover close	-	-	IP20			IP20			IP20		
Front cover open	-	-	IP10			IP10			IP10		
Operating condition											
Ambient temperature	Tu	°C	-25°C ... +55°C								
Operating condition	-	-	continuous operation								
Mounting	-	-	vertical, horizontal								
Altitude	-	m	≤ 2000								
Pollution degree overvoltage category	-	-	3								

1-pole horizontal fuse-switch disconnecter for baseplate mounting

For size	Code No.	Type	Weight [kg]	Packaging [pcs]
00	001690890	KVL-00 1p M8-M8	0,31	2
1	001690891	KVL-1 1p M10-M10	0,93	1
2-3	001690892	KVL-3 1p M10-M10	1,57	1

* see also table of accessories for KVL



2-pole horizontal fuse-switch disconnecter for baseplate mounting

For size	Code No.	Type	Weight [kg]	Packaging [pcs]
00	001690895	KVL-00 2p M8-M8	0,72	1
1	001690896	KVL-1 2p M10-M10	1,88	1
2-3	001690897	KVL-3 2p M10-M10	3,19	1

* see also table of accessories for KVL

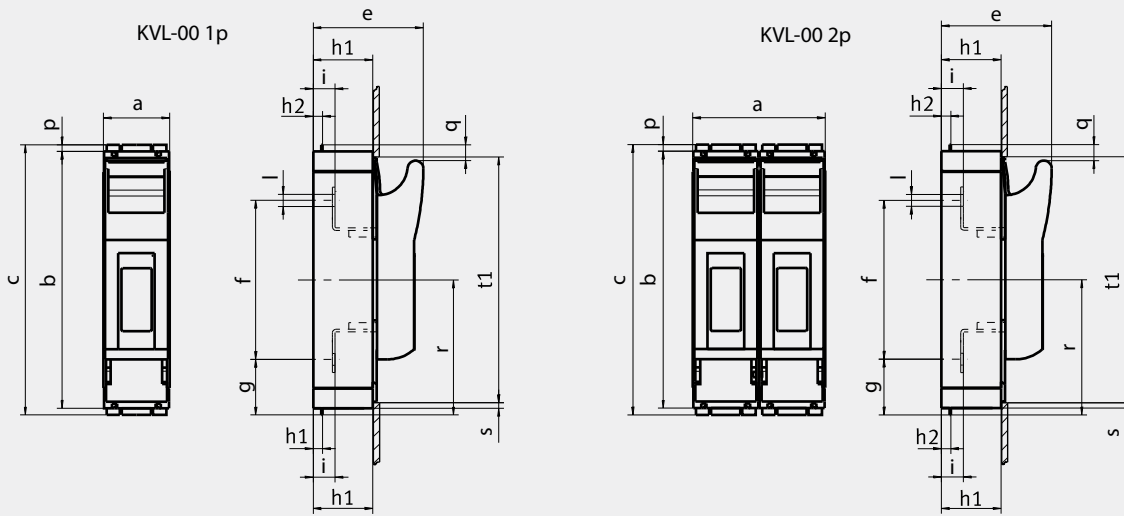


3-pole horizontal fuse-switch disconnecter for baseplate mounting

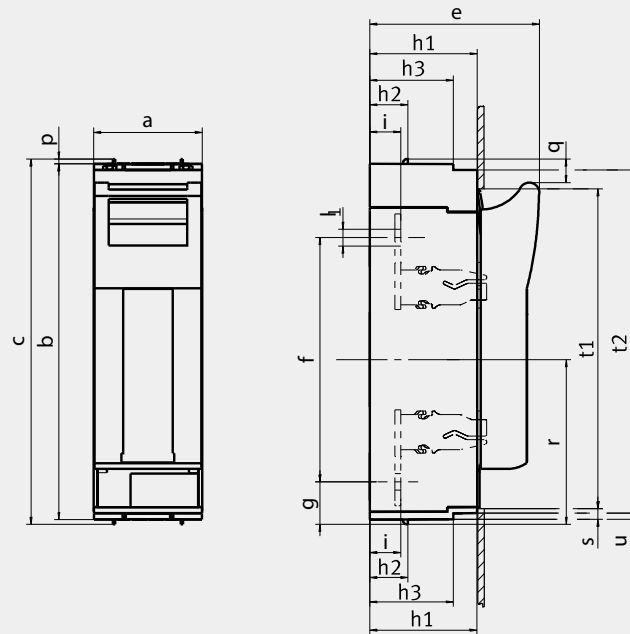
For size	Code No.	Type	Weight [kg]	Packaging [pcs]
00	001690870	KVL-00 3p M8-M8	0,63	1
	001690871	KVL-00 3p BC95-BC95	0,67	1
1	001690872	KVL-1 3p M10-M10	2,03	1
2	001690873	KVL-2 3p M10-M10	3,42	1
3	001690874	KVL-3 3p M10-M10	3,95	1

* see also table of accessories for KVL

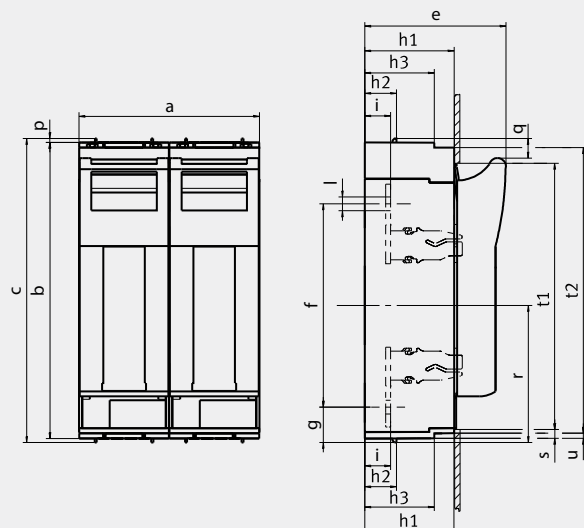




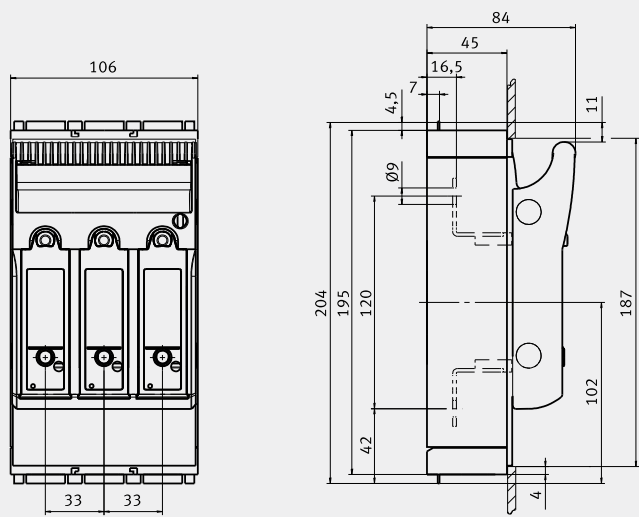
	a	b	c	e	f	g	h1	h2	h3	i	l	p	q	r	s	t1
KVL-00 1p M8-M8	50	195	204	84	120	42	45	7	-	16,5	∅9	4,5	12	102	5	187
KVL-00 2p M8-M8	100	195	204	84	120	42	45	7	-	16,5	∅9	4,5	12	102	5	187



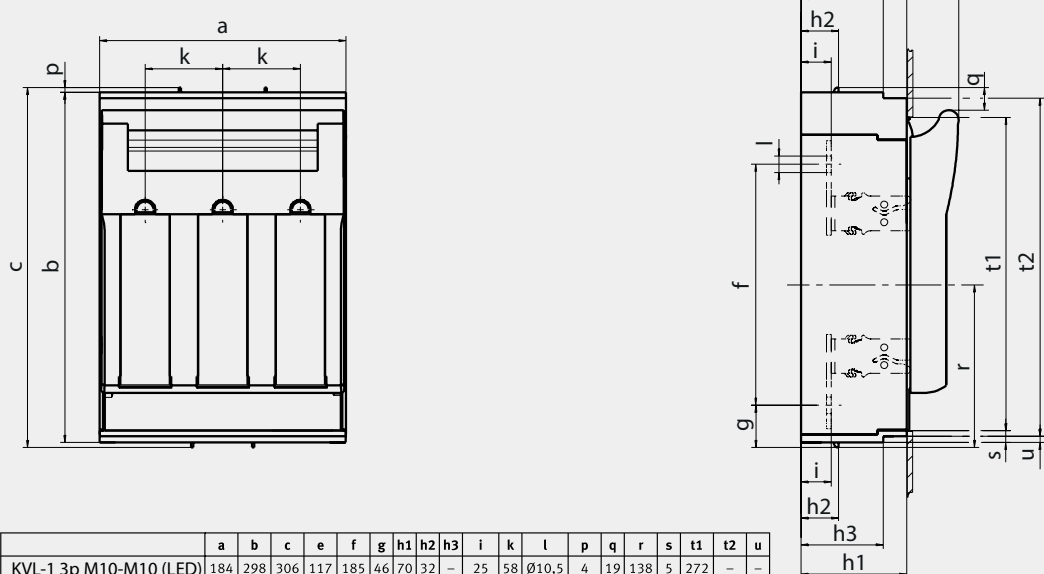
	a	b	c	e	f	g	h1	h2	h3	i	l	p	q	r	s	t1	t2	u
KVL-1 1p M10-M10	69	298	306	117	185	46	70	32	-	25	∅10,5	4	19	138	5	272	-	-
KVL-3 1p M10-M10	91	298	306	143	205	36	90	32	70	26	∅14	4	19	138	10	268	288	5



	a	b	c	e	f	g	h1	h2	h3	i	l	p	q	r	s	t1	t2	u
KVL-1 2p M10-M10	138	298	306	117	185	46	70	32	-	25	Ø10,5	4	19	138	5	272	-	-
KVL-3 2p M10-M10	182	298	306	143	205	36	90	32	70	26	Ø14	4	19	138	10	268	288	5



- KVL-00 3p M8-M8
- KVL-00 3p BC95-BC95
- KVL-00 3p M8-M8 LED
- KVL-00 3p BC95-BC95 LED



	a	b	c	e	f	g	h1	h2	h3	i	k	l	p	q	r	s	t1	t2	u
KVL-1 3p M10-M10 (LED)	184	298	306	117	185	46	70	32	-	25	58	Ø10,5	4	19	138	5	272	-	-
KVL-2 3p M10-M10 (LED)	210	298	306	134	205	36	90	32	70	26	66	Ø14	4	19	138	10	268	288	5
KVL-3 3p M10-M10 (LED)	250	298	306	143	205	36	90	32	70	26	82	Ø14	4	19	138	10	268	288	5

Accessories for KVL			
Type	Code No.	Description	Packaging
SP KVL00	001692701	Clip terminal, 1,5 – 70 50mm ² Cu	set=3
SP KVL1	001692702	Clip terminal, 25– 150 50mm ² Cu	set=3
SP KVL2	001692703	Clip terminal, 25– 240 50mm ² Cu	set=3
SP KVL3	001692704	Clip terminal, 11x21 50mm ² Cu	set=3
SP KVL00 P1	001692760	Prism clamp, 10 – 70 50mm ² Al/Cu	set=3
SP KVL1 P1	001692761	Prism clamp, 70 – 150 50mm ² Al/Cu	set=3
SP KVL2 P1	001692762	Prism clamp, 120 – 240 50mm ² Al/Cu	set=3
SP KVL3 P1	001692763	Prism clamp, 120 – 300 50mm ² Al/Cu	set=3
SP KVL1 P2	001692764	Prism clamp for 2-conductors connection, 2x70 – 95 50mm ² Al/Cu	set=3
SP KVL2 P2	001692765	Prism clamp for 2-conductors connection, 2x120 – 150 50mm ² Al/Cu	set=3
SP KVL3 P2	001692766	Prism clamp for 2-conductors connection, 2x120 – 240 50mm ² Al/Cu	set=3
SP KVL-1 V	001690940	Frame clamp, 35-150mm ² Al/Cu	set=3
SP KVL-23 V	001690941	Frame clamp, 95-300mm ² Al/Cu	set=3
SP KVL-00 FC95	001690942	Feeding clamp, 25-95mm ² Cu/Al, isolated, terminal M8,*	set=3
IZ2 KVL-00 3p	001690943	Phase busbars, 2 x 3pole KVL-00 50mm ²	5
IZ3 KVL-00 3p	001690944	Phase busbars, 3 x 3pole KVL-00 50mm ²	5
IZ4 KVL-00 3p	001690945	Phase busbars, 4 x 3pole KVL-00 50mm ²	3
IZ5 KVL-00 3p	001690946	Phase busbars, 5 x 3pole KVL-00 50mm ²	3
MST KVL-00 1p	001690947	Switch position indicator, 1-pole, size 00, **	1
MST KVL-00 3p	001690948	Switch position indicator, 3-pole, size 00, **	1
MST KVL-123 1p/2p/3p	001690949	Switch position indicator, 1/2/3 -pole, size 1, 2, 3, ***	1
MFM KVL-00 1p/2p/3p	001690950	Mechanical fuse monitor, size 00, **	3
MFM KVL-123 1p/2p/3p	001690951	Mechanical fuse monitor, size 1, 2, 3, **, ***	3
PRS KVL-00 3p L	001690952	Terminal cover, 3-pole, variable to open, Length 66mm, size 00	2
PRS KVL-00 3p S	001690953	Terminal cover, 3-pole, variable to open, Length 36mm, size 00	2
PRS KVL-1 3p	001690954	Terminal cover, 3-pole, variable to open, Length 42mm, size 1	2
PRS KVL-2 3p	001690955	Terminal cover, 3-pole, variable to open, Length 42mm, size 2	2
PRS KVL-3 3p	001690956	Terminal cover, 3-pole, variable to open, Length 42mm, size 3	2
PRS KVL-00 1p L	001690957	Terminal cover, 1-pole, variable to open, Length 66mm, size 00	2
PRS KVL-00 1p S	001690958	Terminal cover, 1-pole, variable to open, Length 36mm, size 00	2
PRS KVL-1 1p	001690959	Terminal cover, 1-pole, variable to open, Length 42mm, size 1	2
PRS KVL-3 1p	001690960	Terminal cover, 1-pole, variable to open, Length 42mm, size 3	2
DIN KVL-00 100-150	001690964	DIN rail fixing parts, For mounting on DIN rails, size 00	1
DIN KVL-1 100-150	001690965	DIN rail fixing parts, For mounting on DIN rails, size 1	1