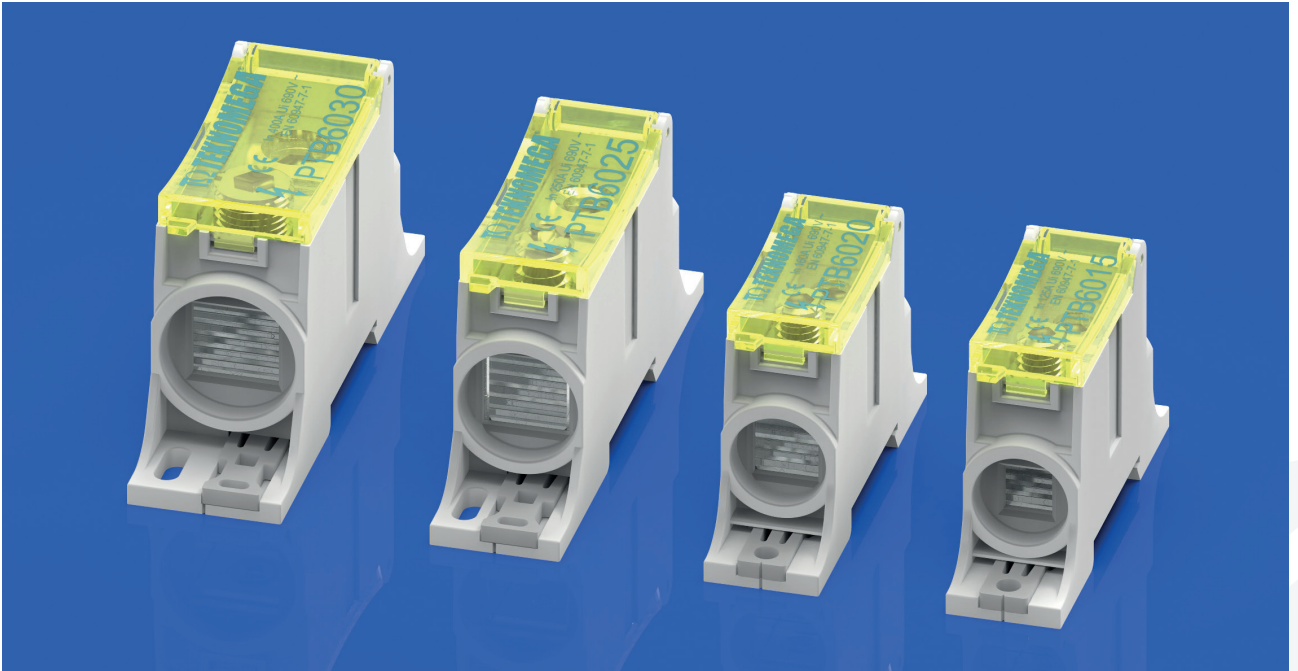


NEW

Ω BLOCK - Power terminal blocks

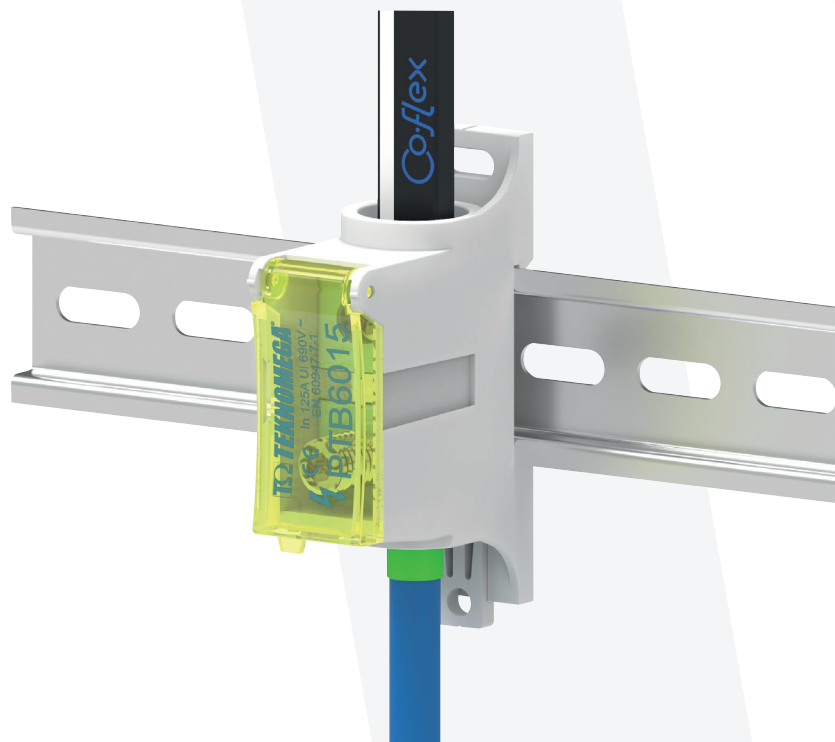


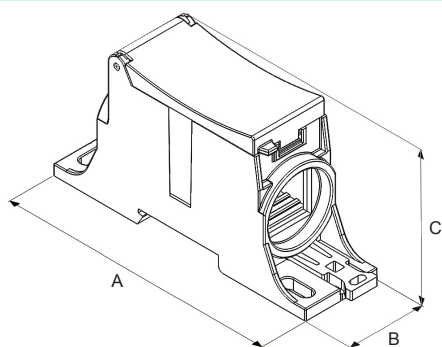
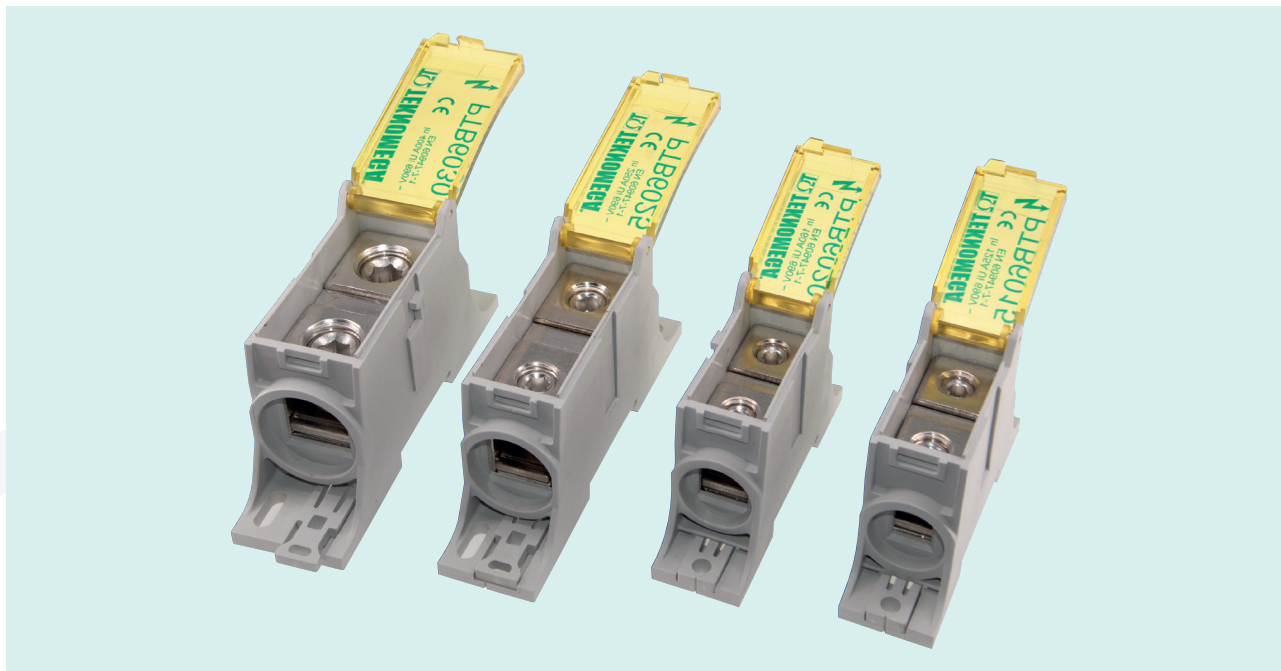
TECHNICAL FEATURES

Self-extinguishing insulating body: PA 6 UL 94-V0
Cover: PC, transparent yellow
Conduction block
- *Tinned copper*
- *Suitable for aluminium and copper cable connections*
Clamps: Tinned steel and Al alloy
Screws: Tinned steel
Protection Index IP20
Compliant with standard EN 60947-7-1

ADVANTAGES

Openable and removable frontal protection cover
Body structure with high dielectric features
Milled clamp for input connections by indirect tightening
Highly reliable connection
Direct connections with COFLEX, COFLEX PLUS
Possibility of connections with J-link and J-link Plus with RPC adapter
Guided access of cables
Easy installation on DIN rails or on panels with screws
Possibility of fixing in adjacent with pre-mounted clip on the insulating structure





POWER TERMINALS 125-160-250-400 A

Code	Reference		Weight (Kg)	A (mm)	B (mm)	C (mm)
PTB6015	PTB 125	1	0,110	84	24	54
PTB6020	PTB 160	1	0,115	84	24	54
PTB6025	PTB 250	1	0,195	111	27	56
PTB6030	PTB 400	1	0,270	111	32	60

TECHNICAL DATA

Code	Type	In (A)	IN/OUT	Recommended COFLEX* L (mm)	Stripped wire (mm ²)	Wire with ferrule (mm ²)	Nr	(Nm)	I _{cw} (kA)	I _{pk} (kA)	U _i (V)
PTB6015	1 pole output 125A	125	IN →	3x9x0,8	25+35	10+35	1	10	7,5	31,6	1000
			← OUT	3x9x0,8	25+35	10+35	1	10			
PTB6020	1 pole output 160A	160	IN →	3x13x0,5	25+70	10+50	1	10	11,2	41	1000
			← OUT	3x13x0,5	25+70	10+50	1	10			
PTB6025	1 pole output 250A	250	IN →	4x15,5x0,8	50+95	35+95	1	14	15,1	43,2	1000
			← OUT	4x15,5x0,8	50+95	35+95	1	14			
PTB6030	1 pole output 400A	400	IN →	6x15,5x0,8	25+185	25+150	1	25	29,6	52,3	1000
			← OUT	6x15,5x0,8	25+185	25+150	1	25			

*See the flexible bar tables COFLEX and COFLEX PLUS