

Small cabinets QL	pag.1
Small cabinets QV	pag.3
Small cabinets QLP	pag.5
Small cabinets QVP	pag.7
Small cabinets QS	pag.9
Small cabinets QM	pag.11
Accessories for small cabinets	pag.13

3. SMALL CABINETS



• INSIDE DOORS



• WALL FIXING LUGS



• DOOR LOCKS

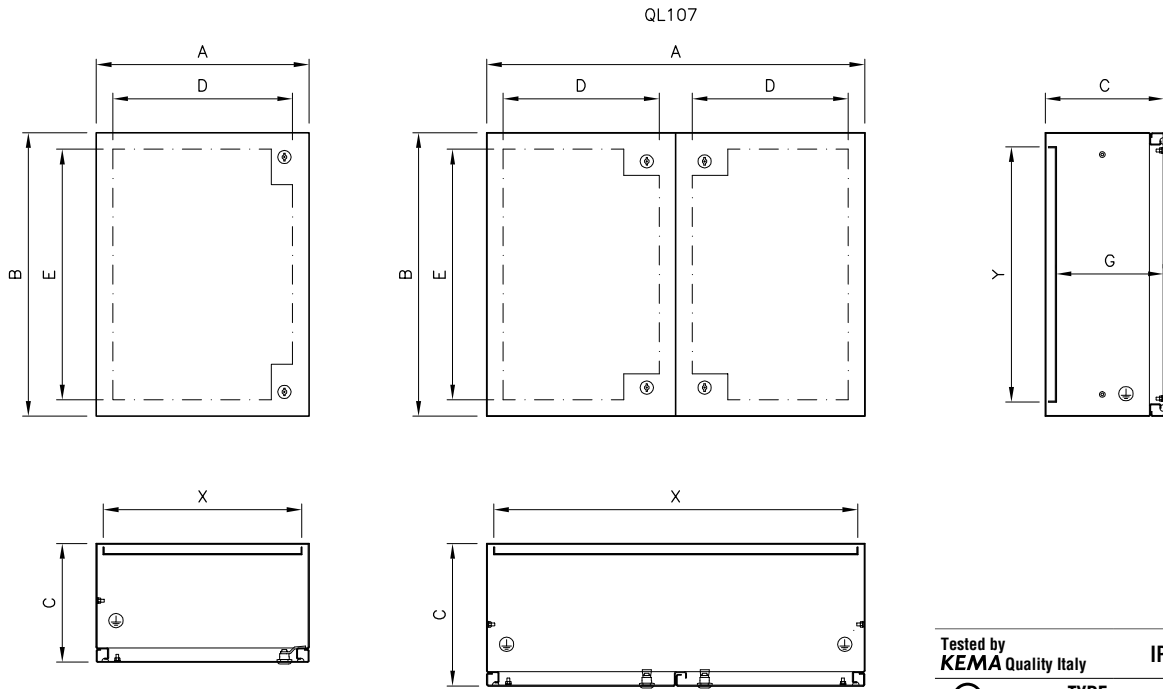


• ANTI-CLOSE DEVICE



SMALL CABINETS QL

- Material: EN 1.4301 (AISI 304) or EN 1.4404 (AISI 316L) s/s, finely satin-finished scotch brite and protected on 1 side.
- Enclosure obtained from a single sheet by multi-bend shaping of the enclosure front edge.
- Fairlead plate not provided.
- Full door.
- Doorlock with twin-comb mapping, standardized type Ø 3 for Low Tension, s/s outside.
- S/s inner hinges, 120° opening according to CEI EN 60204-1 recommendations.
- Maximum weight admissible on the door: 12 kg.
- Seal of foamed polyurethane
- Inner plate of sendzimir EN 10142 galvanized sheet, secured to the bottom of the cabinet by s/s M8 threaded bolts delivered with the cabinet.
- Pre-arranged for earthing as per applicable regulations.
- Protection degree: IP 66 for one-door cabinets; IP65 for two-door cabinets.
- Back: prearranged with four inserts M6 for wall mount system.



Tested by **KEMA Quality Italy** IP66 EN 60 529
 UL US LISTED TYPE NEMA 4X, 4, 12, 1 Standard UL508A - UL50
 FILE N° E237618 Standard 250
 EN 60204-1
 89/392/EEC



Detailed drawings per each cabinet can be downloaded from our site www.ilinox.com

ITEM	inner dimensions			door useful dim.		useful depth	thickness			inner plate	
	A	B	C	D	E	F	material	enclosure	door	X	Y
QL33/304	300	300	180	230	230	160	AISI304	12/10	15/10	270	240
QL34/304	300	450	200	230	380	180	AISI304	12/10	15/10	270	390
QL36/304	300	600	250	230	530	230	AISI304	12/10	15/10	270	540
QL43/304	450	300	200	380	230	180	AISI304	12/10	15/10	420	240
QL44/304	450	450	200	380	380	180	AISI304	12/10	15/10	420	390
QL46/304	450	600	250	380	530	230	AISI304	12/10	15/10	420	540
QL64/304	600	450	250	530	380	230	AISI304	12/10	15/10	570	390
QL66/304	600	600	250	530	530	230	AISI304	12/10	15/10	570	540
QL66P/304	600	600	300	530	530	280	AISI304	12/10	15/10	570	540
QL67/304	600	750	250	530	680	230	AISI304	15/10	20/10	570	690
QL69/304	600	900	250	530	830	230	AISI304	15/10	20/10	570	840
QL77/304	750	750	300	680	680	280	AISI304	15/10	20/10	720	690
QL710/304	750	1000	300	680	930	280	AISI304	15/10	20/10	720	940
QL812/304	800	1200	320	600	1080	300	AISI304	15/10	20/10	770	1140
QL86/304	800	600	300	730	530	280	AISI304	15/10	20/10	770	540
QL106/304	1000	600	300	930	530	280	AISI304	15/10	20/10	970	540
QL107/304	1000	750	300	430	680	280	AISI304	15/10	20/10	970	690
QL33/316	300	300	180	230	230	160	AISI316L	15/10	15/10	270	240
QL34/316	300	450	200	230	380	180	AISI316L	15/10	15/10	270	390
QL36/316	300	600	250	230	530	230	AISI316L	15/10	15/10	270	540
QL43/316	450	300	200	380	230	180	AISI316L	15/10	15/10	420	240
QL44/316	450	450	200	380	380	180	AISI316L	15/10	15/10	420	390
QL46/316	450	600	250	380	530	230	AISI316L	15/10	15/10	420	540
QL64/316	600	450	250	530	380	230	AISI316L	15/10	15/10	570	390
QL66/316	600	600	250	530	530	230	AISI316L	15/10	15/10	570	540
QL67/316	600	750	250	530	680	230	AISI316L	15/10	20/10	570	690
QL69/316	600	900	250	530	830	230	AISI316L	15/10	20/10	570	840
QL77/316	750	750	300	680	680	280	AISI316L	15/10	20/10	720	690
QL710/316	750	1000	300	680	930	280	AISI316L	15/10	20/10	720	940

QL33 - QL34 - QL43 : one only doorlock
 QL812 : three doorlocks

QL107 : two doors without central upright, can be certified UL TYPE 12,
 UL certification to be requested with the order



• RAIN PROTECTIONS



• WALL FIXING LUGS



• GAS-OPERATED SPRINGS

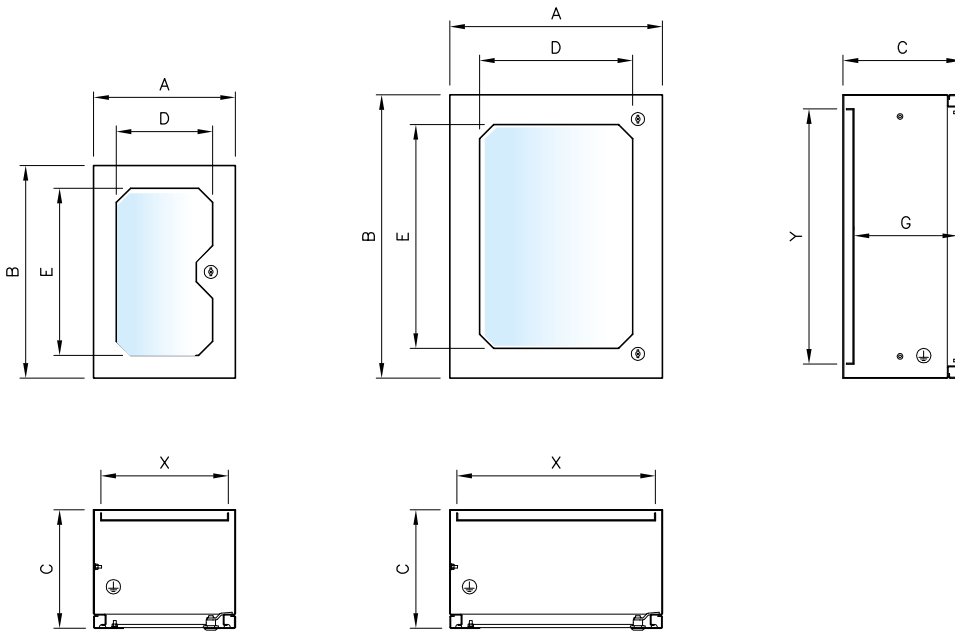


• DOOR LOCKS



SMALL CABINETS QV

- Material: EN 1.4301 (AISI 304) s/s finely satin-finished and protected on one side.
- Enclosure obtained from a single sheet shaped by multi-bending of the envelope front edge.
- Fairlead plate : not provided
- Door with 3+3-layer shatterproof glass (compliant with the applicable accident-prevention regulations).
- * The sight glass is made of polycarbonate for models QV33-QV34-QV43.
- Doorlock: twin-comb, standardized type Ø 3 for Low Tension; outside parts made of s/s.
- Inner hinges made of s/s: 120° opening according to VDI 3231 recommendations.
- Seal of foamed polyurethane
- Inner plate made of sendzimir EN 10142 galvanized sheet, secured to the bottom of the cabinet by s/s threaded pins M8, delivered with the cabinet.
- Pre-arranged for earthing as per applicable rules
- Protection degree: IP66
- Back prearranged with four inserts M6 for wall mount system.



Tested by KEMA Quality Italy	IP66	EN 60 529
UL US LISTED FILE N° E237618	TYPE NEMA 4X, 4, 12, 1	Standard UL508A - UL50 Standard 250 su richiesta
		EN 60204-1 89/392/EEC

Detailed drawings per each cabinet can be downloaded from our site www.ilinox.com

ITEM	outside sizes			door visible		useful depth	thickness			inner plate	
	A	B	C	D	E	F	material	enclosure	door	X	Y
QV33/304	300	300	180	204	204	157	AISI304	12/10	15/10	270	240
QV34/304	300	450	200	204	354	177	AISI304	12/10	15/10	270	390
QV36/304	300	600	250	204	504	227	AISI304	12/10	15/10	270	540
QV43/304	450	300	200	354	204	177	AISI304	12/10	15/10	420	240
QV44/304	450	450	200	324	324	173	AISI304	12/10	15/10	420	390
QV46/304	450	600	250	324	474	223	AISI304	12/10	15/10	420	540
QV64/304	600	450	250	474	324	223	AISI304	12/10	15/10	570	390
QV66/304	600	600	250	474	474	223	AISI304	12/10	15/10	570	540
QV67/304	600	750	250	474	624	223	AISI304	15/10	20/10	570	690
QV69/304	600	900	250	474	774	223	AISI304	15/10	20/10	570	840
QV77/304	750	750	300	624	624	273	AISI304	15/10	20/10	720	690
QV710/304	750	1000	300	624	874	273	AISI304	15/10	20/10	720	940
QV812/304	800	1200	320	650	1075	293	AISI304	15/10	20/10	770	1140
QV33/316	300	300	180	204	204	157	AISI316L	15/10	15/10	270	240
QV34/316	300	450	200	204	354	177	AISI316L	15/10	15/10	270	390
QV36/316	300	600	250	204	504	227	AISI316L	15/10	15/10	270	540
QV43/316	450	300	200	354	204	177	AISI316L	15/10	15/10	420	240
QV44/316	450	450	200	324	324	173	AISI316L	15/10	15/10	420	390
QV46/316	450	600	250	324	474	223	AISI316L	15/10	15/10	420	540
QV64/316	600	450	250	474	324	223	AISI316L	15/10	15/10	570	390
QV66/316	600	600	250	474	474	223	AISI316L	15/10	15/10	570	540
QV67/316	600	750	250	474	624	223	AISI316L	15/10	20/10	570	690
QV69/316	600	900	250	474	774	223	AISI316L	15/10	20/10	570	840
QV77/316	750	750	300	624	624	273	AISI316L	15/10	20/10	720	690
QV710/316	750	1000	300	624	874	273	AISI316L	15/10	20/10	720	940

QV33 - QV34 - QV43 : one central doorlock, portlight made of polycarbonate 3mm thick
 QV812 : three doorlocks
 UL certification to be requested with the order



• SKIRTING



• PEDESTALS



• CABLE GLANDS

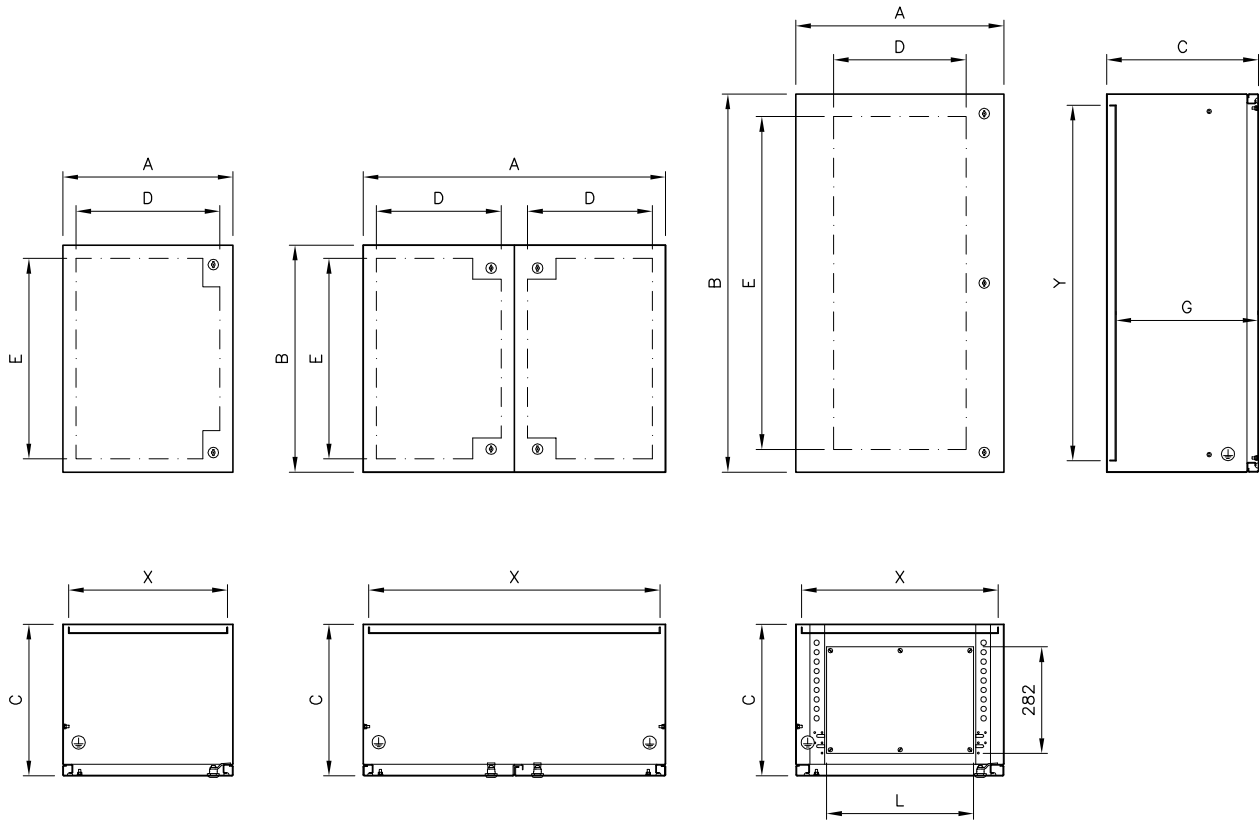


• ANTI-CLOSE DEVICE



SMALL CABINETS QLP

- Material: EN 1.4301 (AISI 304) s/s, satin-finished scotch brite and protected on one side.
- Enclosure obtained from a single sheet, shaped by multi-bending of the envelope front edge.
- Fairlead plate with seal (only for cabinets h1200 - h1600).
- Reversible full door
- Doorlock: twin-comb type standardized type, Ø 3 for Low Tension, s/s outside.
- S/s inner hinges: 120° opening as per CEI EN 60204-1 recommendations.
- * Maximum weight admitted on the door: 12 kg
- Seals of foamed polyurethane
- Inner plate made of sendzimir EN 10142 galvanized sheet secured to the bottom of the enclosure by M8 threaded pins delivered with the plate (except for cabinets QLP616-QLP816-QLP168 where the inner plate is set on rails hence adjustable on the depth)
- Pre-arrangement for earthing as per applicable rules
- Protection degree IP66 for one-door cabinets, IP 65 for two-door cabinets
- Back: prearranged with four inserts H6 for wall mount system (except for items QLP H or W 1600)



Tested by **KEMA Quality Italy** IP66 EN 60 529
 UL US LISTED FILE N° E237618 TYPE NEMA 4X, 4, 12, 1 Standard UL508A - UL50 Standard 250 su richiesta
 CE EN 60204-1 89/392/EEC

Detailed drawings per each cabinet can be downloaded from our site www.ilinox.com

ITEM.	outside sizes			door useful dimens.		usefull depth	cable passage	thickness			Inner plate	
	A	B	C	D	E	G	L	material	eclosure	door	X	Y
QLP46	450	600	400	380	530	380	-	AISI304	15/10	15/10	420	540
QLP66	600	600	400	530	530	380	-	AISI304	15/10	15/10	570	540
QLP68	600	800	400	530	730	380	-	AISI304	15/10	20/10	570	740
QLP612	600	1200	400	500	1080	380	422	AISI304	15/10	20/10	570	1140
QLP616	605	1600	400	500	1480	372	422	AISI304	15/10	20/10	522	1522
QLP812	800	1200	400	600	1080	380	622	AISI304	15/10	20/10	770	1140
QLP814	800	1400	400	600	1280	380	622	AISI304	15/10	20/10	770	1340
QLP816	508	1600	400	600	1480	372	622	AISI304	15/10	20/10	722	1522
QLP128	1203	800	400	500	730	380		AISI304	15/10	20/10	1170	740
QLP168	1603	800	400	690	710	372		AISI304	15/10	20/10	1522	722

QLP612 : three doorlocks, fairlead plate
 QLP616 - QLP 816 : three doorlocks, fairlead plate, hoisting eyebolts, inner plate adjustable on the depth
 QLP128 - QLP168 : two doors without central upright, can be certified UL TYPE 12,
 UL certification to be requested with the order



• ELECTROCONDUCTIVE GASKET



• DOOR LOCKS



• ANTI-CLOSE DEVICE



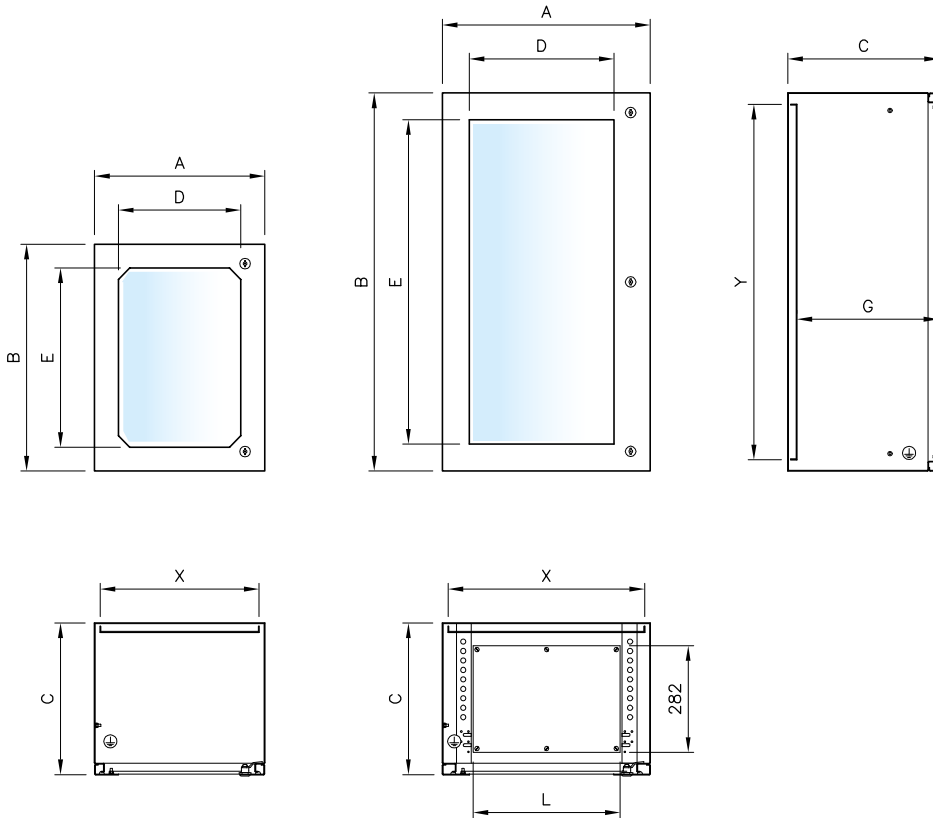
• ADJUSTABLE FEET



SMALL CABINETS QVP

Material: EN 1.4301 (AISI 304) s/s finely satin-finished and protected on one side.

- Enclosure obtained from a single sheet, shaped by multi-bending of the envelope front edge.
- Fairlead plate: with seal (only for cabinets H.1200 and H.1600)
- Reversible door with 3+3 shatterproof laminated glass (in compliance with the applicable accident prevention regulations).
- Door lock: twin-comb type, standardized type Ø 3 for Low Tension, with s/s outside.
- S/s inner hinges, 120° opening as per CEI EN 60204-1 recommendations
- Seals of foamed polyurethane
- Inner plate of sendzimir EN 10142 galvanized sheet secured to the bottom of the enclosure by threaded pins M8 except for cabinets QLP616-QLP816 where the inner plate is set on guides hence adjustable on the depth.
- Pre-arranged for earthing as per applicable regulations
- Protection degree IP66
- Back: prearranged with four inserts H6 for wall mount (except for cabinets H=1600)



Tested by KEMA Quality Italy	IP66	EN 60 529
UL US LISTED FILE N° E237618	TYPE NEMA 4X, 4, 12, 1	Standard UL508A - UL50 Standard 250 su richiesta
		EN 60204-1 89/392/EEC

Detailed drawings per each cabinet can be downloaded from our site www.ilinox.com

ITEM	outside diameter			door visible		useful depth	cable way	thickness			inner plate	
	A	B	C	D	E	G	L	material	enclosure	door	X	Y
QVP46	450	600	400	380	530	380	-	AISI304	15/10	15/10	420	540
QVP66	600	600	400	530	530	380	-	AISI304	15/10	15/10	570	540
QVP68	600	800	400	530	730	380	-	AISI304	15/10	20/10	570	740
QVP612	600	1200	400	500	1080	380	422	AISI304	15/10	20/10	570	1140
QVP616	605	1600	400	500	1480	372	422	AISI304	15/10	20/10	522	1522
QVP812	800	1200	400	600	1080	380	622	AISI304	15/10	20/10	770	1140
QVP816	805	1600	400	600	1480	372	622	AISI304	15/10	20/10	722	1522

QVP612 : three doorlocks, fairlead plate
 QVP616 - QVP 816 : three doorlocks, fairlead plate, hoisting eyebolts, inner plate adjustable on the depth
UL certification to be requested with the order



• RAIN PROTECTIONS



• DOOR LOCKS



• WALL FIXING LUGS

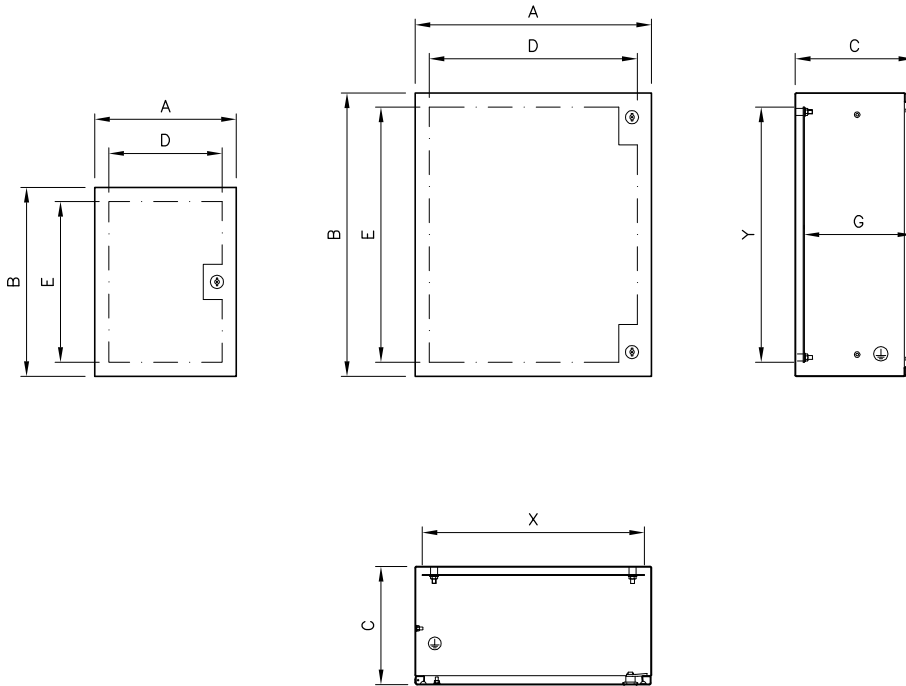


• HANDLE GRIP



SMALL CABINETS QS

- Material: En 1.4301 (AISI 304) s/s finely satin-finished and protected on one side.
- * Enclosure obtained from one single sheet, shaped to obtain the seal labyrinth between enclosure and door.
- Inside: threaded pins M8 to fix the plate and its rest.
- Full door.
- Twin-comb locks of the standardized type $\varnothing 3$ for Low Voltage, chromium plated.
- S/s inner hinges, 120° opening according to CEI EN 60204-1 recommendations
- Maximum load admitted on the door: 8 kg.
- Seal of foamed polyurethane.
- Inner plate of EN 10142 sendzimir galvanized sheet secured to the bottom of the container by M8 threaded pins delivered with the cabinet.
- Prearranged for earthing according to the regulations in force.
- * Protection degree IP66
- Back: prearranged with four inserts H6 for wall mount



Detailed drawings per each cabinet can be downloaded from our site www.ilinox.com

	IP66 IK10	EN 60 529/97-05
		EN 50 102/96-05
		EN 60204-1
		89/392/EEC

ART.	outside sizes			door useful dim.		useful depth	material	thickness		inner plate	
	A	B	C	D	E	G		enclosure	door	X	Y
QS034	300	400	200	240	340	160	AISI304	12/10	15/10	270	340
QS045	400	500	200	340	440	180	AISI304	12/10	15/10	370	440
QS056	500	600	250	440	540	230	AISI304	12/10	15/10	470	540
QS068	600	800	250	540	740	180	AISI304	12/10	15/10	570	740
QS069	600	900	300	540	840	180	AISI304	12/10	15/10	570	840

NOTES: QS034 : one only central doorlock



• RAIN PROTECTIONS



• DOOR LOCKS



• WALL FIXING LUGS

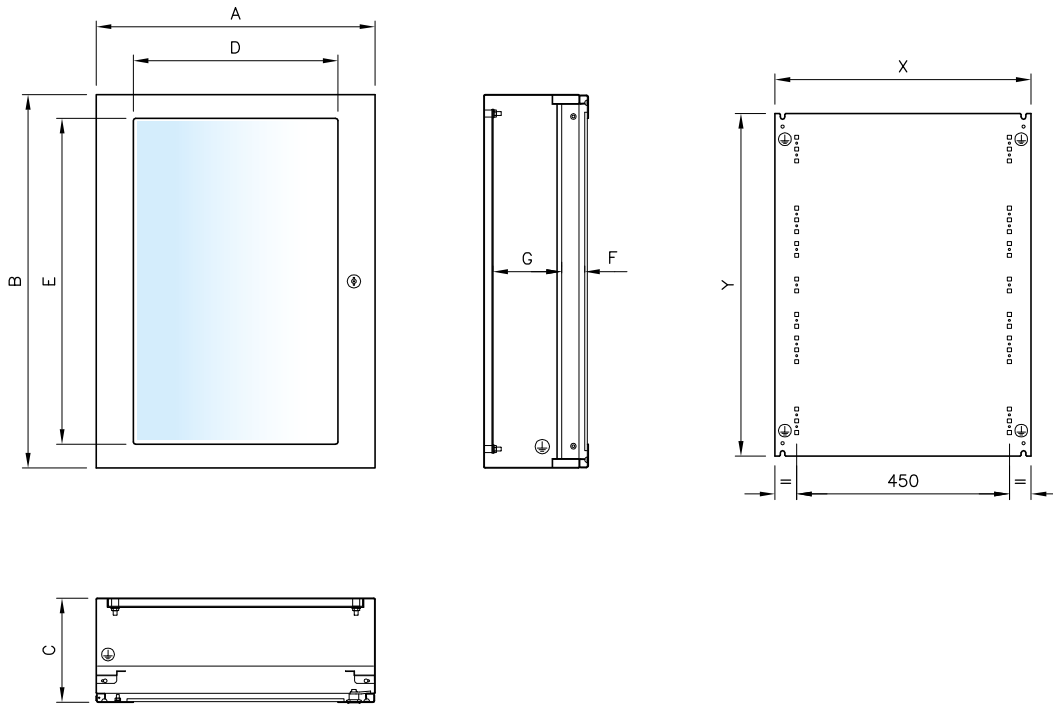


• PANELS



SMAL CABINETS QM

- The new QM series is designed to accommodate modular equipment.
- Made of En 1.4301 (AISI 304) s/s finely satin finished and protected on 1 side.
- Special attention was paid, in the design stage, to the details permitting to streamline and speed up wiring, without disregarding aesthetic, which has always been the hallmark of our work.
- The enclosure is obtained from a sheet suitably shaped on the front side to obtain the “seal labyrinth” between enclosure and door.
- The door, press-forged, features 3+3 shatterproof laminated glass to meet safety and long lasting unalterability requirements
- Single central lock, twin-comb type, standardized Ø 3 for Low Voltage. Chromium-plated with attachment for 3-point lock, starting from model QM096.
- Inner hinges, s/s, 120° opening according to CEI EN 60204-1 recommendations .
- Seal of foamed polyurethane.
- Inner plate of sendzimir galvanized sheet, pre-drilled for DIN guides assembling. The assembling of guides and the relevant modular switches can be done in the factory to facilitate introduction of the pre-assembled frame into the cabinet. The modular panels are secured to two pre-drilled side uprights fixed to the enclosure.
- Fairlead plate not included.
- Prearranged for earthing according to the regulations in force.
- Protection degree : IP66 with closed door, IP20 with open door.
- Back: prearranged with four M6 inserts for wall mount



**IP56
IK10**

EN 60 529/97-05
EN 50 102/96-05



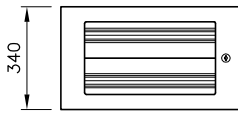
EN 60204-1
89/392/EEC

Detailed drawings per each cabinet can be downloaded from our site www.ilinox.com

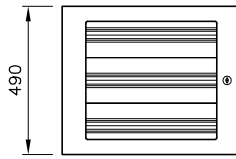
ITEM	outside sizes			door visible dim.		glass/panel gap F	useful depth G	thickness			inner plate	
	A	B	C	D	E			material	enclosure	door	X	Y
QM048	590	340	220	433	240	48	145	AISI304	12/10	15/10	542	275
QM072	590	490	220	433	390	48	145	AISI304	12/10	15/10	542	425
QM096	590	640	220	433	540	48	145	AISI304	12/10	15/10	542	575
QM120	590	790	220	433	690	48	145	AISI304	12/10	15/10	542	725
QM144	590	940	220	433	840	48	145	AISI304	12/10	15/10	542	875
QM168	590	1090	220	433	990	48	145	AISI304	12/10	15/10	542	1025



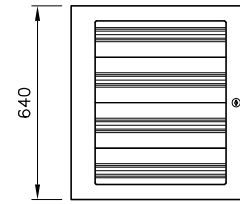
EQUIPMENT FOR MODULAR SWITCHES



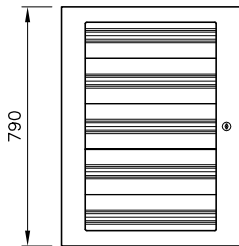
QM048
N. 48 MODULES (2 PQM150F)



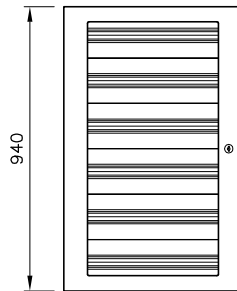
QM072
N. 72 MODULES (3 PQM150F)



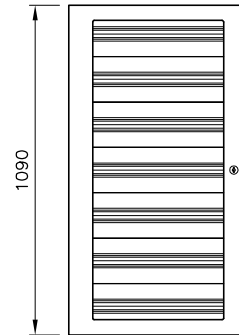
QM096
N. 72 MODULES (3 PQM200F)
N. 96 MODULI (4 PQM150F)



QM120
N. 96 MODULES (1 PQM150F + 3 PQM200F)
N. 120 MODULES (5 PQM150F)



QM144
N. 120 MODULES (2 PQM150F + 3 PQM200F)
N. 144 MODULES (6 PQM150F)



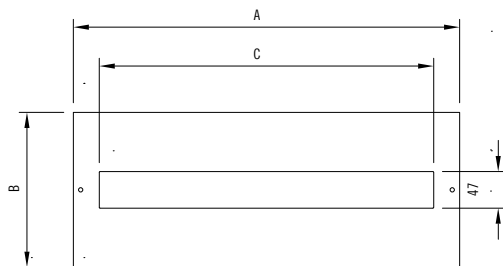
QM168
N. 144 MODULES (3 PQM150F + 3 PQM200F)
N. 168 MODULES (7 PQM150F)



PANELS

EN 1.4301 (Aisi 304) s/s execution, finely satin-finished, to be bolted to the cabinet frame. Available in two different heights, 150 and 200mm, either pre-drilled or full; the latter can be drilled to drawing on demand. They can accommodate no. 24 modules each plate and are spaced 50mm from the glazed door.

- **PQM150F** – drilled panel for 24 modules H 150 mm.
- **PQM150C** - full panel H 150 mm.
- **PQM200F** - drilled panel for 24 modules H 200 mm.
- **PQM200C** – full panel H 200 mm.



ITEM	SIZES PANELS			N. MODULES FOR PANEL
	A	B	C	
PQM150F	499	149	432	24
PQM150C	499	149		CIECO-BLIND
PQM200F	499	149	432	24
PQM200C	499	149		CIECO-BLIND

DIN BARS

Obtained from extruded aluminium, they come complete with brackets of galvanized steel. Not included in the panels, they must be ordered separately.

- **DINQM24** – DIN bar, complete with brackets





INNER DOORS

Delivered in assembling kit, to fix equipment inside the small cabinets in a protected and locked area, they can be installed on all the small cabinets of the one-door Q series

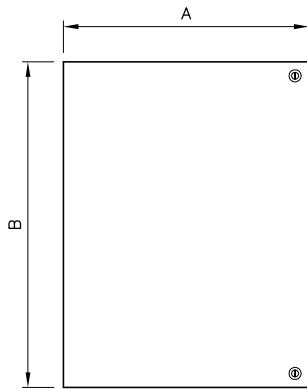
EN 1.4301- (AISI 304) s/s execution, finely satin-finished and protected by PVC adhesive film, thickness 12/10 and 15/10.

The inner door can be hinged on either the right or the left side. The standard supply includes chromium-plated indented locks. Instruments up to a maximum total weight of 12 kg can be set on the inner doors.

* The gap between door and inner door is 45 cm.

* Protection degree IP 20.

* Drilling to drawing is possible on demand.



ITEM	SIZES		FOR SMALL CABINETS
	A	B	D
QC033/304	256	238	QL-QV33
QC034/304	256	388	QL-QV34
QC036/304	256	538	QL-QV36
QC043/304	406	238	QL-QV43
QC044/304	406	388	QL-QV44
QC046/304	406	538	QL-QV-QLP-QVP46
QC064/304	556	388	QL-QV64
QC066/304	556	538	QL-QV-QLP-QVP66
QC067/304	556	688	QL-QV67
QC068/304	556	738	QLP-QVP68
QC069/304	556	838	QL-QV69
QC077/304	706	688	QL-QV77
QC710/304	706	938	QL-QV710
QC612/304	556	1138	QLP-QVP612
QC812/304	756	1138	QL-QV-QLP-QVP812
QC616/304	552	1513	QLP-QVP616
QC816/304	752	1513	QLP-QVP816

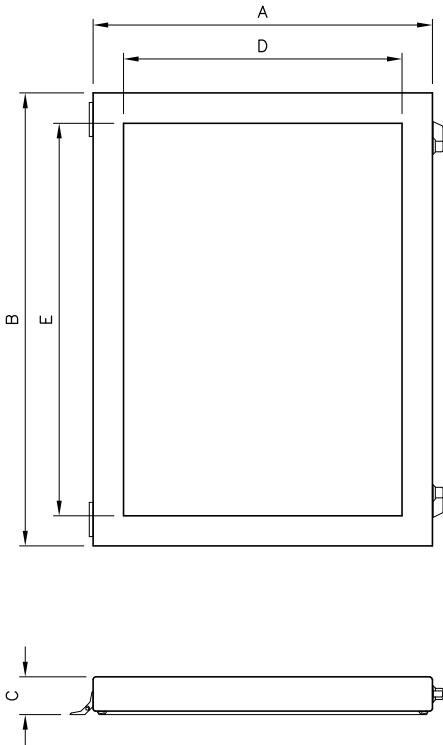
Not to be used on small cabinets series QS and series QM



OVERDOORS

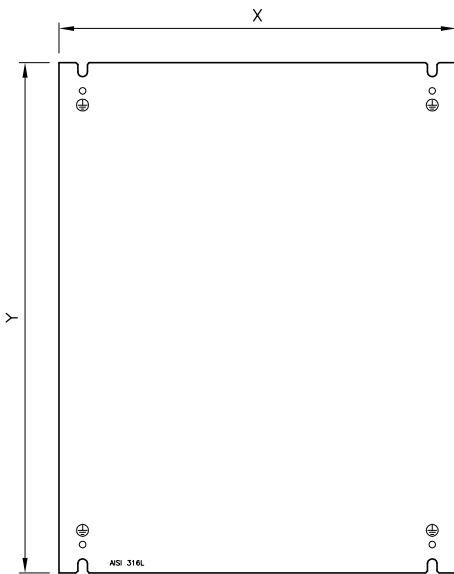
Made of EN 1.4301 (AISI 304) s/s, finely satin- finished, with 3+3 shatterproof laminated window, they are particularly recommended when instruments set on the outside door have to be protected. Complete with wing-nut black lock, galvanized, with Yale type key and built-in seal; 180° opening. Protection degree IP65.

NOTE: when set on width exceeding the width of the overdoor itself, the max. opening is 90°.



ITEM	A	B	C	D	E
SV33/45	300	300	45	220	220
SV34/45	300	450	45	220	370
SV36/45	300	600	45	220	520
SV43/45	450	300	45	370	220
SV44/45	450	450	45	370	370
SV46/45	450	600	45	370	520
SV64/45	600	450	45	520	370
SV66/45	600	600	45	520	520
SV67/45	600	750	45	520	670
SV68/45	600	800	45	520	720
SV69/45	600	900	45	520	820
SV612/45	600	1200	45	520	1120
SV77/45	750	750	45	670	670
SV710/45	750	1000	45	670	920
SV86/45	800	600	45	720	520
SV812/45	800	1200	45	720	1120
SV106/45	1000	750	45	920	670

ITEM	A	B	C	D	E
SV33/75	300	300	75	220	220
SV34/75	300	450	75	220	370
SV36/75	300	600	75	220	520
SV43/75	450	300	75	370	220
SV44/75	450	450	75	370	370
SV46/75	450	600	75	370	520
SV64/75	600	450	75	520	370
SV66/75	600	600	75	520	520
SV67/75	600	750	75	520	670
SV68/75	600	800	75	520	720
SV69/75	600	900	75	520	820
SV612/75	600	1200	75	520	1120
SV77/75	750	750	75	670	670
SV710/75	750	1000	75	670	920
SV86/75	800	600	75	720	520
SV812/75	800	1200	75	720	1120
SV106/75	1000	750	75	920	670



S/S INNER PLATES

EN 1.4404 (AISI 316L) s/s execution, 2B finishing; available for all the cabinets of the QL/QV series; delivered in assembling kit (replacement at customer's charge)

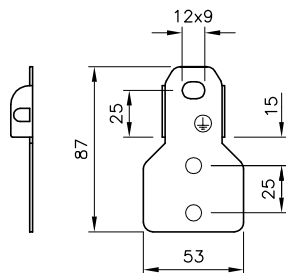
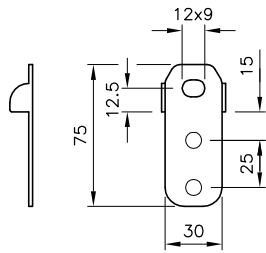
ITEM	sizes		FOR CABINETS D
	X	Y	
PQ033I	240	240	QL-QV33
PQ034I	240	390	QL-QV34
PQ036I	240	540	QL-QV36
PQ043I	390	240	QL-QV43
PQ044I	390	390	QL-QV44
PQ046I	390	540	QL-QV-QLP-QVP46
PQ064I	540	390	QL-QV64
PQ066I	540	540	QL-QV-QLP-QVP66
PQ067I	540	690	QL-QV67
PQ069I	540	840	QL-QV69
PQ077I	690	690	QL-QV77
PQ710I	690	940	QL-QV710
PQ812I	740	1140	812710
PQ107I	940	690	QL107



RAIN PROTECTIONS

EN 1.4301 (AISI 304) s/s execution, fine satin-finished and protected, they are available for all the cabinets. Recommended when the cabinets are envisaged to be installed outdoors and weather protection is therefore required. They protrude 25mm from the front door and come in assembling kit.

ITEM	FOR CABINETS D
TP933	QL/QV33
TP934	QL/QV34 - QS034
TP936	QL/QV36
TP944	QL/QV43-44
TP945	QS045
TP946	QL/QV46
TP956	QS056
TP960	QL/QV64-66-67-69 - QS68
TP966	QL66P - QS069
TP977	QL/QV77-710
TP980	QL/QV812
TP946P	QLP/QVP46
TP960P	QLP/QVP66-68-612
TP980P	QLP/QVP812
TP9616P	QLP/QVP616
TP9816P	QLP/QVP816



WALL FIXING LUGS

EN 1.4404 (AISI 316L) s/s execution, they are easily set to the back of the cabinets of the “Q” series by the prearranged threaded drill. For assembling on big-sized enclosures, a second drill is foreseen at customer’s charge.

Waterproofing is assured by special seals.

Each kit comes complete with assembling instructions, screws, nuts and washers

- **SP025** – wall mount kit, 4 pcs.

EN 1.4404 (AISI 316L) s/s execution, they have the same features as fasteners code SP025 but features a wider rest surface which allow them to be welded to the enclosure without using clamping screws (e.g. to secure the top of cabinets of the CC or CX-A series).

Prearranged for securing an earth cable.

- **SP035** – wall mount kit, 4 pcs.



DOOR LOCKS

Various types of optional locks are available for all types of cabinets, all of them completely interchangeable with the standard ones, either with low tension key or Yale type key.

ITEM	TYPE	EXTERNAL	MATERIAL INSERT	LONGUE
SG215S(**)	Box lock twin-comb insert	AISI 304 S/S	AISI 304 S/S	Zinc plated
SG221I	“T” handle key EK333	Black polyamides	AISI 304 s/s	AISI 304 s/s
SG226I	Wing nut lock key EK333	Black polyamides	AISI 304 s/s	AISI 304 s/s
SG227I	“L” handle key EK333	Black polyamides	AISI 304 s/s	AISI 304 s/s

(*) Key EK333 Yale type is supplied with the lock. Different key coding can be provided on request

(**) Lock item SG215S is supplied without key

Optional key to be ordered separately: item SG205CG (not in s/s)
To have also the tongue in AISI 304 s/s please ask for item KITSG215



GAS-OPERATED SPRINGS

The gas-operated springs are designed to open the doors upwards (seagull-wings); they facilitate opening and feature a braking device on top of the wing, reaching a balanced position when the door is open.

Different capacities are available to meet the specific requirements. When ordering the springs, the weight and position of instruments and/or equipment, if any, should be mentioned so that the spring best suiting your requirements can be determined.

- **SA910** gas-operated spring 10 Kg (including assembling)
- **SA915** gas-operated spring 15 Kg (including assembling)
- **SA920** gas-operated spring 20 Kg (including assembling)
- **SA930** gas-operated spring 30 Kg (including assembling)
- **SA940** gas-operated spring 40 Kg (Including assembling)
- **SA950** gas-operated spring 50 Kg (including assembling)



COUNTER-WEIGHTED SUPPORT RODS

The counter-weighted support rods can be applied to all types of cabinets when the door needs to be opened upwards (seagull-wing). Handy and safe, they reach the right position automatically at opening, so as to keep the door open. Can be assembled on the right or the left side. Starting from the size 600x600 up, the use of 2 rods is recommended, one on the right side and one on the left side.

- **ASQLVDX** support rod DX for QL/QV/QLP/QVP
- **ASQLVSX** support rod SX for QL/QV/QLP/QVP
- **ASQSMDX** support rod DX for QS/QM
- **ASQSMSX** support rod SX for QS/QM

NOTA: for big-sized doors and weight exceeding 12 kg, the use of the gas-operated springs is recommended.



ANTI-CLOSE DEVICE

EN 1.431 (AISI 304) s/s EXECUTION, recommended to prevent the door accidental closing.

Not suitable for cabinet with upwards opening door (seagull-wing).

- **DAC01** Delivered in assembling kit



GRIP HANDLES

Made of AISI 304 s/s rod, polished; recommended when the cabinet is used as a control box.

They come in assembling kit and two versions are available:

- **MNB200** - fastening distance between centres (l) 200 mm
- **MNB300** - fastening distance between centres (l) 300 mm
- **MNK300** - fastening distance between centres 275 mm.
- **MNK350** - fastening distance between centres 325 mm.
- **MNK450** - fastening distance between centres 425 mm.
- **MNK500** - fastening distance between centres 475 mm.

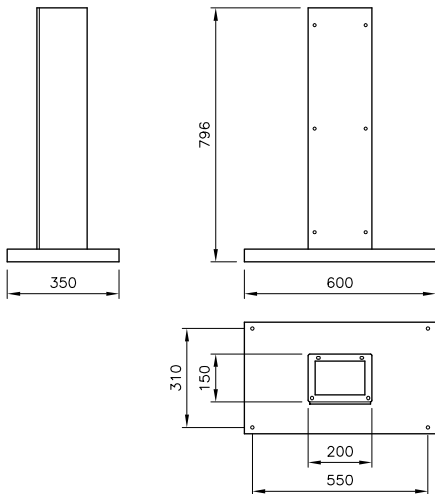
HANDLE GRIP MNB

HANDLE GRIP MNK



PEDESTALS

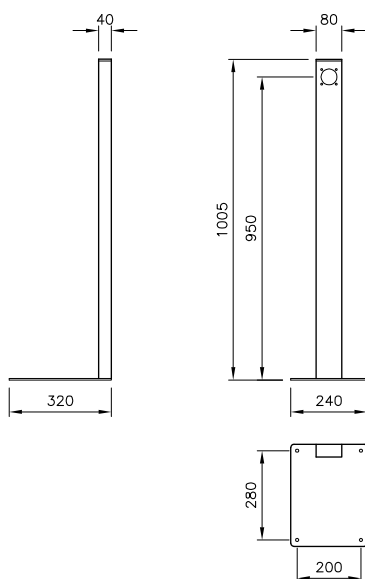
Ideal for use either as simple stand or cable way, they are made of EN 1.4301 (AISI 304) s/s and available in two versions.



PEDESTAL SERIES PR200

Satin-finished, suitable for application under cabinets having a minimum depth of 250 mm; it consists of a C-shaped bent column, complete with bolted cover with gasket to assure inspectability. Complete with sendzimir inner plate. Protection degree IP65. A sendzimir counterplate is also available to firmly secure the modular cabinets to the top of the column (for cabinets starting from L.600). These counterplates have to be ordered expressly, using the following codes:

- **PPRQ6025** counterplate for cabinets QL/QV64-66-67-69
- **PPRQ7530** counterplate for cabinets QL/QV77-710



PEDESTAL PR100

Used for pushbutton-boards and cabinets with minimum depth 125 mm, it consists of s/s channel, micropeened, not inspectable, and a predrilled plate for ground fixing.



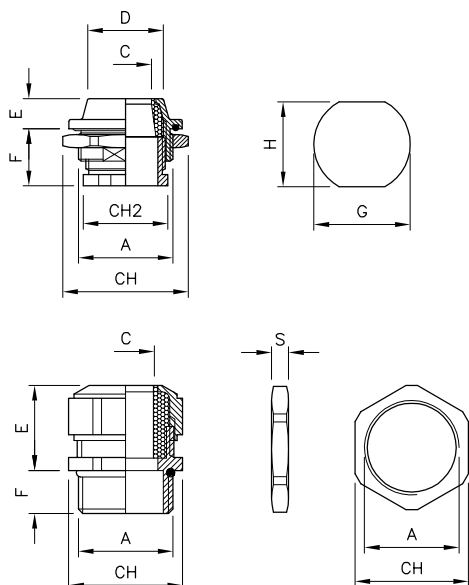
CABLE GLANDS

The cable glands, s/s execution, are to be used to prevent corrosion. This series, manufactured to UNI EN 1.4305 (AISI 303), is particularly fit for use in wet environment and in dry/wet conditions.

The FPM seal creates a barrier to the radioactive radiance of up to 2,5x10⁵ Gray, and assures excellent strength to cable pulling.

- Protection degree IP68 to EN 60 529 and IP69K to DIN 40 050-T9.
- Temperature range: -40°C +200°C, intermittent up to 240°C.
- EMC version available on demand.

These cable glands are delivered without ring nut, which must be ordered separately when the need be.



CABLE GLAND PG

ART.	threading	cable diameter C	key		
	A		CH	E	F
PG07303	PG7	5 ÷ 6,5	17	17	10
PG09303	PG9	8 ÷ 10,5	19	20	10
PG11303	PG11	8,5 ÷ 12	22	21	10
PG13303	PG13	11 ÷ 15	24	21	10
PG16303	PG16	11 ÷ 15	24	21	10
PG21303	PG21	16 ÷ 20,5	30	25	12
PG29303	PG29	23 ÷ 27,5	41	28	12
PG36303	PG36	30,5 ÷ 35	50	32	15

RING NUT PG

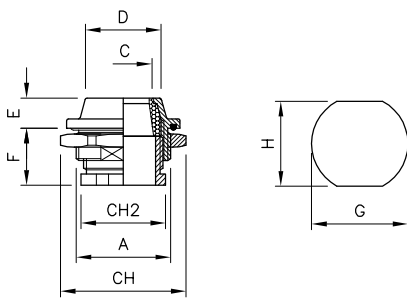
ART.	threading A	key	
		CH	S
GPG07303	PG7	15	3,5
GPG09303	PG9	19	3,5
GPG11303	PG11	22	3,5
GPG13303	PG13	24	4
GPG16303	PG16	27	4
GPG21303	PG21	32	4,5
GPG29303	PG29	41	5,5
GPG36303	PG36	51	6

METRIC CABLE GLAND

ART.	threading A	cable diameter C	key		
			CH	E	F
PM12303/3.5-5.0	M12x1,5	3,5 ÷ 5	17	17	10
PM12303/5.0-6.5	M12x1,5	5 ÷ 6,5	17	17	10
PM12303/6.5-8.0	M12x1,5	6,5 ÷ 8	17	17	10
PM16303/6.0-10.5	M16x1,5	6 ÷ 10,5	19	20	10
PM20303/6.0-15.0	M20x1,5	8 ÷ 15	24	21	10
PM25303/12.5-20.5	M25x1,5	12,5 ÷ 20,5	30	25	11
PM32303/17.0-25.5	M32x1,5	17 ÷ 25,5	36	28	13
PM40303/24.0-33.0	M40x1,5	24 ÷ 33	46	31	13

METRIC RING NUT

ART.	threading A	key	
		CH	S
GPM12303	M12x1,5	17	3
GPM16303	M16x1,5	19	3
GPM20303	M20x1,5	24	3,5
GPM25303	M25x1,5	30	3,5
GPM32303	M32x1,5	36	4,5
GPM40303	M40x1,5	46	4,5



METRIC CABLE GLANDS “SANITARY”

The sanitary metric cable glands series PH meet the conditions required for use in food, dairy, pharmaceutical industries, as well as for all those environments where compliance with the health and sanitary regulations is a must (Directive on machinery 2006/42/EC DIN EN 1672-2-2005, Documents EHEDG 8 E 13). This is due to the technical solutions adopted and to the design: 25° sloping surfaces to avoid filth deposit, radial corners, no threads, recesses, slits, gaps in contact with the outside environment; tamper-proof as they cannot be opened from the outside.

Delivered complete with OR, standard seal on the cable and ring nut. EN 1.4301 (AISI 304) polished execution; the EPDM gasket is fit for use in the environment for which the cable gland has been designed: gaskets made of other materials can however be supplied on demand.

These cable glands come complete with ring nuts.

- Protection degree IP68 to EN 60 529 and IP69K to DIN 40 050-T9.
- Temperature range: -40°C + 120°C, intermittent up to 140°C.
- EMC version also available on demand.

ITEM	threading	cable glands	key					drilling	
	A		C	CH	CH2	D	E	F	G
PH12303	M12x0,75	2 ÷ 5	15	9	17	6	9,5 ÷ 14,5	12,5	11
PH16303	M16x0,75	2 ÷ 9	19	12	21	7	10,5 ÷ 17,5	16,5	14,5
PH20303	M20x0,75	3 ÷ 12	24	17	25	8	11,5 ÷ 19,5	20,5	18
PH25303	M25x0,75	4 ÷ 16	30	21	30	8	11,5 ÷ 19,5	25,5	22,5
PH32303	M32x0,75	9 ÷ 23	36	28	38	11	16,5 ÷ 28,5	32,5	28,5
PH40303	M40x1,5	16 ÷ 29	46	35	46	14	19 ÷ 33	40,5	35,5
PH50303	M50x1,5	26 ÷ 38	60	45	56	16	21 ÷ 37	50,5	44,5
PH63303	M63x1,5	32 ÷ 49	70	56	70	18	24 ÷ 42	63,5	56



PLUGS

EN 1.4404 (AISI 316L) s/s execution, to close holes previously made and not used. With only 4 items, using the appropriate centring washers, all the drills ranging between Ø 6,5 and Ø 40 mm. can be covered, including shaped drills for the cable glands of the “SANITARY” series.



ITEM	Ø	RANGE GLANDS	
		FOR DRILLS	FOR CABLE GLANDS
TP0716	20	6,5 ÷ 16	PG7 - PG9 - M12 - M16
TP1624	28	16,5 ÷ 24	PG11 - PG13,5 - PG16 - M20
TP2431	35	24,5 ÷ 31	PG21 - M25
TP3140	45	31,5 ÷ 40	PG29 - M32 - M 40



IMS SYSTEM



SRS WIRING SYSTEM



ADJUSTABLE FEET



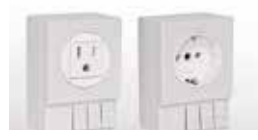
DIAGRAM HOLDING POCKETS



ELECTRODUCTIVE SEAL



LAMPS



TAPS

in the section “CONTROL BOXES AND HANGING SYSTEMS”



HANGING SYSTEMS

in the section “AIR CONDITIONING”



AIR CONDITIONING



VENTILATION