

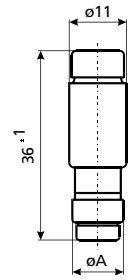
Fuse-link D0

Technical data

Rated voltage U_n	400 Va.c., 250 Vd.c.
Rated current I_n	D01 2 - 16 A, D02 20 - 63 A, D03 80 - 100 A
Breaking capacity at $1,1 U_n$	50 kA a.c. $\cos \phi = 0,1$ 8 kA d.c. $T = 15$ ms
Fusing characteristics	gG
Standards	DIN EN 60269-1, IEC 60269-1:2005-04 (VDE 0636 Teil 10): 1999-11 DIN EN 60269-3, IEC 60269-3:2003 (VDE 0636 Teil 30): 1995-12 DIN EN 60269-3-1, IEC 60269-3-1: 2004-07 (VDE 0636 Teil 301): 1998-01 DIN VDE 0635/02.84

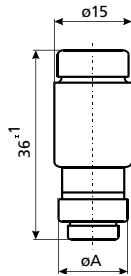
D01 gG for fuse base E 14

I_n [A]	dimension $\varnothing A$
2	7,3
4	7,3
6	7,3
10	8,5
13	8,5
16	9,7



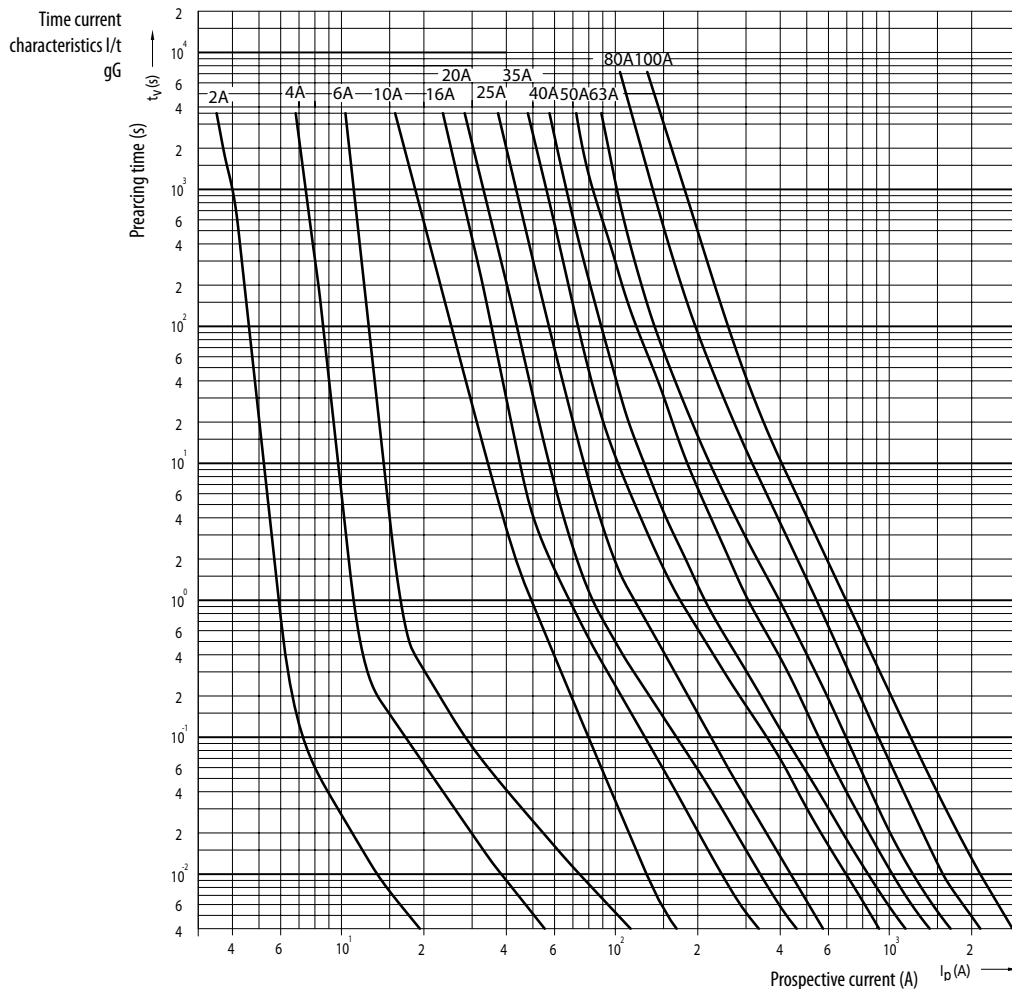
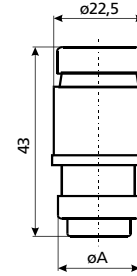
D02 gG for fuse base E 18

I_n [A]	dimension $\varnothing A$
20	10,9
25	12,1
32	13,3
35	13,3
40	13,3
50	14,5
63	15,9

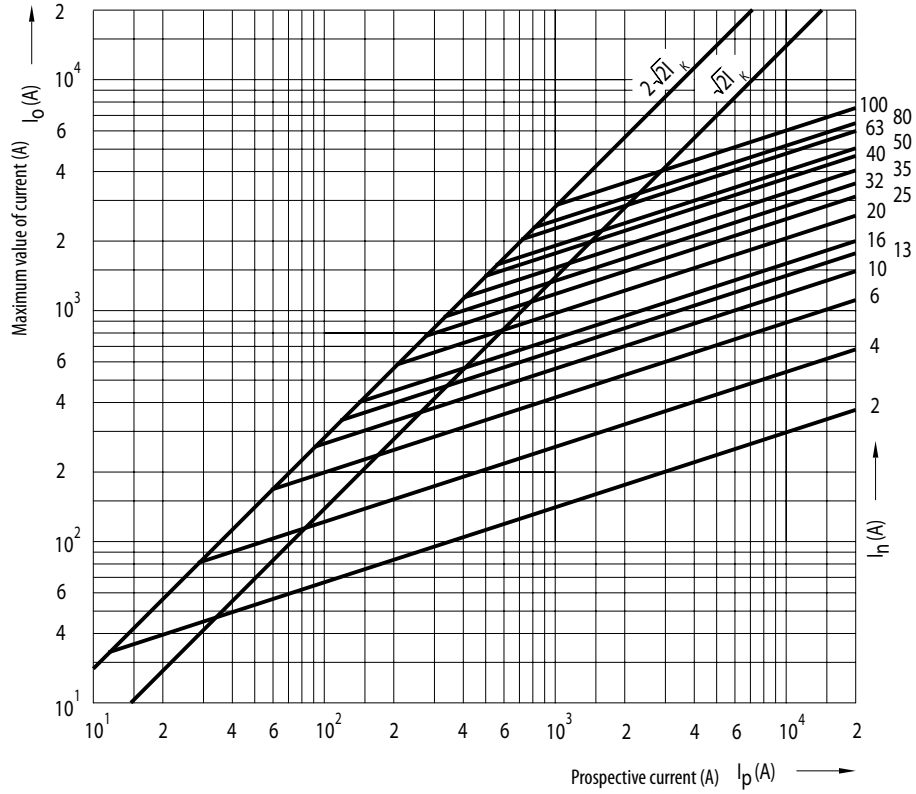


D03 gG for fuse base M 30 x 2

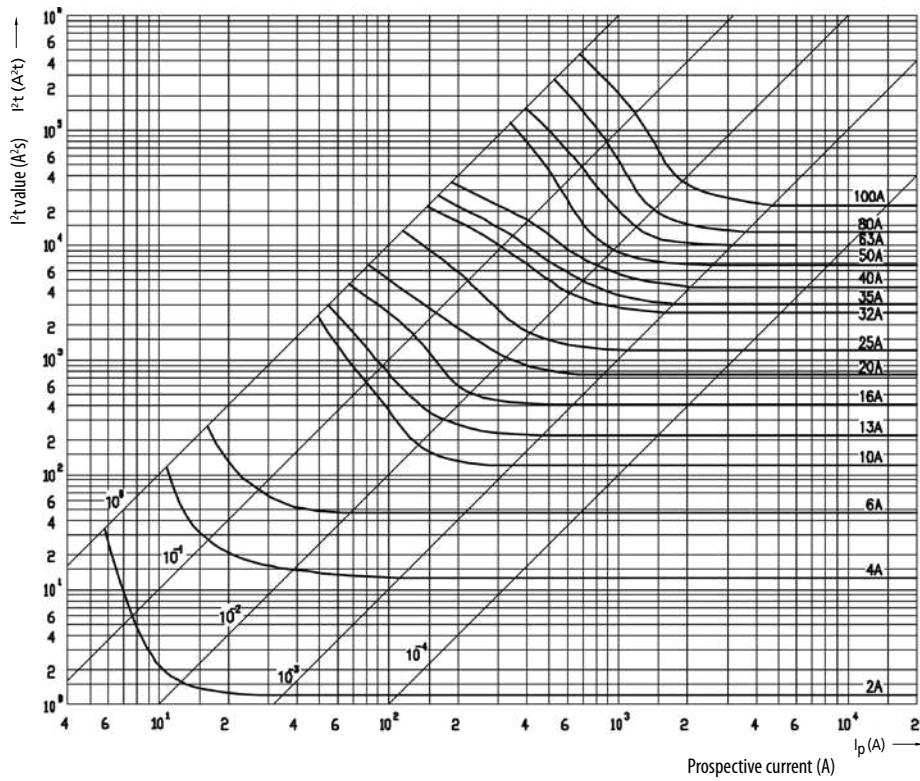
I_n [A]	dimension $\varnothing A$
80	21,4
100	21,4



Cut-off current characteristics



Melting energy characteristics I^2t



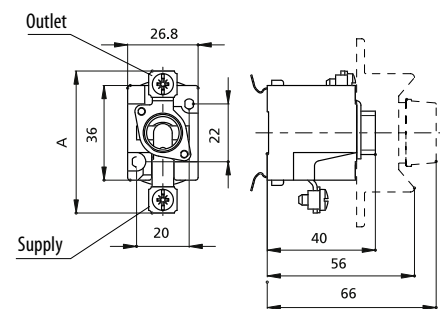
Ceramic fuse base

Technical data

Rated voltage U_n	400 V a.c.
Rated current I_n	D01 16 A, D02 63 A
Cross-section of connecting lead	D01 1 - 4 mm ² D02 1,5 - 25 mm ²
Connection clamp	with screw +- PZ
Standards	IEC 60269, EN 60269, DIN VDE 0636, SIST EN 60269

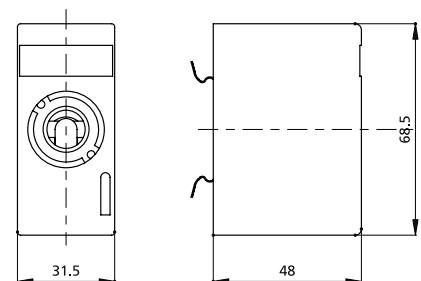
1-pole fuse base D0

type	connections		cross-section of connecting lead [mm ²]	dimension A [mm]
	outlet	supply		
D01N - K			1,5 - 4	53
D01V - K			1,5 - 4	53
D02N - K			2,5 - 25	57
D02V - K			2,5 - 25	57
D02N M5 - K			2,5 - 25	57
D02V M5 - K			2,5 - 25	57
D01N			1,5 - 4	53
D01V			1,5 - 4	53
D02N			2,5 - 25	57
D02V			2,5 - 25	57
D02N M5			2,5 - 25	57
D02V M5			2,5 - 25	57



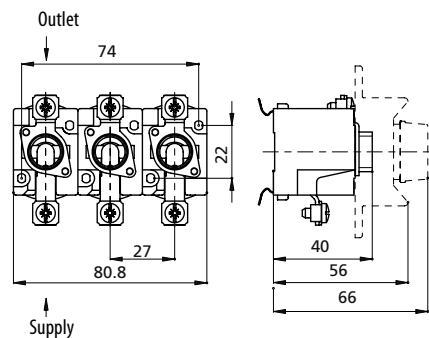
1-pole fuse base D0 - U

type	connections		cross-section of connecting lead [mm ²]
	outlet	supply	
D01 U			1,5 - 4
D02 U			2,5 - 25

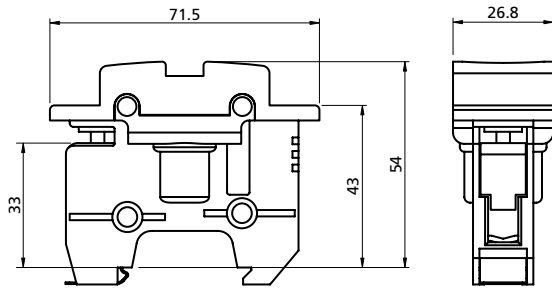


3-pole fuse base D0

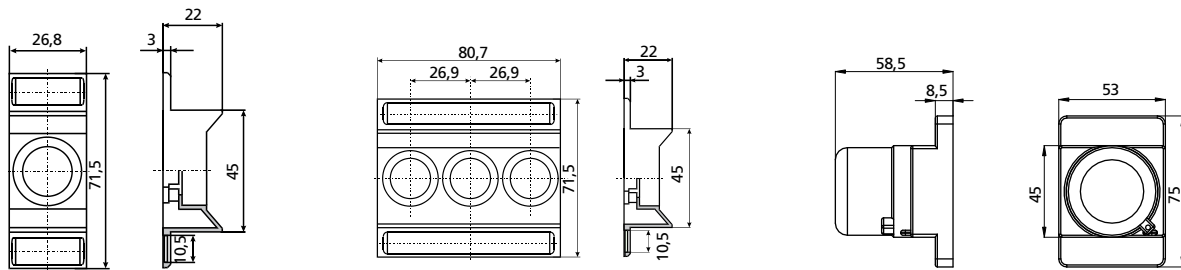
type	connections		cross-section of connecting lead [mm ²]	dimension A [mm]
	outlet	supply		
D01N/3 - K			1,5 - 4	53
D01V/3 - K			1,5 - 4	53
D02N/3 - K			2,5 - 25	57
D02V/3 - K			2,5 - 25	57
D02N/3 M5 - K			2,5 - 25	57
D02V/3 M5 - K			2,5 - 25	57
D01N/3			1,5 - 4	53
D01V/3			1,5 - 4	53
D02N/3			2,5 - 25	57
D02V/3			2,5 - 25	57
D02N/3 M5			2,5 - 25	57
D02V/3 M5			2,5 - 25	57



Plastic fuse base PPD01 and PPD02



Protection cover



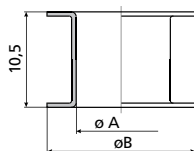
D01, D02

D01/3, D02/3

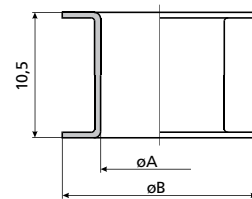
Protection cover with sealing fuse carrier for fuse base D01

Gauge piece

V D01 for fuse base E 14		
I_n [A]	dimension	
	$\varnothing A$	$\varnothing B$
2	7,9	12
4	7,9	12
6	7,9	12
10	9,1	12

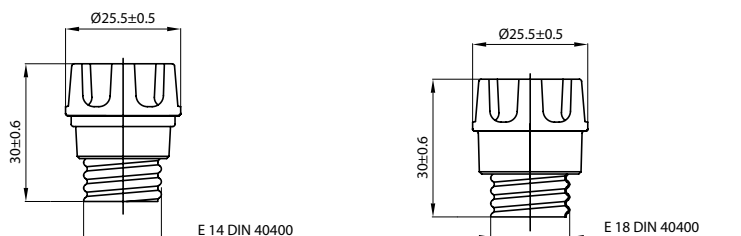


V D02 for fuse base E 18		
I_n [A]	dimension	
	$\varnothing A$	$\varnothing B$
2*	7,9	16,6
4*	7,9	16,6
6*	7,9	16,6
10*	9,1	16,6
16*	10,3	16,6
20	11,5	16,6
25	12,7	16,6
35	13,9	16,6
50	15,1	16,6



*For using fuse-links D01 and fuse bases D02.

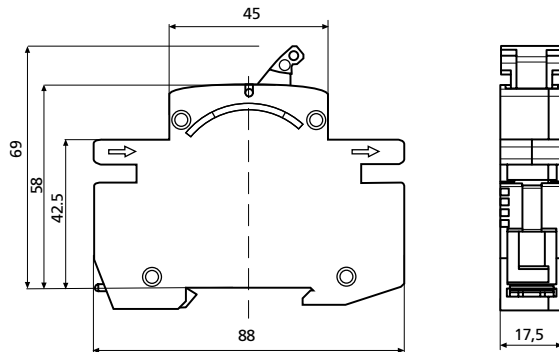
Fuse carrier D0



E 14 DIN 4040

E 18 DIN 4040

Fuse - switch disconnecter VLD01



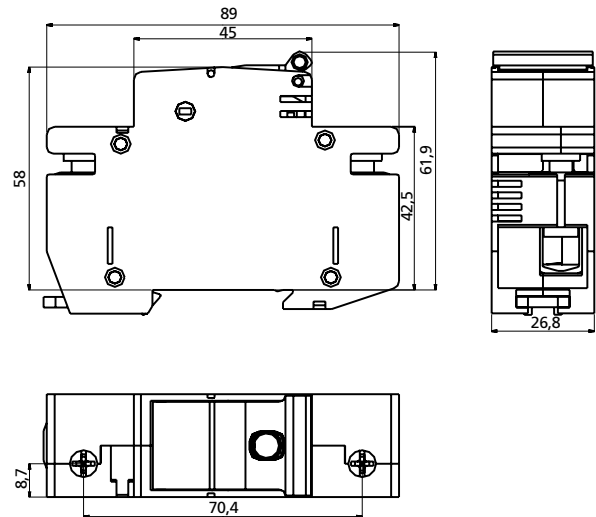
Technical data:

Rated voltage U_n	230 V, 230/400 V, 400 V a.c.
Rated current I_n	2-6 A, 10 A, 16 A
Rated frequency f_n	45-62 Hz
Utilization category	AC22
Mechanical life	10.000 cycles
Electrical life	5.000 cycles
Poles	1p, 1p+N, 2p, 3p, 3p+N
Standards	VDE 0638, DIN 43880
Connection	25 mm ²

Switch - disconnecter - fuse STVD02

Technical data:

Standards	VDE 0638 EN 60 947-3, DIN VDE 0113, DIN VDE 0110
Number of poles	1p, 1p+N, 2p, 3p, 3p+N
Rated voltage	230/400 V a.c., 110 V (2p) d.c.
Rated breaking capacity	50 kA
Rated insulation voltage	400 V
Rated impulse resistance voltage	6000 V
Category of use according to DIN VDE 0638	AC 22(63 A), AC 23(35 A), DC 22 (63 A)
Category of use according to DIN E 60 947-3	AC-22A (63A/400V a.c.), AC-23A (35A/400V a.c.), DC-22B (63A/110V d.c.)
Mechanical life	1.500 cycles
Electrical life	8.000 cycles
Temperature of environment	-5°C to +40°C
Air humidity	90%
Degree of protection	IP 00 according to DIN 40 050
Connection clamps	Up to 35 mm ² (multiwire conductor) with screw +/-
Possibility of sealing	in ON or OFF position



Auxiliary switch PS STV

Technical data:

Rated current I_n	AC12 (6A/230V a.c.) DC12 (1A/110V d.c.)
Rated conditional short circuit current	1 kA at 20 A fuse link
Standards	EN 62019

